

[54] **HAIR STYLER ATTACHMENT**

[75] Inventors: **Morison S. Cousins**, Plainview;
Michael A. Cousins, Huntington,
both of N.Y.; **Greydon A. Rhodes**,
III, Noroton, Conn.

[73] Assignee: **The Gillette Company**, Boston, Mass.

[**] Term: **14 Years**

[21] Appl. No.: **660,621**

[22] Filed: **Feb. 23, 1976**

[51] Int. Cl. **D28-03**

[52] U.S. Cl. **D26/18**

[58] Field of Search **D86/10 A, 10 F, 8;**
132/7, 9, 11 R, 11 A, 118, 148, 161, DIG. 7;
34/96-98, 101

[56] **References Cited**

U.S. PATENT DOCUMENTS

2,450,448 10/1948 Sawyer D86/8 X
3,903,905 9/1975 Tucker 132/9

OTHER PUBLICATIONS

The Washington Post Thursday, May 8, 1975, p. C7--
Sears Styler-Dryer Comb Attachments.

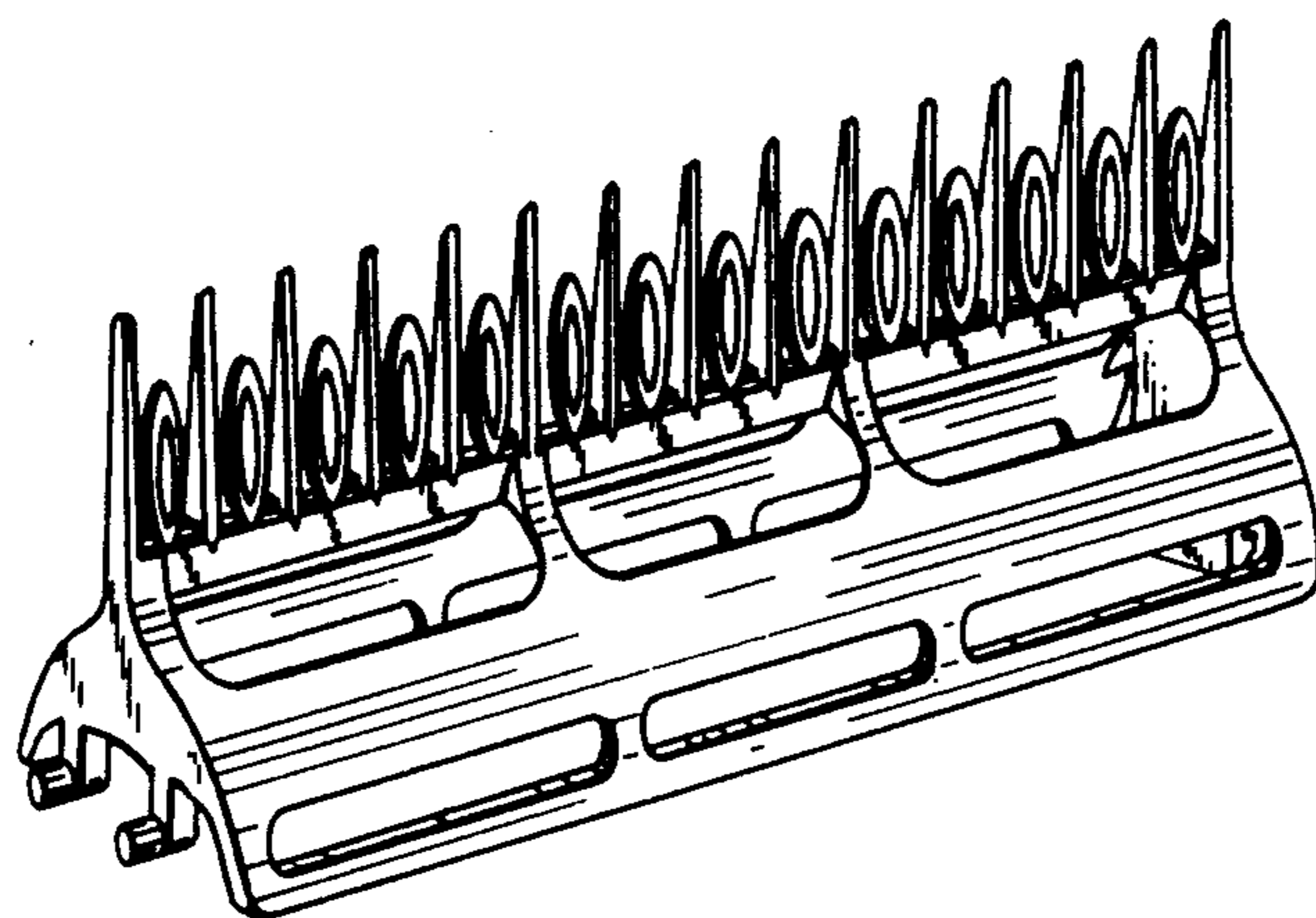
Primary Examiner—Joel Stearman
Assistant Examiner—Louis S. Zarfes
Attorney, Agent, or Firm—Richard A. Wise

[57] **CLAIM**

The ornamental design for a hair styler attachment, as shown.

DESCRIPTION

FIG. 1 is a front elevational view of a hair styler attachment showing our new design;
FIG. 2 is a right end elevational view;
FIG. 3 is a left end elevational view;
FIG. 4 is a bottom plan view;
FIG. 5 is a top plan view; and
FIG. 6 is a perspective view.



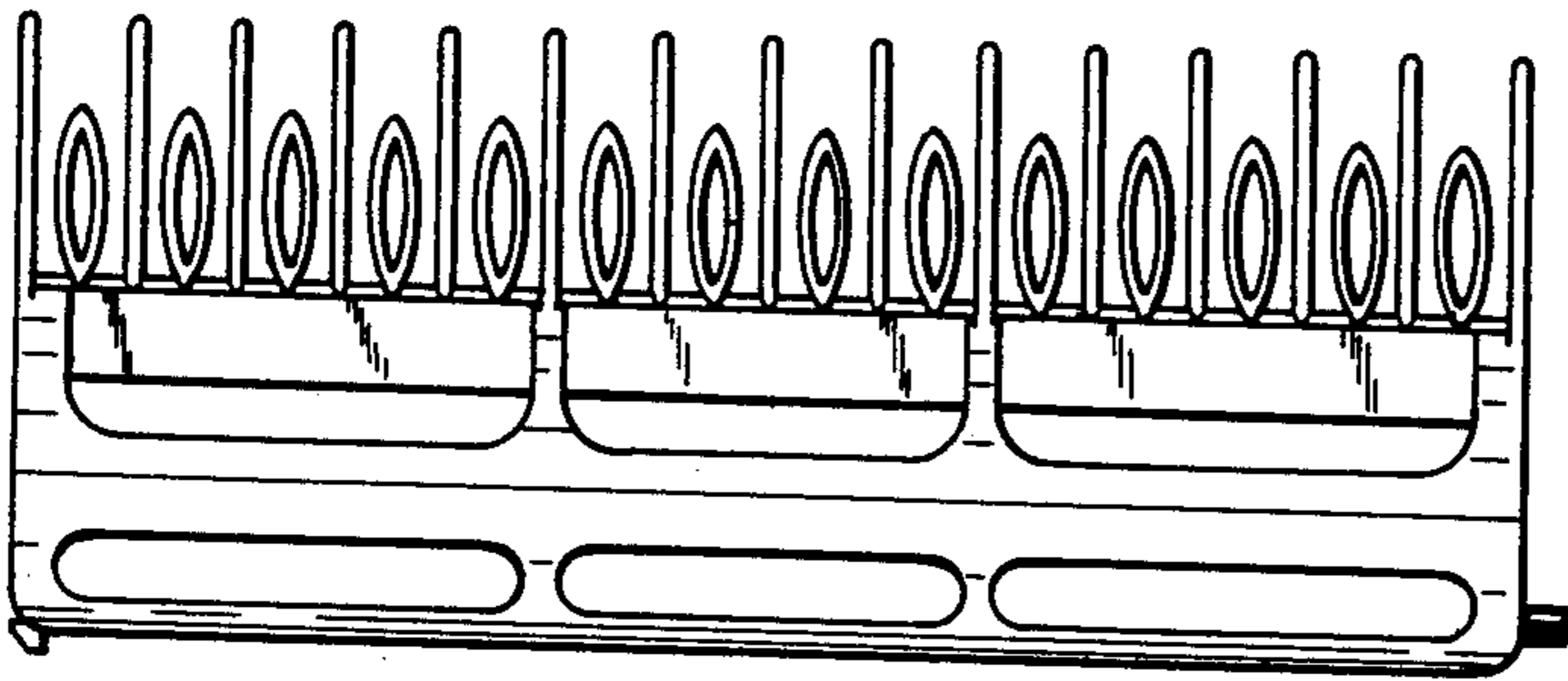


FIG. 1

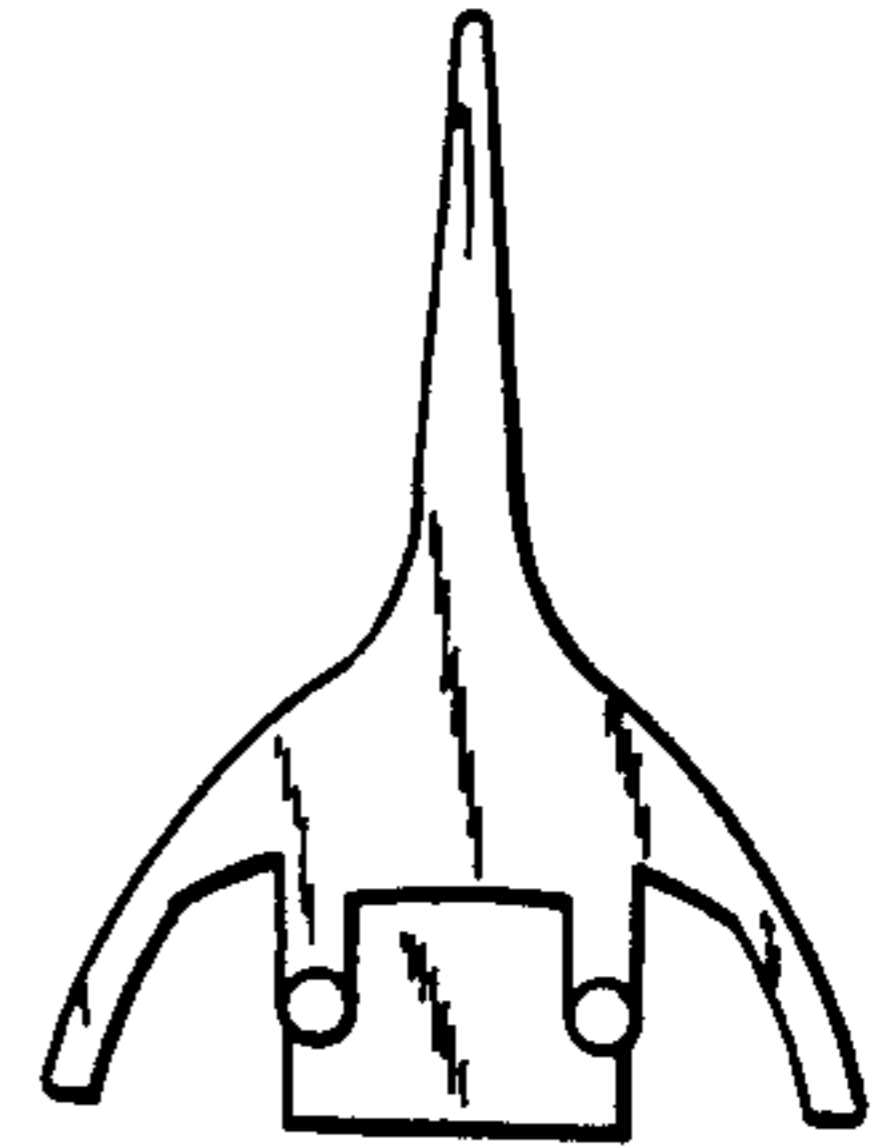


FIG. 2

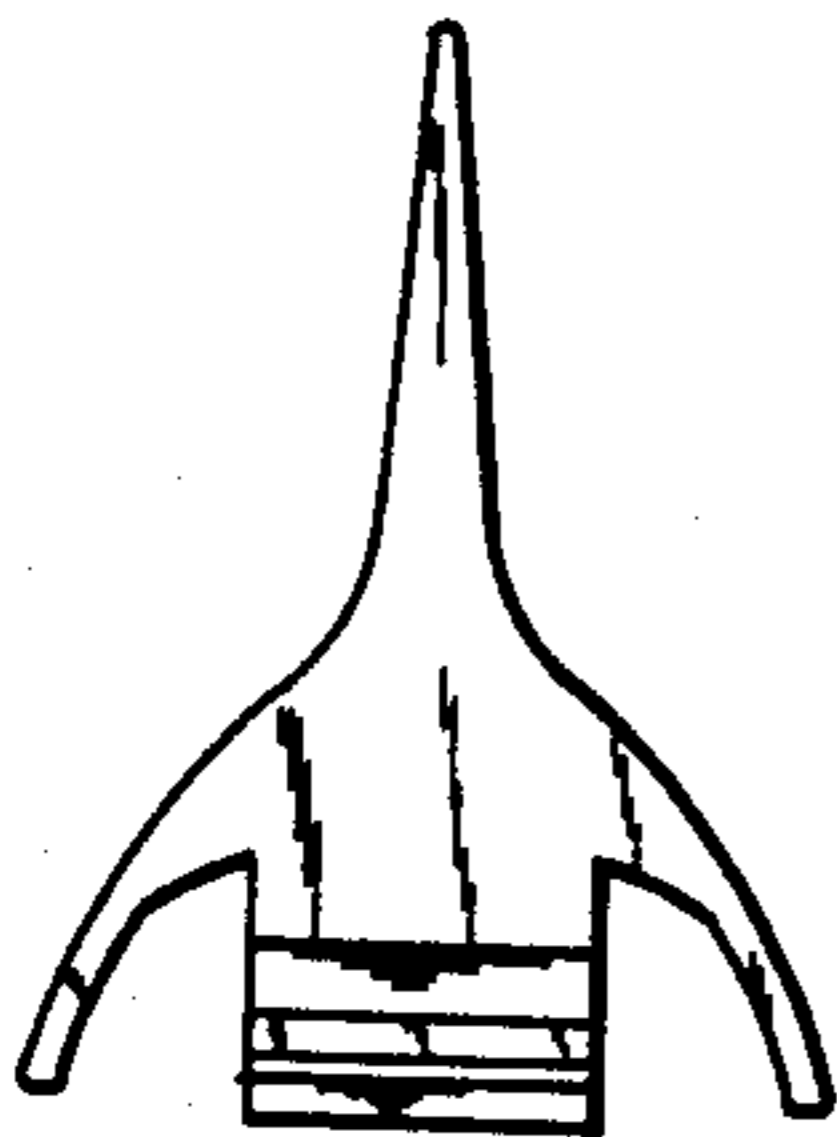


FIG. 3

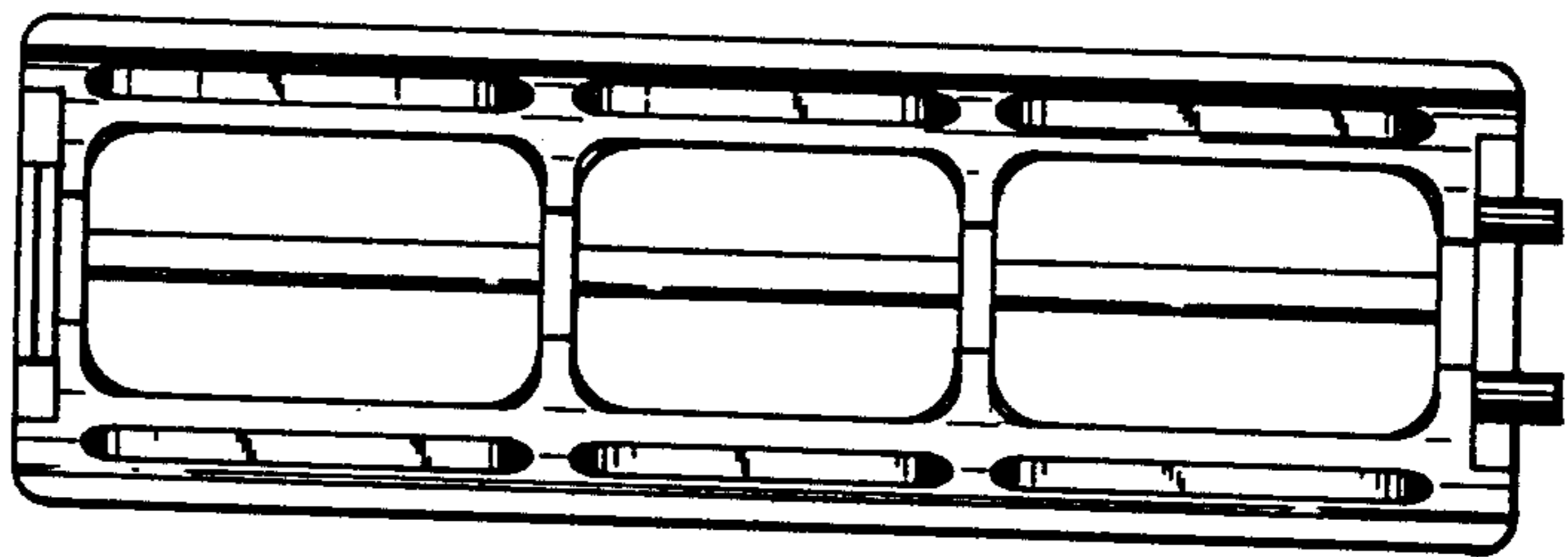


FIG. 4

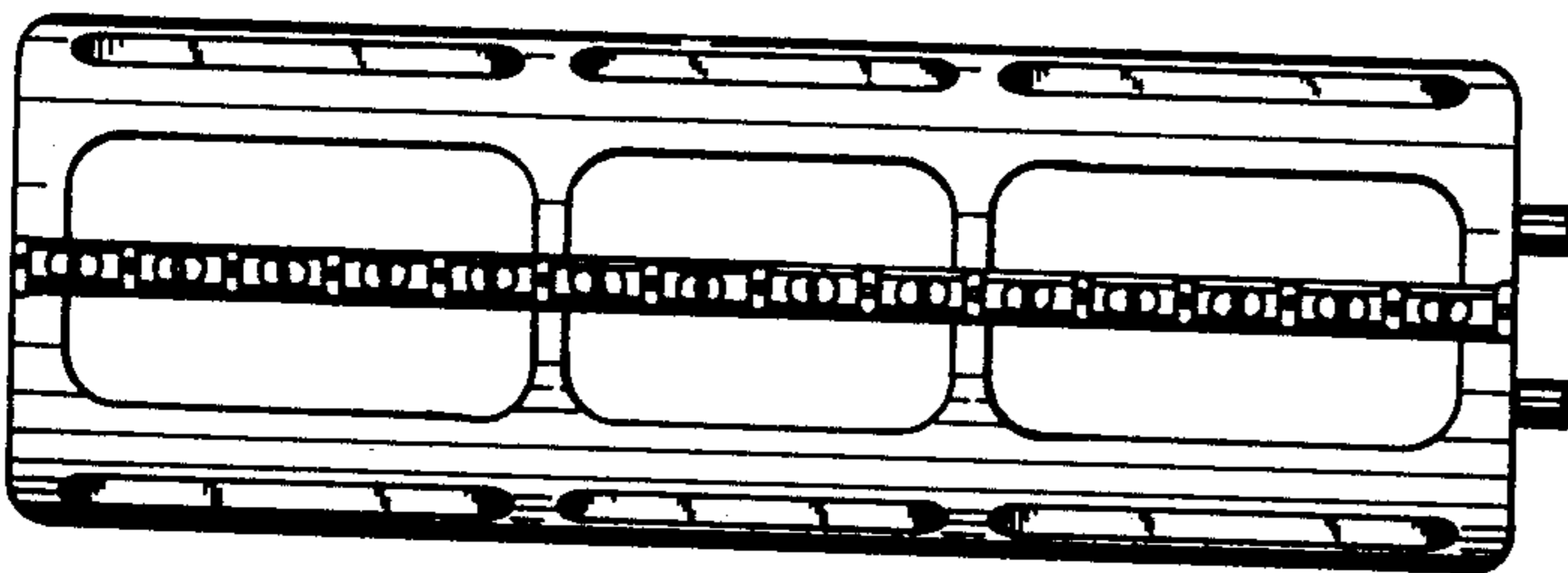


FIG. 5

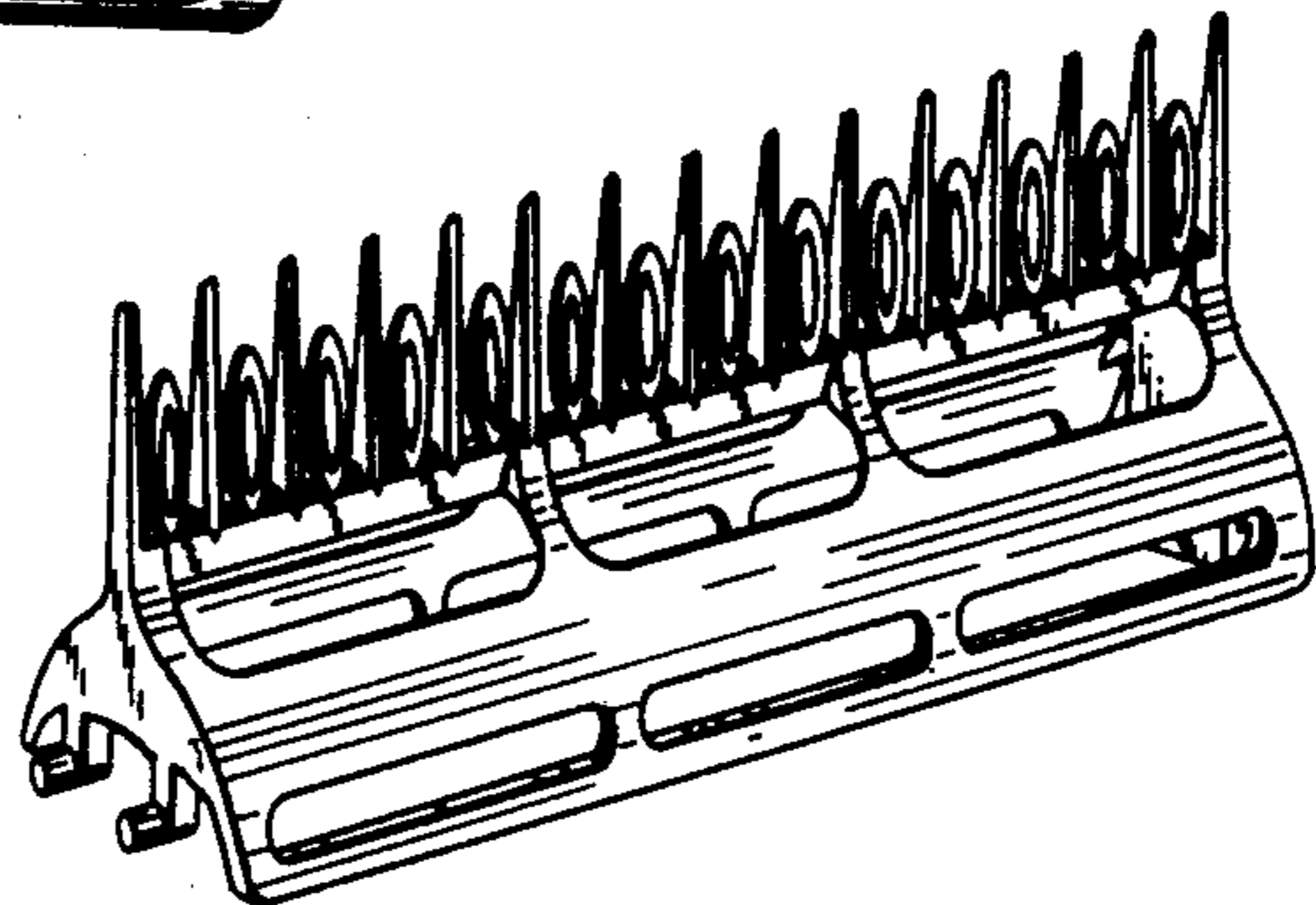


FIG. 6