

[54] PAINT CONTAINER

[76] Inventor: Joseph J. Donlon, 1240 Dauphine St., New Orleans, La. 70116

[\*\*] Term: 14 Years

[21] Appl. No.: 693,914

[22] Filed: June 8, 1976

[51] Int. Cl. .... D8-05

[52] U.S. Cl. .... D64/18

[58] Field of Search ..... D64/18; 15/257.05, 257.06; 206/1.7, 1.8, 1.9; 220/90; 211/65, 126; 248/110

[56] References Cited

U.S. PATENT DOCUMENTS

315,195	4/1885	Weiss .....	15/257.05
3,252,613	5/1966	McGrath .....	15/257.05 X
3,940,824	3/1976	Gioia et al. ....	15/257.06

D. 202,134 8/1965 Bryan ..... D64/18  
D. 212,563 10/1968 Tidwell ..... D64/18

Primary Examiner—Wallace R. Burke  
Assistant Examiner—Catherine Kemper  
Attorney, Agent, or Firm—C. Emmett Pugh

[57] CLAIM

The ornamental design for a paint container, as shown and described.

DESCRIPTION

FIG. 1 is a front, perspective view of a paint container, showing my new design;

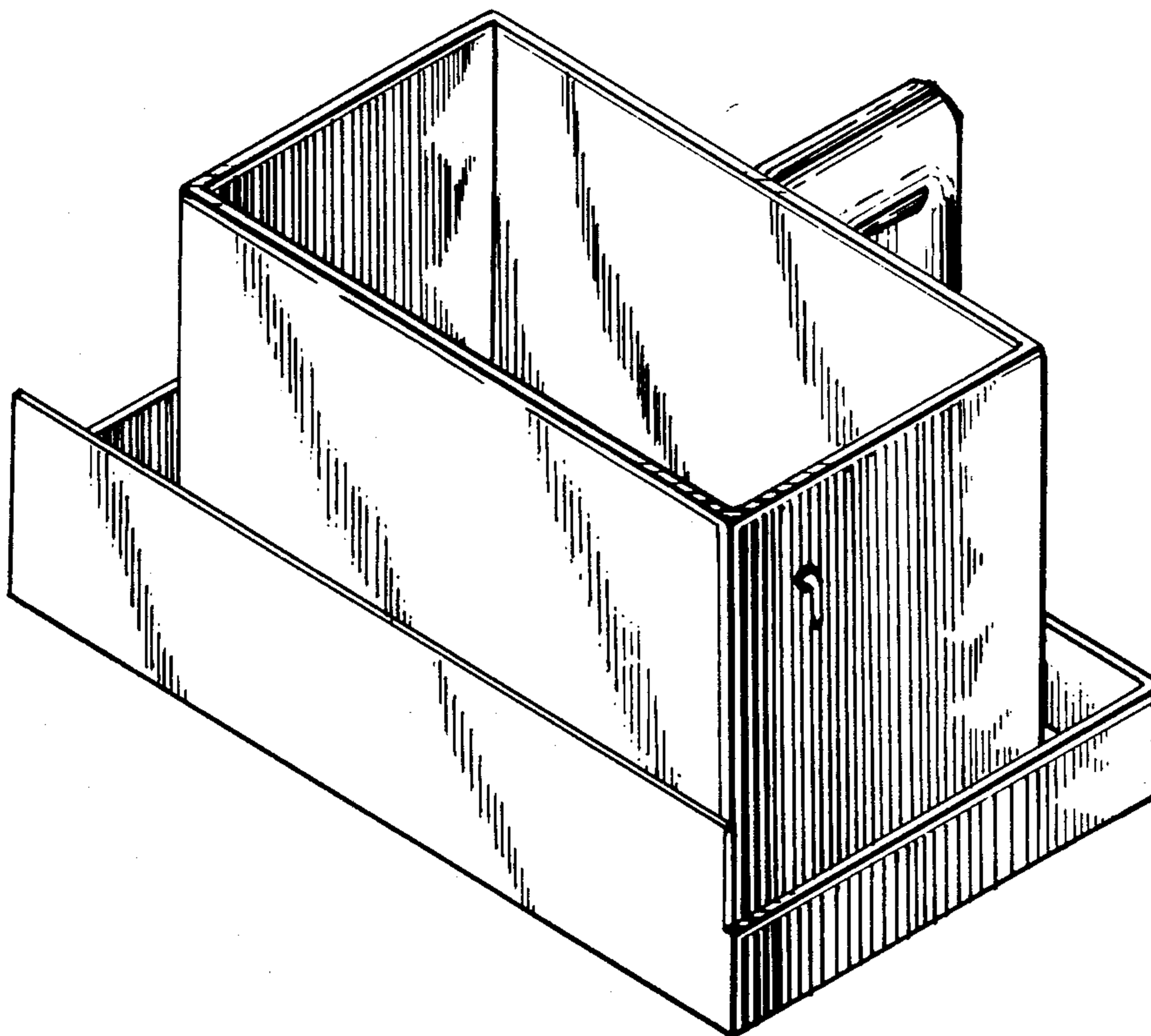
FIG. 2 is a rear, perspective view thereof;

FIG. 3 is a top, plan view thereof, shown on a smaller scale;

FIG. 4 is a front, elevational view thereof;

FIG. 5 is a left side elevational view, the opposite side being a mirror image thereof; and

FIG. 6 is a rear elevational view thereof.



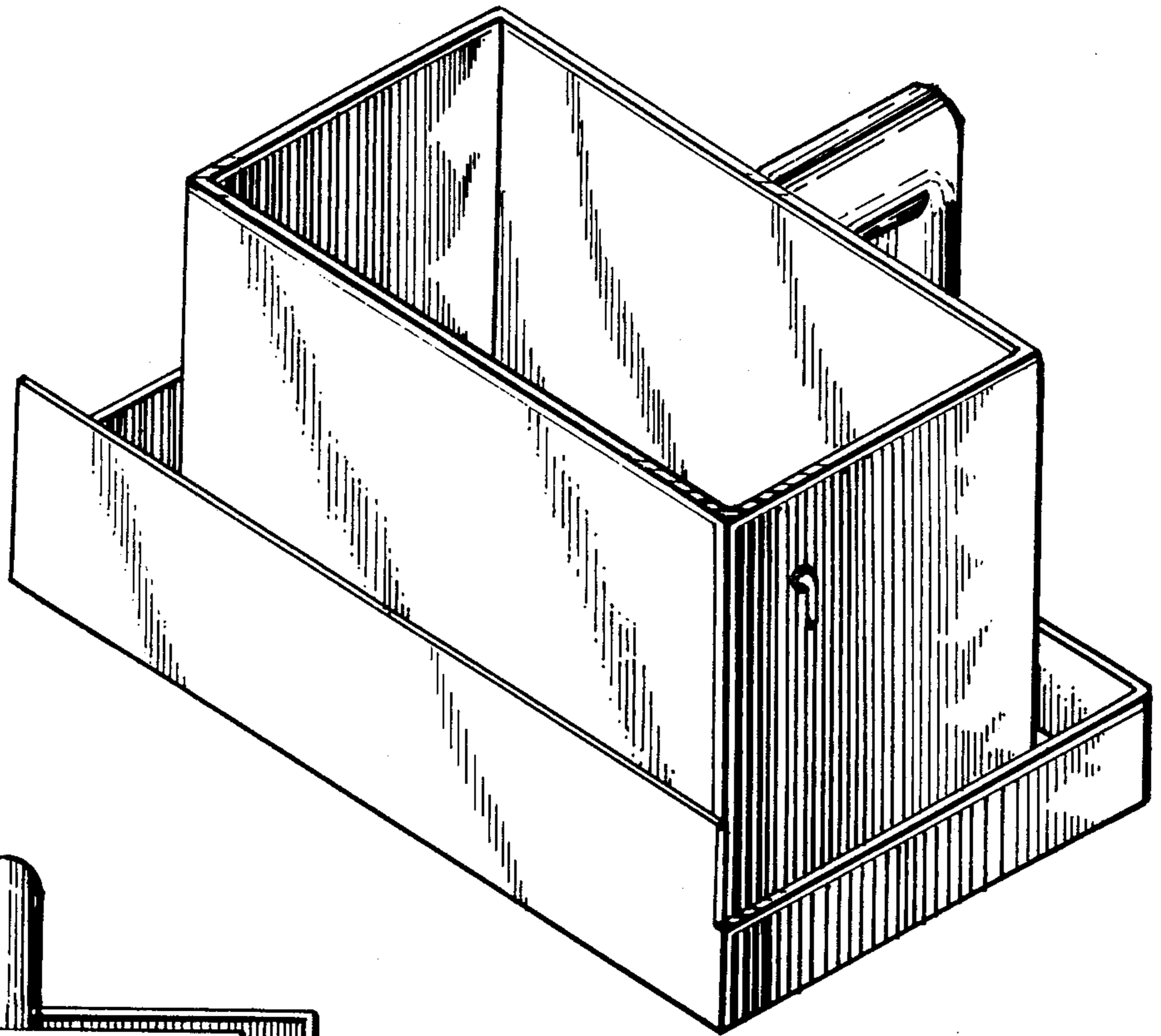


FIG. 1.

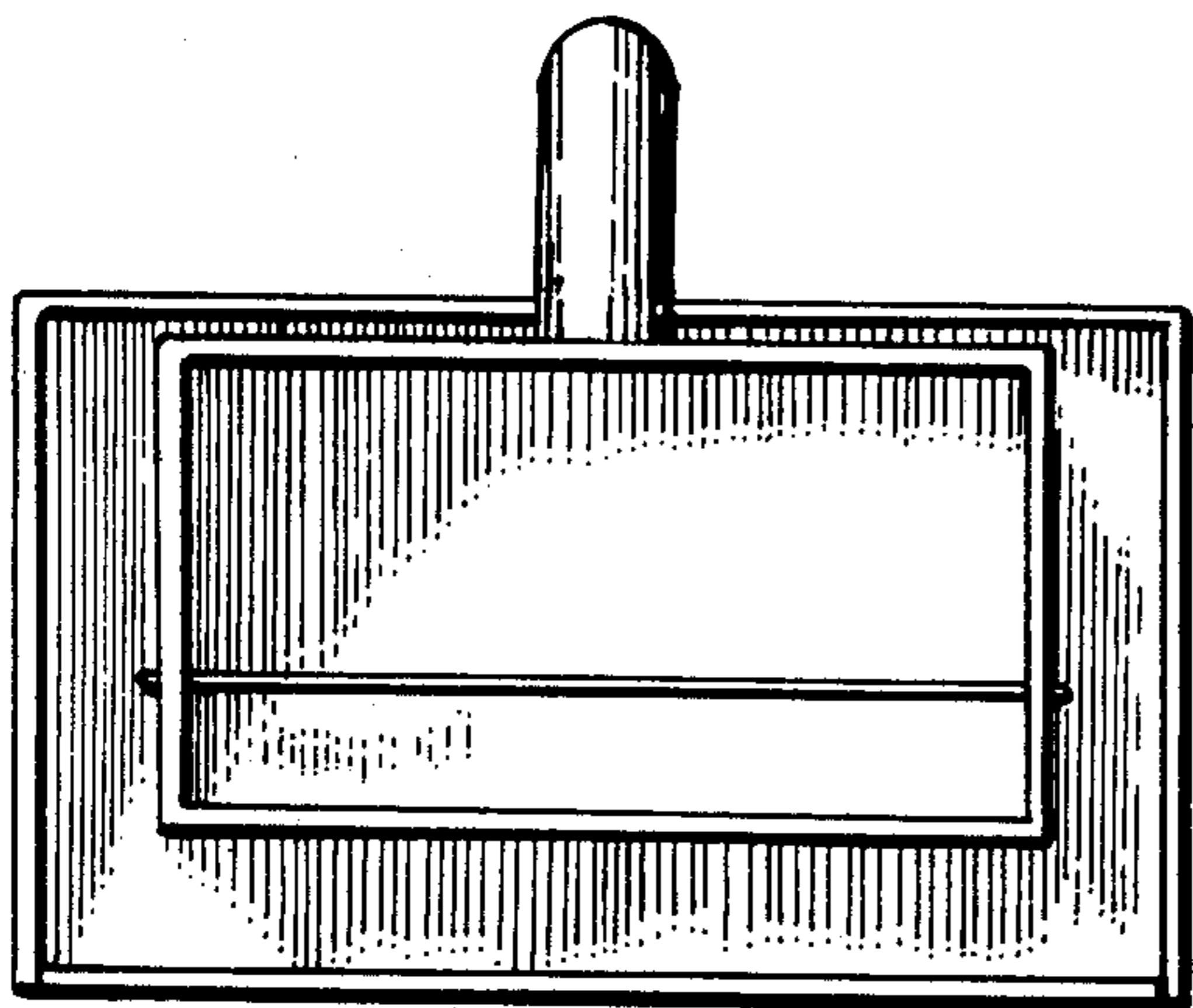


FIG. 3.

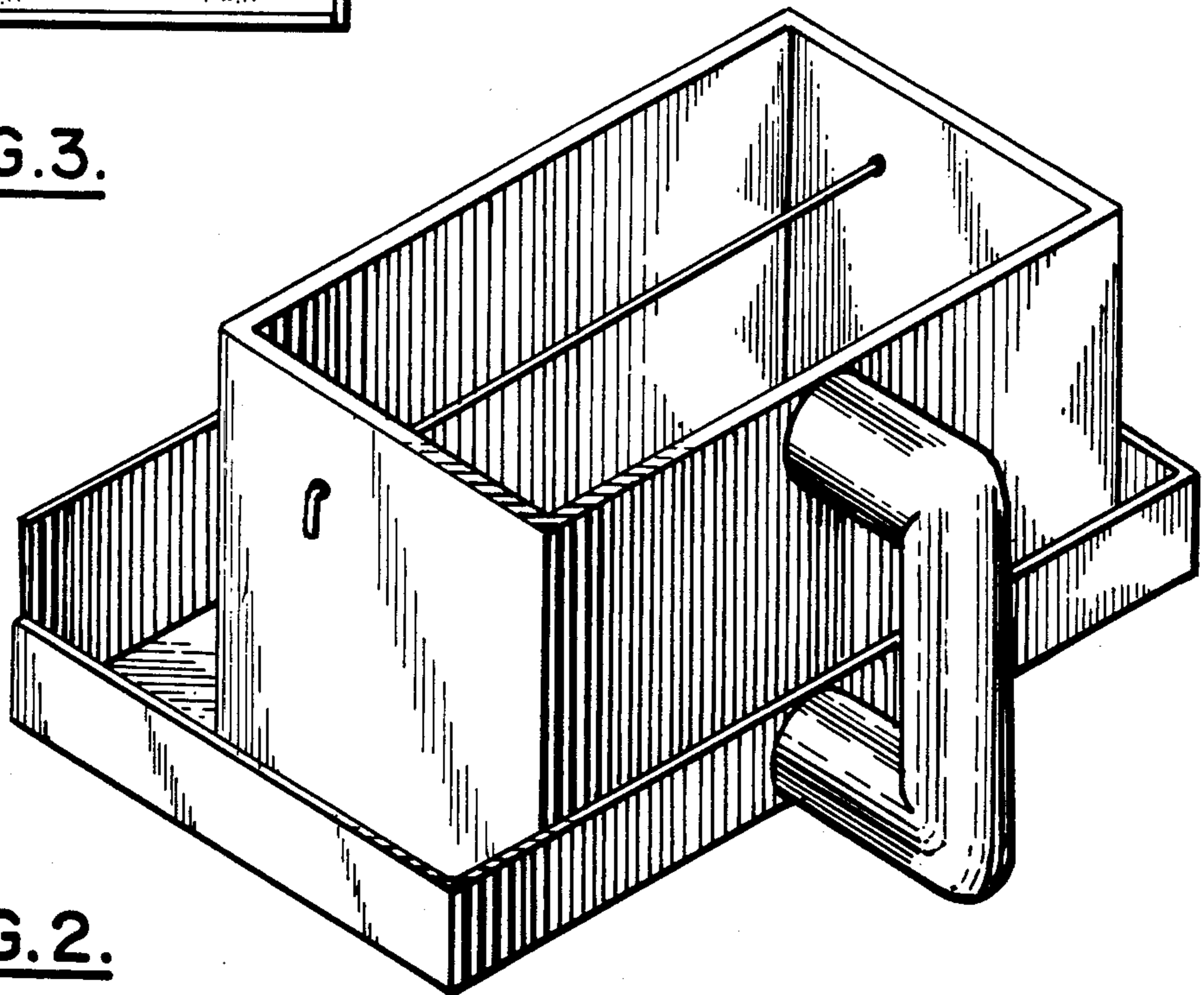


FIG. 2.

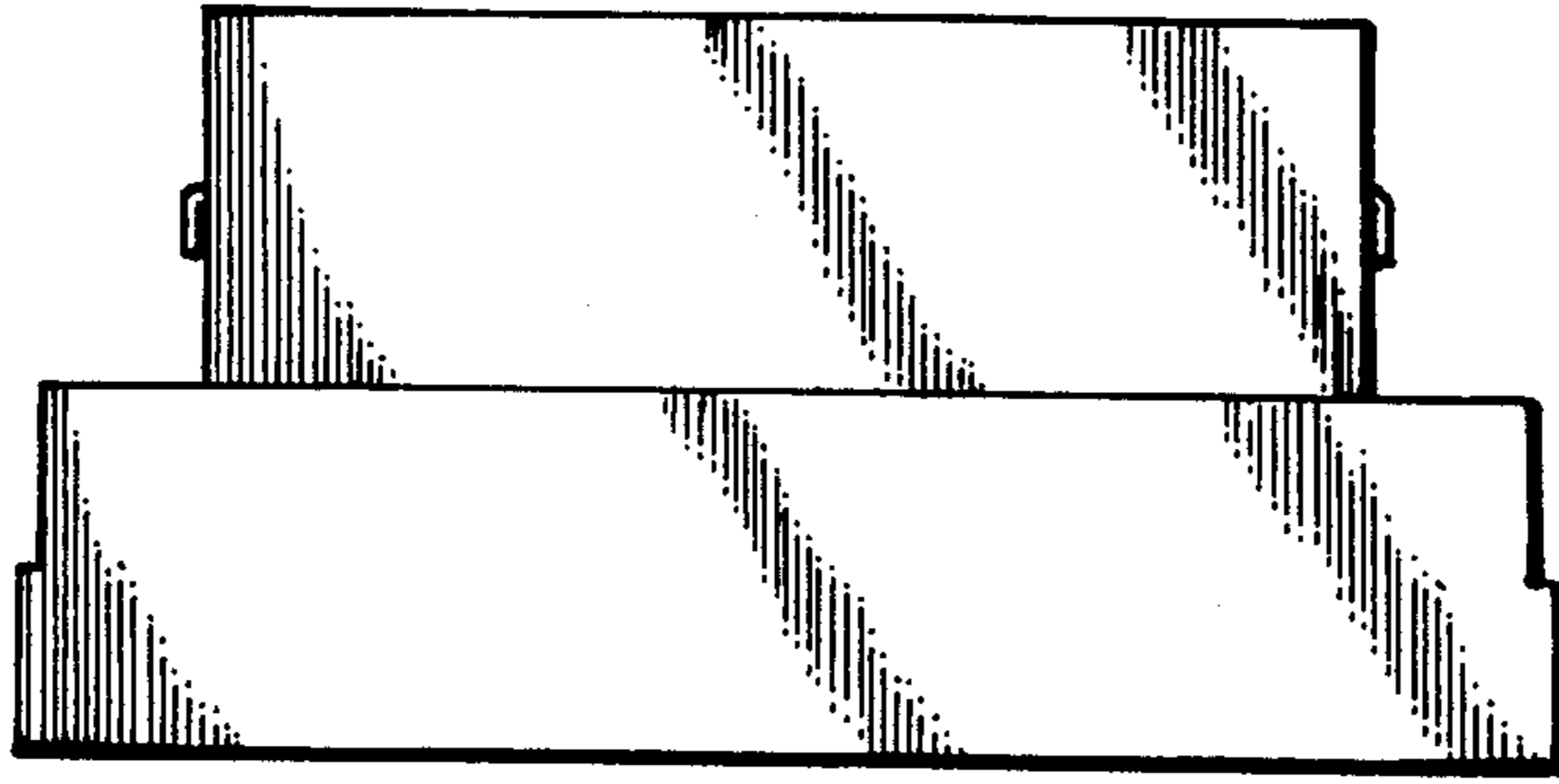


FIG. 4.

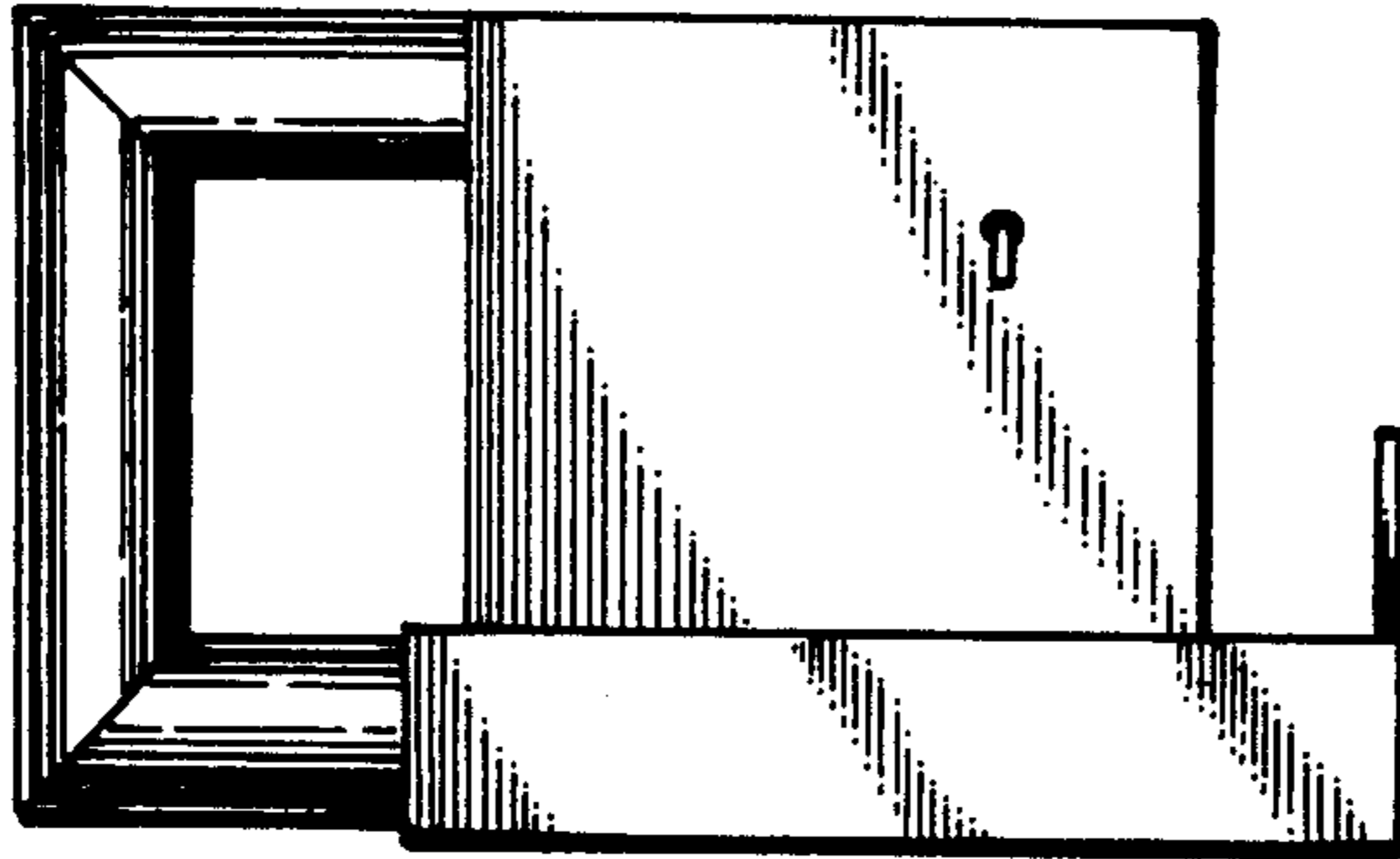


FIG. 5.

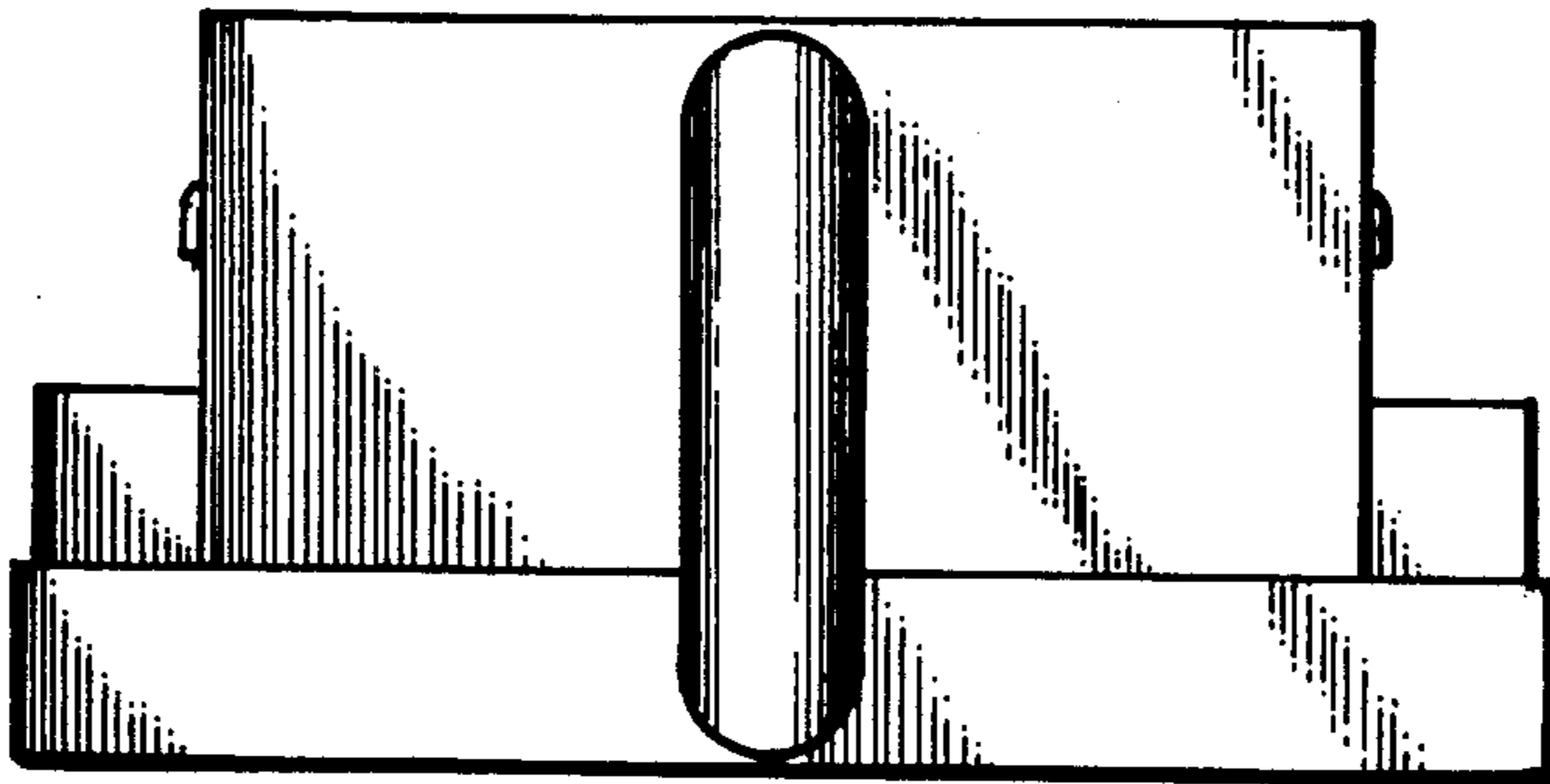


FIG. 6.