

[54] TRAILER LIGHT INDICATOR

[76] Inventor: Richard J. Wright, 7054 Bothwell Road, Reseda, Calif. 91335

[\*\*] Term: 14 Years

[21] Appl. No.: 635,960

[22] Filed: Nov. 28, 1975

[51] Int. Cl. .... D26-06

[52] U.S. Cl. .... D48/32 D

[58] Field of Search ..... D48/32 R, 32 D;  
240/8.4, 8.41; 248/65, 309, 200; D34/15 FF, 15  
GG, 5 CH

[56] References Cited

U.S. PATENT DOCUMENTS

1,696,904 1/1929 Culver ..... 240/84

FOREIGN PATENT DOCUMENTS

39,091 7/1928 Denmark ..... 240/8.4

OTHER PUBLICATIONS

Gifts & Decorative Accessories, Sept. 1970, p. 59, Lucite Chess Piece (back row, 2nd from left).

Simmons Hardware Co. Catalog, 1939, p. 1369, Wagon Stake Iron No. AB 75.

Primary Examiner—Susan J. Lucas

Attorney, Agent, or Firm—Joseph H. Golant

[57] CLAIM

The ornamental design for a trailer light indicator as shown and described.

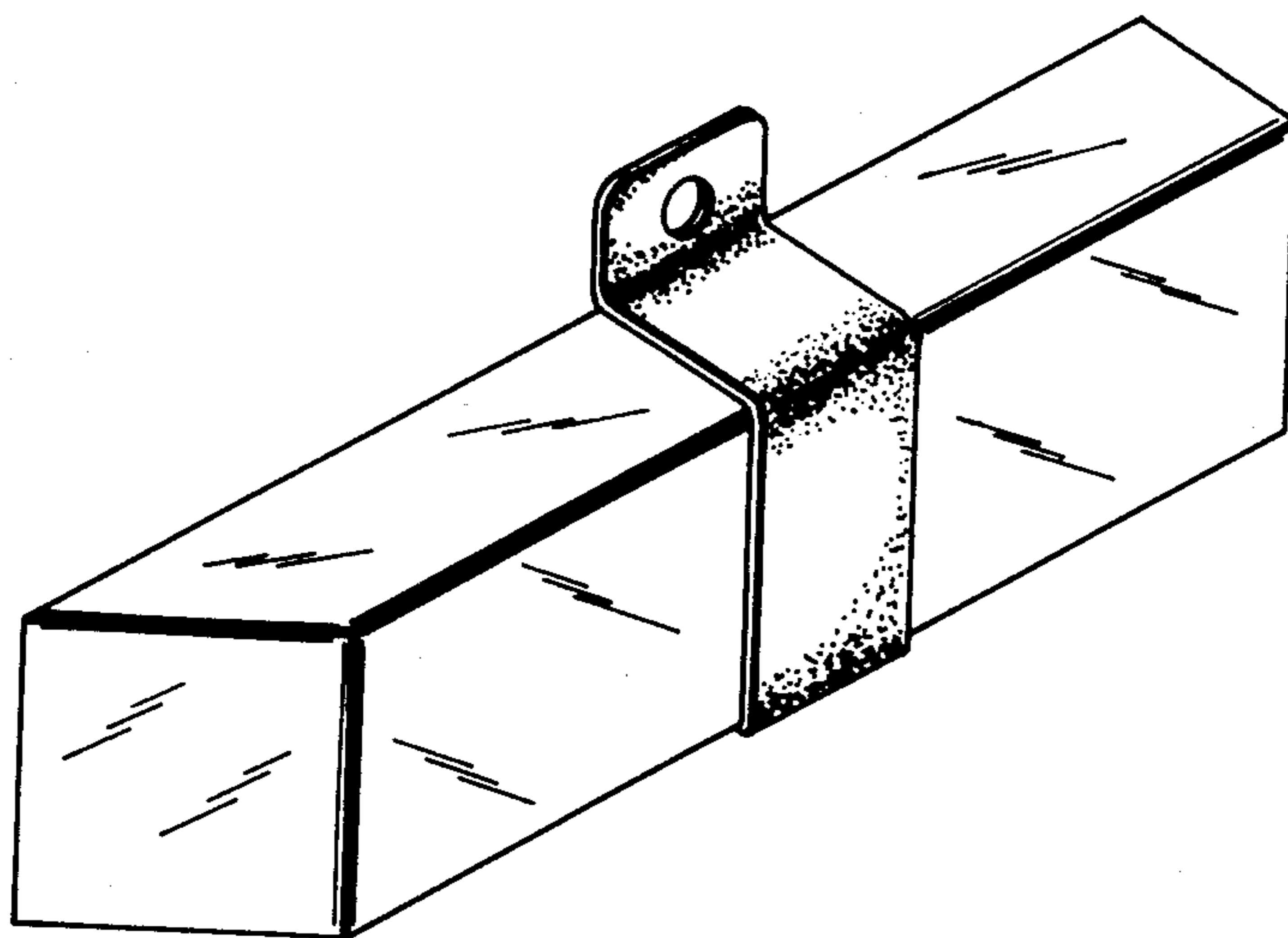
DESCRIPTION

FIG. 1 is an isometric view of a trailer light indicator showing my new design;

FIG. 2 is a bottom plan view;

FIG. 3 is a front elevation view; and

FIG. 4 is a rear isometric view.



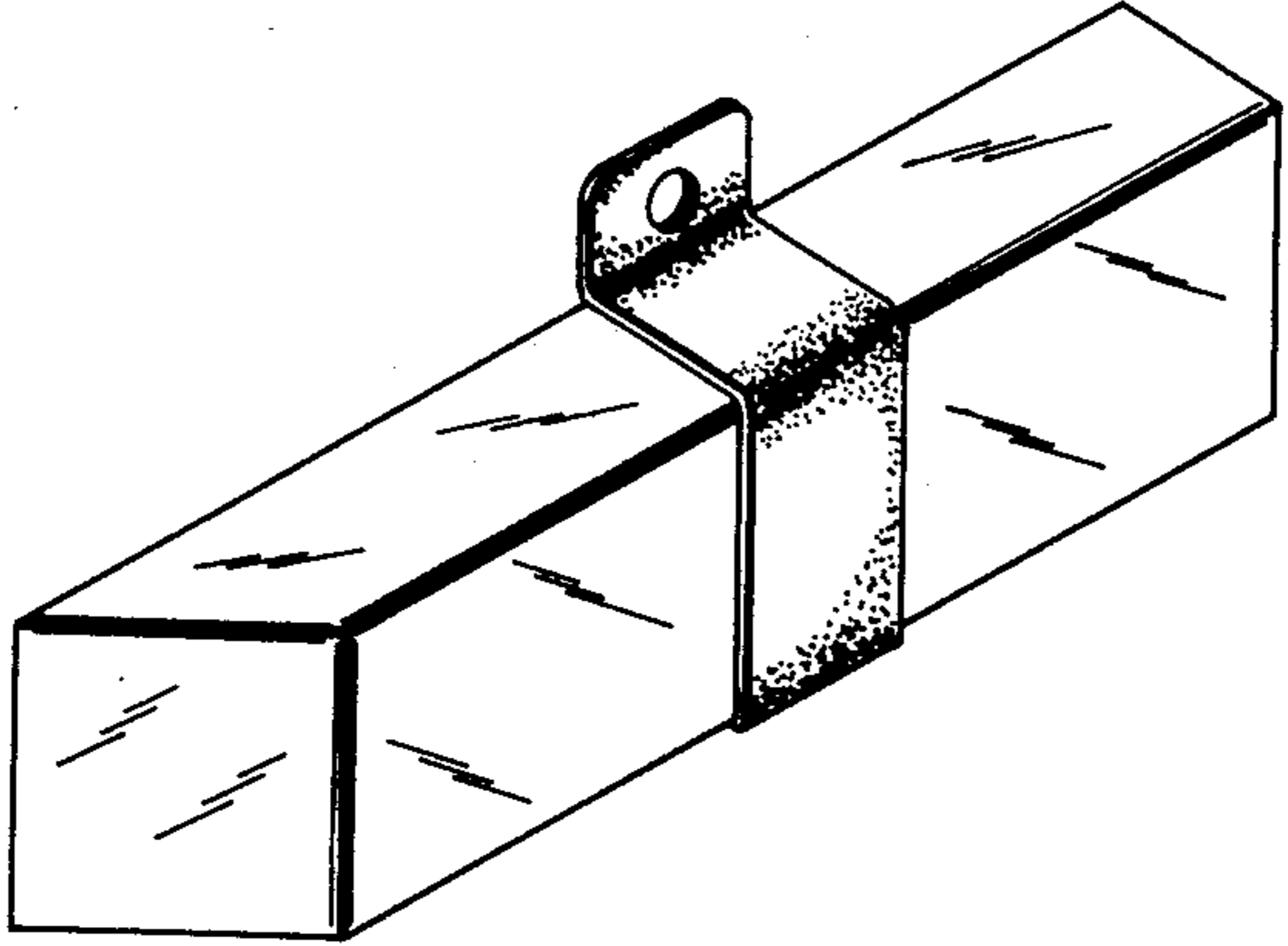


FIG. 1

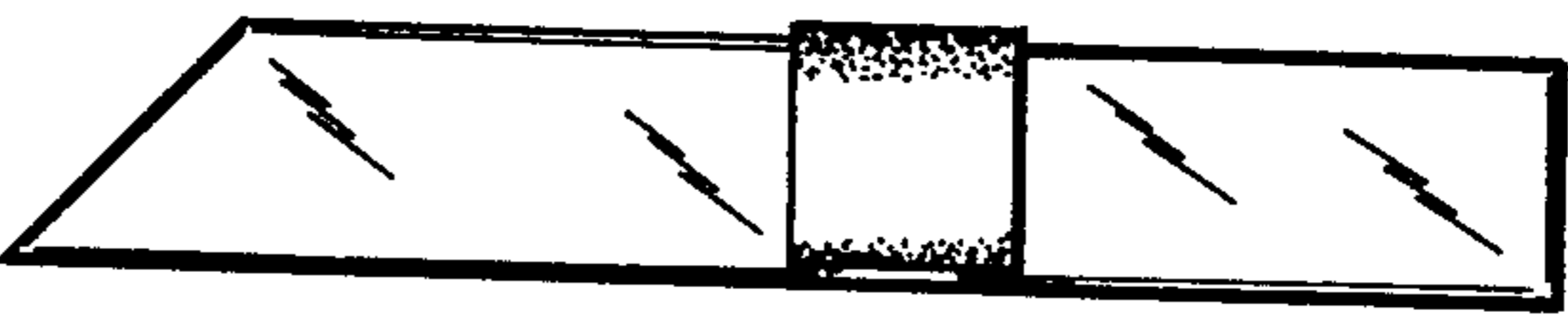


FIG. 2

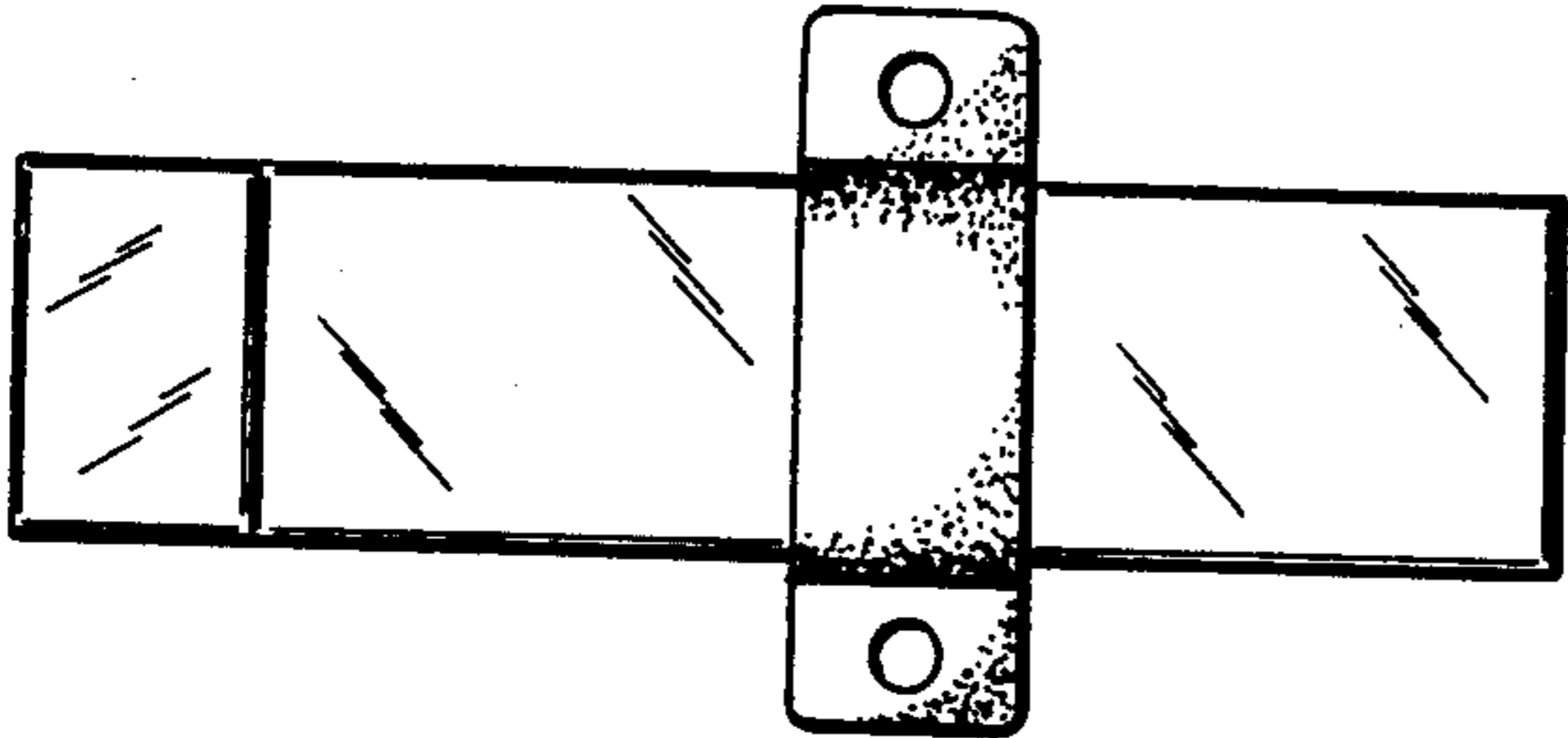


FIG. 3

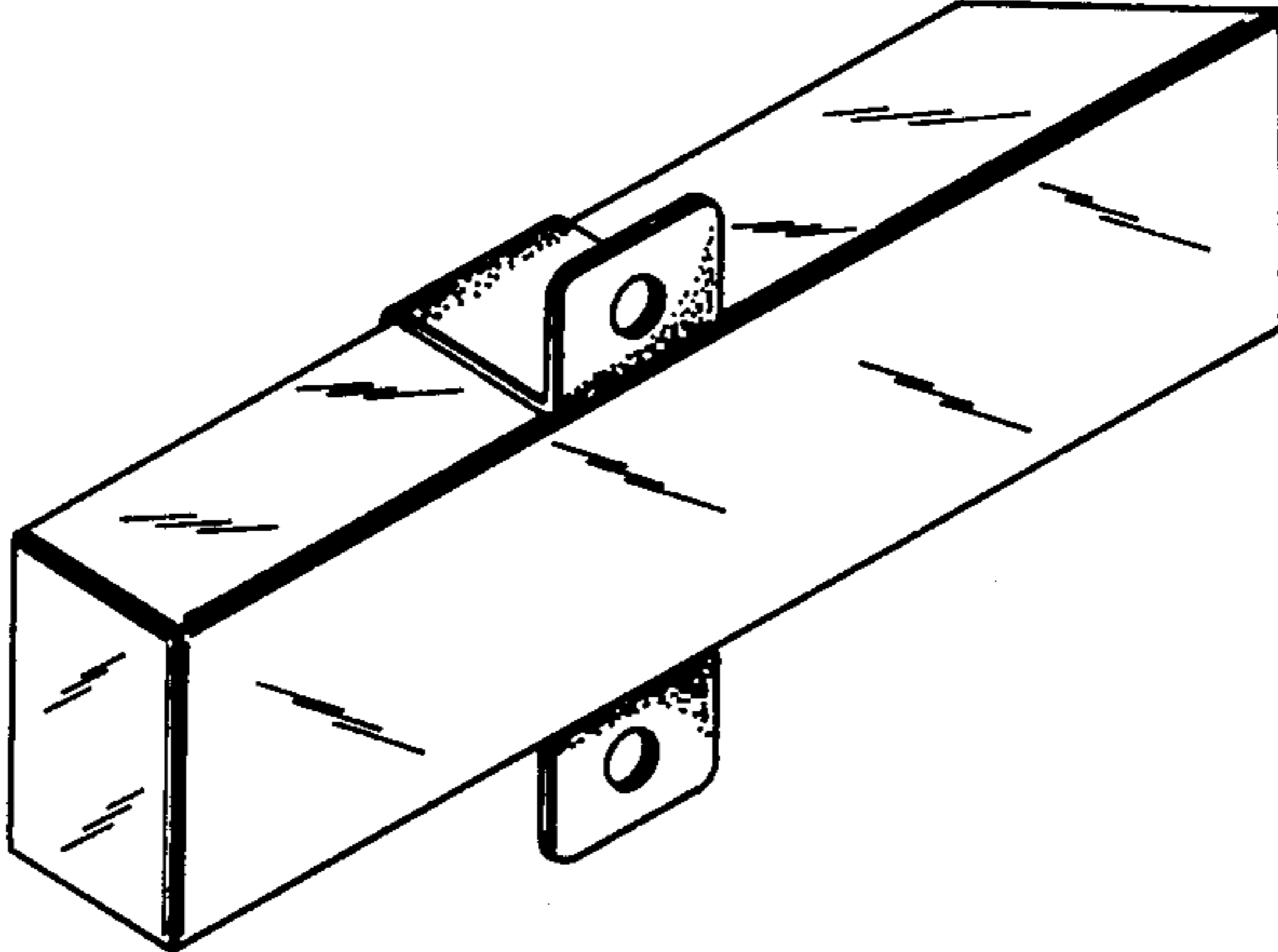


FIG. 4