

[54] TOY CAMERA TRUCK

[75] Inventor: Matthew A. Moustakas, Mercerville, N.J.

[73] Assignee: CBS Inc., New York, N.Y.

[**] Term: 14 Years

[21] Appl. No.: 662,478

[22] Filed: Mar. 1, 1976

[51] Int. Cl. D21-01

[52] U.S. Cl. D34/15 AJ

[58] Field of Search D34/15 AJ, 15 D, 15 AM, D34/15 AN; 46/103, 105, 201, 202, 204, 206, 210, 211, 212, 213, 222

[56] References Cited

U.S. PATENT DOCUMENTS

1,668,360 5/1928 Fisher D34/15/AJ

OTHER PUBLICATIONS

Mattel Catalog, 1971, p. 29, "Mix'N Make Mobiles". Creative Playthings Catalog, 1969, p. 19, Toy Van At "E".

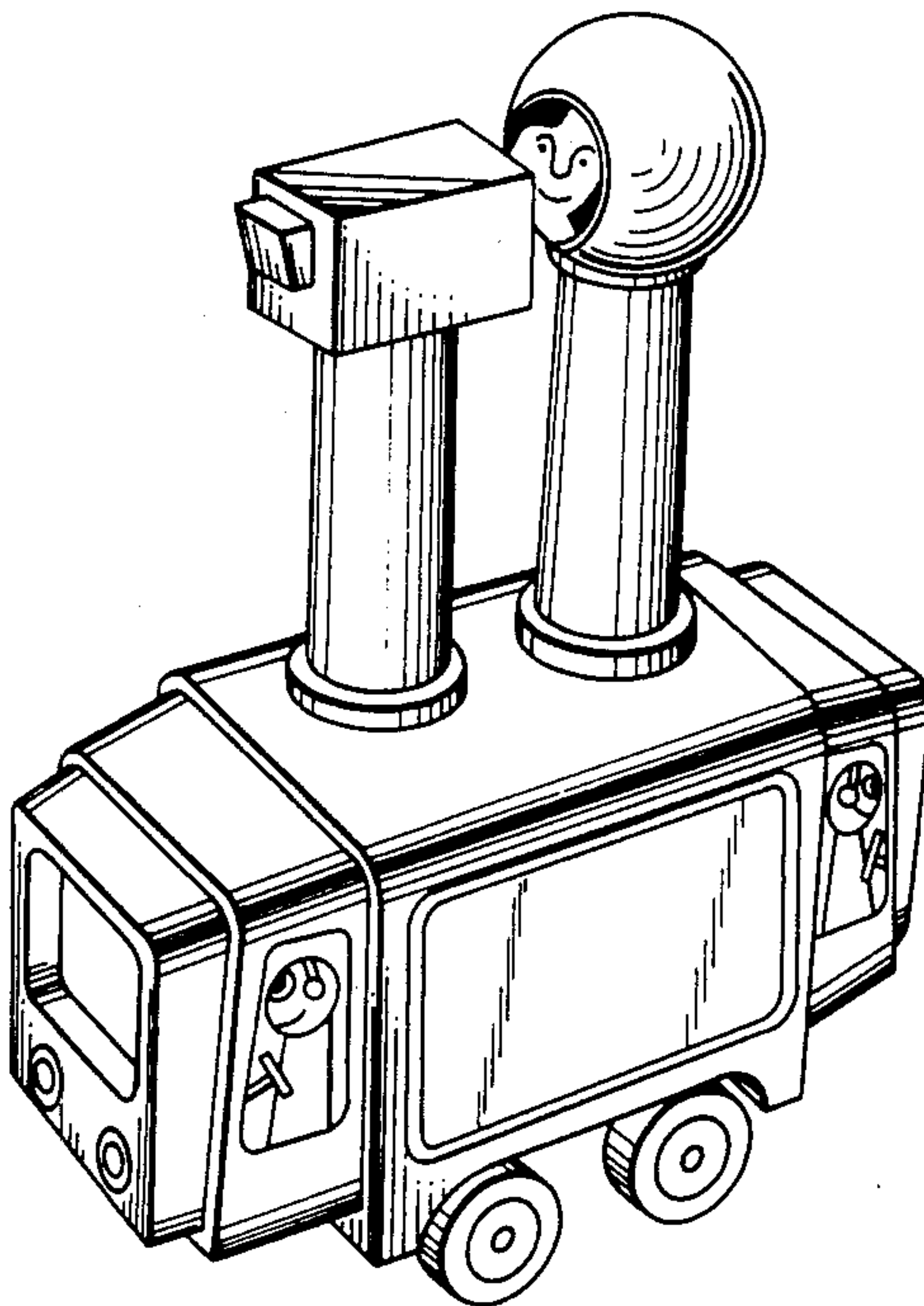
Primary Examiner—Joel Stearman
Assistant Examiner—C. A. Rademaker
Attorney, Agent, or Firm—Spencer E. Olson

[57] CLAIM

The ornamental design for a toy camera truck, substantially as shown and described.

DESCRIPTION

FIG. 1 is a front perspective view of a toy camera truck showing my new design; FIG. 2 is another front perspective view thereof with one member shown in an exploded relationship; and, FIG. 3 is a bottom perspective view thereof shown on a slightly reduced scale with one member removed therefrom.



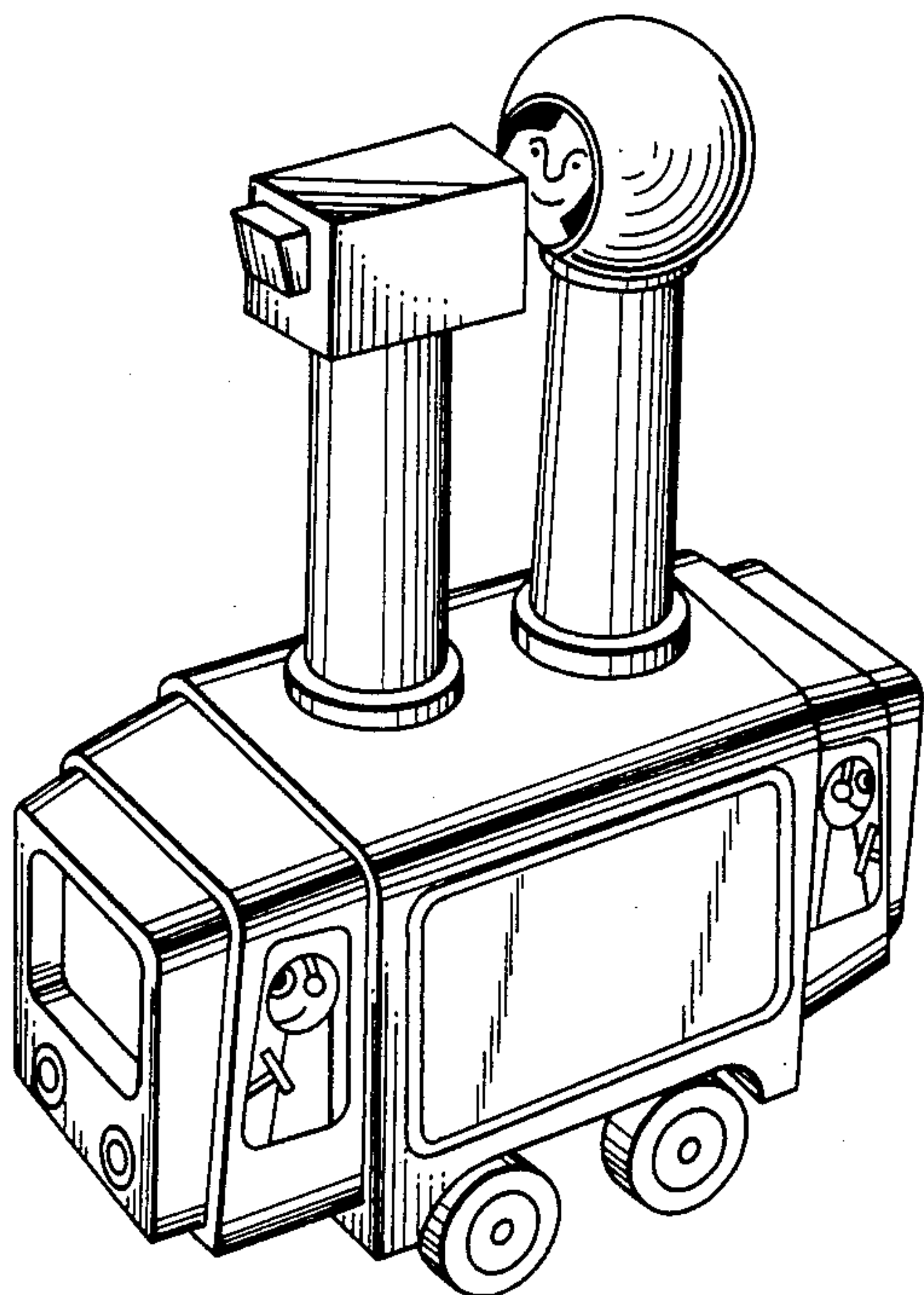


FIG. 1

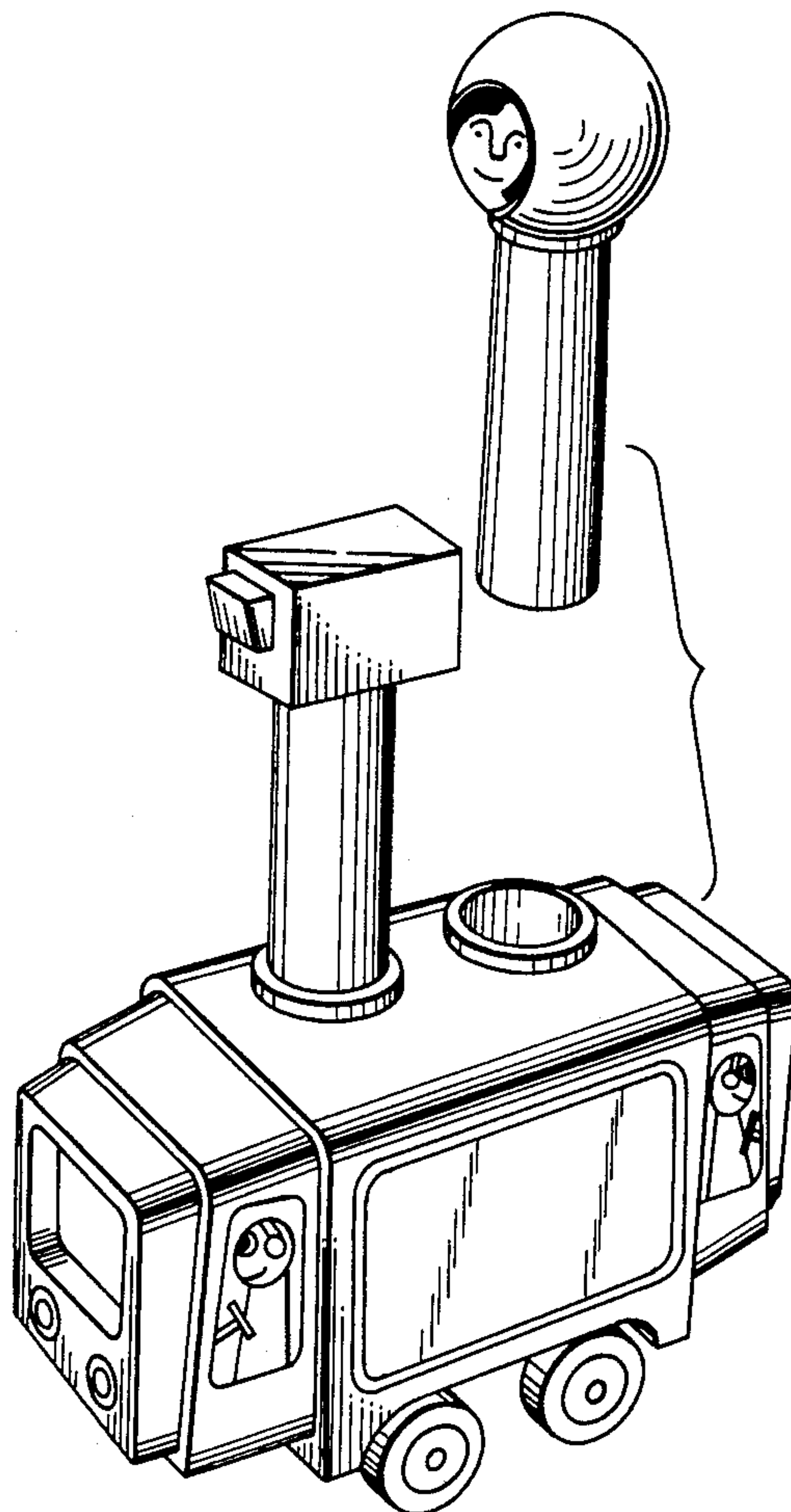


FIG. 2

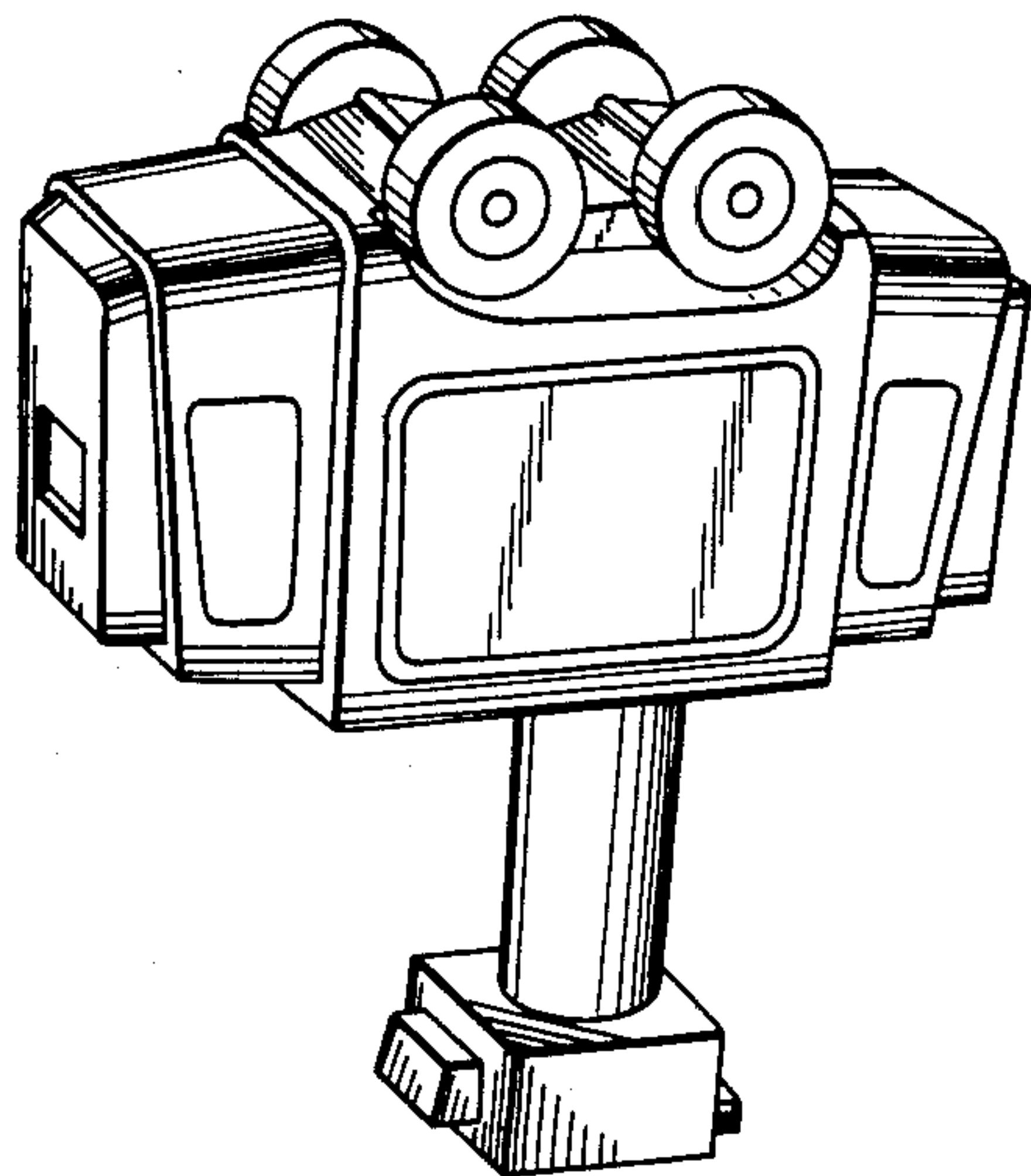


FIG. 3