

[54] HAND GRIP FOR A TENNIS RACKET

[76] Inventor: Alvin H. Sweet, 5168-B Wood St.,
South Gate, Calif. 90280

[**] Term: 14 Years

[21] Appl. No.: 706,467

[22] Filed: July 19, 1976

[51] Int. Cl. D21-02

[52] U.S. Cl. D34/5 ST

[58] Field of Search D34/5 ST, 5 GS; 273/75,
273/81 R, 72; D8/75

[56] References Cited

U.S. PATENT DOCUMENTS

2,280,382 4/1942 Davis D34/5 ST

FOREIGN PATENT DOCUMENTS

134,426 1949 Australia 273/75

Primary Examiner—Melvin B. Feifer
Attorney, Agent, or Firm—Howard L. Johnson

[57] CLAIM

The ornamental design for a hand grip for a tennis racket, substantially as shown and described.

DESCRIPTION

FIG. 1 is a top plan view of my hand grip for a tennis racket, showing my new design. The bottom thereof is of identical appearance.

FIG. 2 is a side elevational view of the hand grip of FIG. 1, rotated 90° on the longitudinal axis.

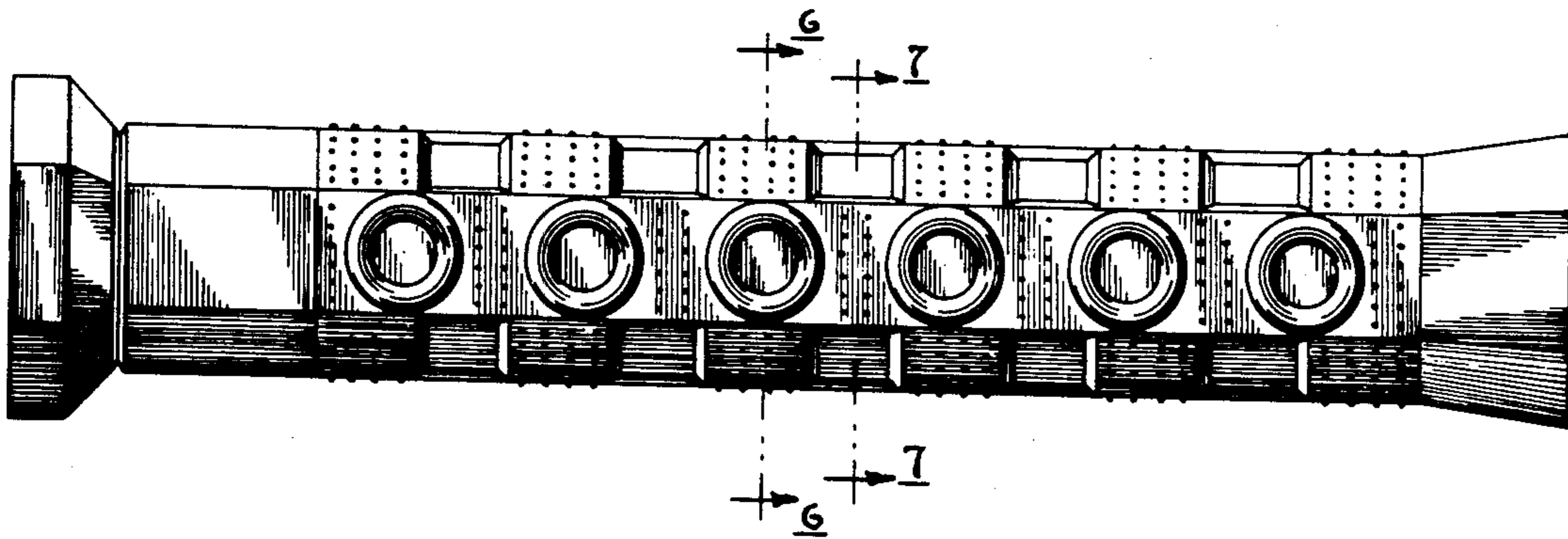
FIG. 3 is an end elevational view thereof as seen from the left of FIG. 1.

FIG. 4 is an end elevational view thereof as seen from the right of FIG. 1.

FIG. 5 is a perspective view looking down on the hand grip from above the proximate butt end and toward the distant leading end, the latter appearing at the left at FIGS. 1-2.

FIG. 6 is a transverse sectional view taken along the line 6-6 of FIG. 2, as viewed in the direction of the arrows.

FIG. 7 is a transverse sectional view taken along the line 7-7 of FIG. 2, as viewed in the direction of the arrows.



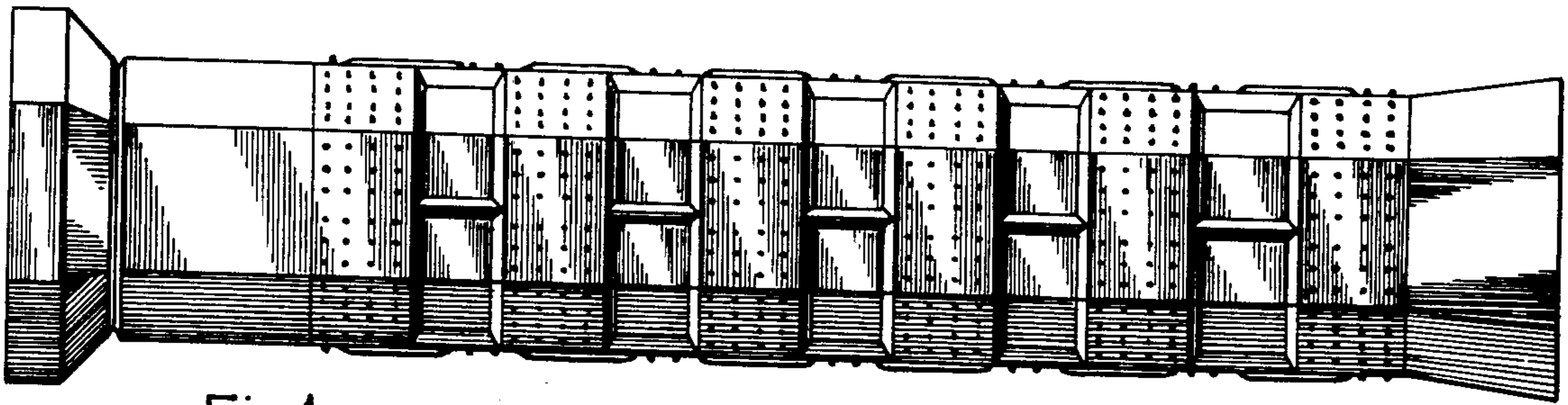


Fig. 1

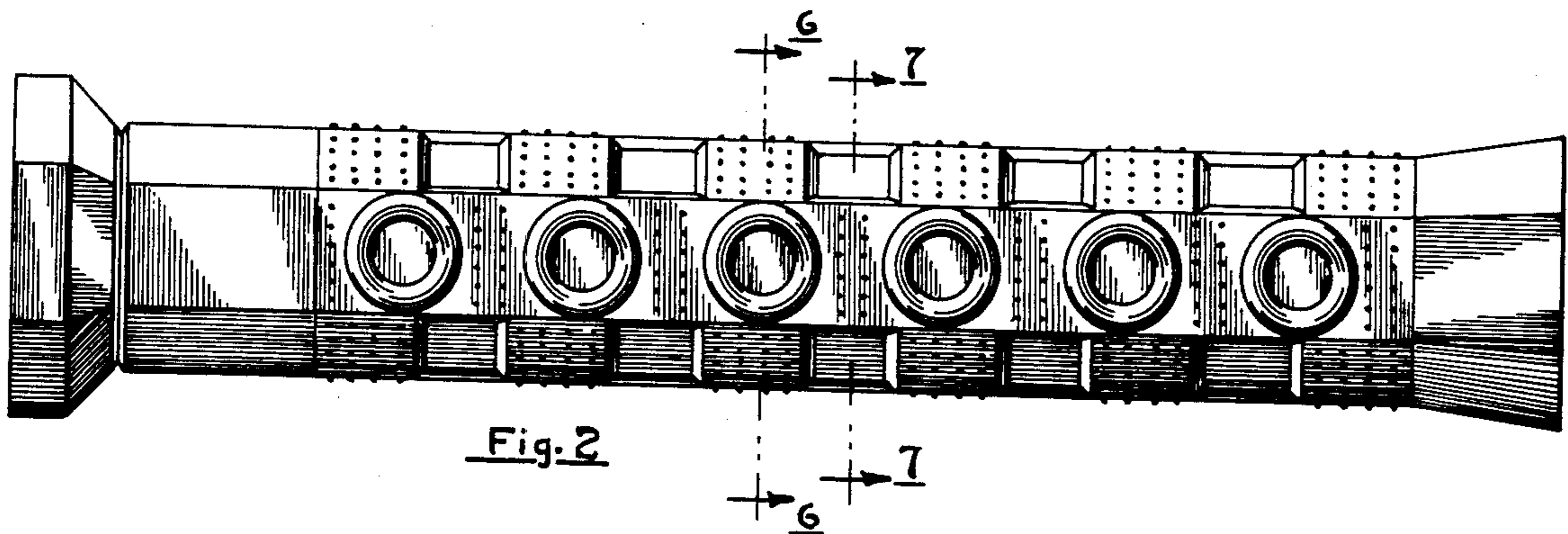


Fig. 2

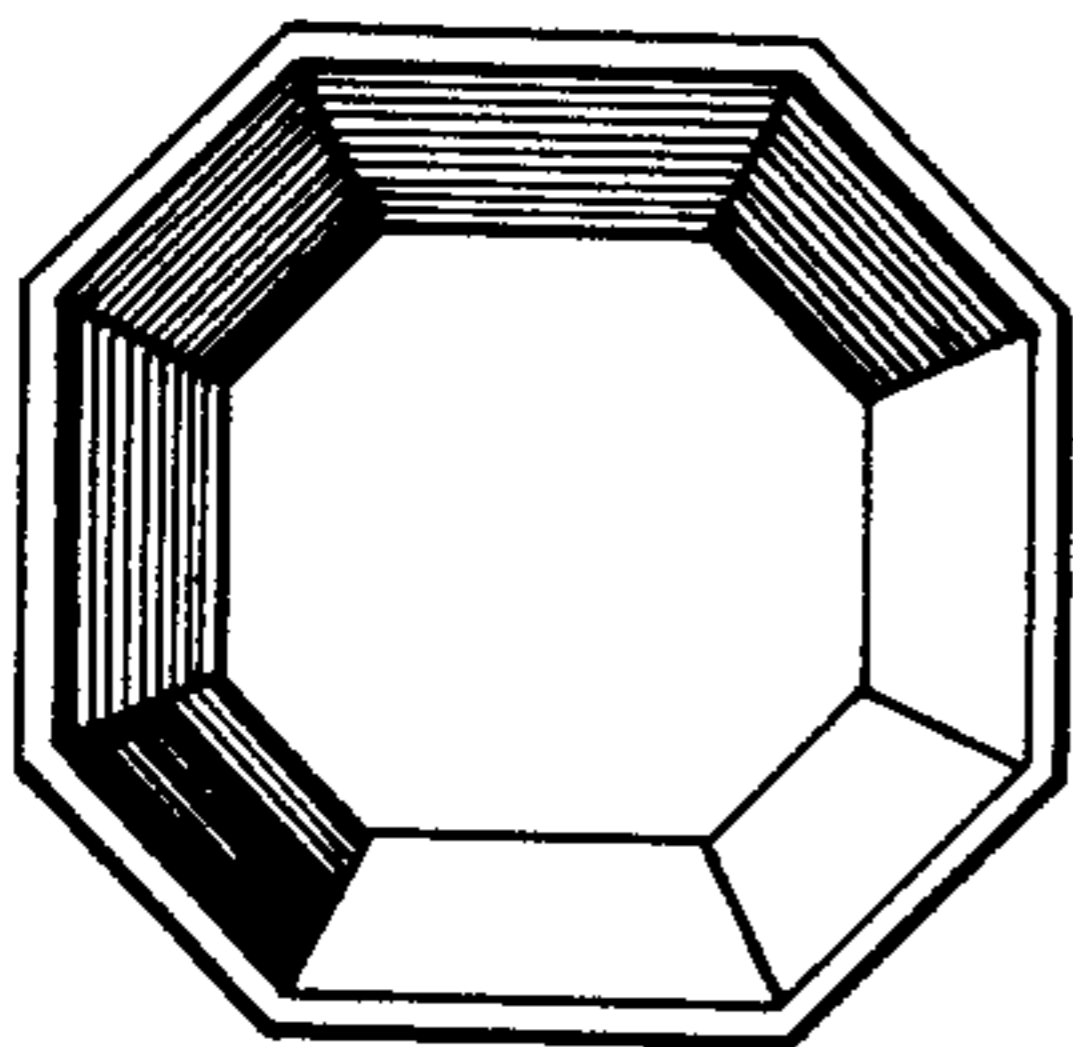


Fig. 3

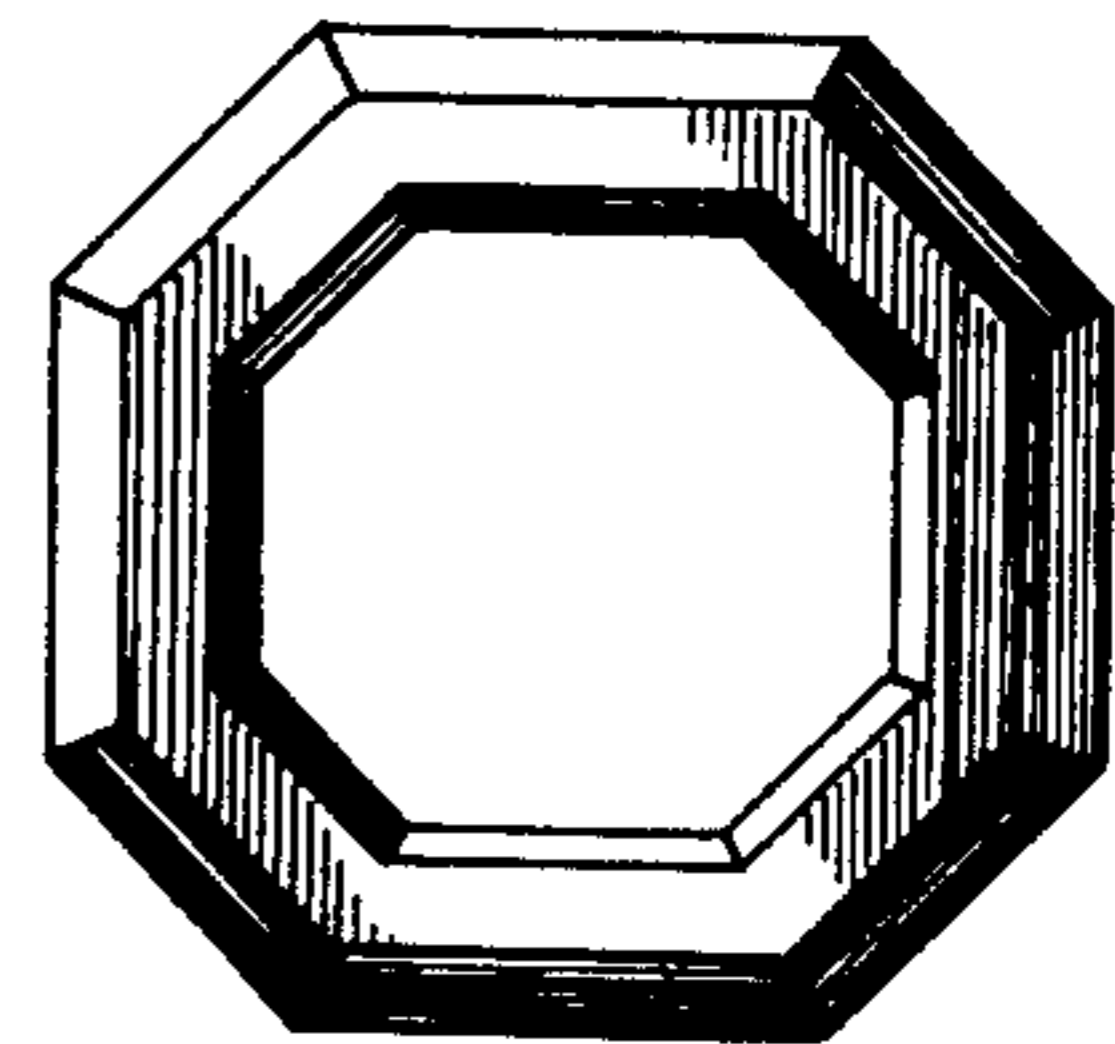


Fig. 4

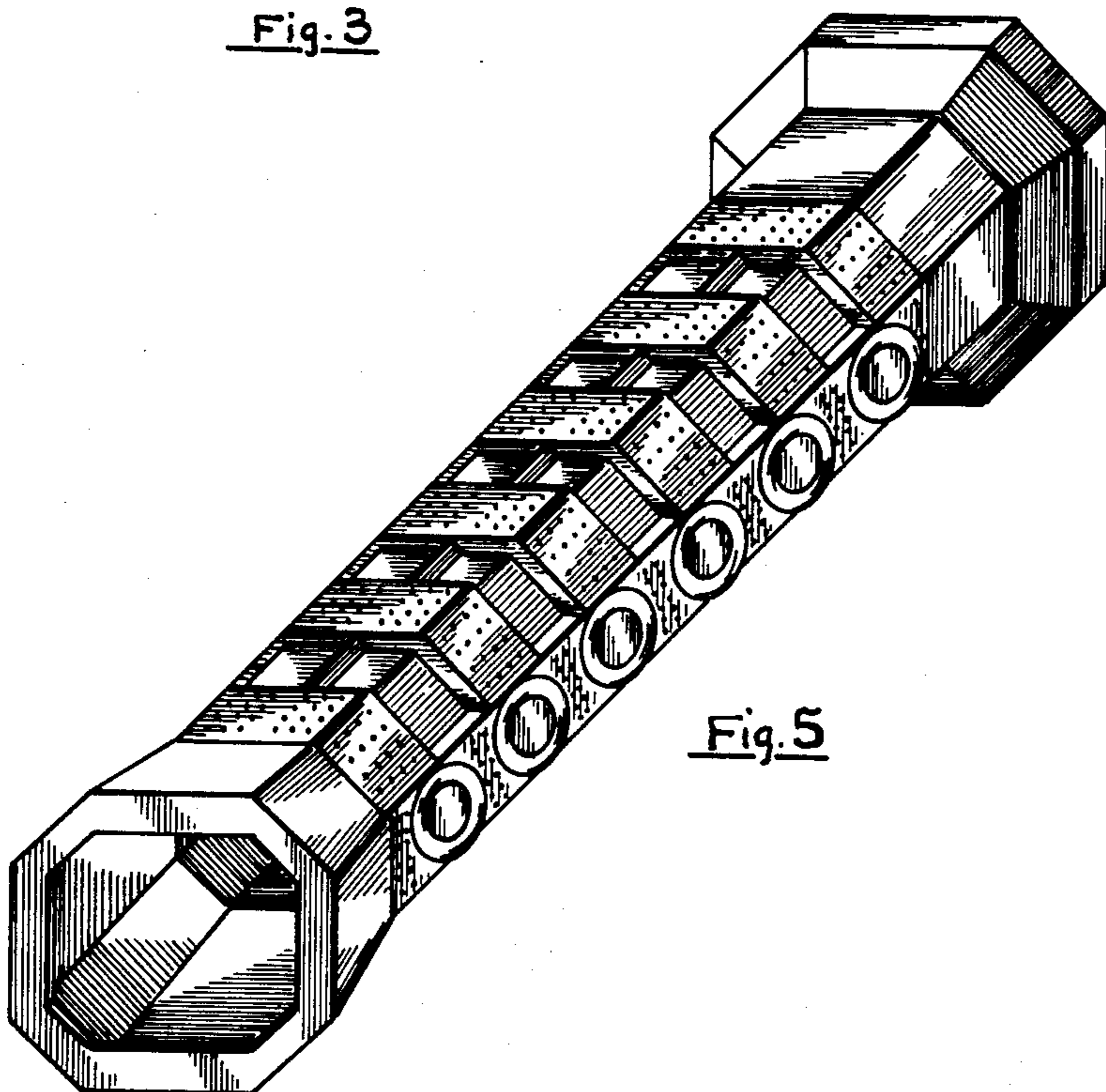


Fig. 5

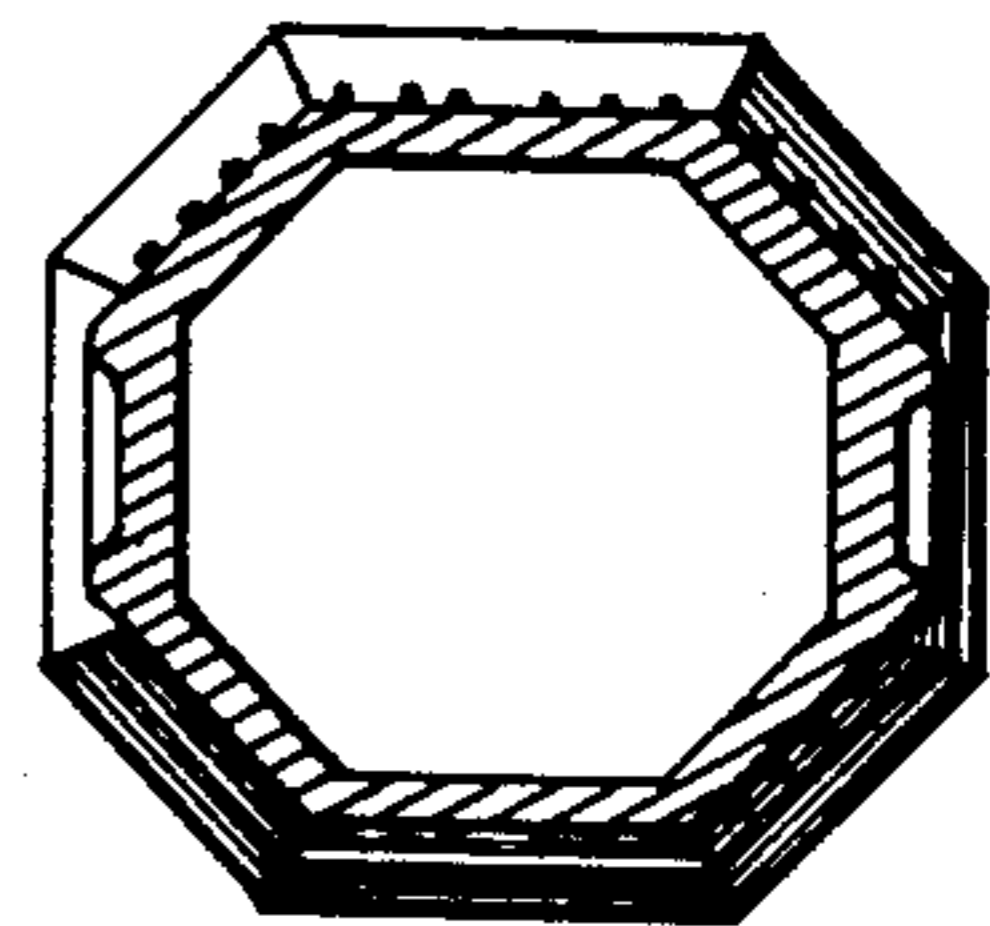


Fig. 6

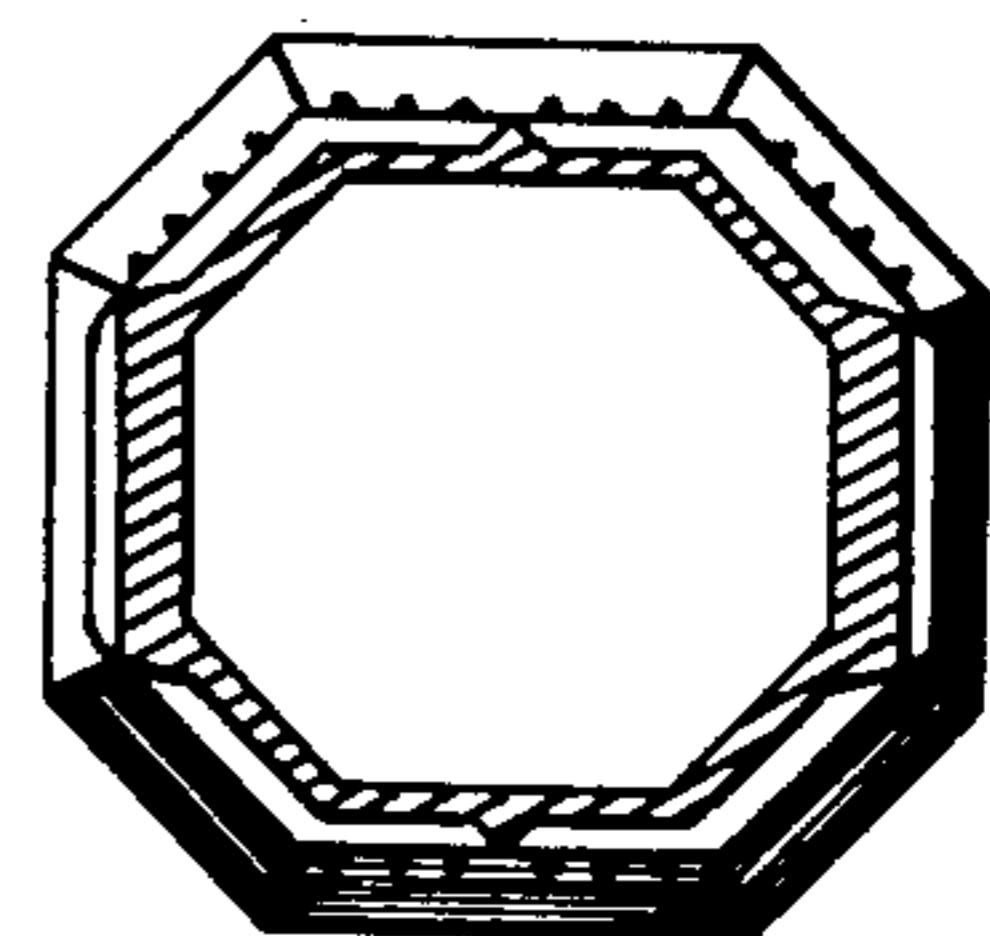


Fig. 7