

[54] PHONOGRAPH CARTRIDGE

[75] Inventors: James P. Thomsen, Mount Prospect; Ronald G. Theilmann, Arlington Heights, both of Ill.

[73] Assignee: Shure Brothers Incorporated

[**] Term: 14 Years

[21] Appl. No.: 719,966

[22] Filed: Sept. 2, 1976

[51] Int. Cl. D14-01

[52] U.S. Cl. D14/28

[58] Field of Search 274/37, 38, 36; D26/14 D

[56] References Cited

U.S. PATENT DOCUMENTS

3,294,405	12/1966	Pritchard	D274/37
D. 230,995	3/1974	Thomsen	D26/14 D
D. 235,211	5/1975	Deschamps	D26/14 D

D. 235,661 7/1975 Deschamps D26/14 D

Primary Examiner—Bernard Ansher
Attorney, Agent, or Firm—George B. Newitt

[57] CLAIM

The ornamental design for a phonograph cartridge, as shown and described.

DESCRIPTION

FIG. 1 is a perspective view of a phonograph cartridge in accordance with the present invention, as shown from above its normal operative position; FIG. 2 is a perspective view of a phonograph cartridge in accordance with the present invention, as shown from below its normal operative position; FIG. 3 is one side view thereof, the other side being substantially identical; FIG. 4 is a front view thereof; FIG. 5 is a top plan view thereof; FIG. 6 is a rear view thereof; and FIG. 7 is a bottom plan view thereof.

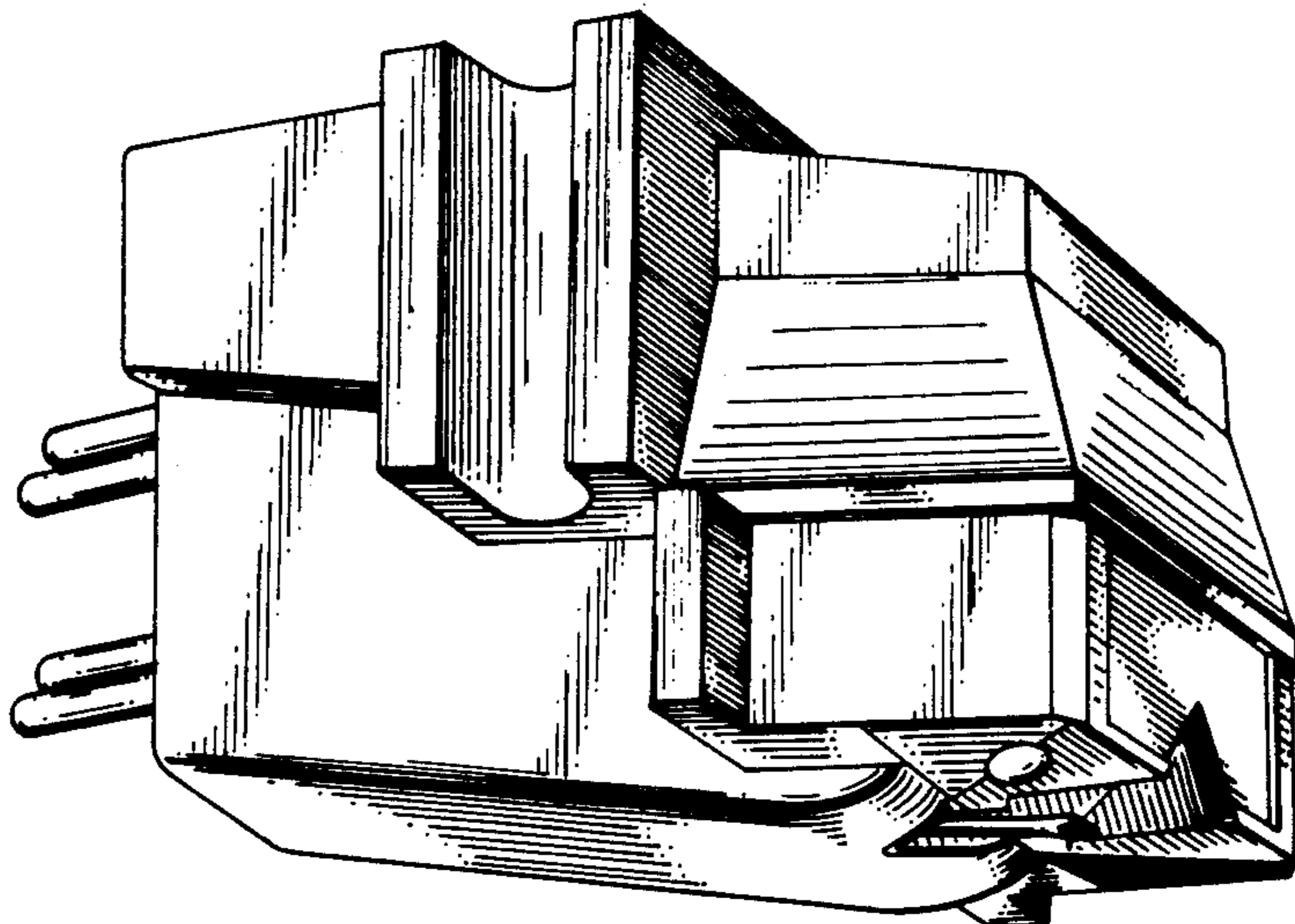
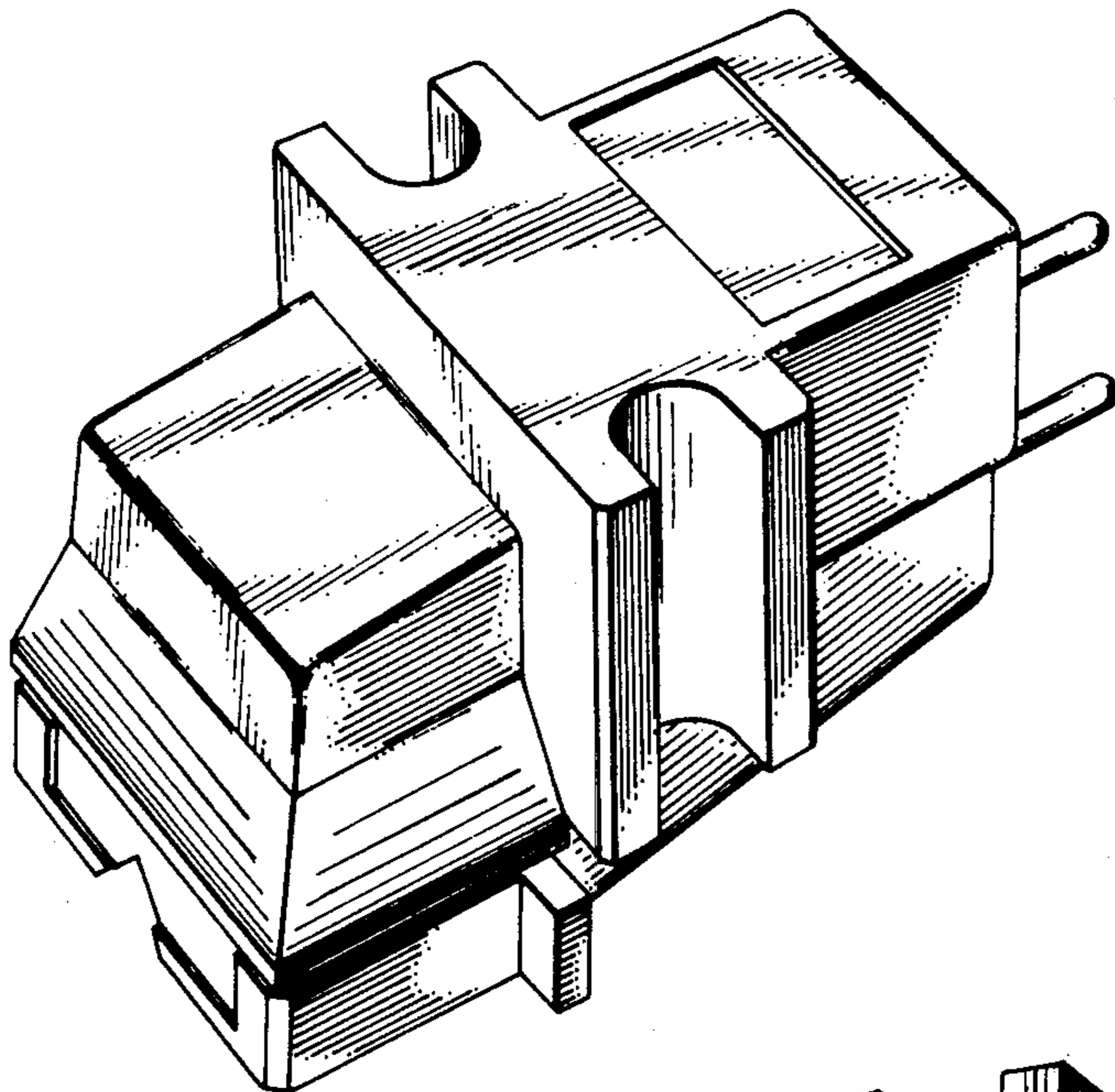


Fig. 1

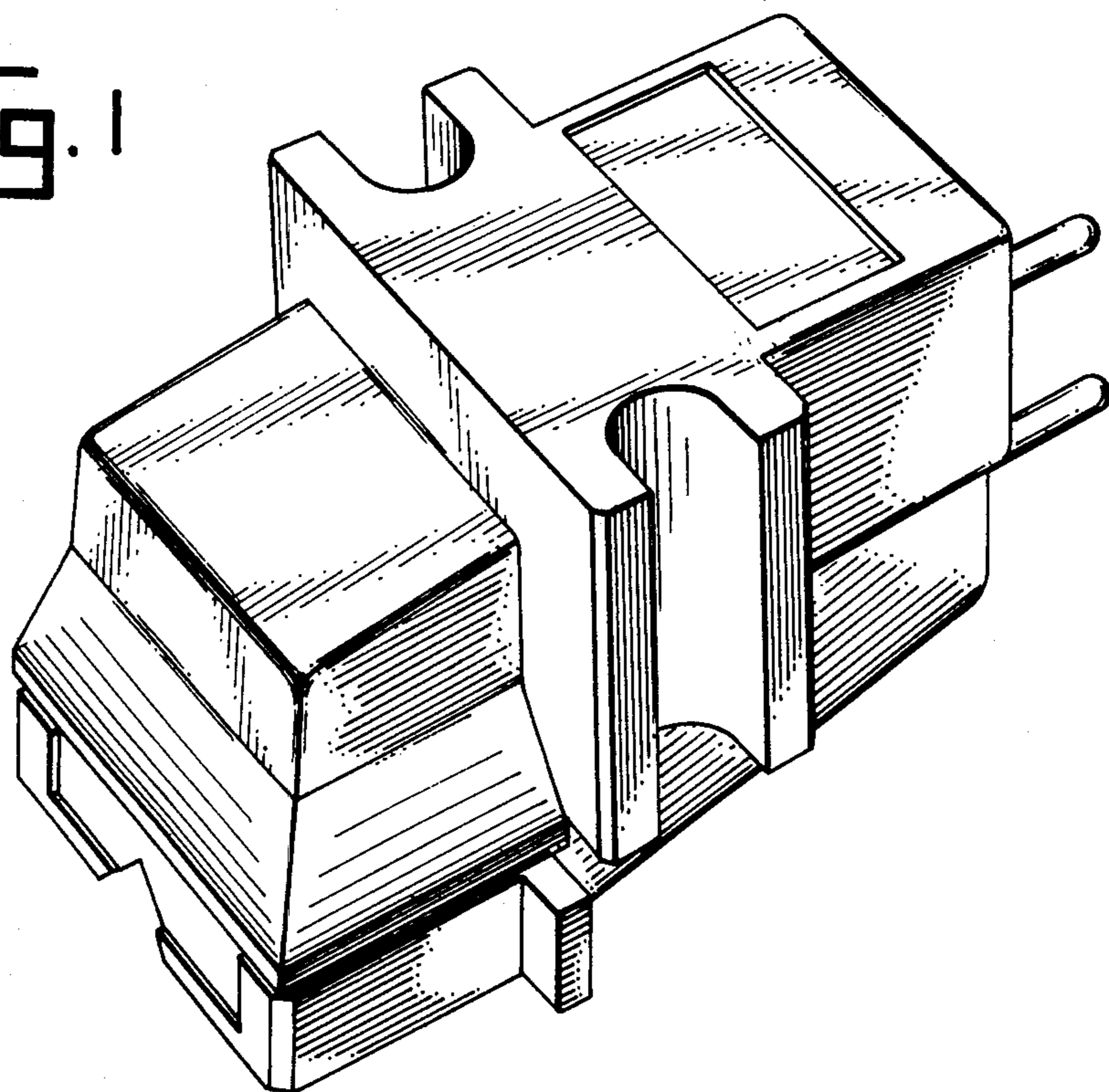


Fig. 2

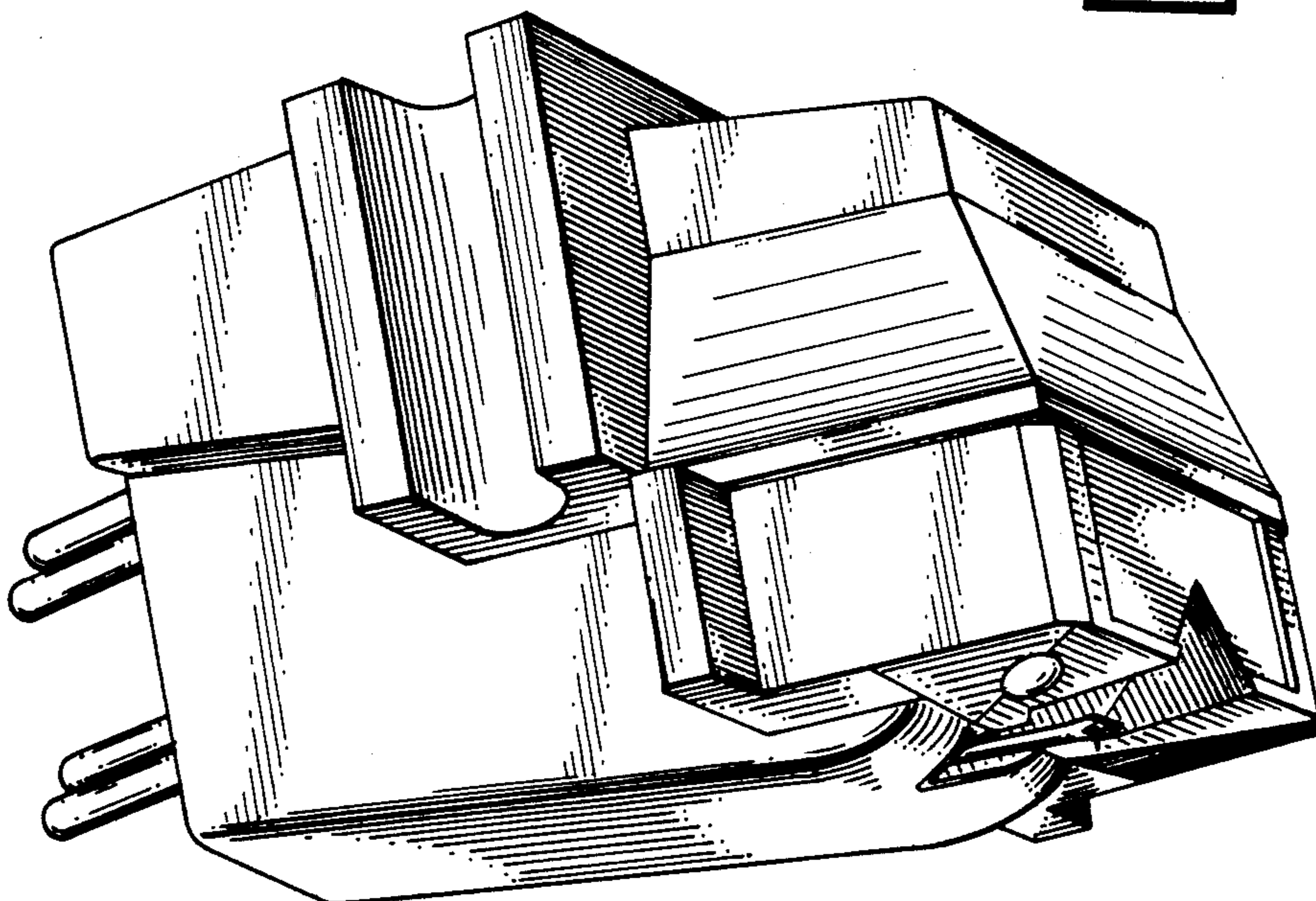


Fig. 3

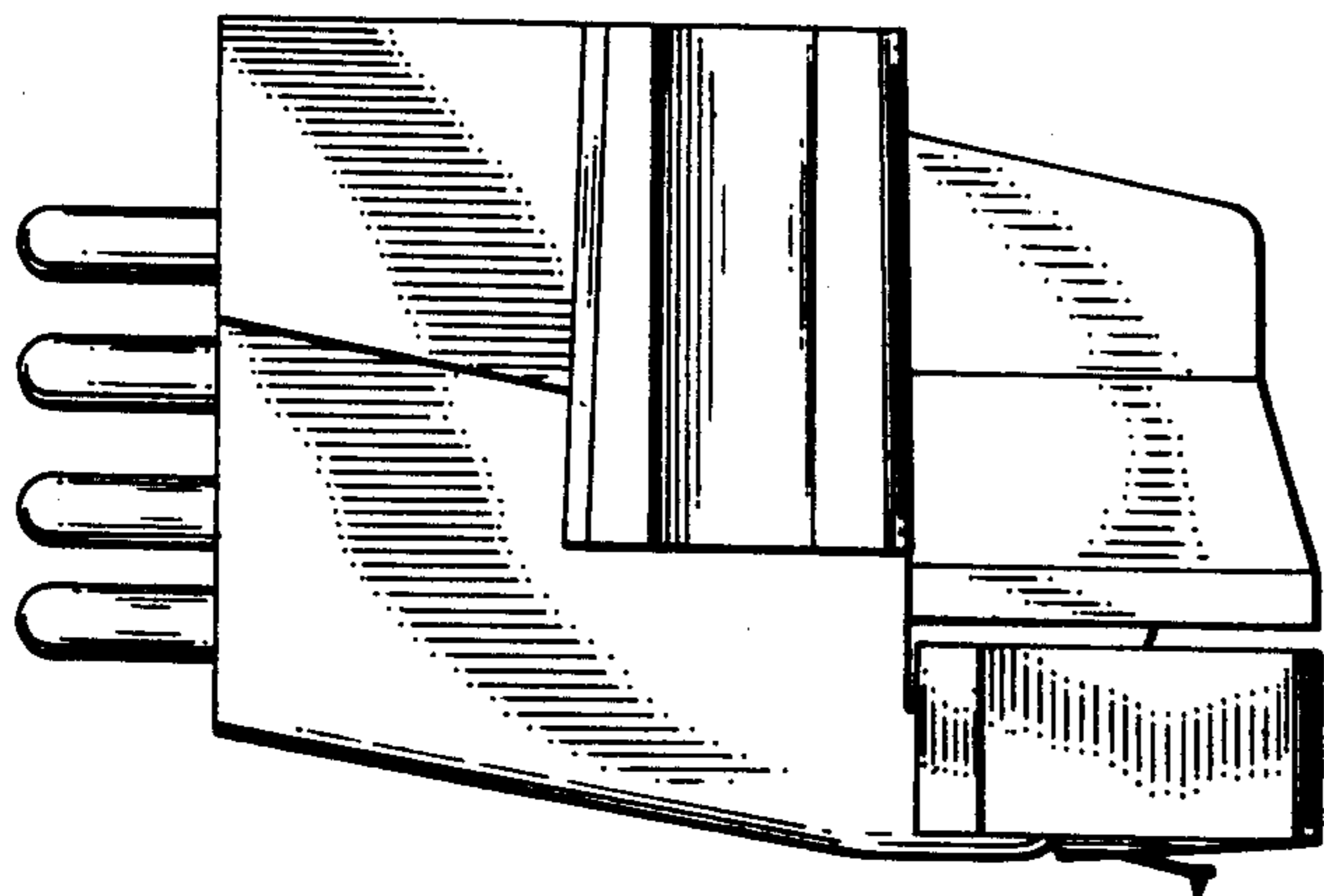


Fig. 4

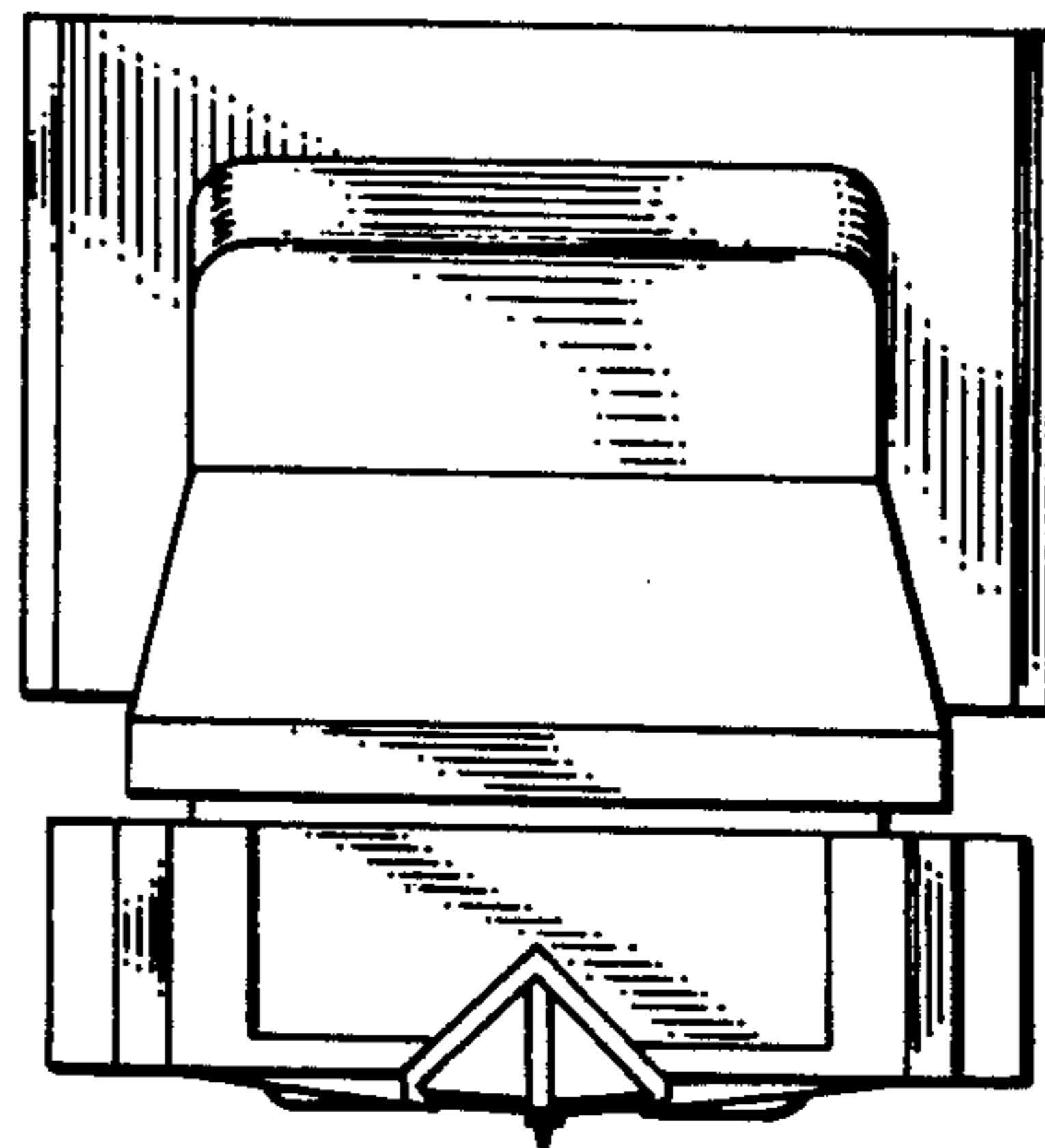


Fig. 5

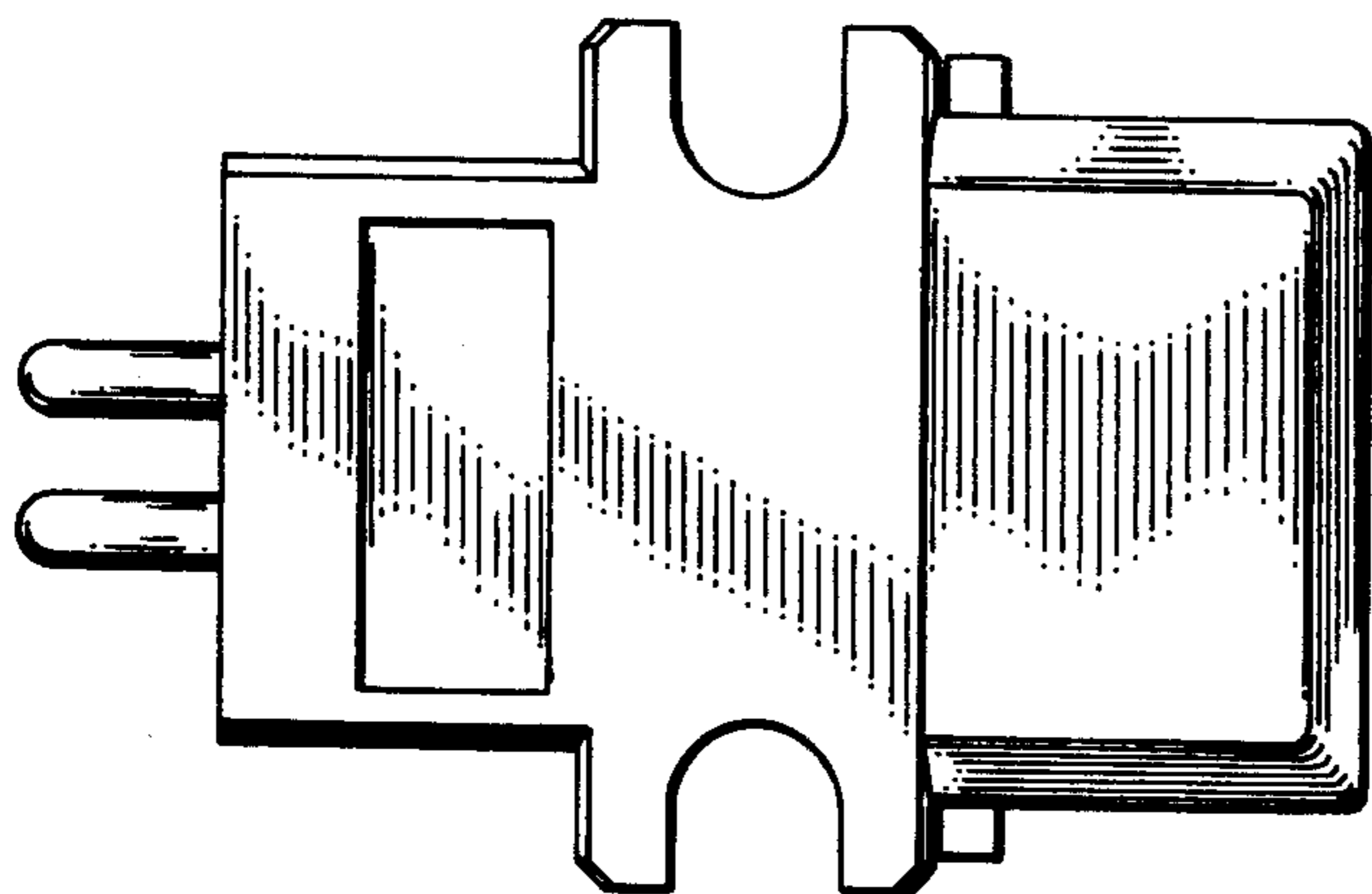


Fig. 6

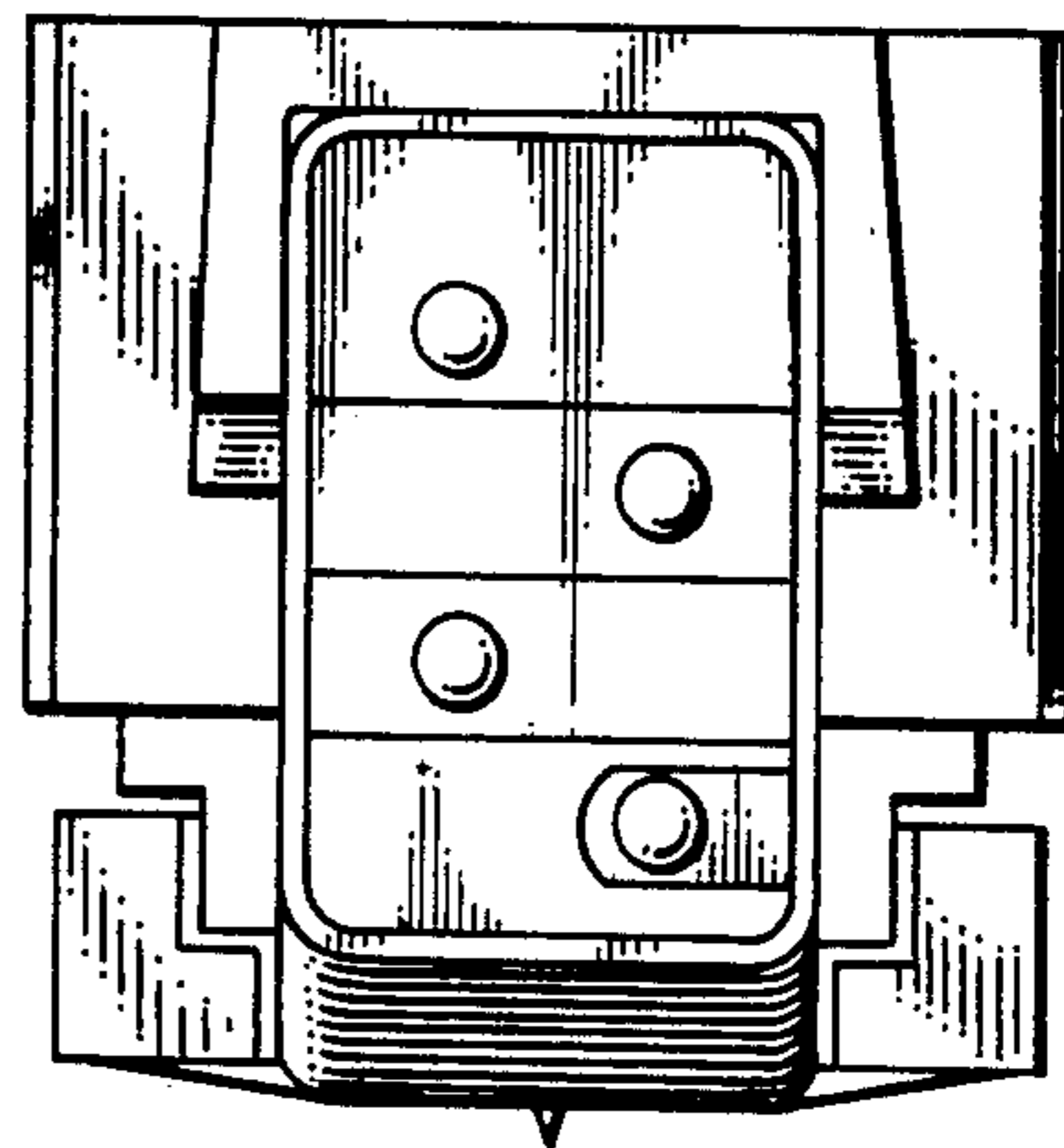


Fig. 7

