

[54] GROUND SUPPORTED FISHING POLE SUPPORT

[76] Inventor: Oscar N. Tentler, 409 Arlington Road, Newton Falls, Ohio 44444

[**] Term: 14 Years

[21] Appl. No.: 708,567

[22] Filed: July 26, 1976

[51] Int. Cl. D22-05

[52] U.S. Cl. D22/13

[58] Field of Search 43/15, 16; D22/13

[56] References Cited

U.S. PATENT DOCUMENTS

D. 179,586 1/1957 Wise D22/13
D. 219,971 2/1971 Bennett et al. D22/13

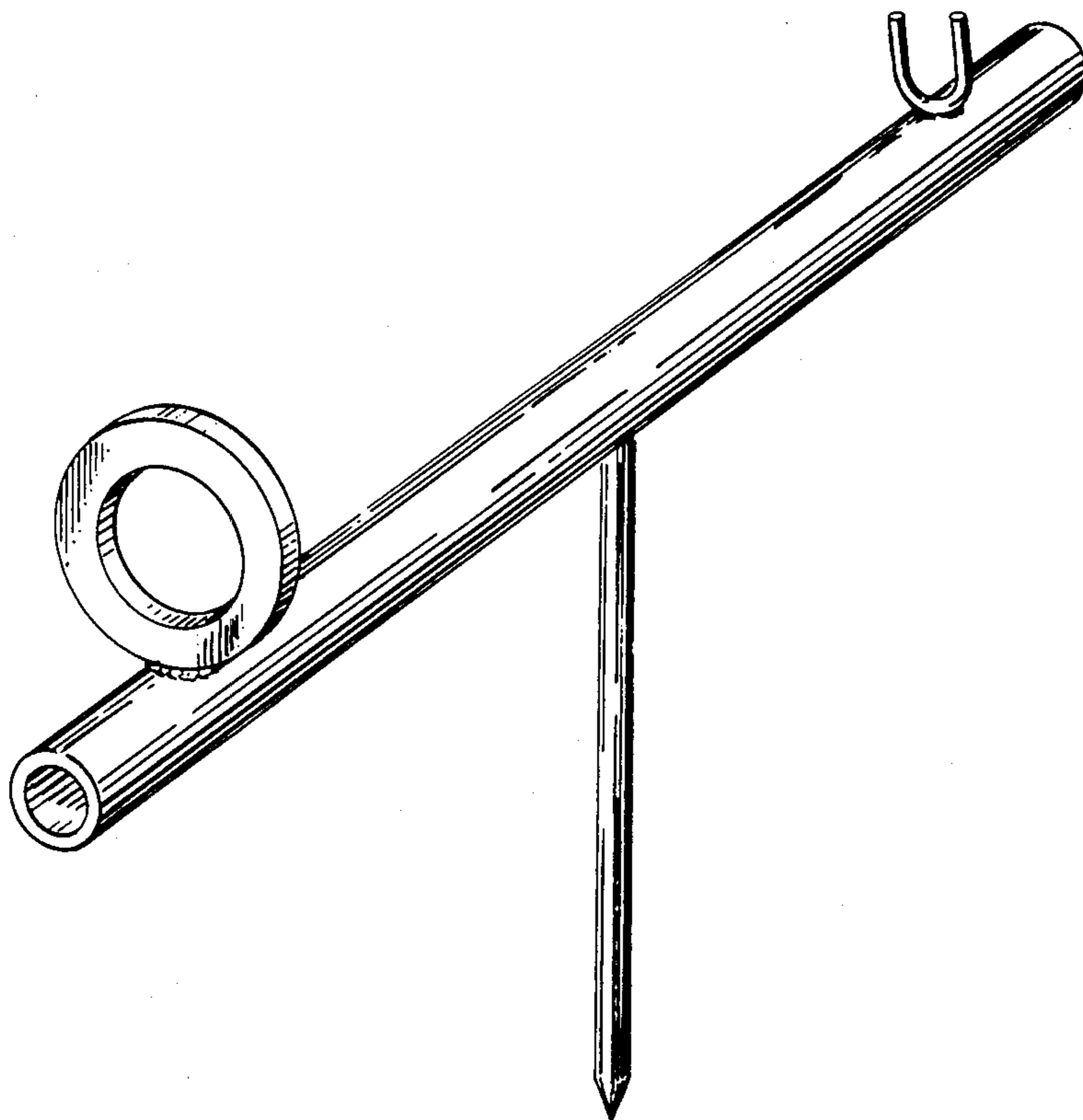
Primary Examiner—William N. Wertman
Attorney, Agent, or Firm—Michael Williams

[57] CLAIM

The ornamental design for a ground supported fishing pole support, substantially as shown.

DESCRIPTION

FIG. 1 is a perspective view of a ground supported fishing pole support, showing my new design, and FIG. 2 is a side elevational view thereof.



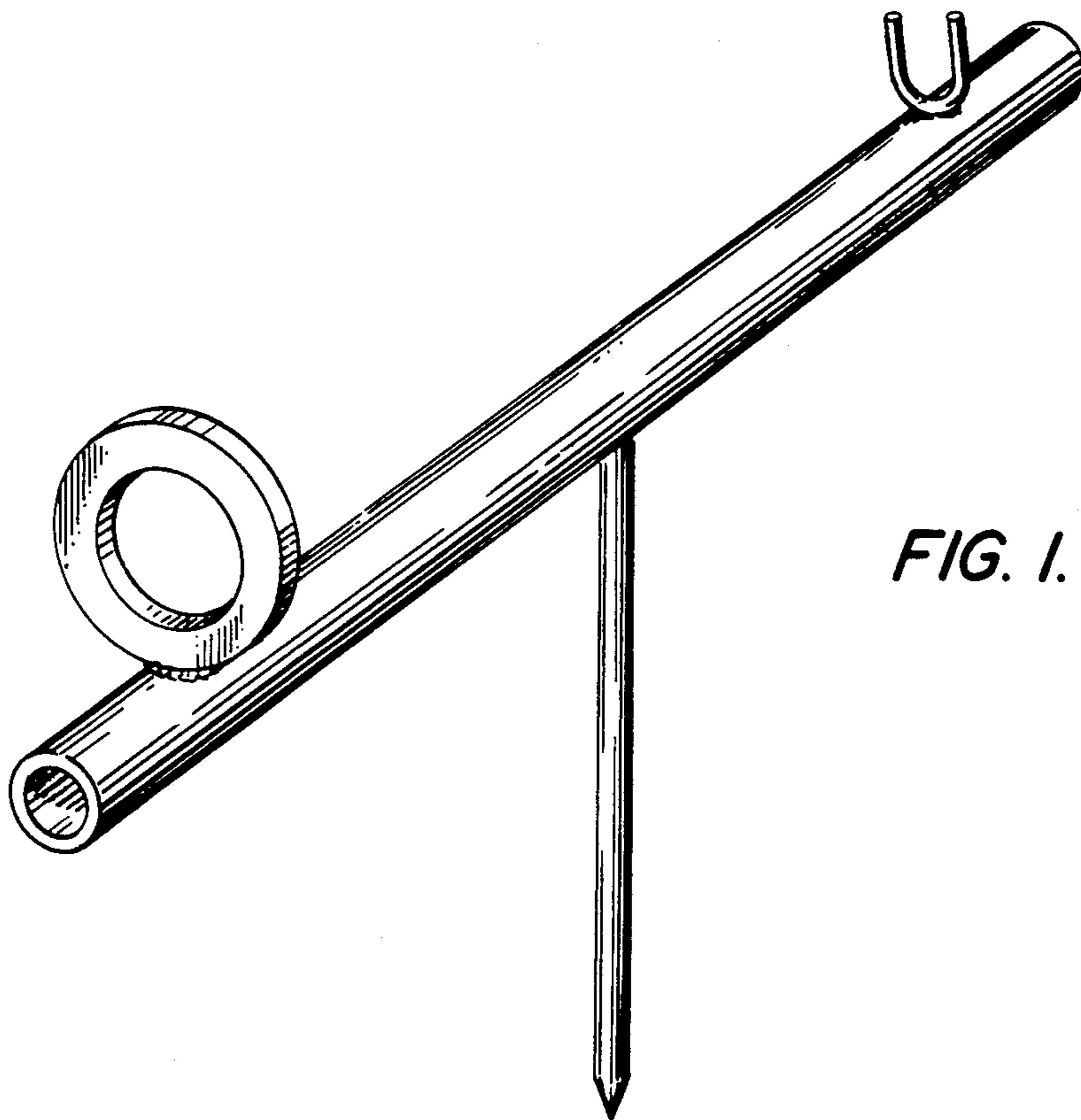


FIG. 1.

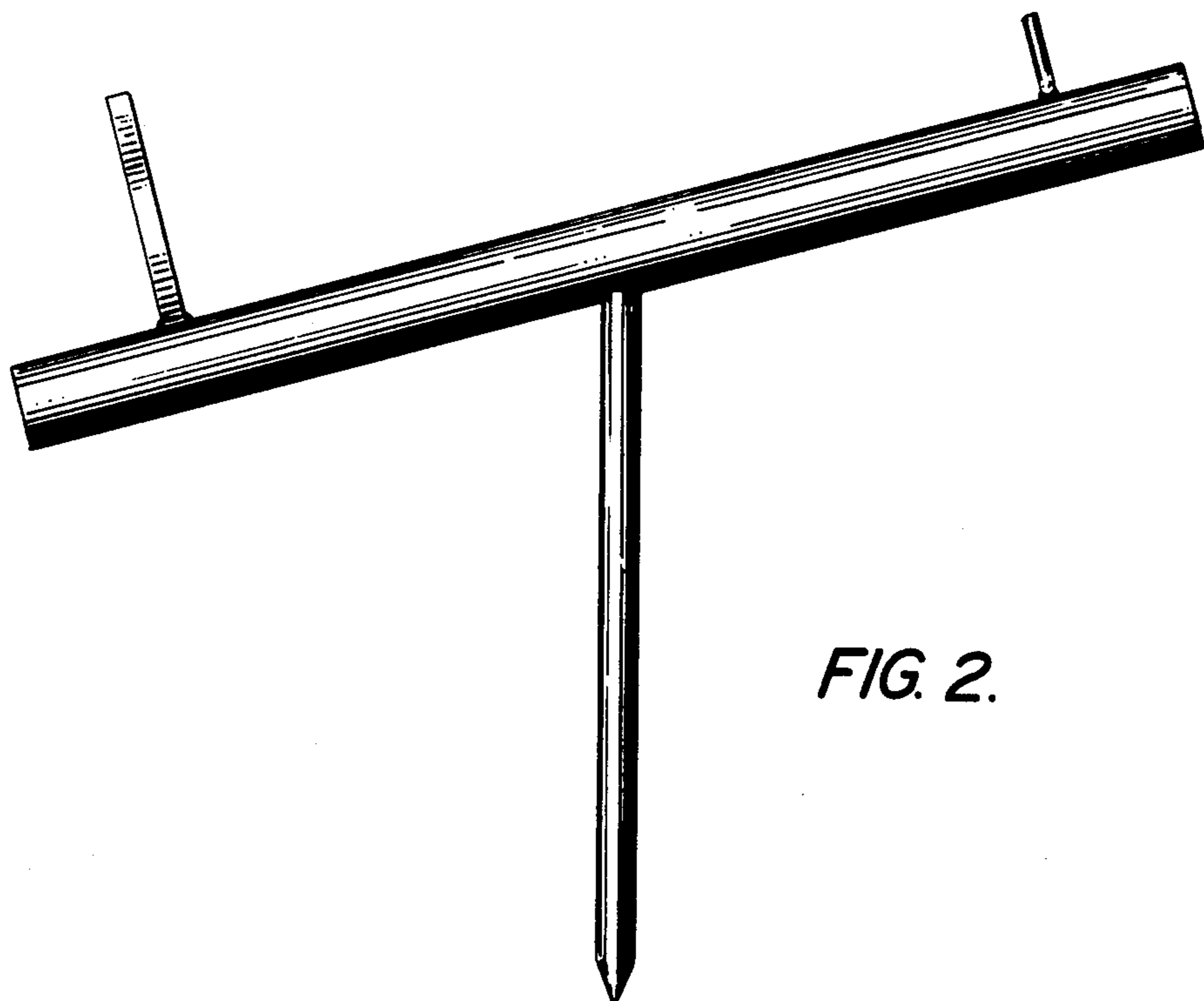


FIG. 2.