

[54] CHIPPING COMBINE

[76] Inventor: Walter H. Maucher, Rte. No. 2, Postal Rte. Box 146, Cantonment, Fla. 32533

[**] Term: 14 Years

[21] Appl. No.: 652,502

[22] Filed: Jan. 26, 1976

[51] Int. Cl. D15-03

[52] U.S. Cl. D15/26

[58] Field of Search D15/26, 22, 10; 144/2 Z, 3 D, 34 R, 34 E; 56/233-236

[56] References Cited

U.S. PATENT DOCUMENTS

3,651,845	3/1972	Propst	144/3 D
3,960,371	6/1976	McKenzie	144/2 Z

OTHER PUBLICATIONS

Slash-Equipment & Methods for Treatment & Utilization, 4/75, Ed. & T Report 7210-7127, p. 18, Figure 19, Kershaw Klear-Way, top right side of page.

Primary Examiner—Wallace R. Burke
Assistant Examiner—James M. Gandy
Attorney, Agent, or Firm—John B. Bean

[57] CLAIM

The ornamental design for a chipping combine, as shown.

DESCRIPTION

FIG. 1 is a side elevational view of a chipping combine showing my new design the opposite side being substantially a mirror image thereof;
FIG. 2 is a top plan view thereof;
FIG. 3 is a front elevational view thereof;
FIG. 4 is a rear elevational view thereof.

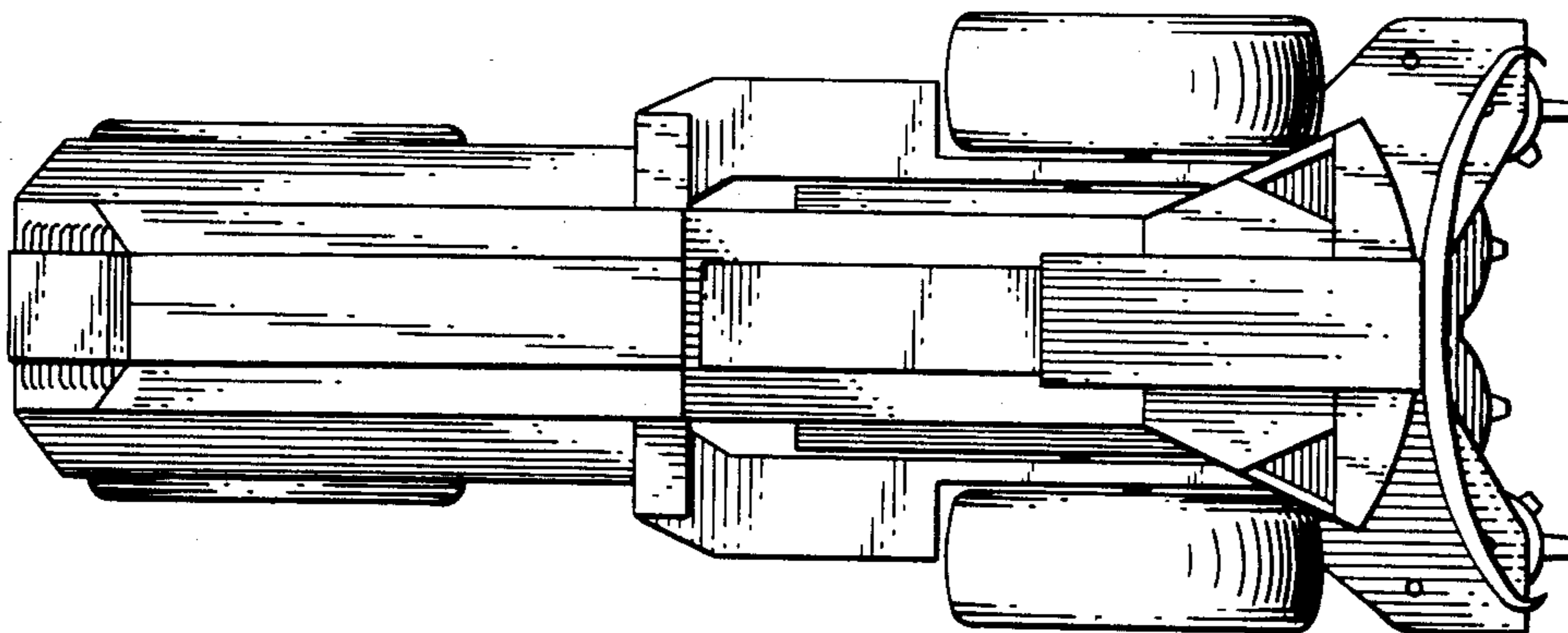
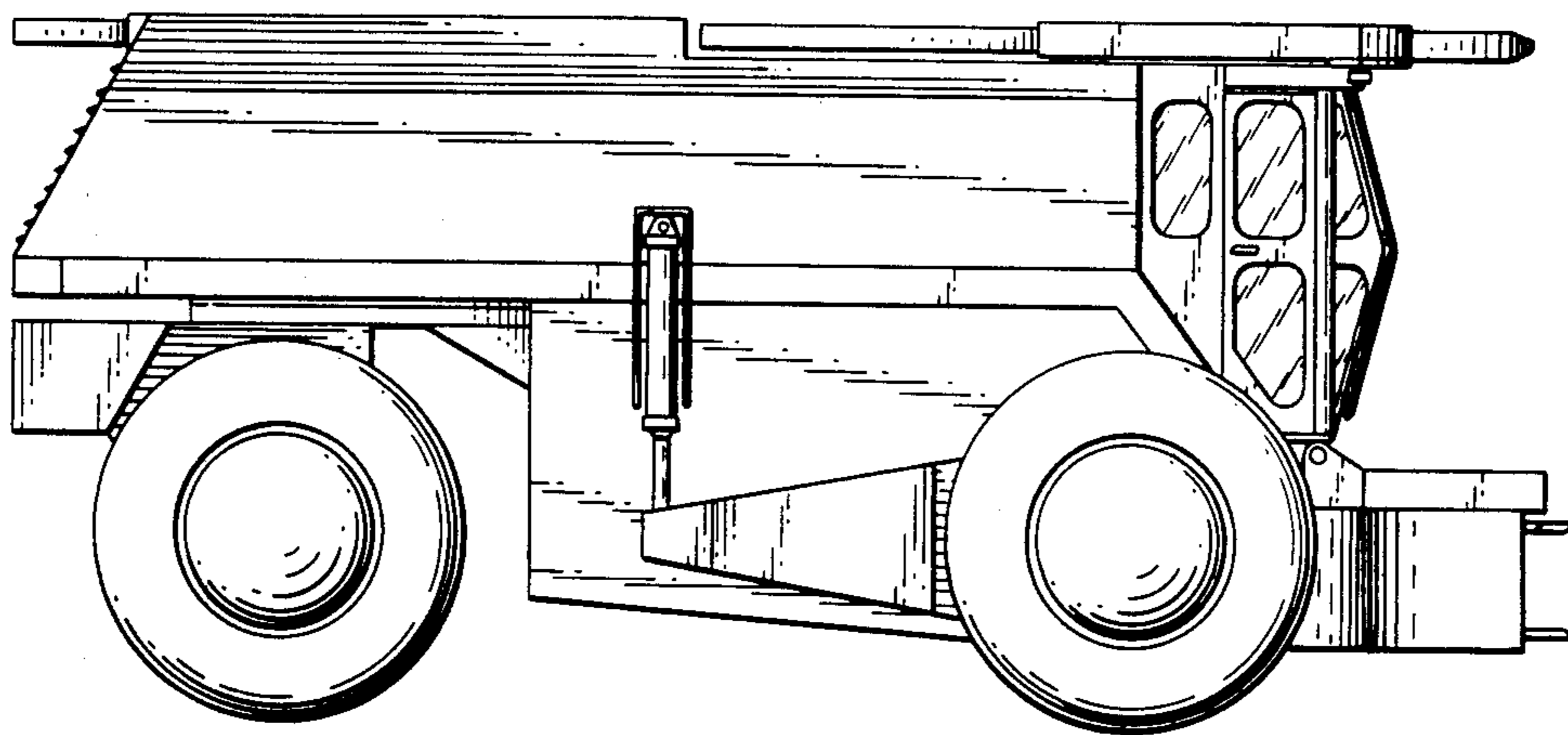


Fig. 1.

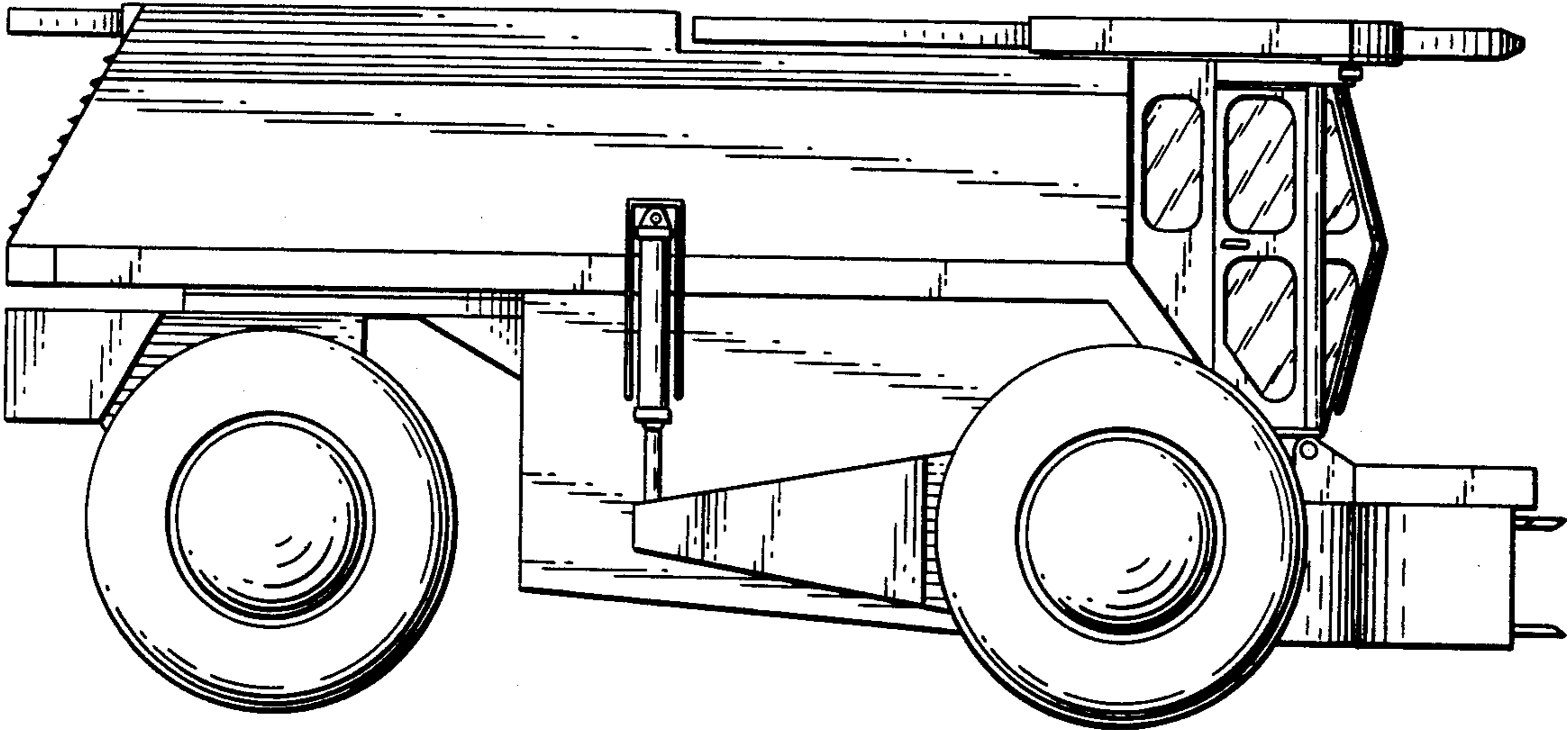


Fig. 2.

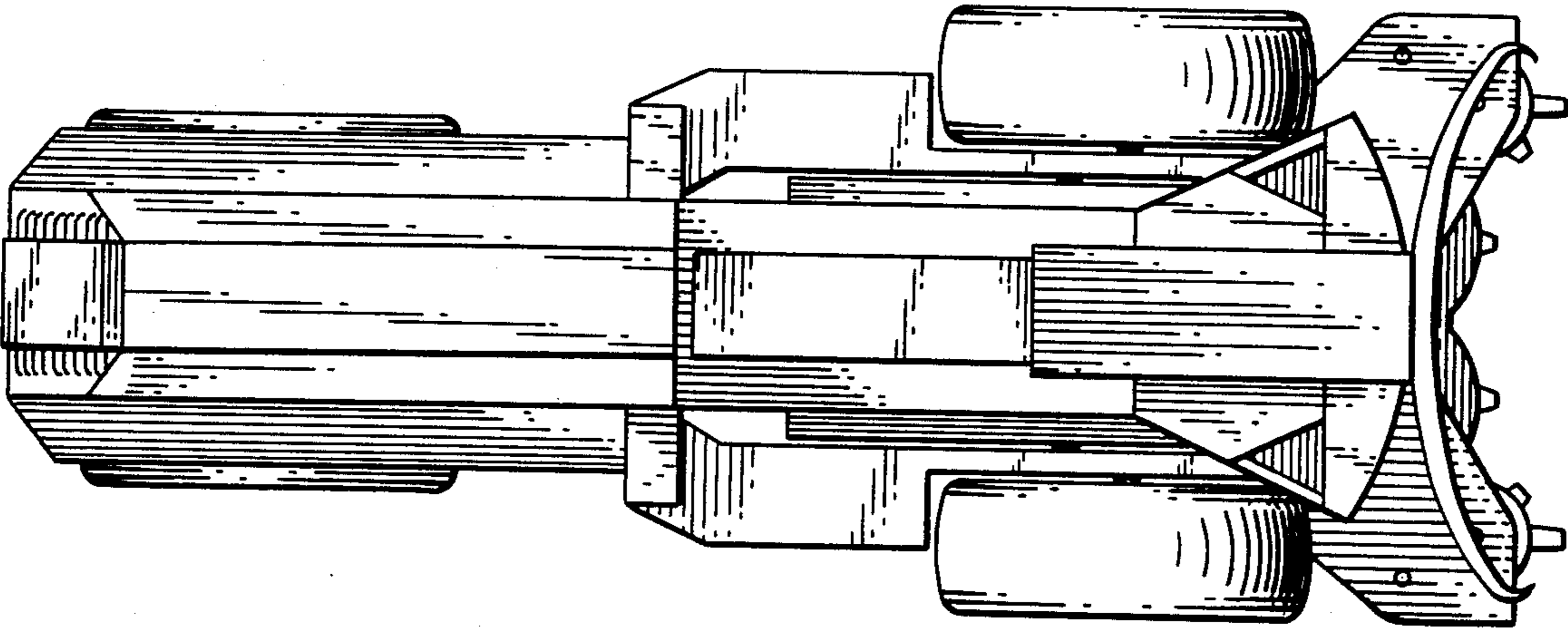


Fig. 3.

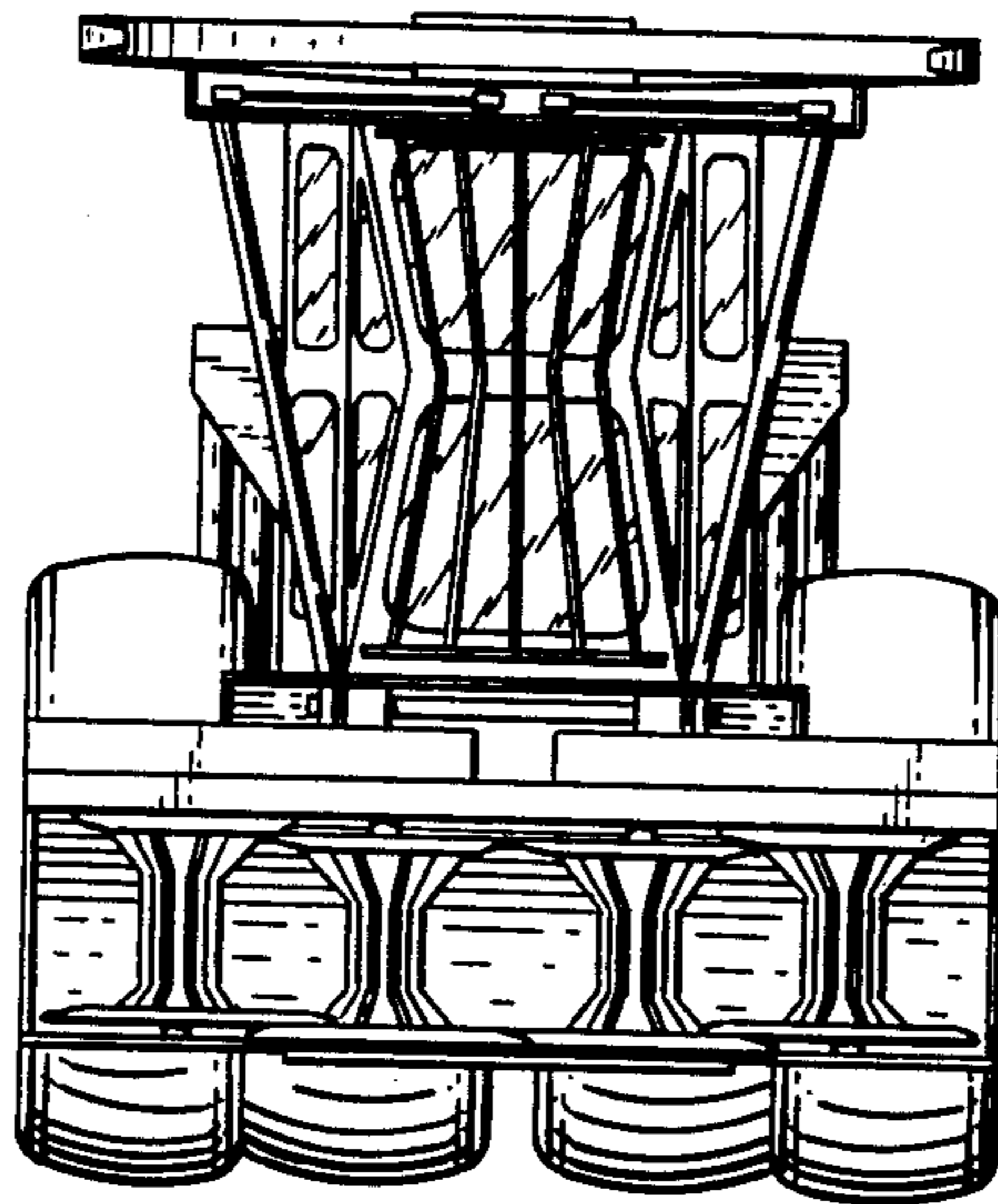


Fig. 4.

