

[54] VIDEO TAPE RECORDER CARTRIDGE

[75] Inventors: Masaharu Katayama; Hideo Takahashi, both of Saijo, Japan

[73] Assignee: Matsushita Electric Industrial Co., Ltd., Kadoma, Japan

[**] Term: 14 Years

[21] Appl. No.: 663,026

[22] Filed: Mar. 2, 1976

[30] Foreign Application Priority Data

Sept. 3, 1975 Japan 50-36013

[51] Int. Cl. D14-01

[52] U.S. Cl. D14/6

[58] Field of Search D26/1 R, 14 B; 206/307, 206/316, 387, 444, 389, 393-406, 413, 46, 53; 220/1 A; 242/197-200, 68, 71-77; 274/11; 352/72-78 C; 354/340-347; 96/201; 360/93-96, 132-134; D14/6

[56]

References Cited

U.S. PATENT DOCUMENTS

3,844,643	10/1974	Aoki	352/78 R
3,850,512	11/1974	Scholz	352/78 R X
D. 223,098	3/1972	Catalano et al.	D26/14 B
D. 227,678	7/1973	Takanashi	D26/14 B
D. 228,789	10/1973	Koni	D26/14 B
D. 236,852	9/1975	Reh et al.	D26/14 B X

Primary Examiner—Wallace R. Burke
Assistant Examiner—Catherine Kemper
Attorney, Agent, or Firm—Richard C. Sughrue

[57]

CLAIM

The ornamental design for a video tape recorder cartridge, as shown.

DESCRIPTION

FIG. 1 is a front, top and right side perspective view thereof of a video tape recorder cartridge showing our new design;

FIG. 2 is a rear, bottom and left side perspective view.

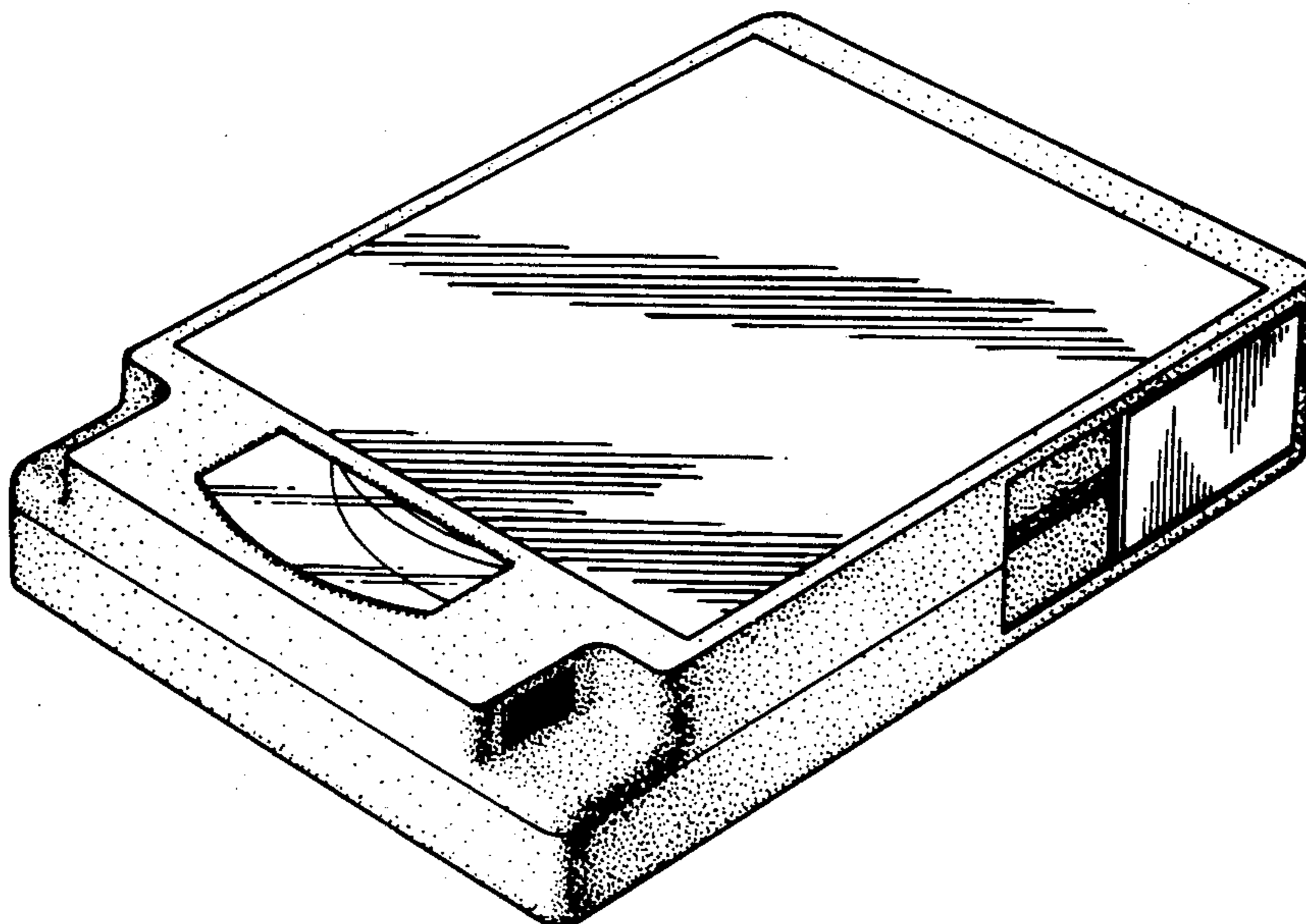


FIG. 1

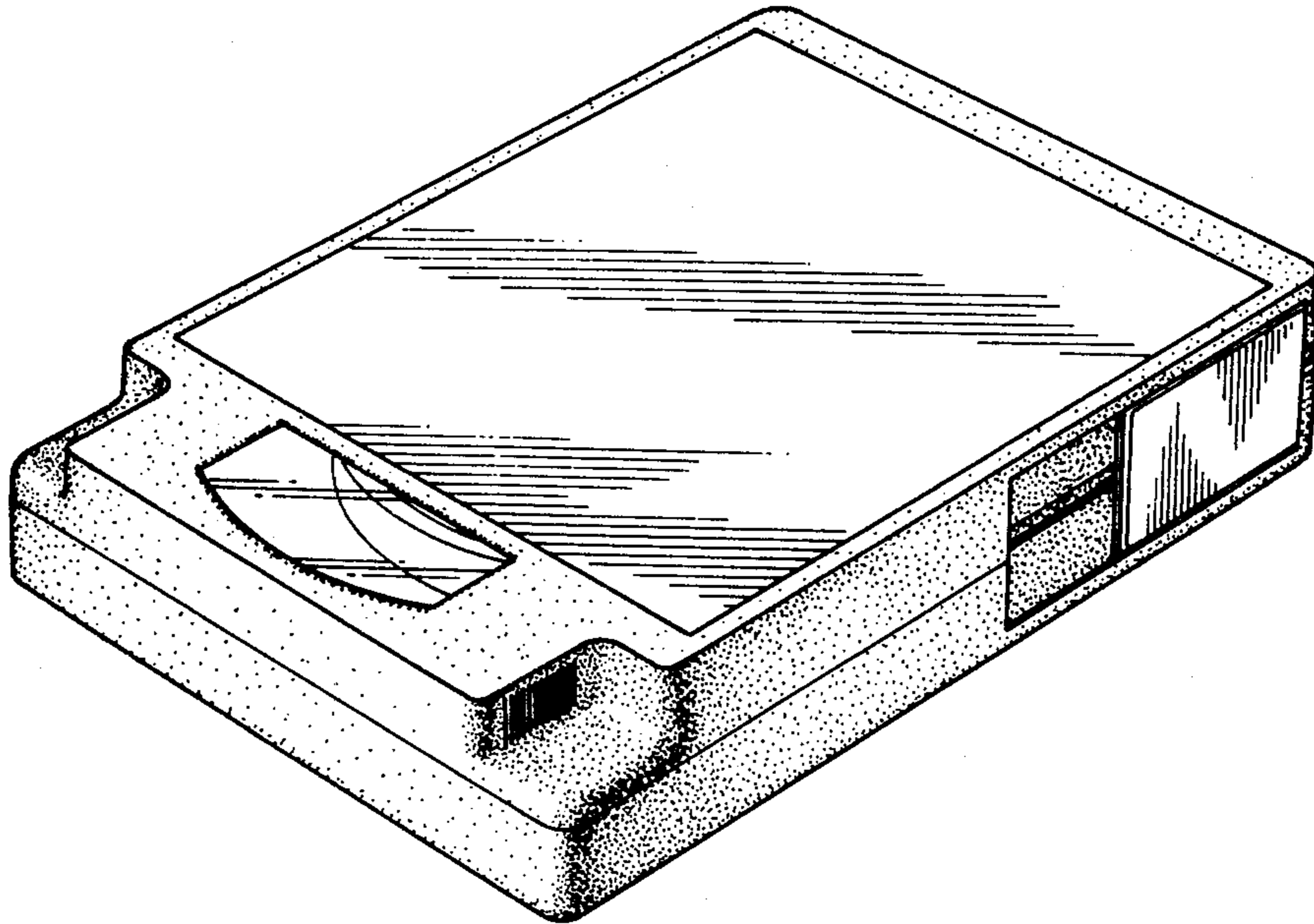


FIG. 2

