

United States Patent [19]
Carpenter

[11] **Des. 245,416**
[45] **** Aug. 16, 1977**

[54] **COMBINED WHEEL CHOCK AND FLAG**

[75] **Inventor: Robert Ray Carpenter, Gastonia, N.C.**

[73] **Assignee: Uniroyal, Inc.**

[**] **Term: 14 Years**

[21] **Appl. No.: 692,603**

[22] **Filed: June 21, 1976**

[51] **Int. Cl. D12-16**

[52] **U.S. Cl. D12/217**

[58] **Field of Search D12/42, 217; 104/257, 104/258, 259, 249; 188/36**

[56] **References Cited**

U.S. PATENT DOCUMENTS

2,918,236 12/1959 Cochran 188/36
D. 236,823 9/1975 Switzer D12/217

Primary Examiner—Wallace R. Burke
Assistant Examiner—James M. Gandy

[57] **CLAIM**

The ornamental design for a combined wheel chock and flag, substantially as shown and described.

DESCRIPTION

FIG. 1 is a perspective view of a combined wheel chock and flag showing my new design;
FIG. 2 is a front elevational view thereof;
FIG. 3 is a top plan view thereof;
FIG. 4 is a left side elevational view thereof; and
FIG. 5 is a right side elevational view thereof.
The broken lines in the drawing are for illustrative purposes only.

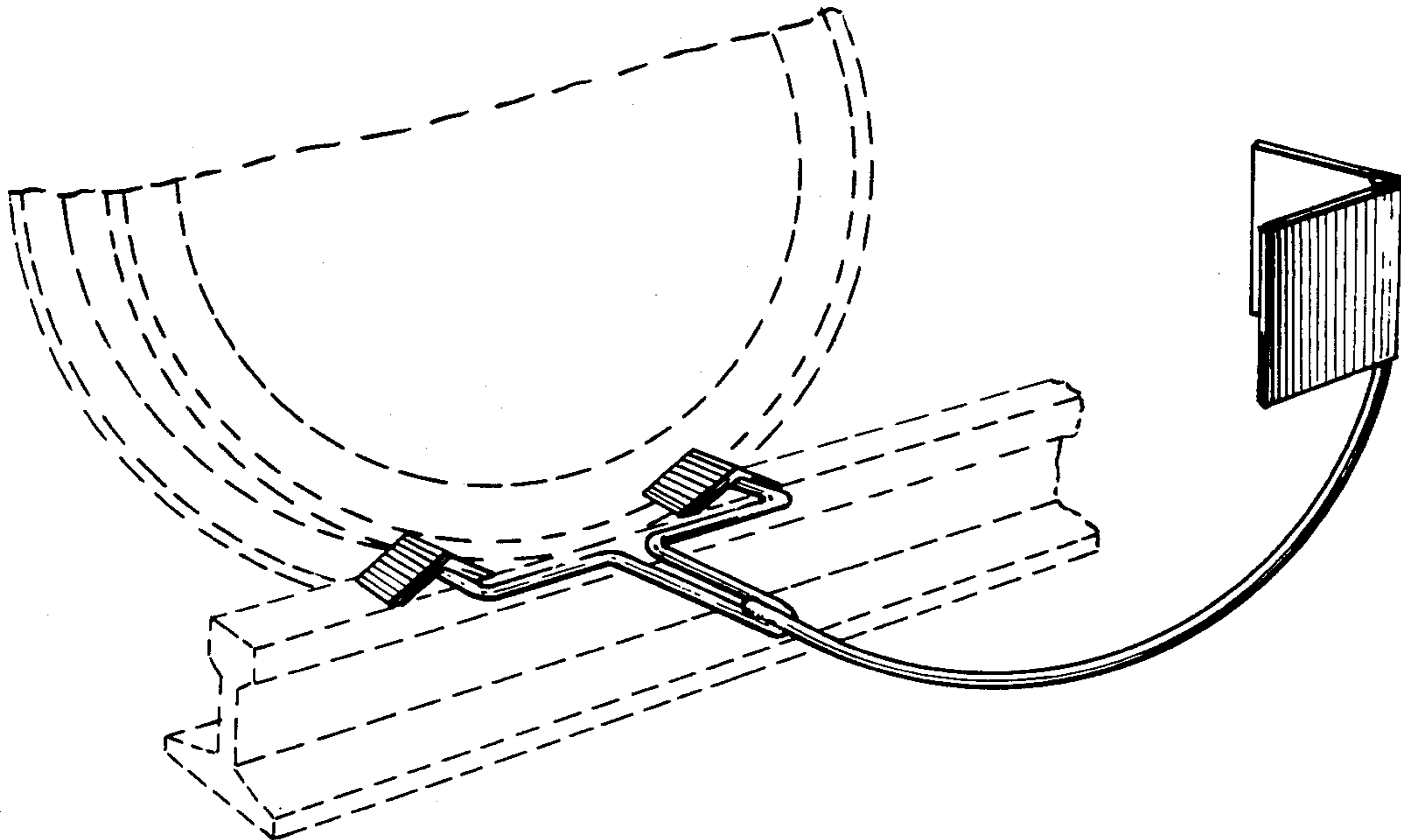


Fig. 1.

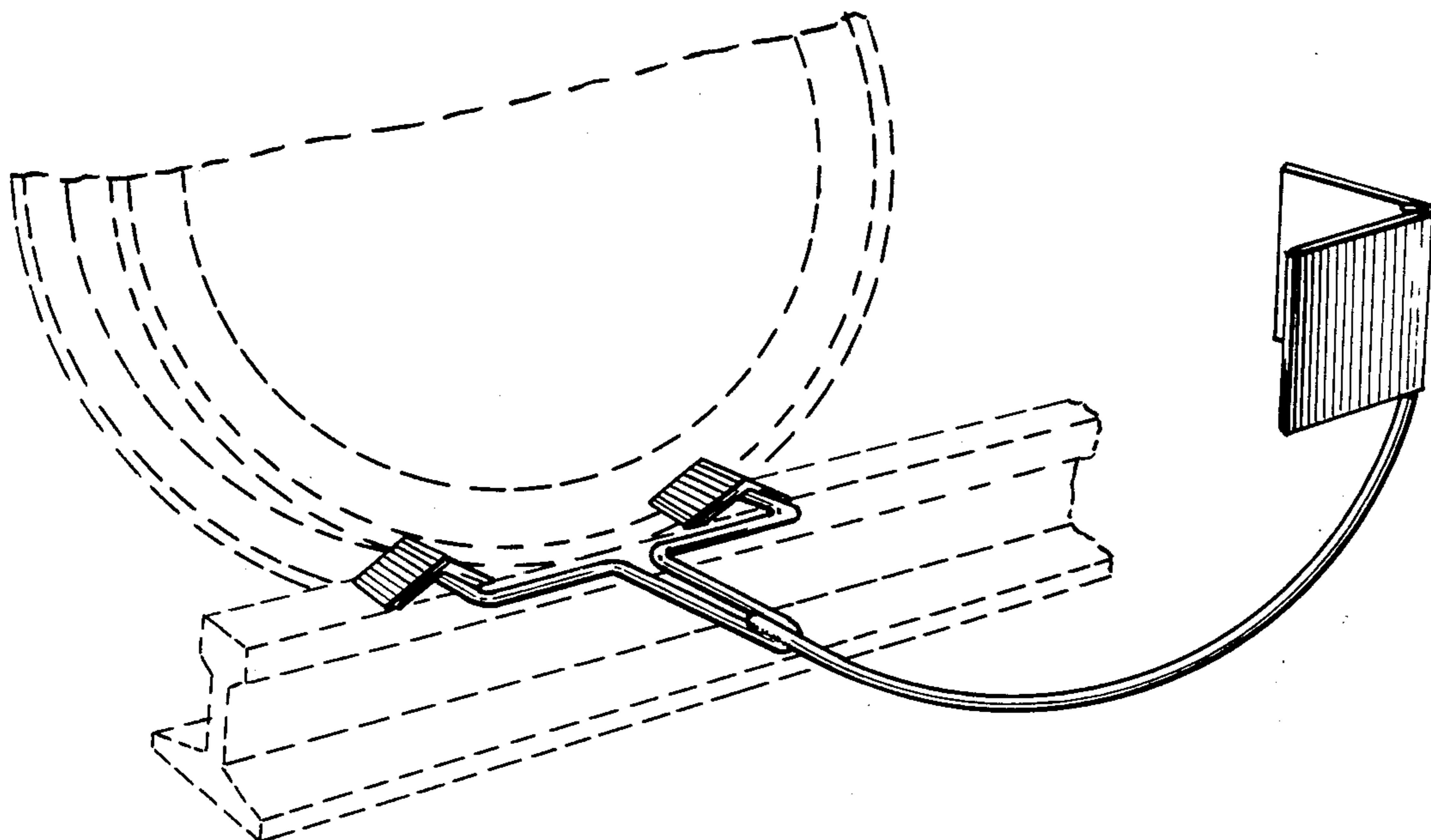


Fig. 2.

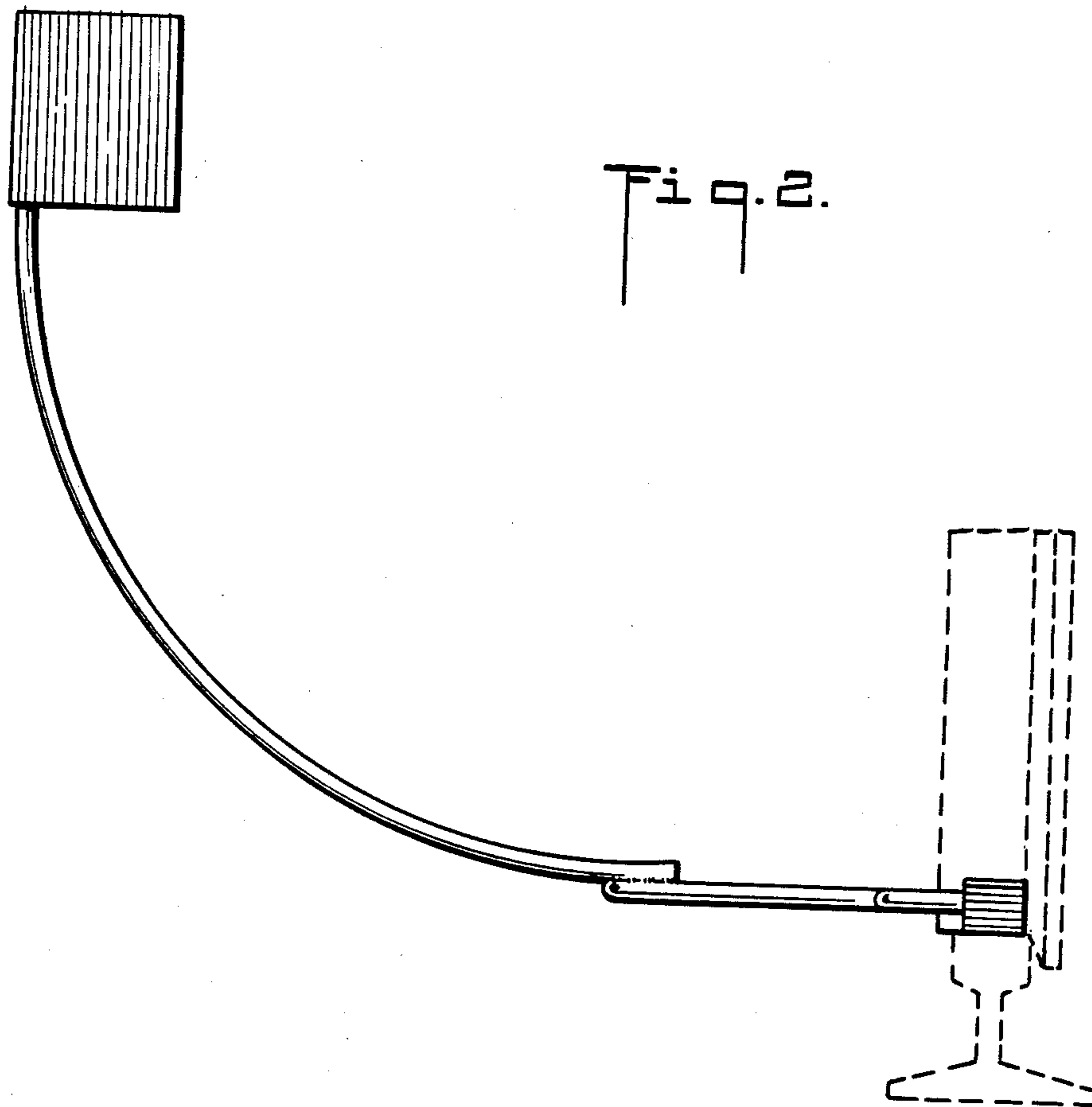


Fig. 3.

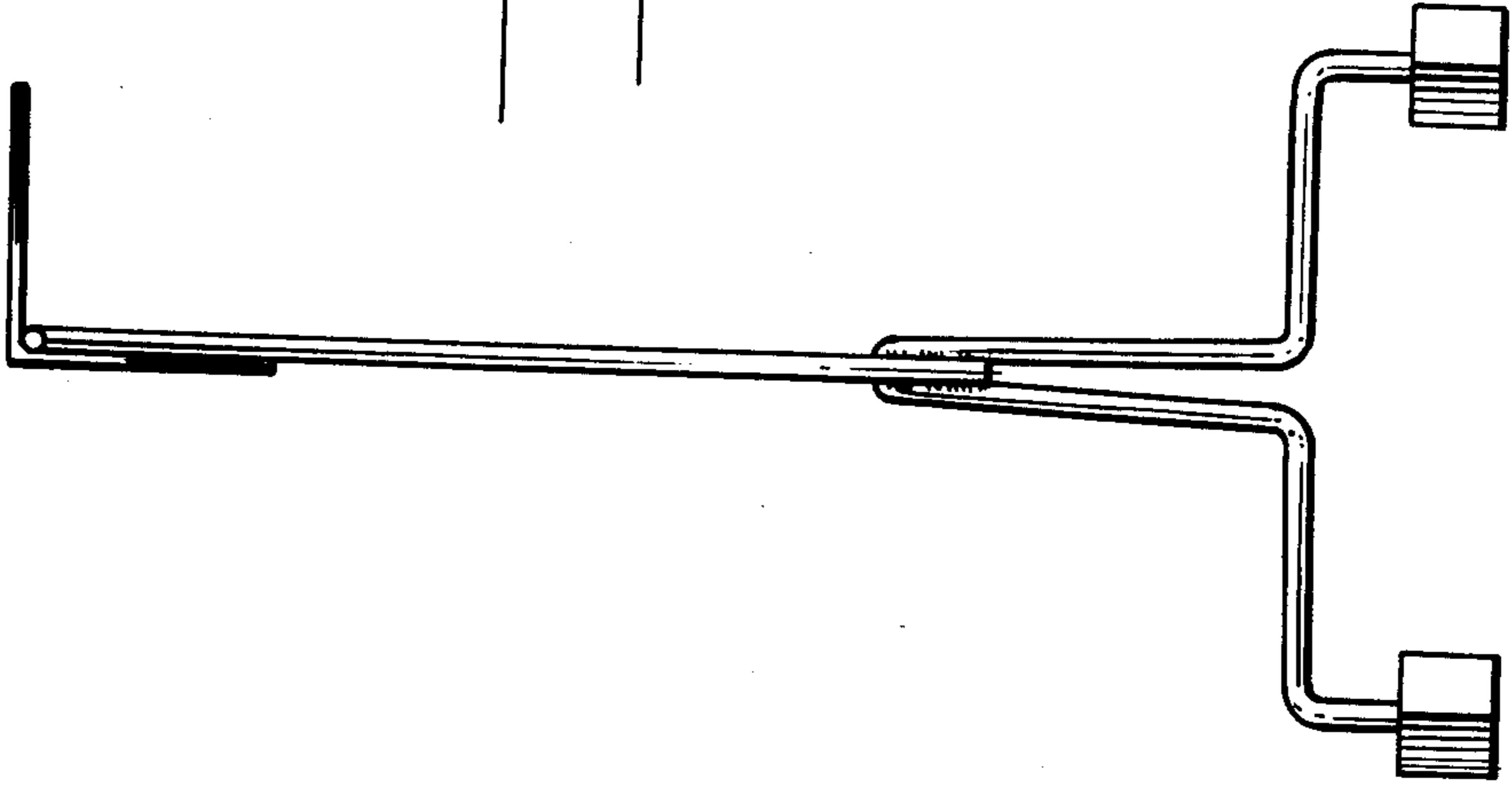


Fig. 4.

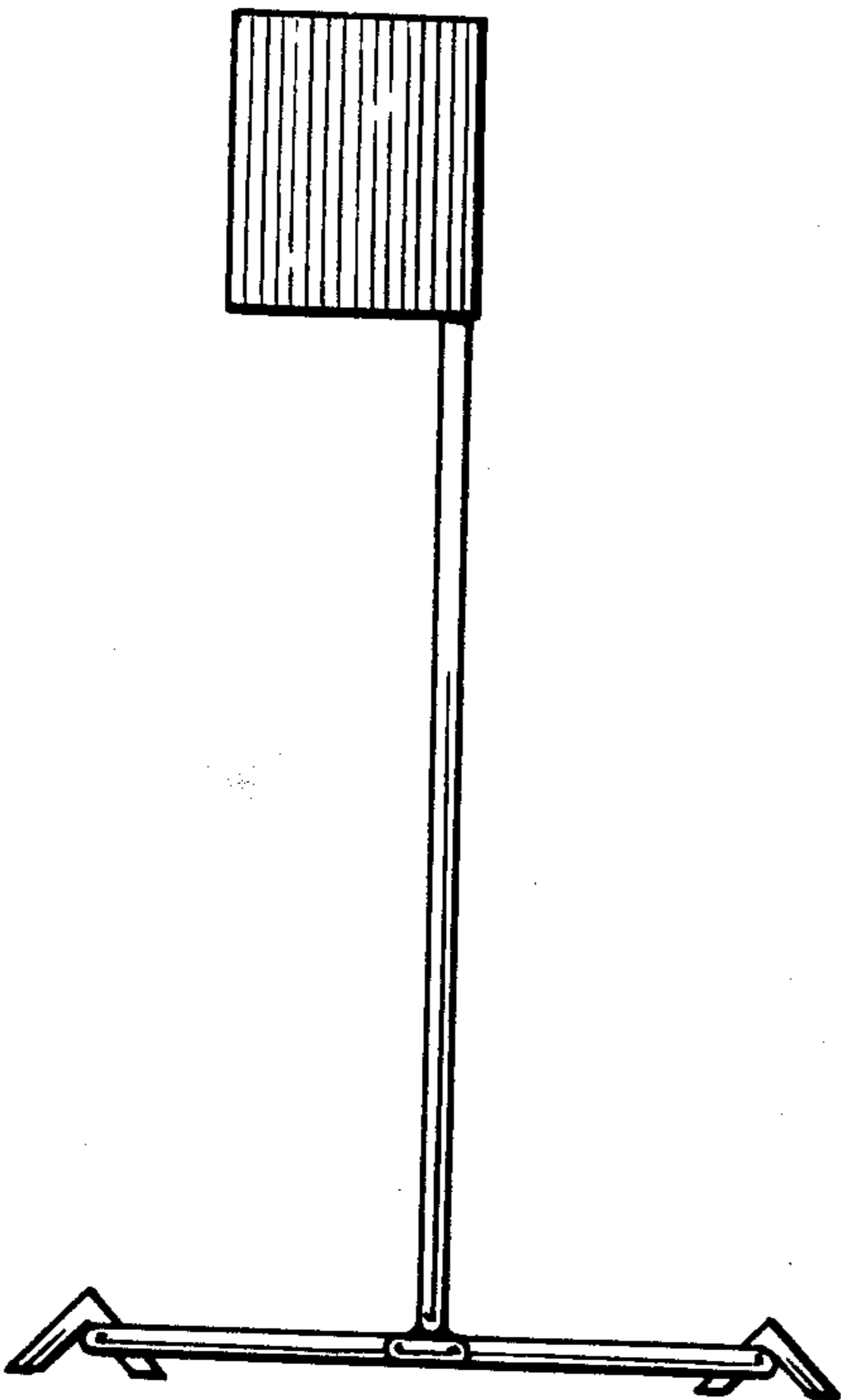


Fig. 5.

