

[54] WHEEL

[75] Inventor: Millard Fillmore Harty, Jr.,
Bloomfield Hills, Mich.

[73] Assignee: Motor Wheel Corporation, Lansing,
Mich.

[**] Term: 14 Years

[21] Appl. No.: 659,546

[22] Filed: Feb. 19, 1976

Related U.S. Application Data

[60] Division of Ser. No. 381,177, July 20, 1973, Pat. No.
Des. 239,268, which is a continuation-in-part of Ser.
No. 140,014, May 3, 1971, abandoned.

[51] Int. Cl. D12-16

[52] U.S. Cl. D12/209

[58] Field of Search D12/135, 152, 204, 205,
D12/209-211; 301/6 CS, 9 DN, 37 P, 37 ST,
37 TC, 63 R, 64 R, 64 SD, 65

[56] References Cited

U.S. PATENT DOCUMENTS

D. 96,315	7/1935	Hunt	D12/209
D. 215,279	9/1969	Mitchell	D12/211
D. 219,013	10/1970	Mitchell	D12/211
D. 219,015	10/1970	Reid	D12/211

FOREIGN PATENT DOCUMENTS

1,915,146	11/1969	Germany	301/65
-----------	---------	---------	-------	--------

OTHER PUBLICATIONS

Namsco Wheel Catalog, No. 66, p. 3, Rec'd 4/3/67,
Wood Spoke Design, bottom right side of page.
Sports Car Graphic, 4/64, p. 69, Halibrand Wheel,
center of page.

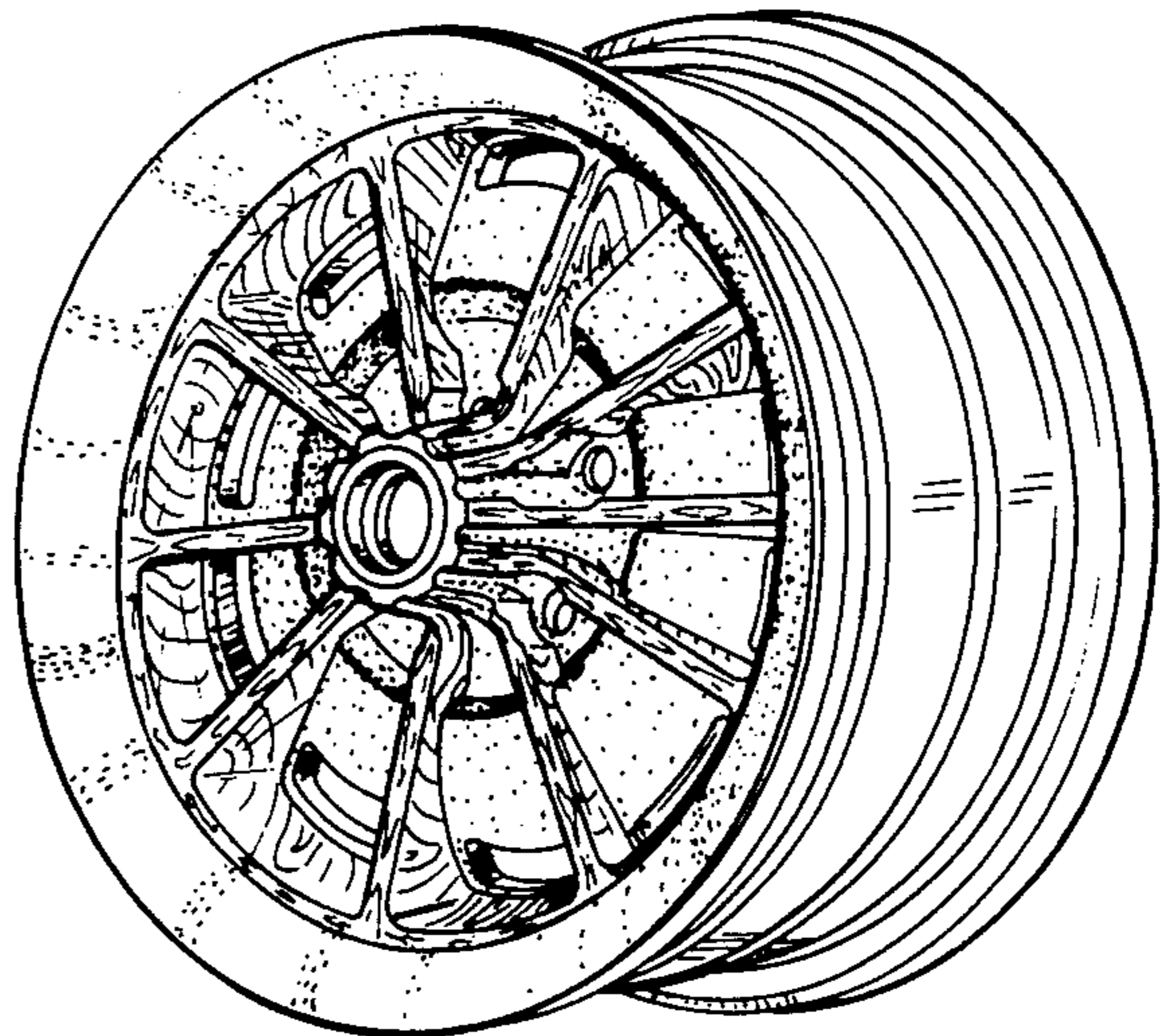
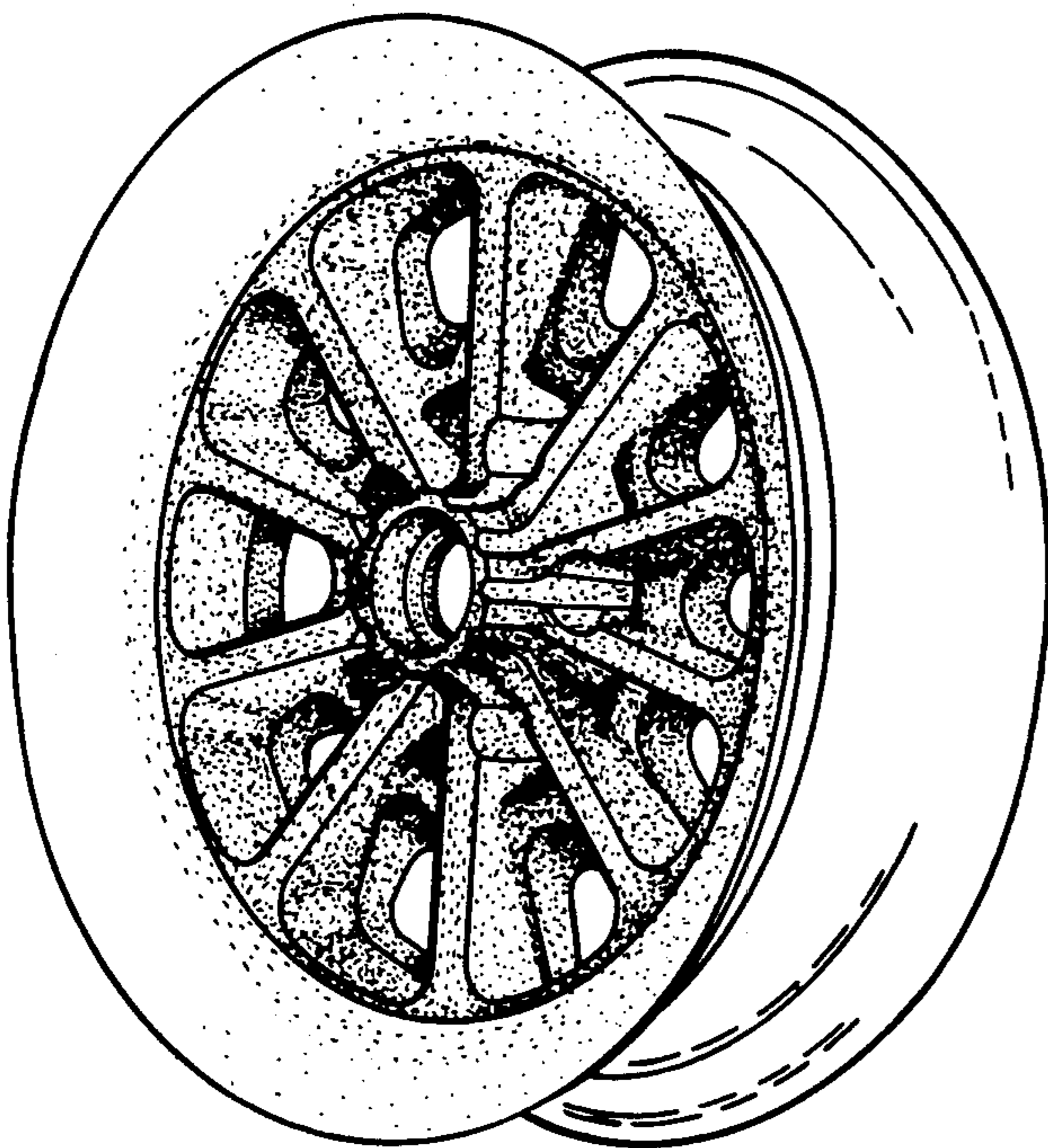
Primary Examiner—Wallace R. Burke
Assistant Examiner—James M. Gandy
Attorney, Agent, or Firm—Arthur Raisch

[57] CLAIM

The ornamental design for a wheel, substantially as
shown and described.

DESCRIPTION

FIG. 1 is a front perspective view of a wheel showing
my new design;
FIG. 2 is a front elevational view thereof;
FIG. 3 is a sectional view thereof taken along line 3—3
in FIG. 2;
FIG. 4 is a front perspective view thereof without the
wood grain surface ornamentation on the radiating
flanges and outboard side of the wheel rim;
FIG. 5 is a front elevational view of FIG. 4;
FIG. 6 is a front perspective view of a wheel showing a
second embodiment of my new design;
FIG. 7 is a front elevational view of FIG. 6; and
FIG. 8 is a sectional view of FIG. 6 taken along the line
8—8 in FIG. 7.
The wood graining shown in FIGS. 1-3 is surface orna-
mentation on the elastomeric material applied to the
wheel.



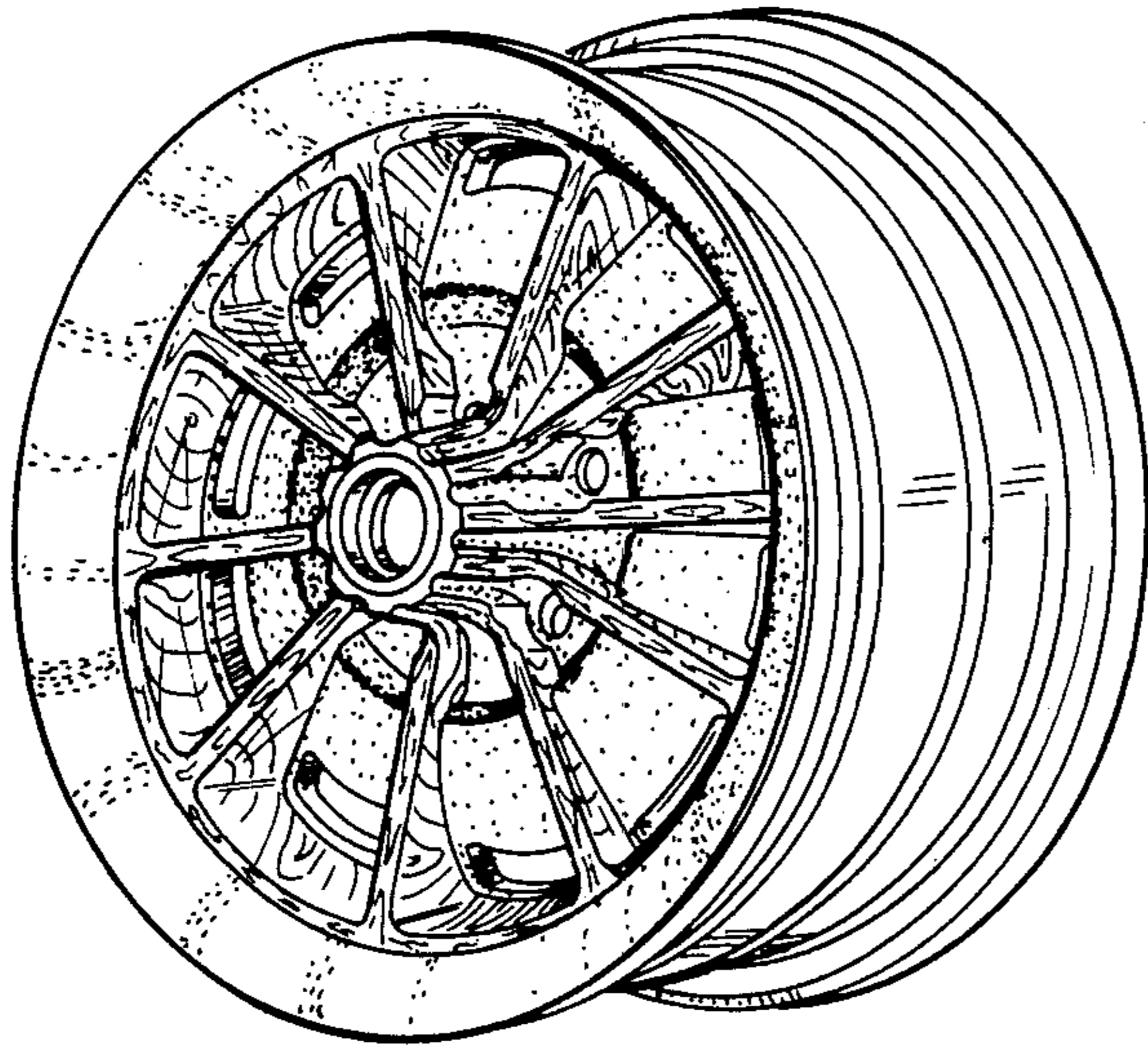


Fig-1

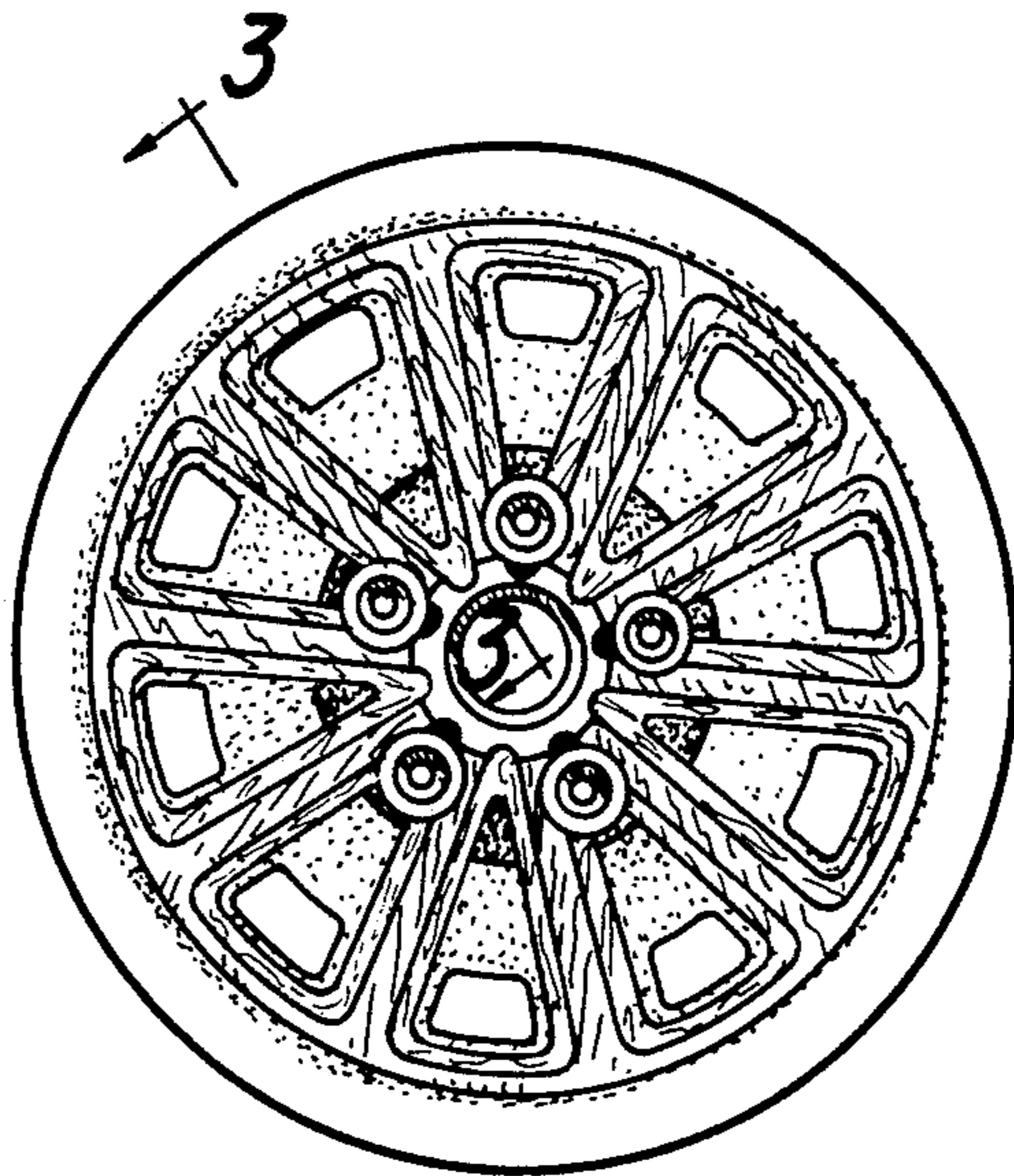


Fig-2

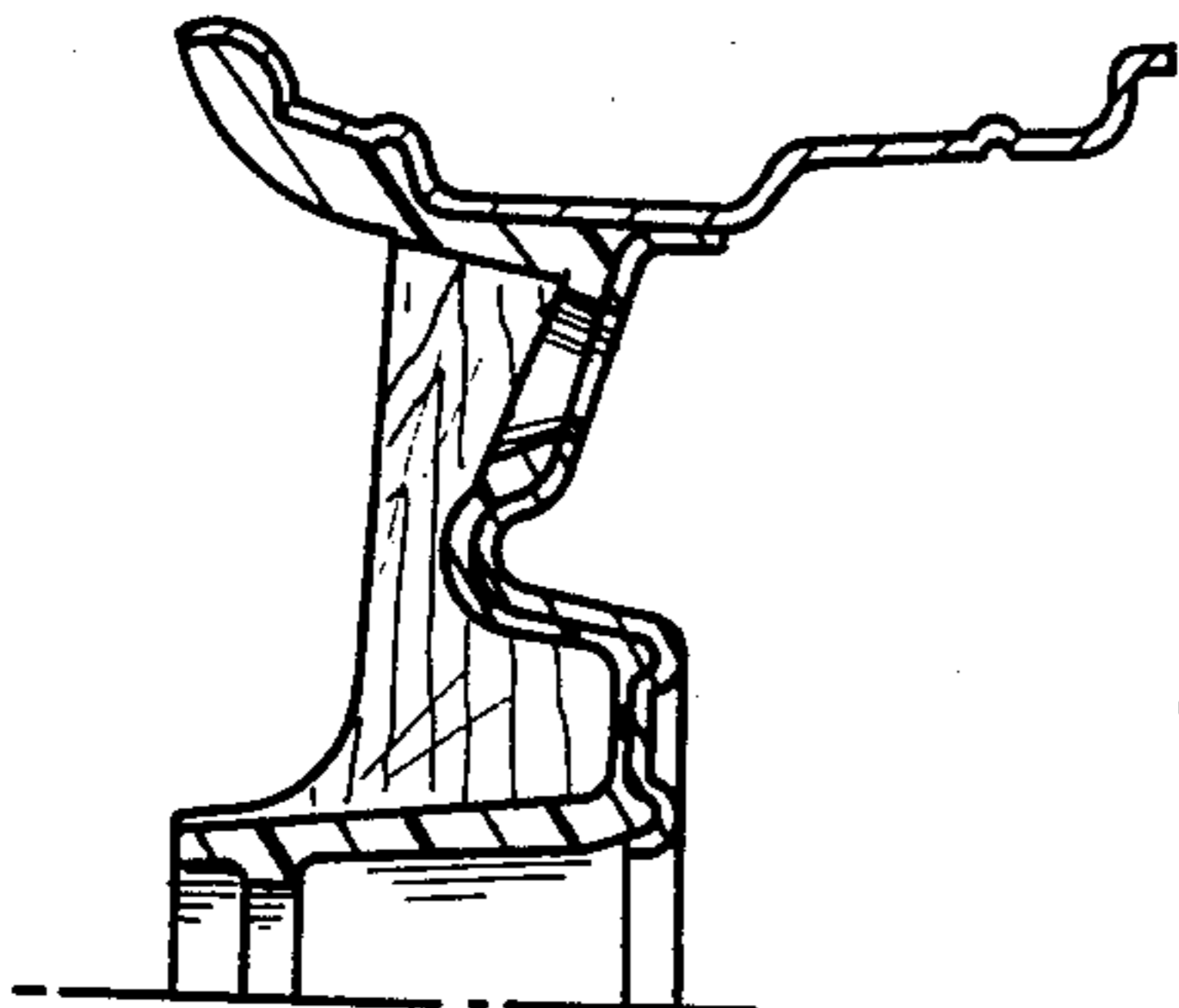


Fig-3

Fig-4

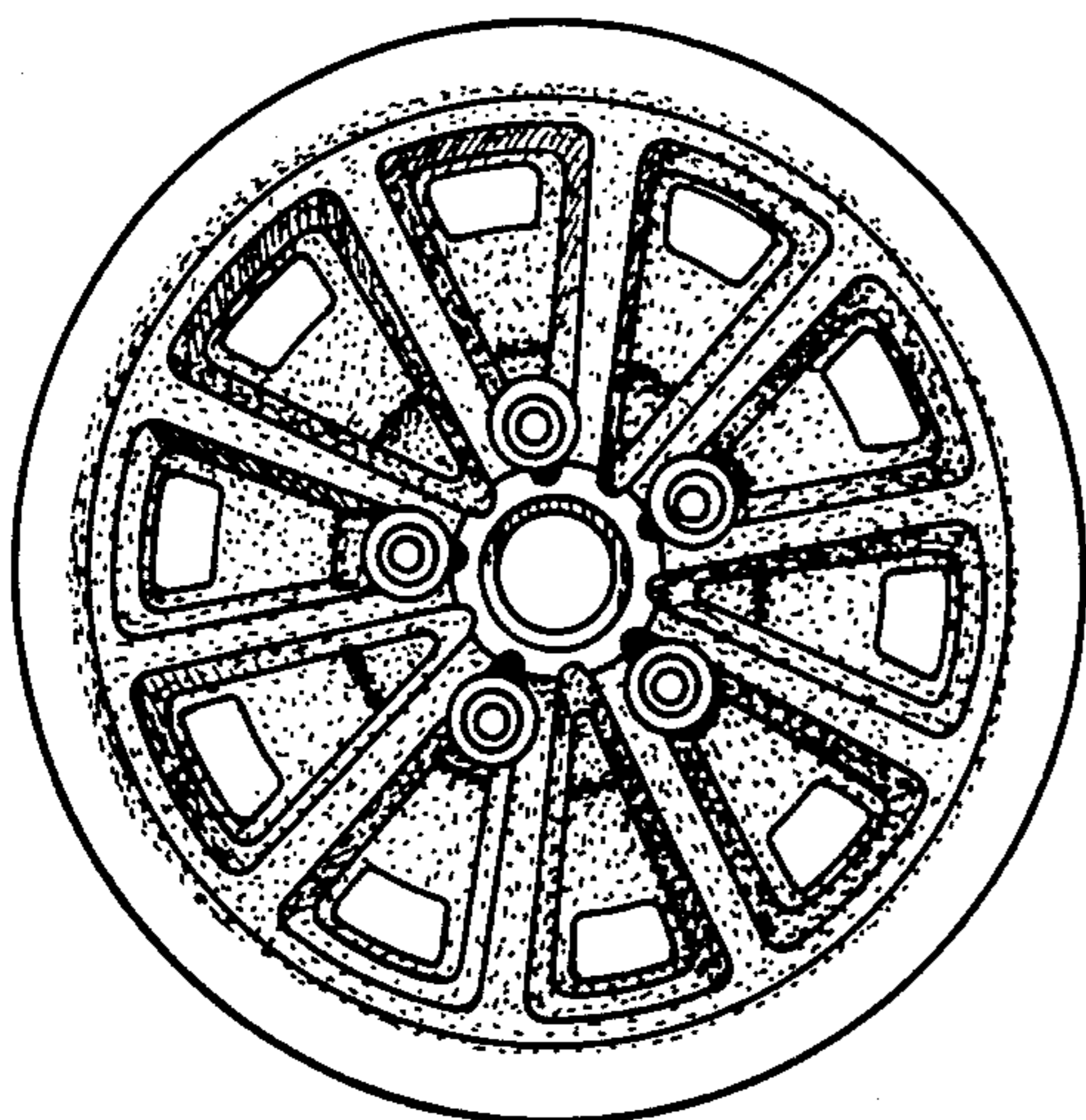
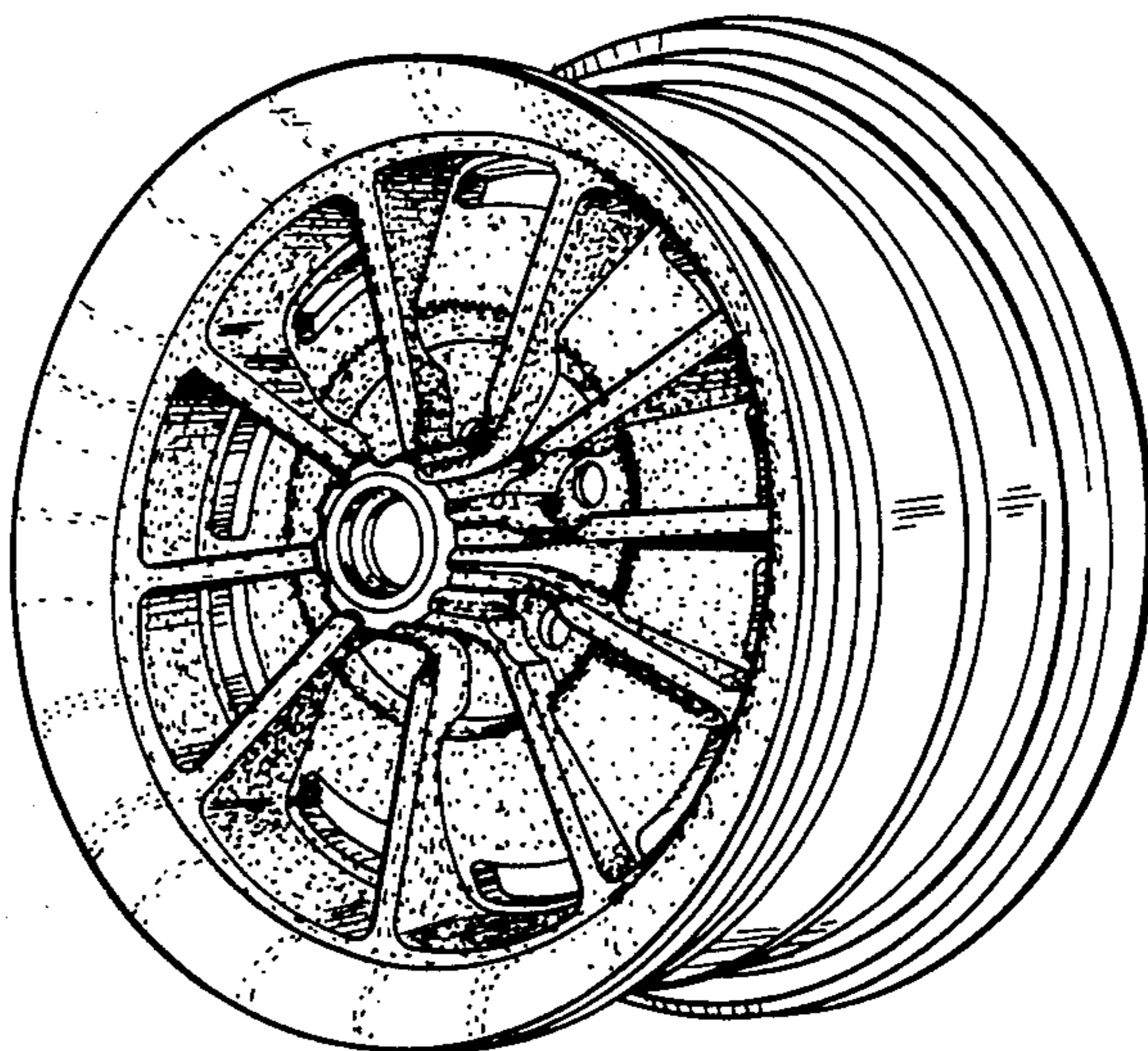
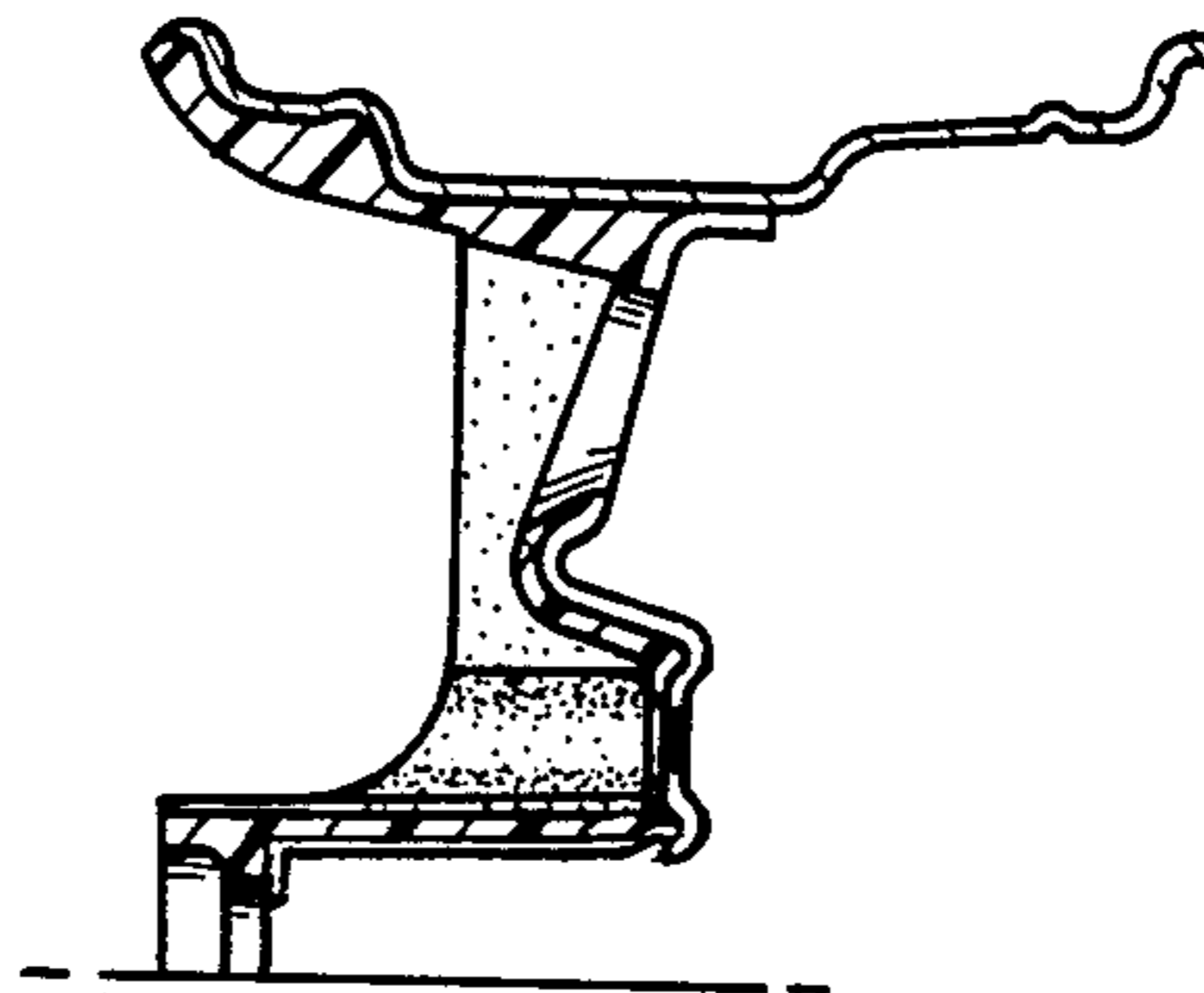


Fig-5

Fig-8



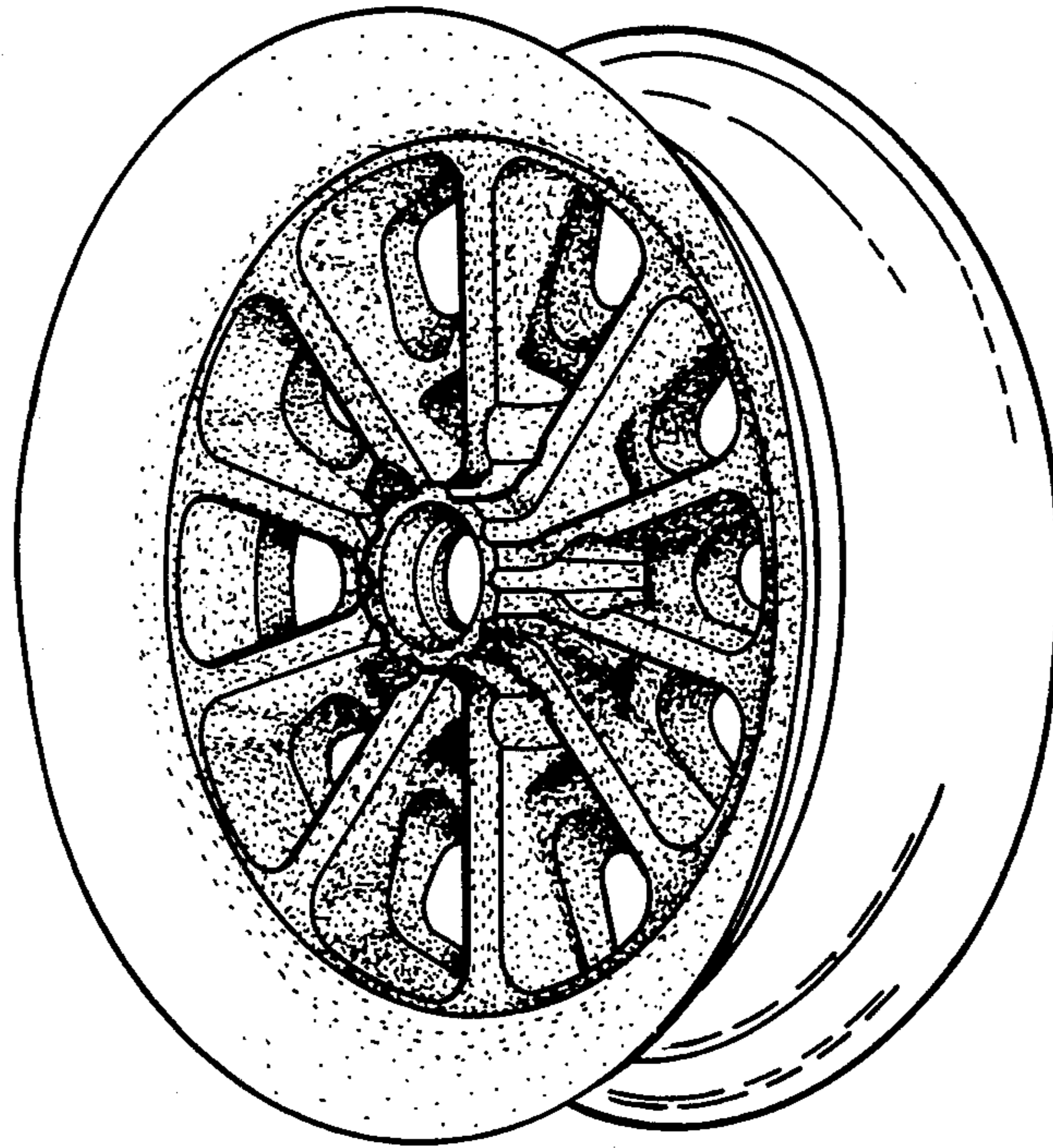


Fig-6

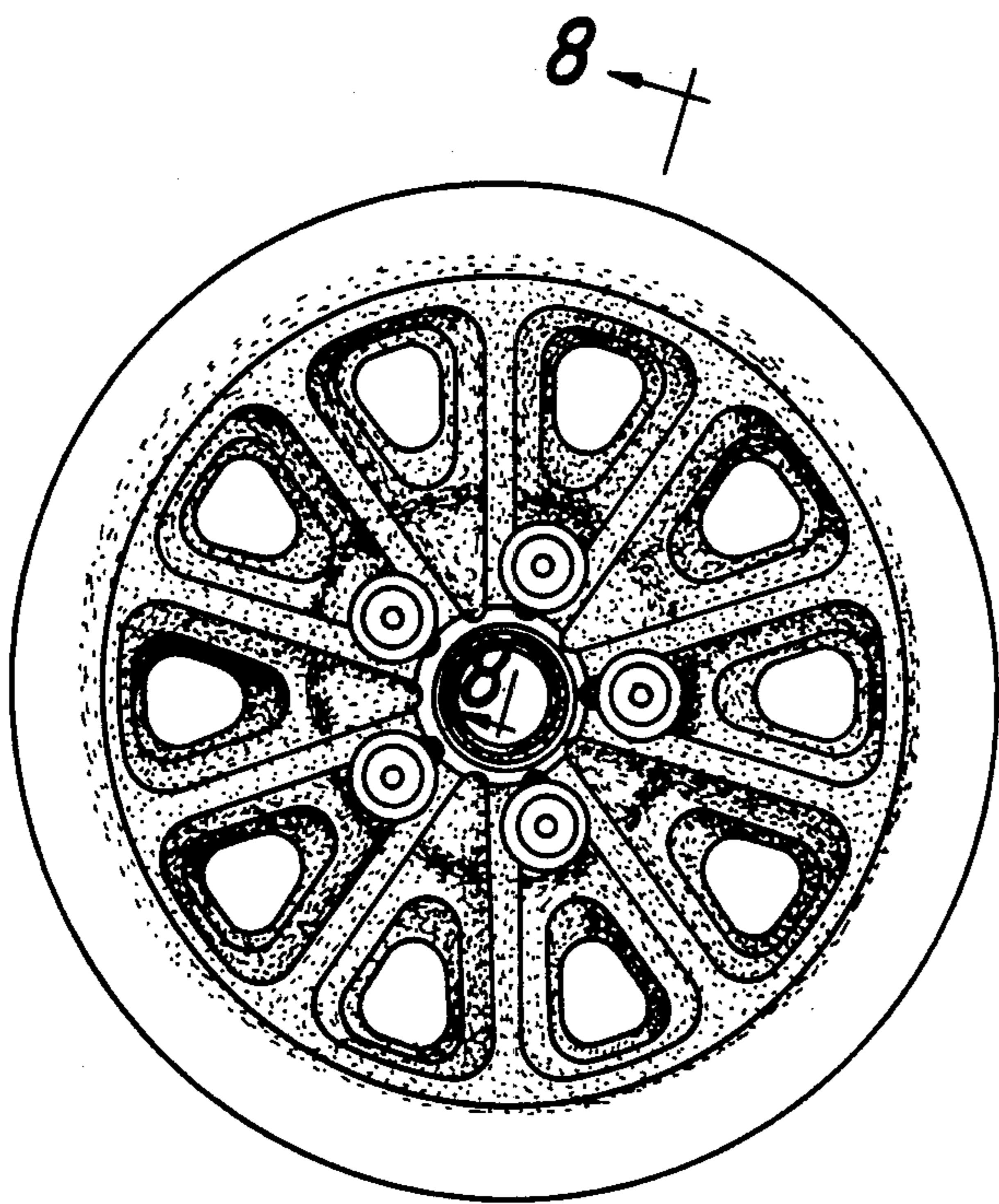


Fig-7