

# United States Patent [19]

Ashbaugh et al.

[11] **Des. 245,414**

[45] \*\* **Aug. 16, 1977**

[54] **OVERHEAD CONSOLE FOR VANS**

3,773,378 11/1973 Lewis ..... D12/155

[76] Inventors: **Fredrick A. Ashbaugh**, 302 Prairie Lane, Belton, Mo. 64012; **Rodney L. Wickwar**, 12734 Overhill Ave., Grandview, Mo. 64030

[\*\*] Term: **14 Years**

[21] Appl. No.: **663,719**

[22] Filed: **Mar. 4, 1976**

[51] Int. Cl. .... **D12-16**

[52] U.S. Cl. .... **D12/155**

[58] Field of Search ..... D12/155, 192; 180/90; 296/70, 1 R, 37; 224/42.1 C, 42.42 R, 42.46, 29 R, 42.45, 42.11; 312/245, 246, 7 R; 108/44, 47, 48

[56] **References Cited**

**U.S. PATENT DOCUMENTS**

1,941,961 1/1934 Tichenor et al. .... 180/90 UX  
2,023,719 12/1935 Arrison ..... 180/90

**OTHER PUBLICATIONS**

J. C. Whitney Catalog No. 345, © 1975, p. B, Stereo Entertainment Console, lower left side of page.

J. C. Whitney Catalog No. 345, © 1975, p. 129, Storage Shelves, upper left side of page.

*Primary Examiner*—Wallace R. Burke

*Assistant Examiner*—James M. Gandy

*Attorney, Agent, or Firm*—William B. Kircher

[57] **CLAIM**

The ornamental design for an overhead console for vans, as shown.

**DESCRIPTION**

FIG. 1 is a perspective view of the overhead console for vans showing our new design;

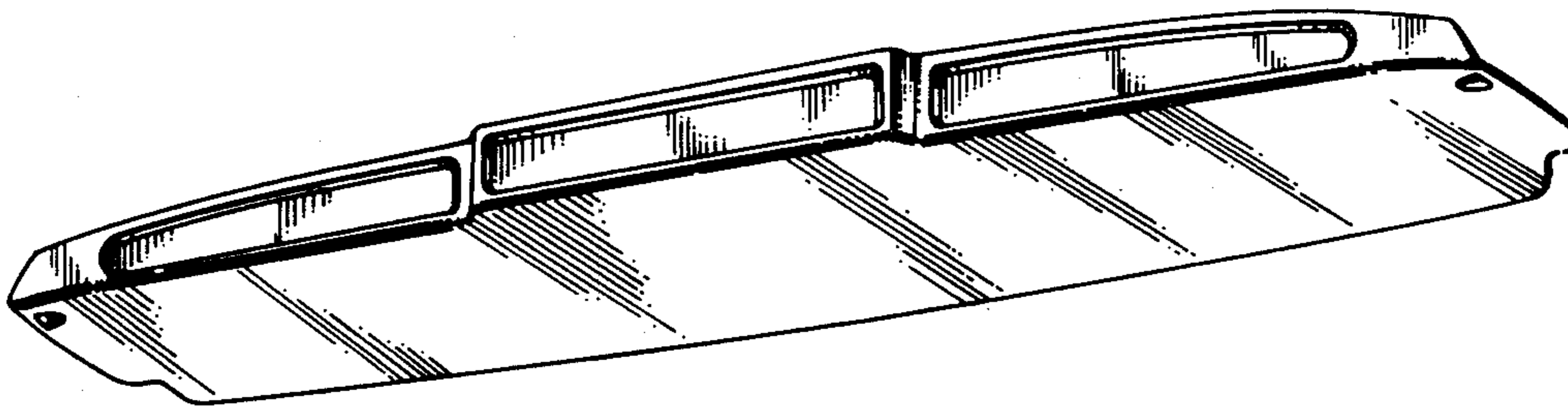
FIG. 2 is a front elevational view thereof;

FIG. 3 is a bottom plan view thereof;

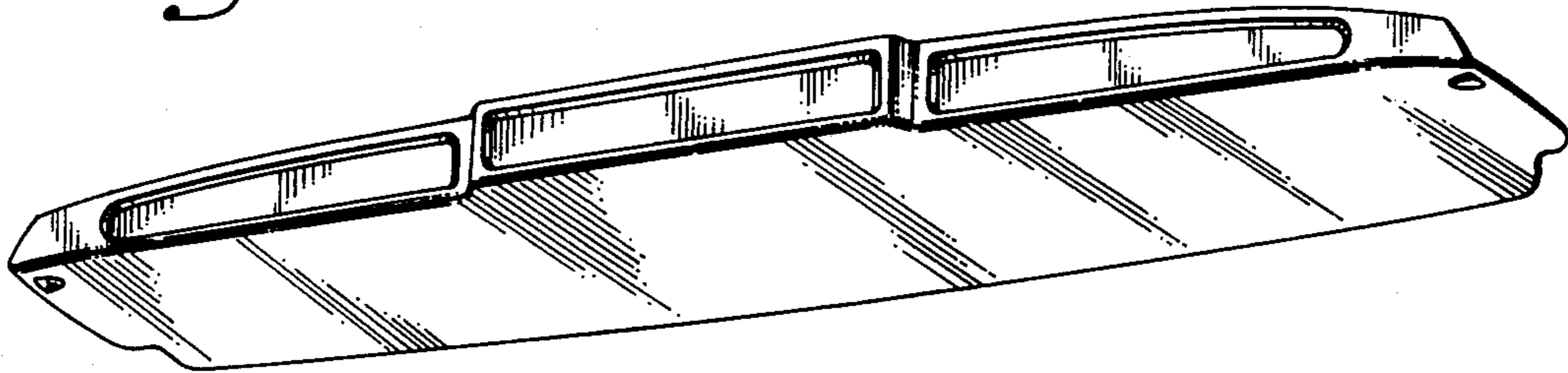
FIG. 4 is a side elevational view thereof;

FIG. 5 is a top plan view thereof; and

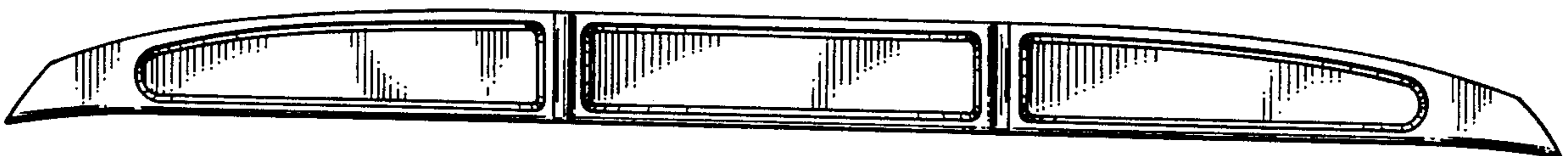
FIG. 6 is a rear elevational view thereof.



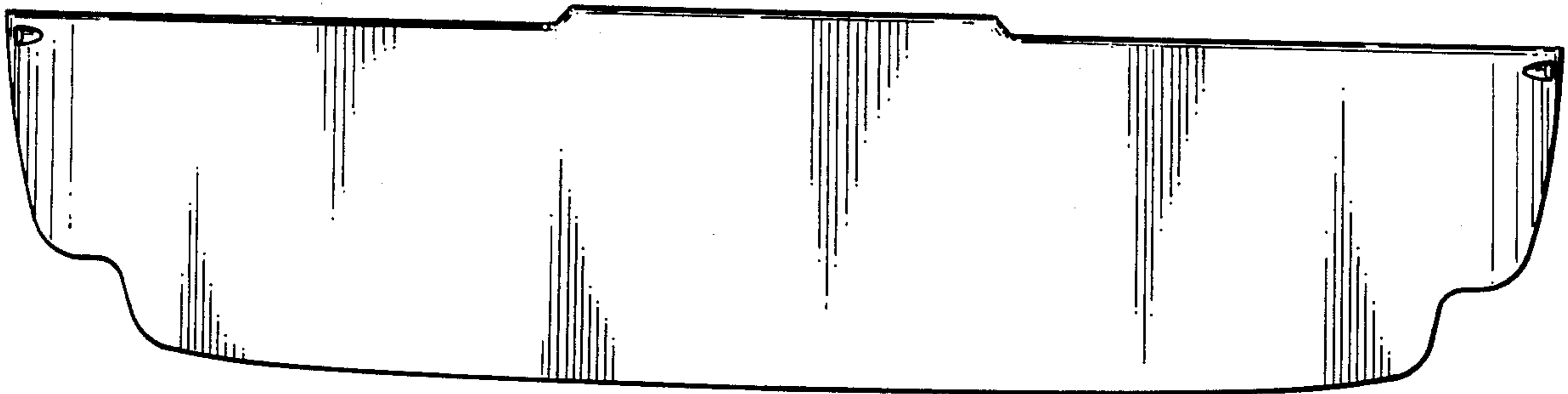
*Fig. 1.*



*Fig. 2.*



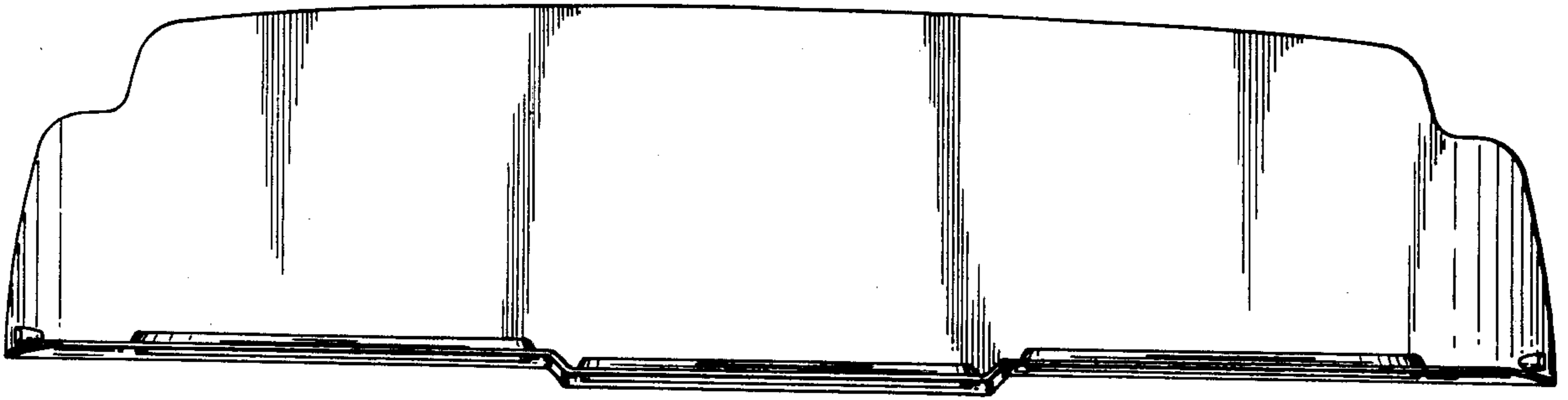
*Fig. 3.*



*Fig. 4.*



*Fig. 5.*



*Fig. 6.*

