

[54] COVER FOR ELECTRIC BICYCLE MOTOR AND BATTERY

[75] Inventor: Lawrence L. Ray, San Jose, Calif.

[73] Assignee: Bolt Vehicles, Inc., Palo Alto, Calif.

[\*\*] Term: 14 Years

[21] Appl. No.: 612,235

[22] Filed: Sept. 11, 1975

[51] Int. Cl. .... D12-11

[52] U.S. Cl. .... D12/126

[58] Field of Search ..... D12/114, 126, 110; 180/35, 34, 30 R, 33 R; 280/289 G, 289 R

[56] References Cited

FOREIGN PATENT DOCUMENTS

531,638 9/1954 Belgium ..... 180/35

OTHER PUBLICATIONS

Chiorda Catalog, rec'd. Mar. 1, 1970, p. 13, cover for motor.

Primary Examiner—Wallace R. Burke  
Assistant Examiner—James M. Gandy  
Attorney, Agent, or Firm—Harvey W. Mortimer

[57] CLAIM

The ornamental design for a cover for electric bicycle motor and battery, as shown and described.

DESCRIPTION

FIG. 1 is a perspective view of a cover for electric bicycle motor and battery showing my new design, it being understood that the broken lines are for illustrative purposes only;

FIG. 2 is an enlarged perspective view thereof;

FIG. 3 is a top plan view of FIG. 2;

FIG. 4 is a left side elevational view of FIG. 2;

FIG. 5 is a right side elevational view of FIG. 2;

FIG. 6 is a front elevational view of FIG. 2;

FIG. 7 is a rear elevational view of FIG. 2; and

FIG. 8 is a bottom plan view of FIG. 2.

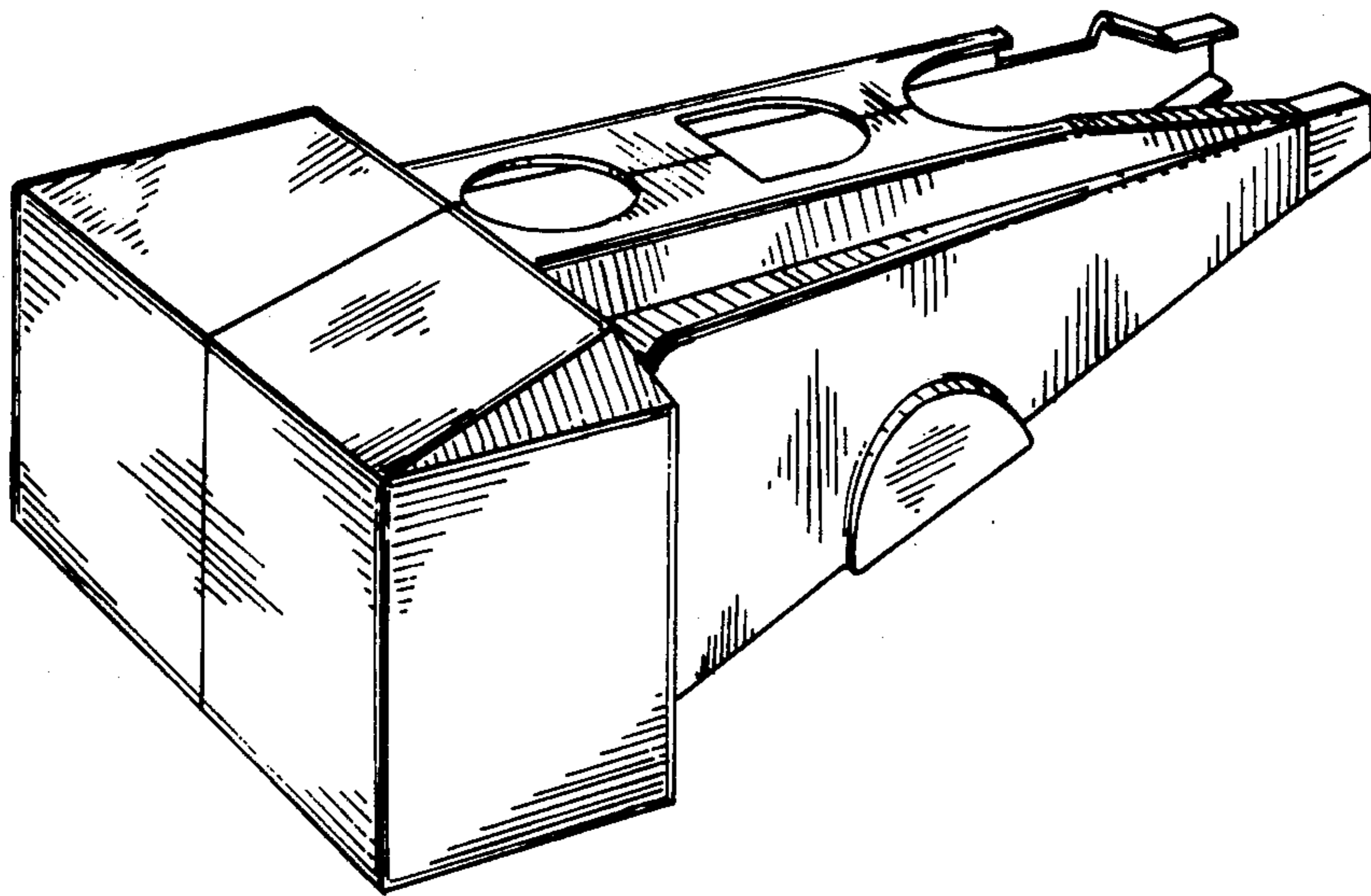


FIG. 1

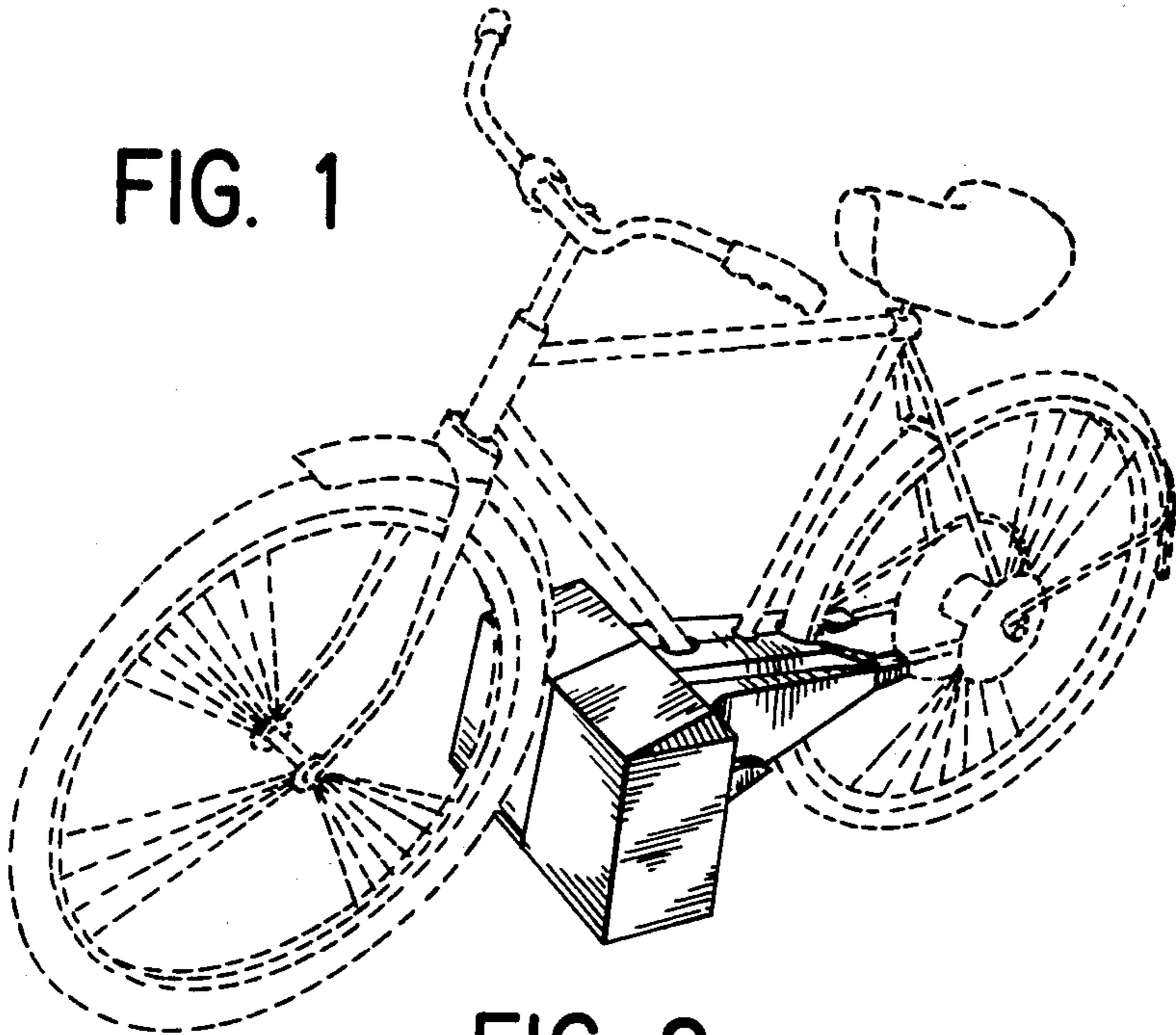


FIG. 2

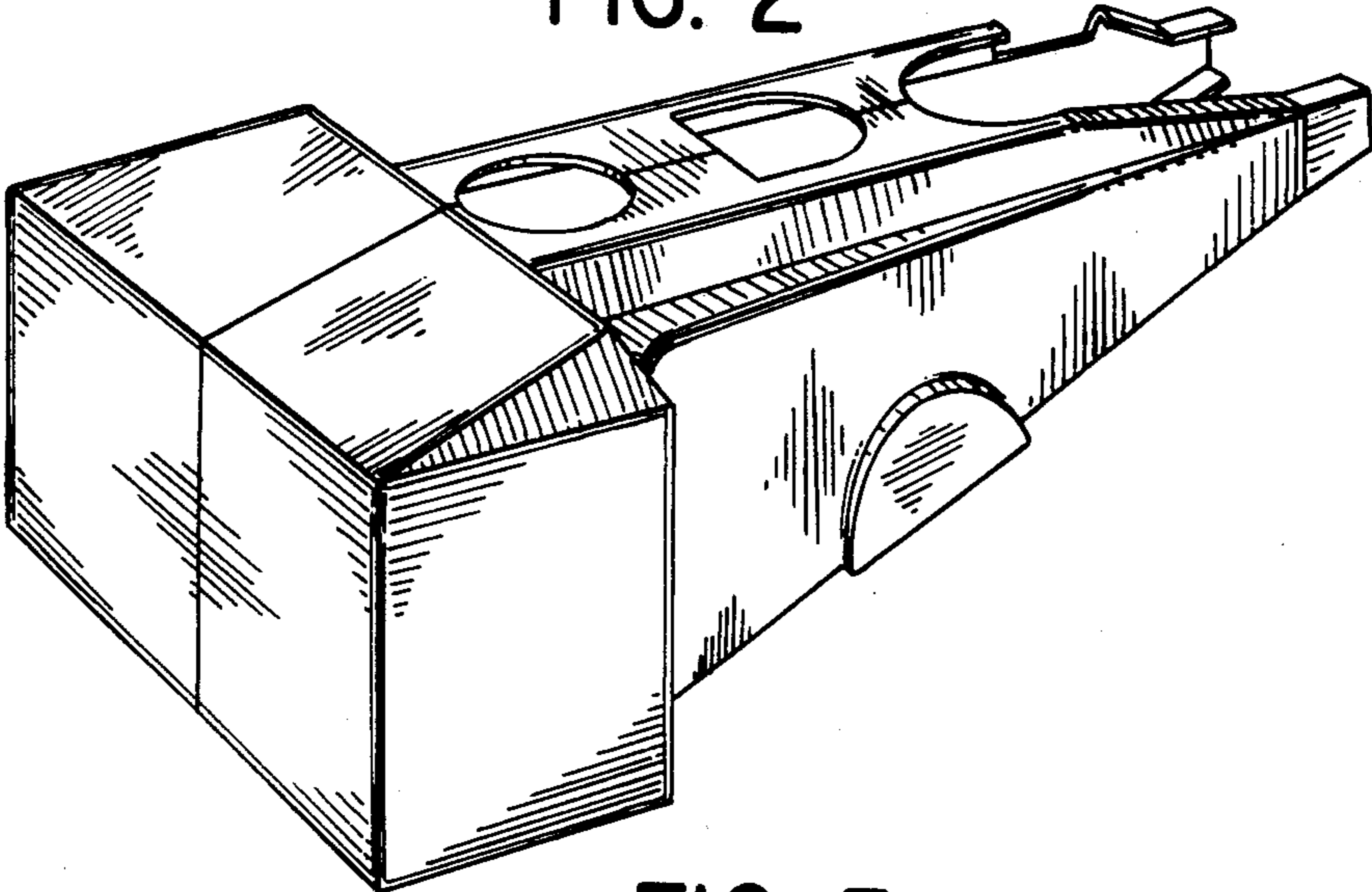


FIG. 3

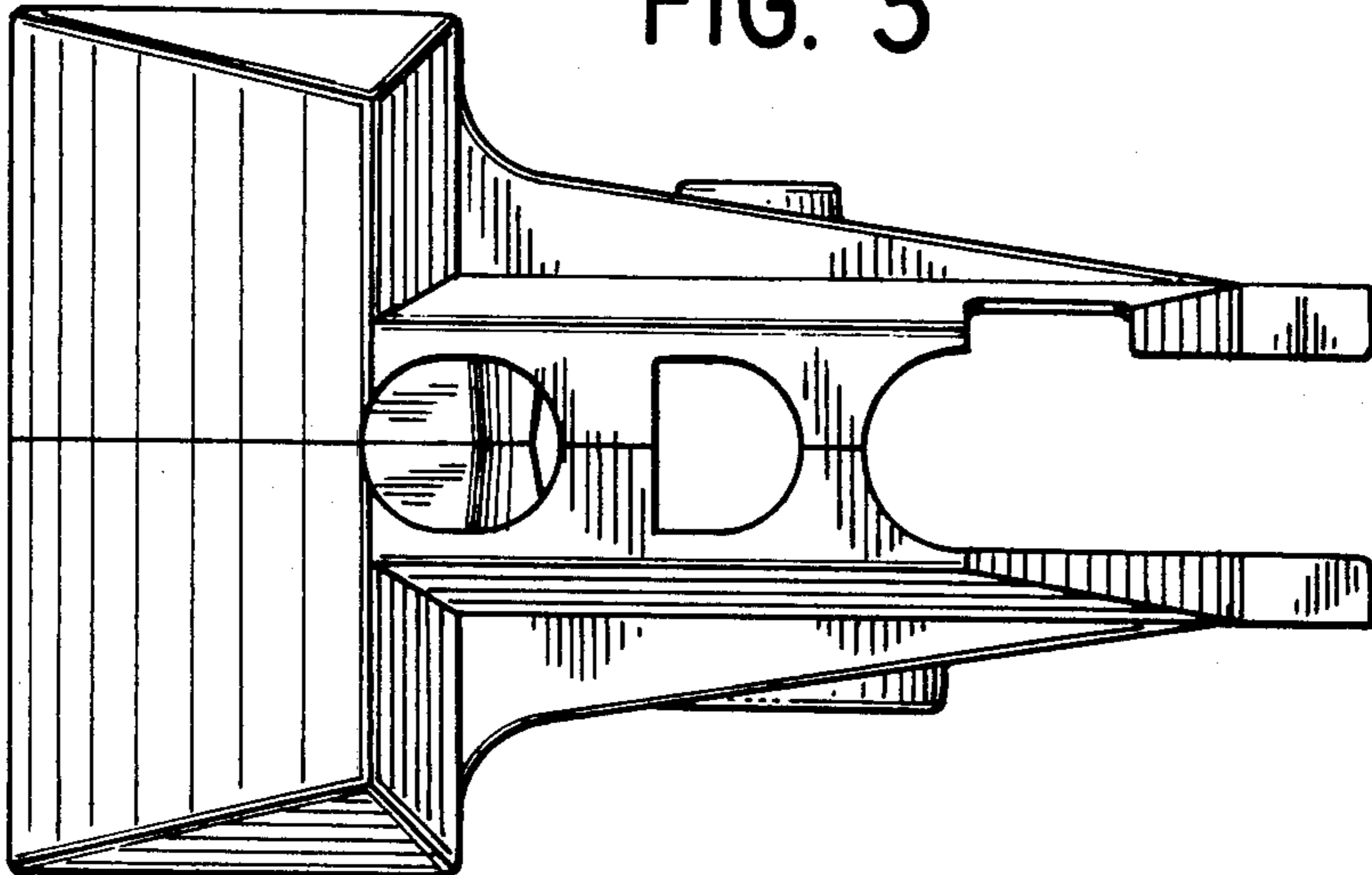


FIG. 4

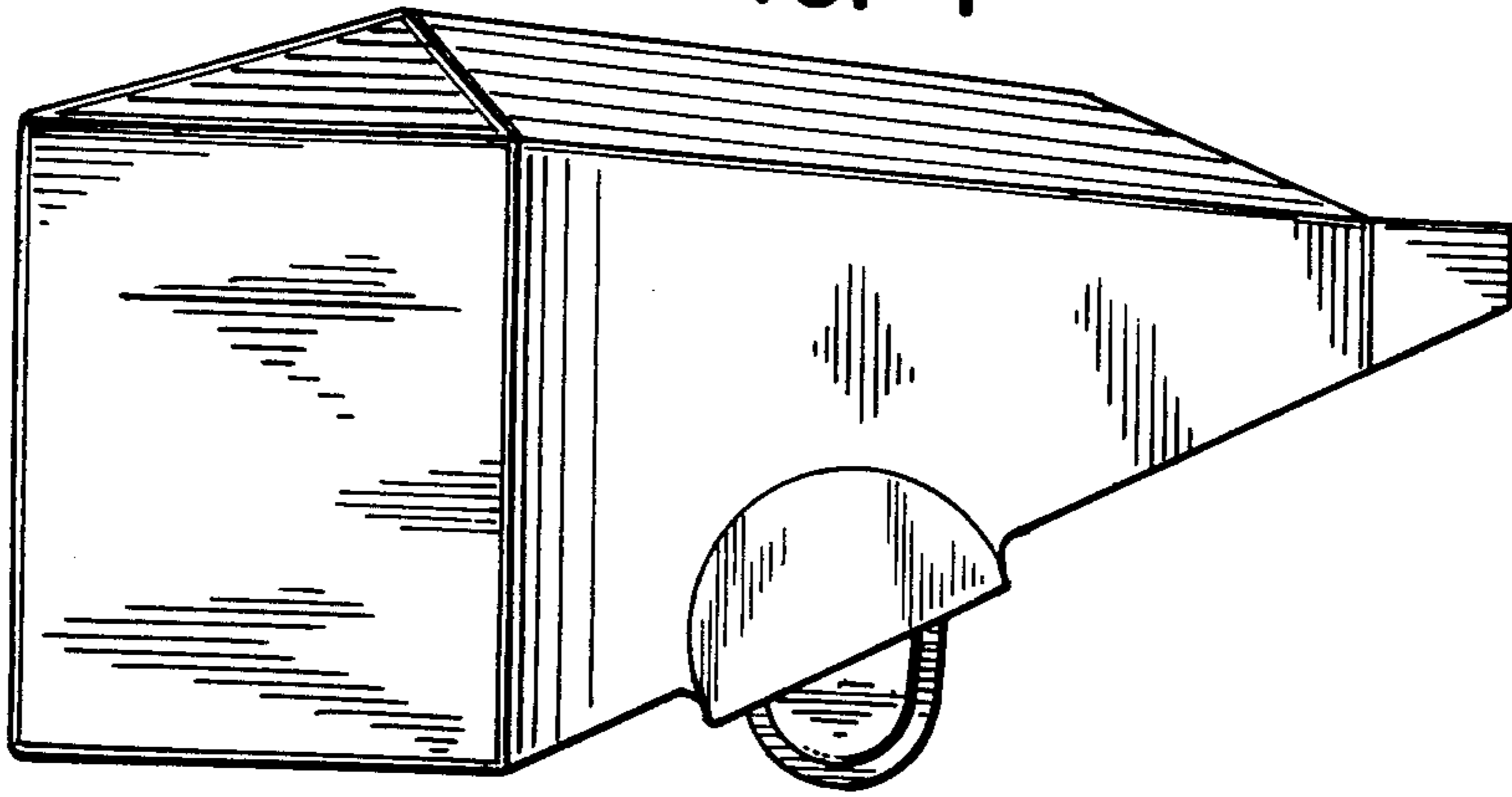


FIG. 5

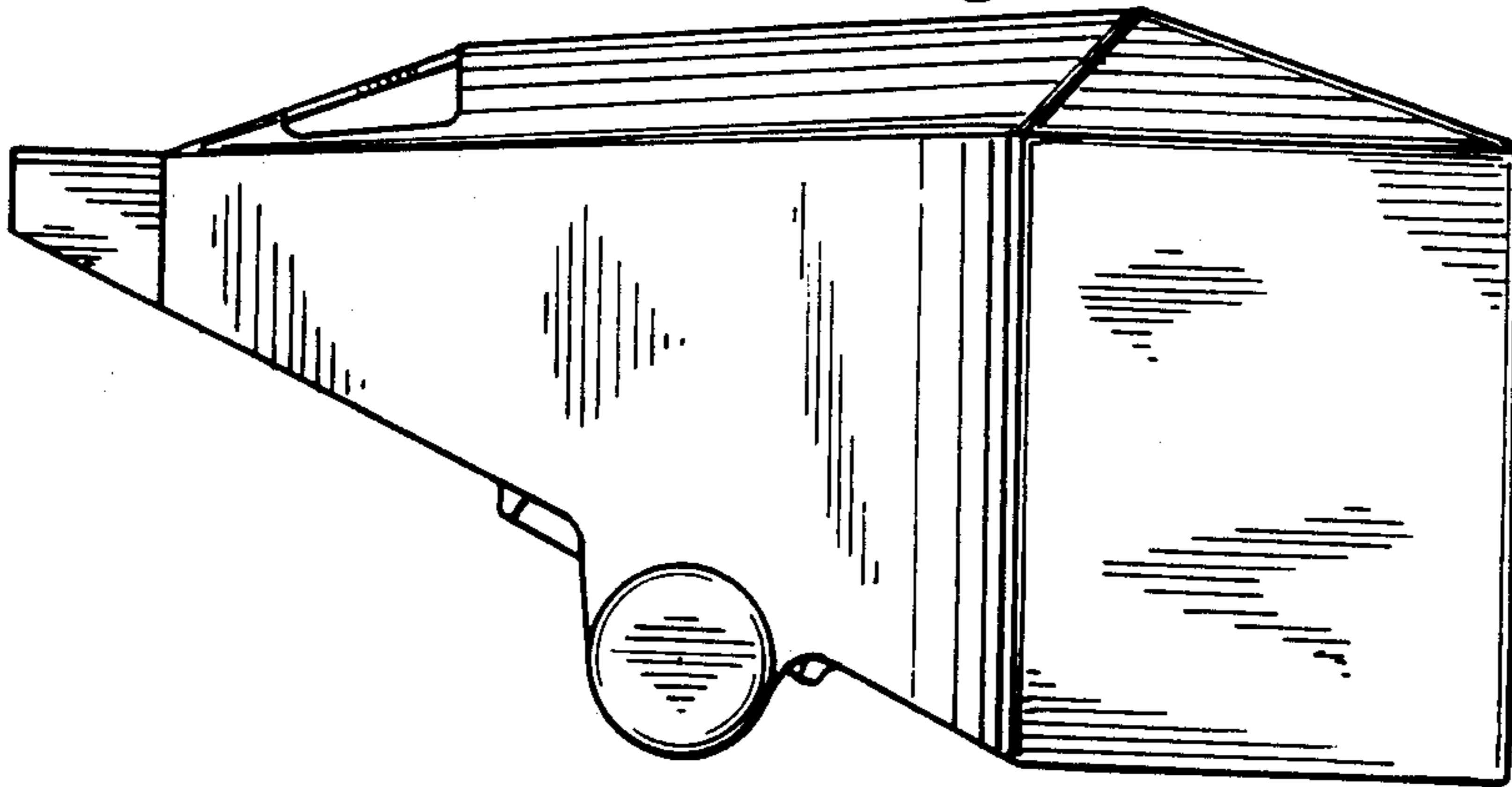


FIG. 6

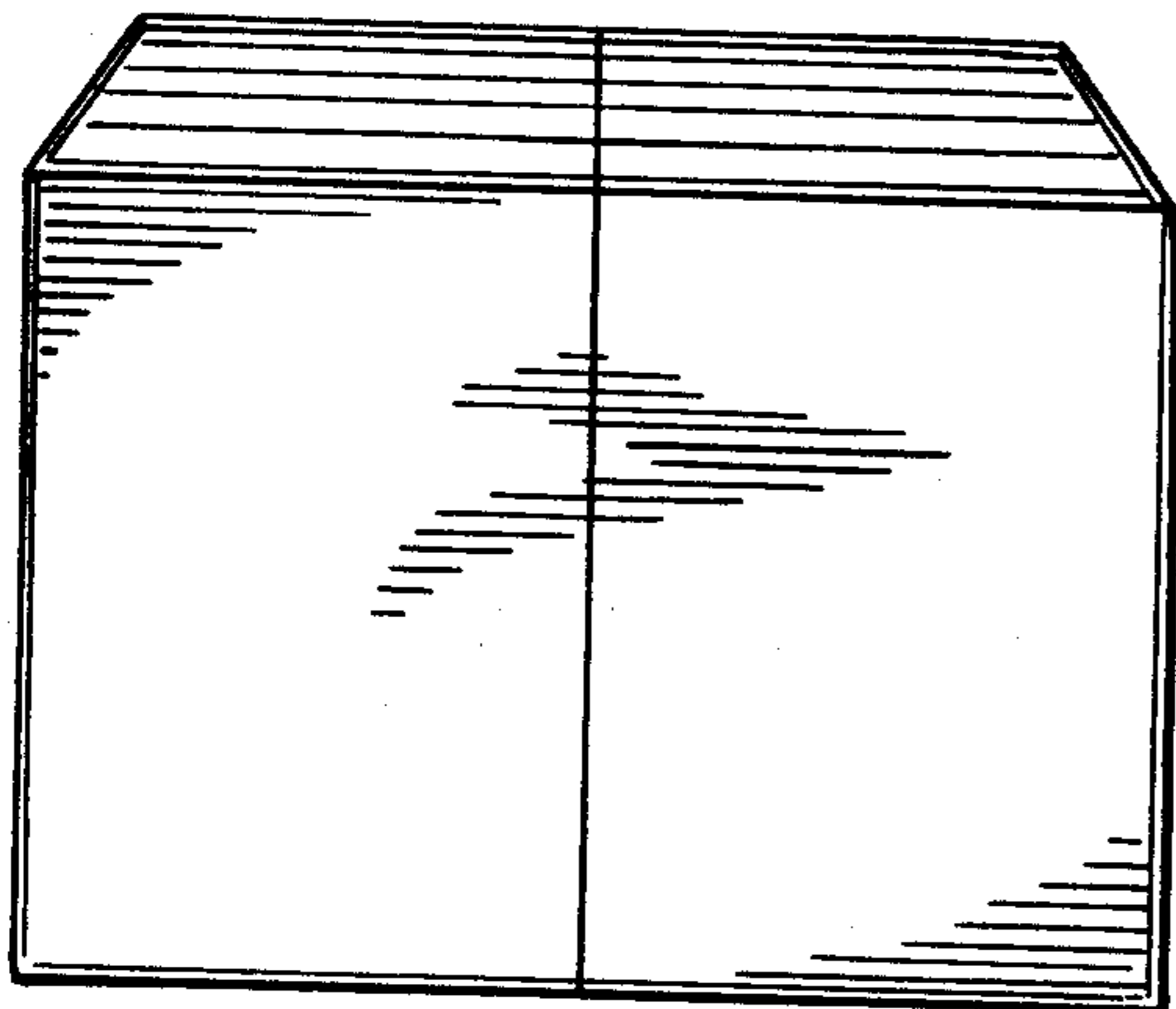


FIG. 7

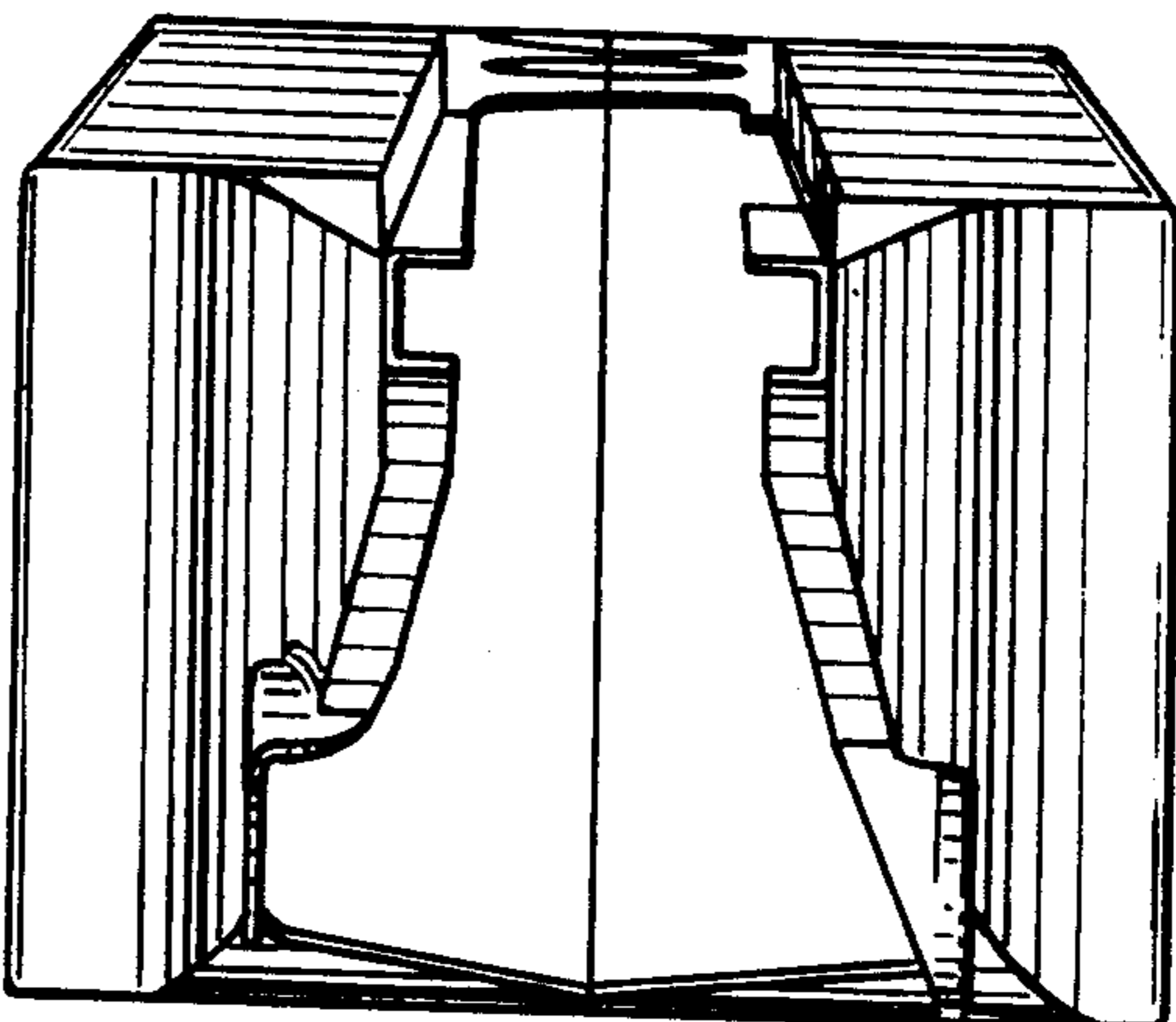


FIG. 8

