

[54] POLICE RADAR DETECTOR

[75] Inventors: James David Koncak, Dallas; Joseph T. Spaits, Plano, both of Tex.

[73] Assignee: Autotronics, Inc.

[**] Term: 14 Years

[21] Appl. No.: 709,454

[22] Filed: July 28, 1976

[51] Int. Cl. D10-05

[52] U.S. Cl. D10/116

[58] Field of Search D10/106, 121, 116; 343/18 E, 5 PD; D26/5 R

[56] References Cited

U.S. PATENT DOCUMENTS

3,094,663	6/1963	Siegel	343/18 E UX
3,512,155	7/1968	Bloice	343/5 PD UX

OTHER PUBLICATIONS

J. C. Whitney Automotive Parts & Accessories, Cata-

log No. 338, Rec'd May 12, 1975, p. 133, Radar detector.

Primary Examiner—Susan J. Lucas
Attorney, Agent, or Firm—Claude W. Lowe

[57] CLAIM

The ornamental design for a police radar detector, as shown.

DESCRIPTION

FIG. 1 is a front elevational view of a police radar detector showing our new design; FIG. 2 is a side elevational view of the detector shown in FIG. 1 and taken from the right to side thereof; FIG. 3 is a left side elevational view of the detector shown in FIG. 1; FIG. 4 is a top plan view of the detector shown in FIG. 1; FIG. 5 is a rear elevational view of the detector shown in FIG. 1; and FIG. 6 is a bottom plan view of the detector shown in FIG. 1.

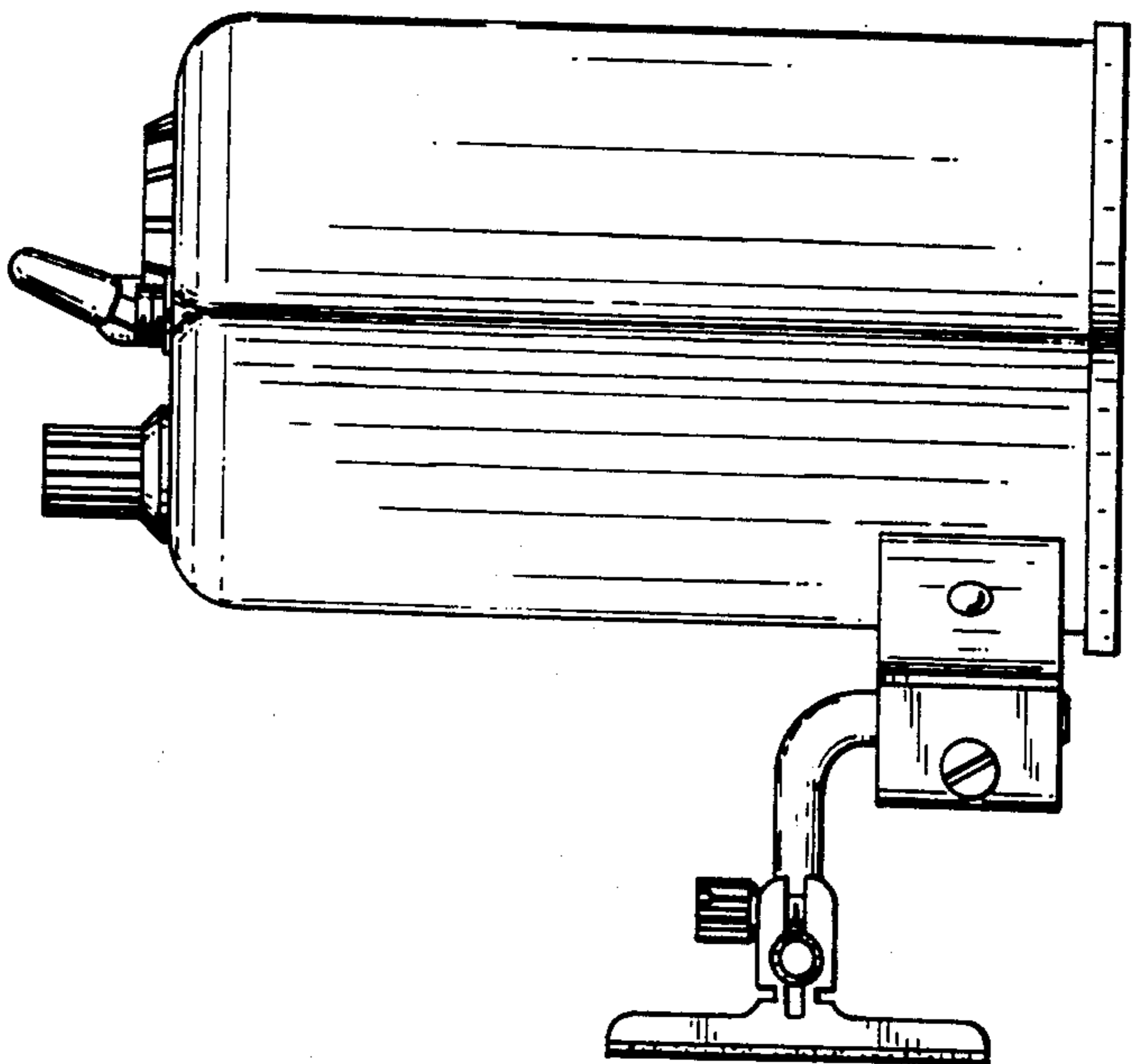
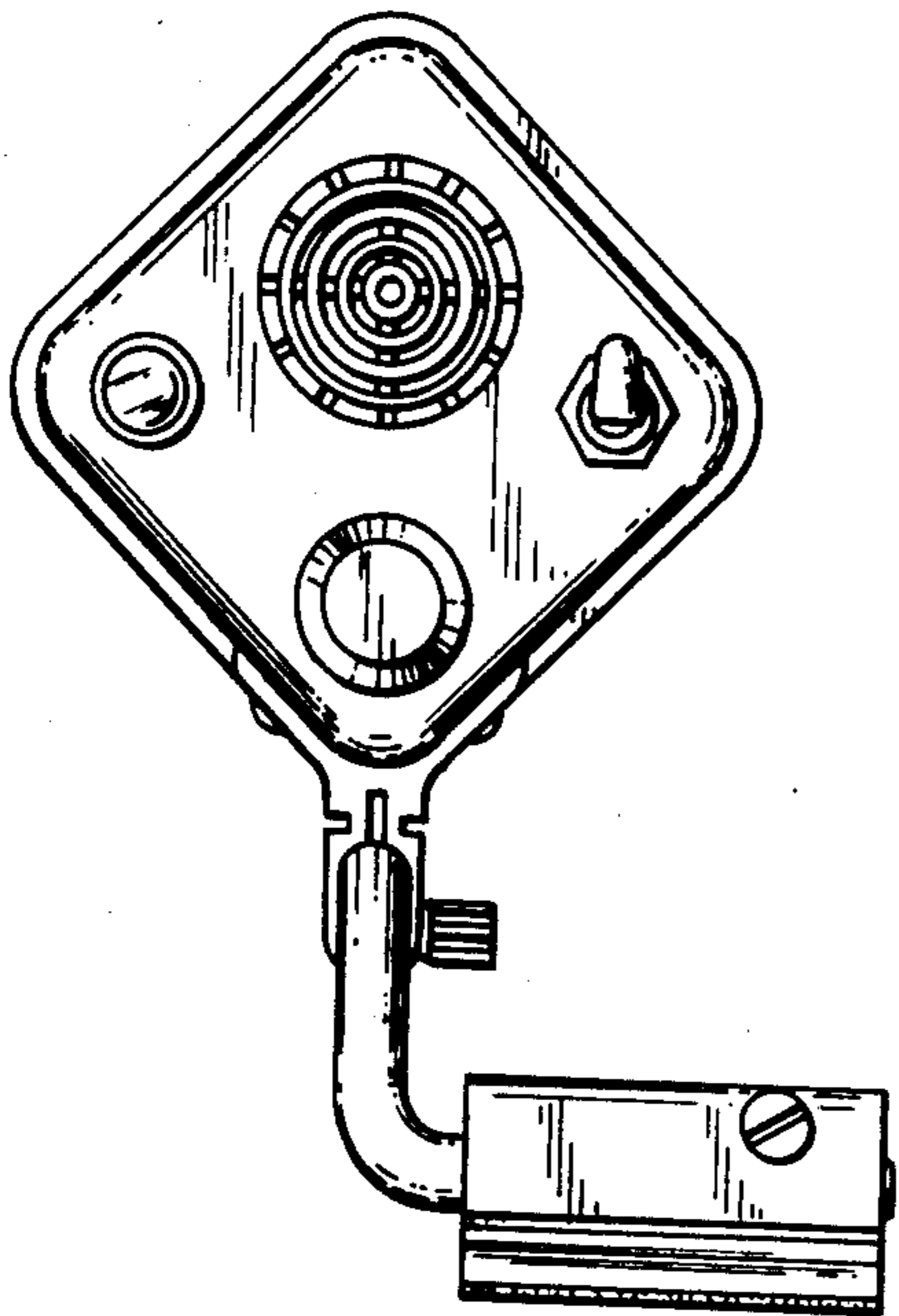


Fig. 1.

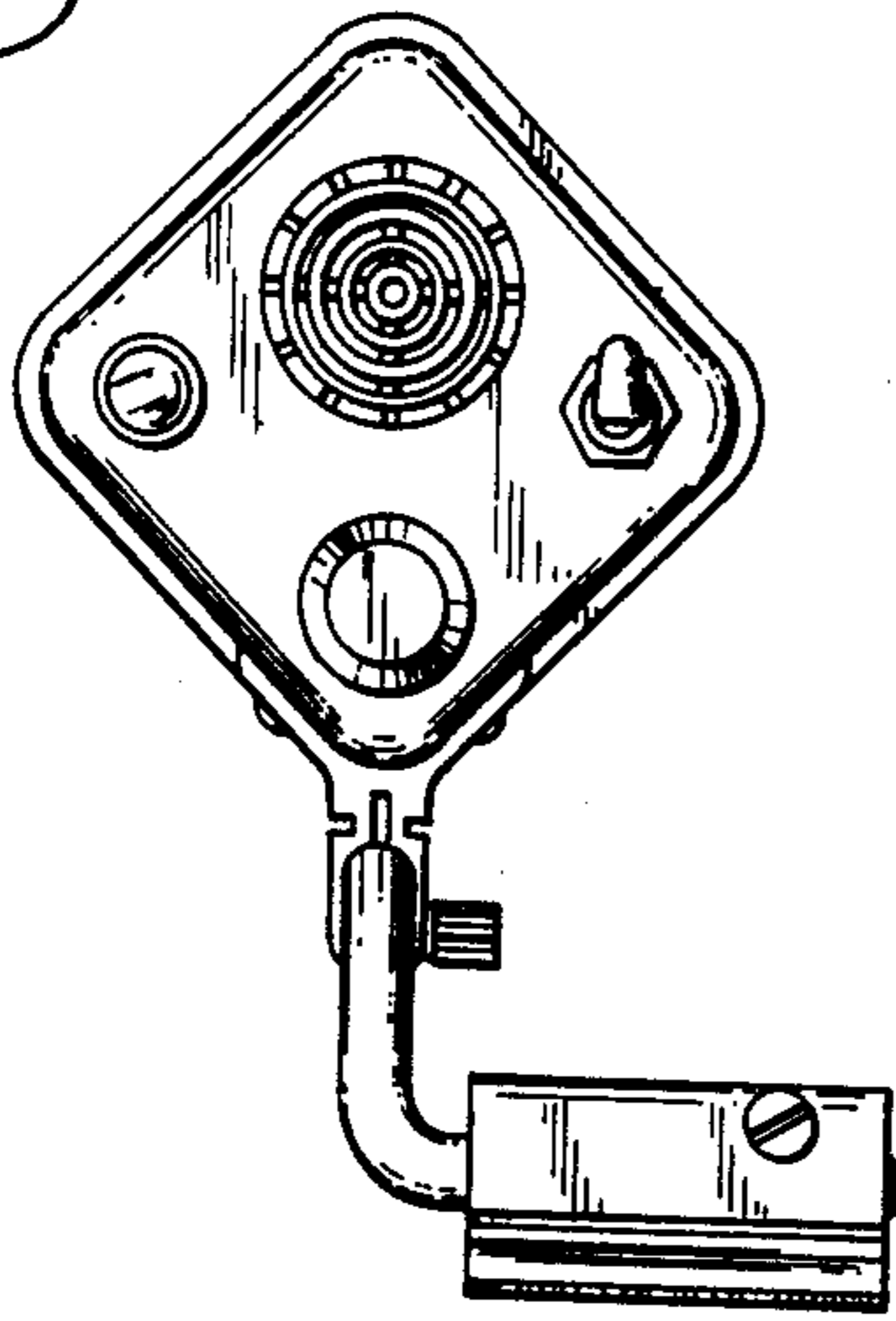


Fig. 2.

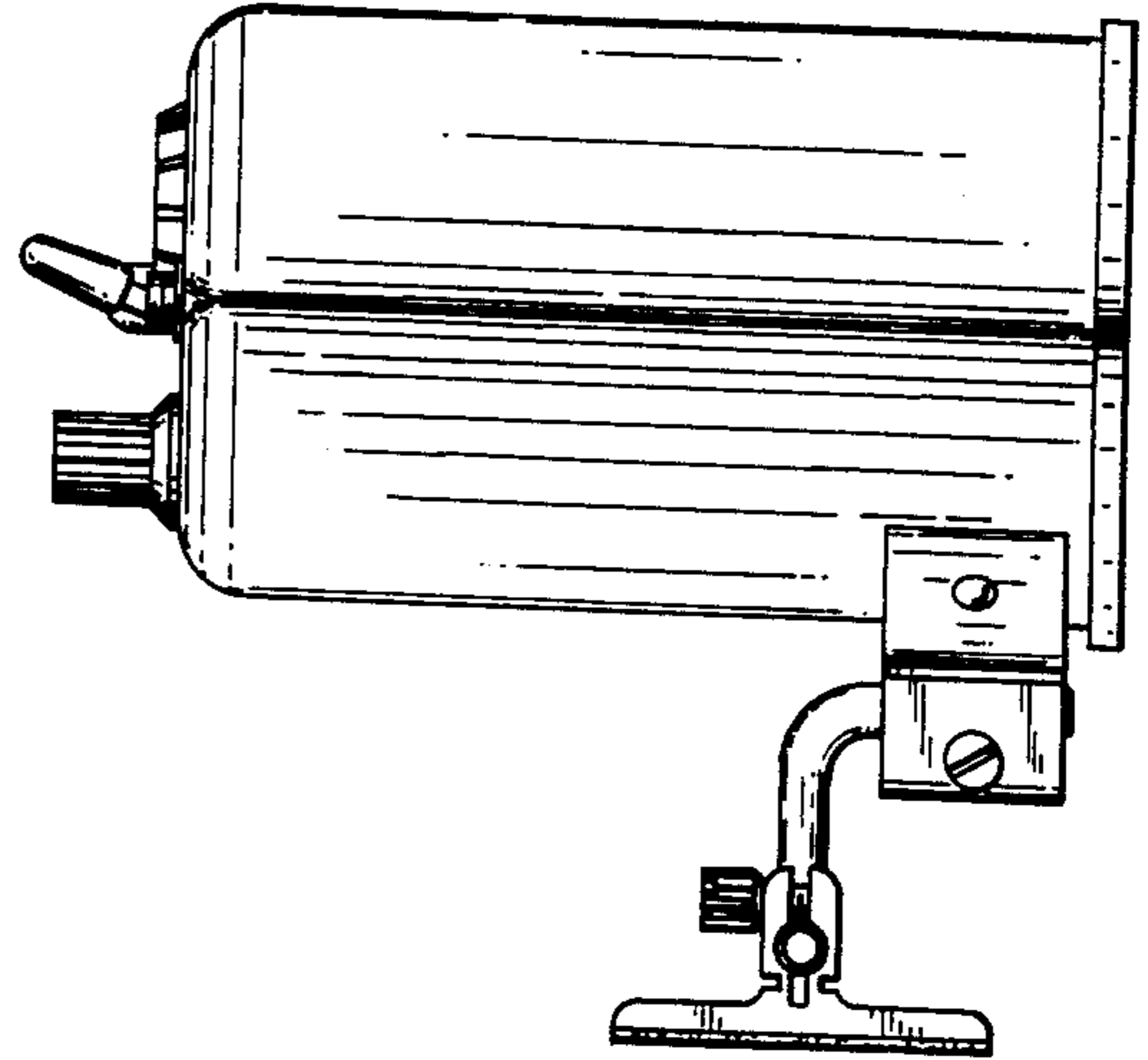


Fig. 3.

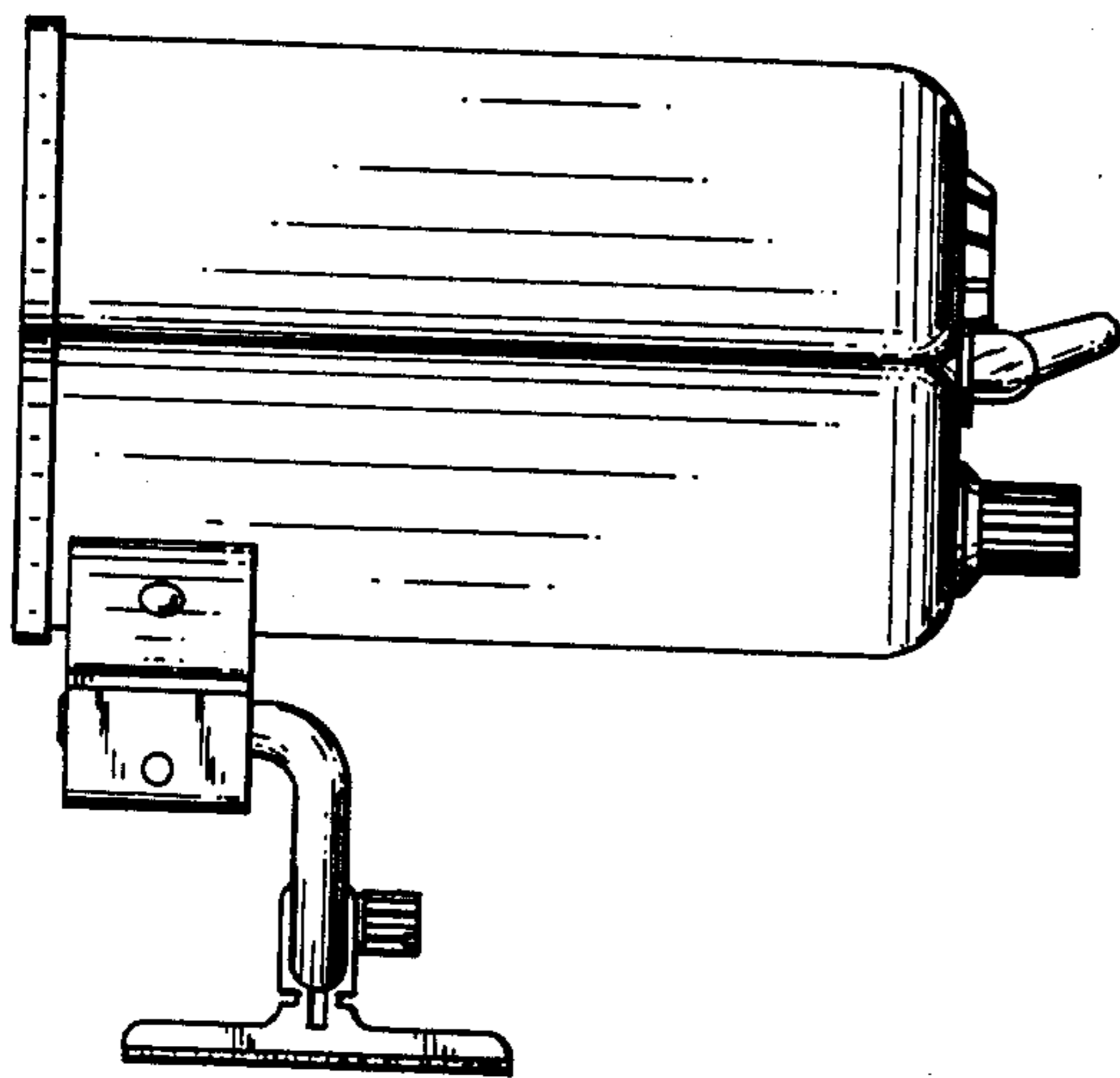


Fig. 4.

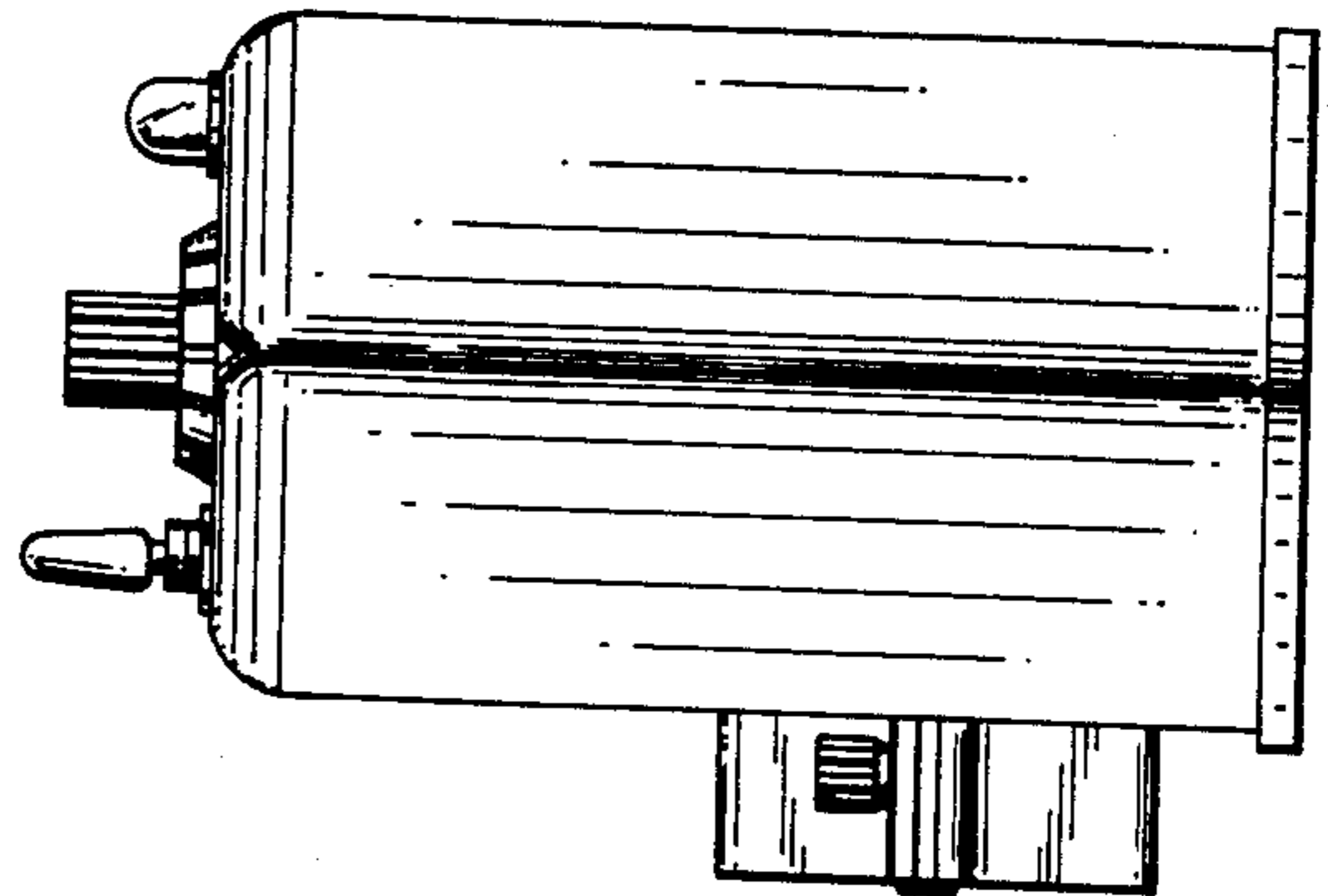


Fig. 5.

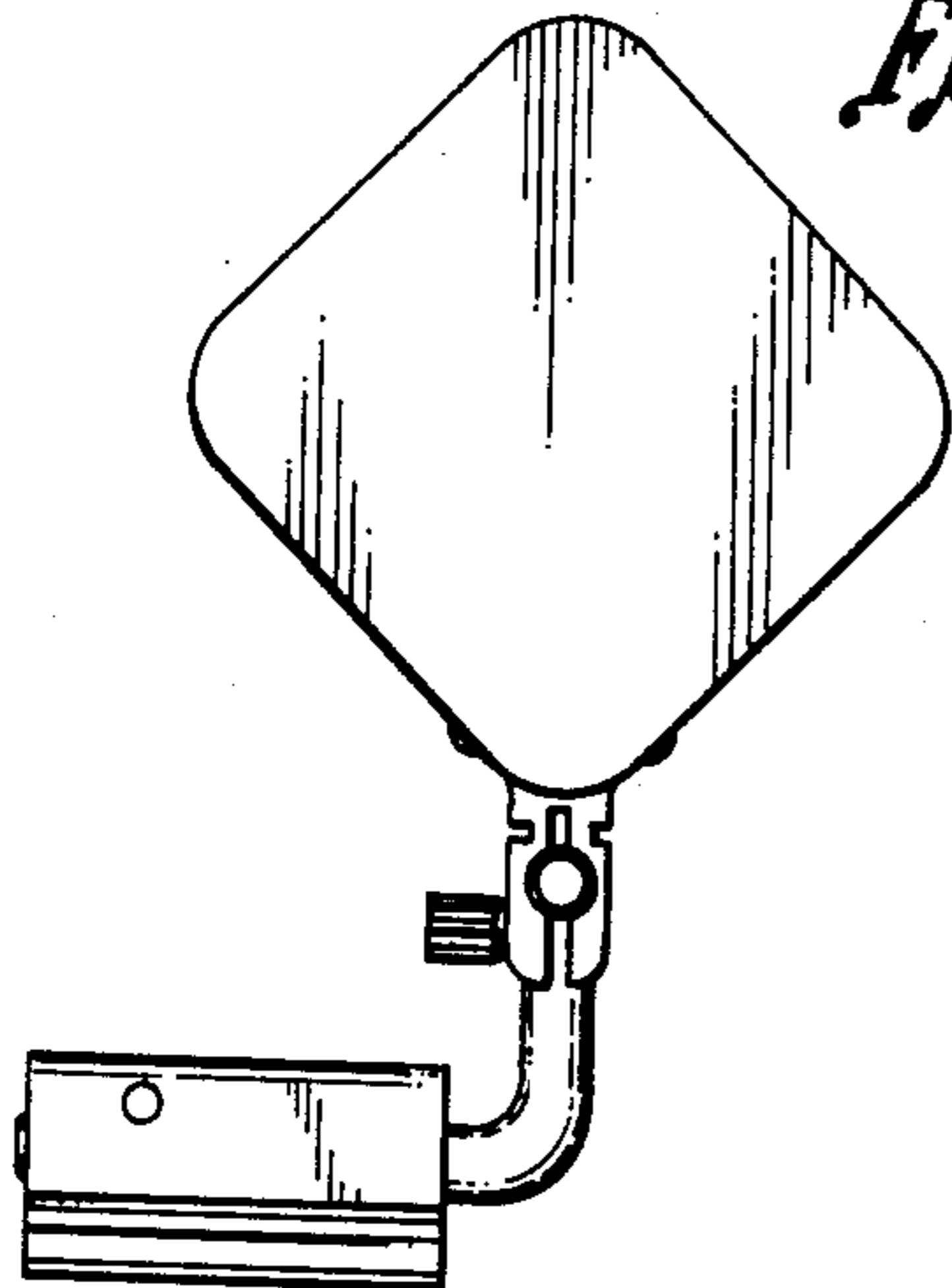


Fig. 6.

