

[54] SPEEDOMETER

[75] Inventor: Howard J. Rasmussen, Fox River Grove, Ill.

[73] Assignee: Stewart-Warner Corporation, Chicago, Ill.

[**] Term: 14 Years

[21] Appl. No.: 647,115

[22] Filed: Jan. 7, 1976

[51] Int. Cl. D10-04

[52] U.S. Cl. D10/98

[58] Field of Search D10/98, 97, 123, 124, D10/125, 127; 116/116

[56] References Cited

U.S. PATENT DOCUMENTS

3,980,041 9/1976 Evans 116/116

OTHER PUBLICATIONS

American Bicyclist & Motorcyclist, 1/74, p. 58, Speedometer, upper-left.

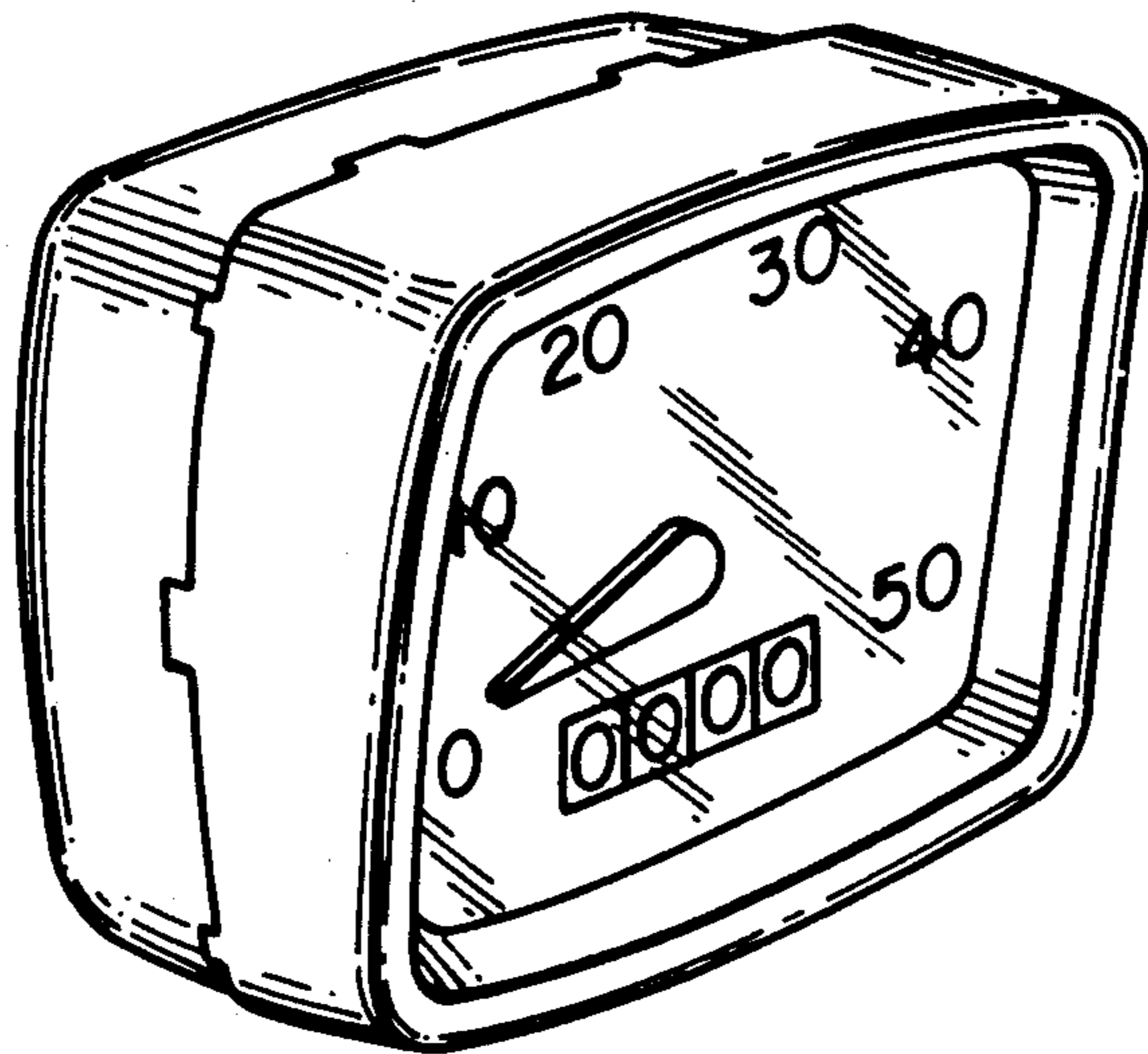
Primary Examiner—Nelson C. Holtje
Attorney, Agent, or Firm—Augustus G. Douvas

[57] CLAIM

The ornamental design for a speedometer, as shown and described.

DESCRIPTION

FIG. 1 is a left front perspective view of a speedometer showing my new design;
FIG. 2 is a front elevational view thereof;
FIG. 3 is a right side elevational view thereof;
FIG. 4 is a rear elevational view thereof;
FIG. 5 is a top plan view thereof;
FIG. 6 is a bottom plan view thereof;
FIG. 7 is a front elevational view of another embodiment of my new design of FIG. 1 wherein an odometer reset knob has been added thereto;
FIG. 8 is a left side elevational view thereof;
FIG. 9 is a right side elevational view thereof;
FIG. 10 is a rear elevational view thereof;
FIG. 11 is a top plan view thereof;
FIG. 12 is a bottom plan view thereof;



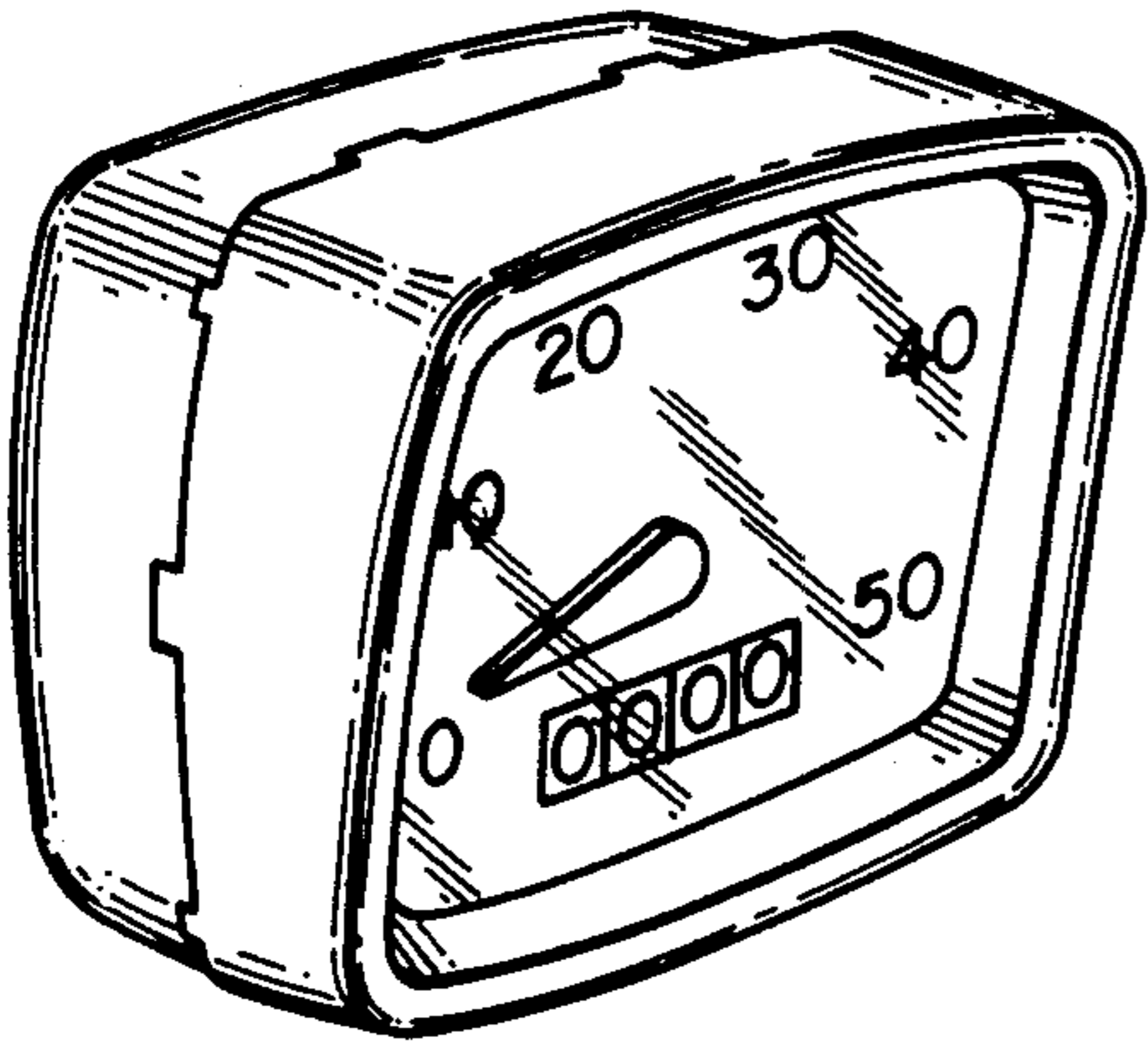


FIG. 1

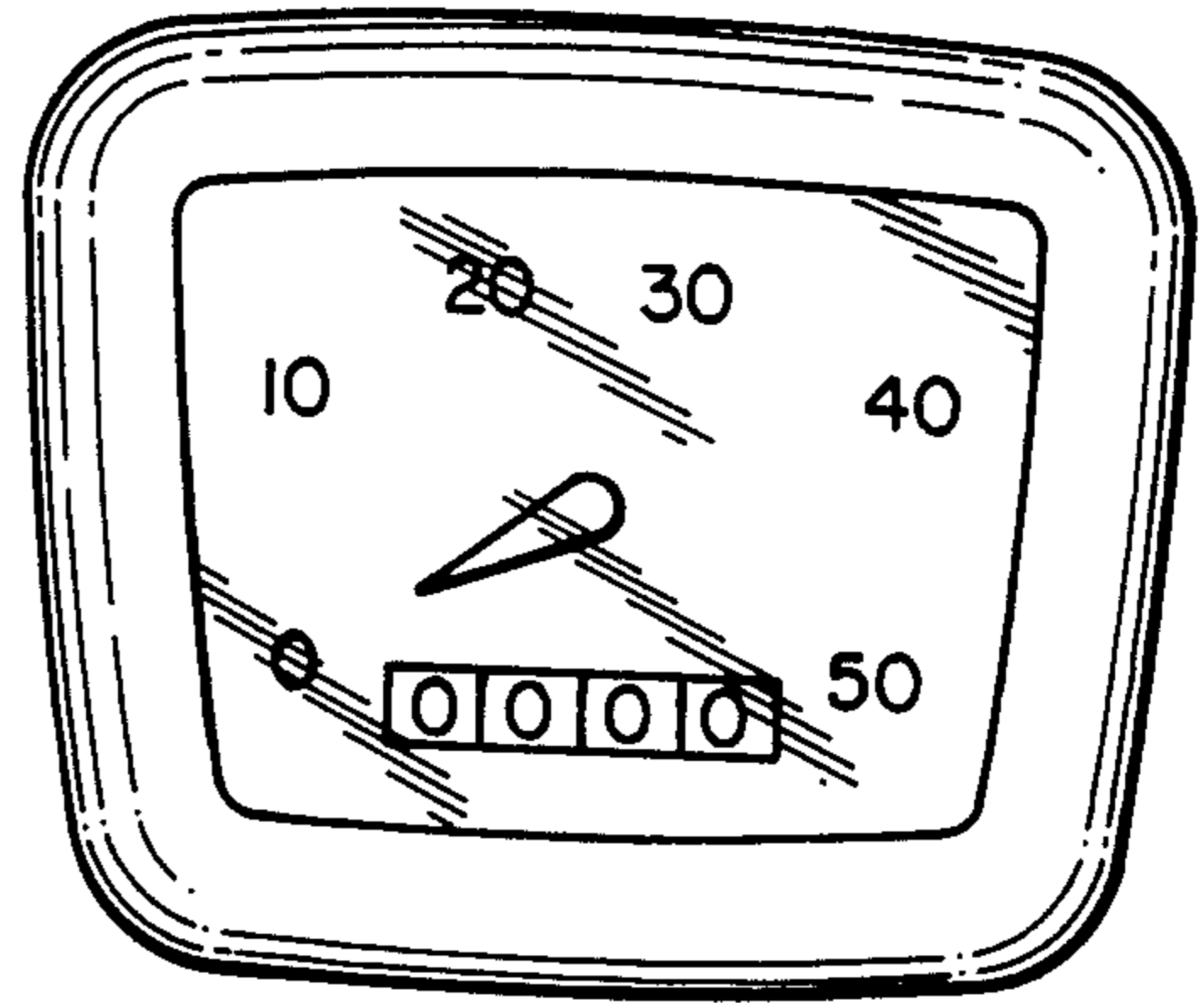


FIG. 2

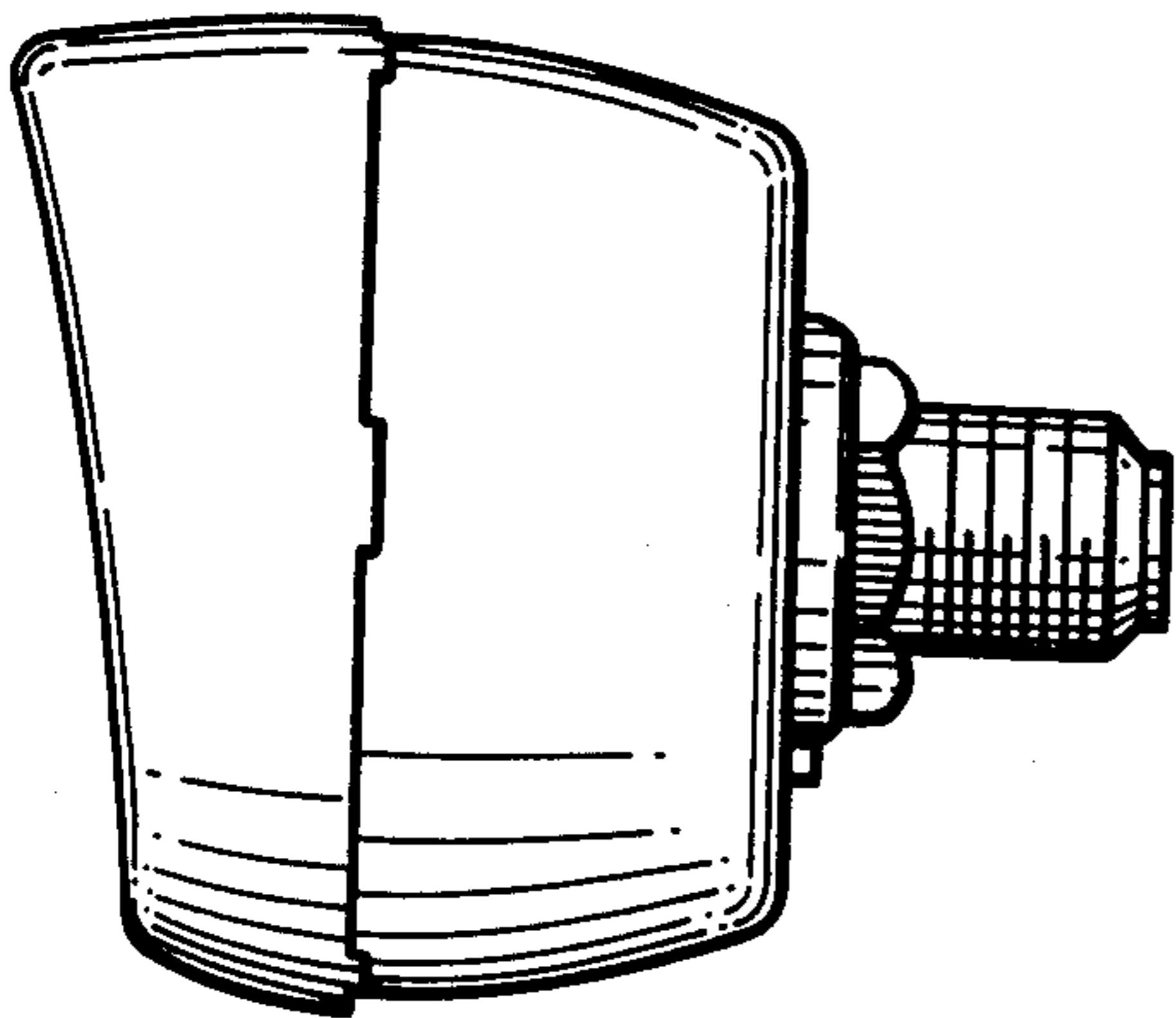


FIG. 3

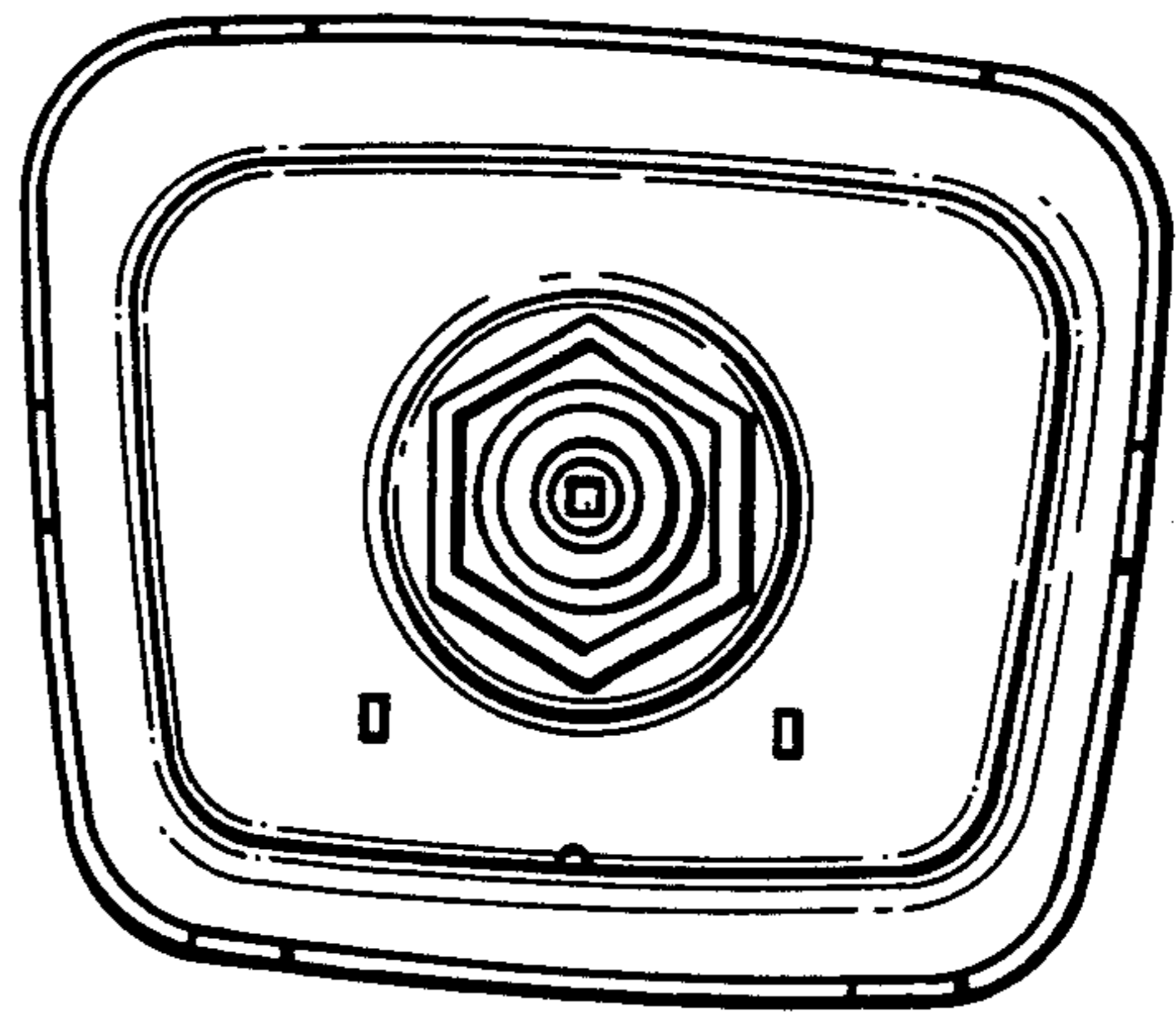


FIG. 4

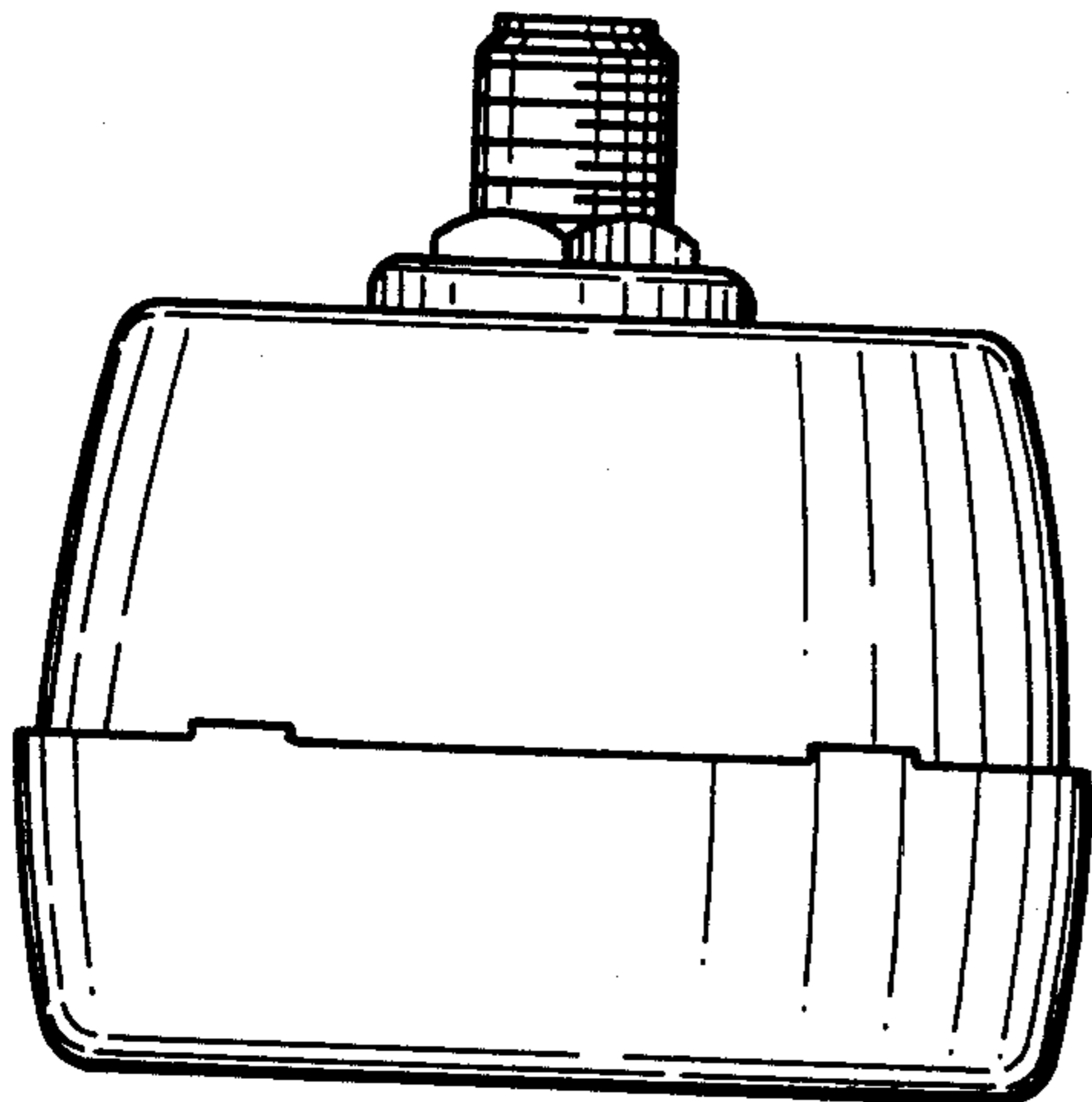


FIG. 5

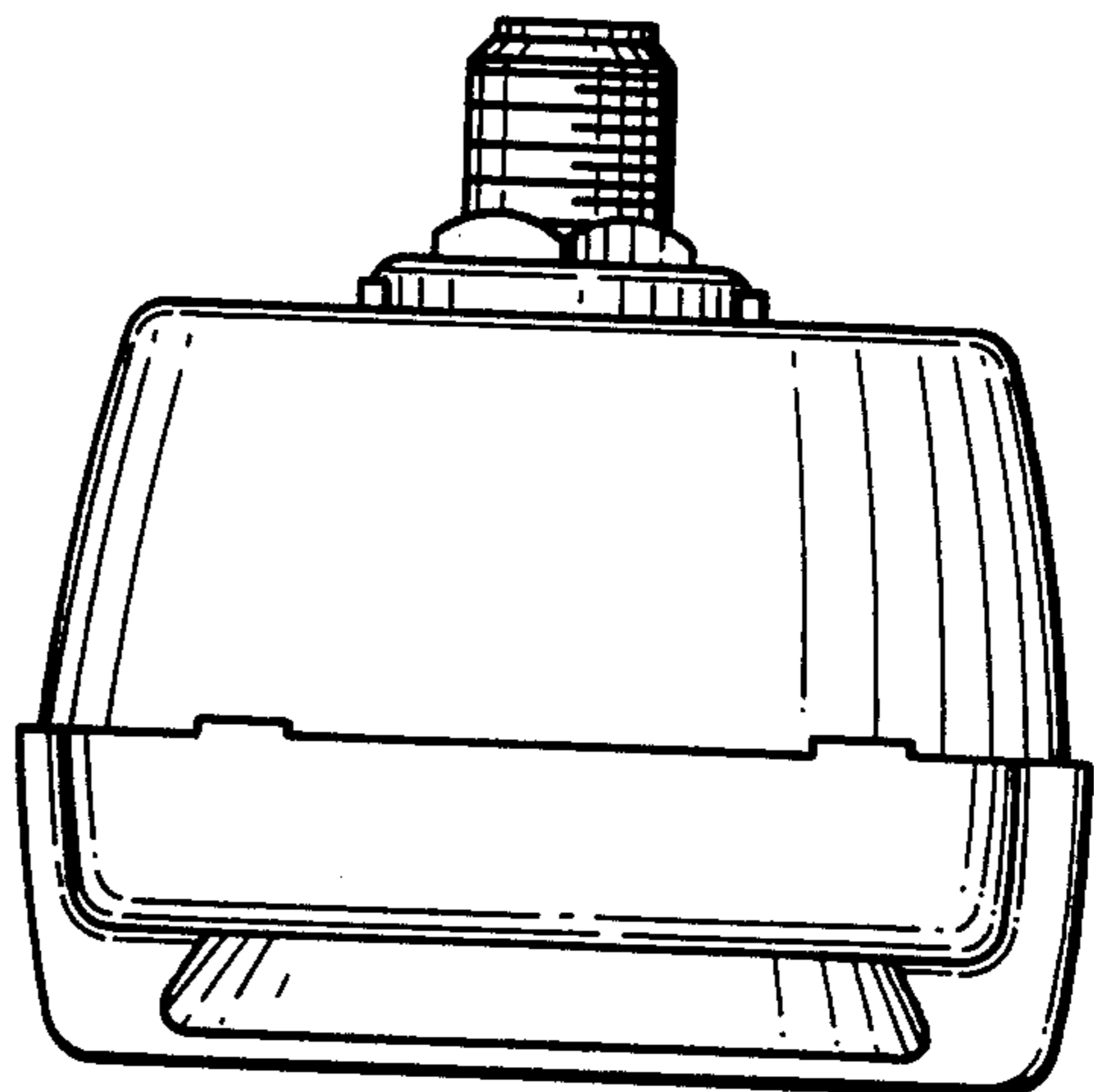


FIG. 6

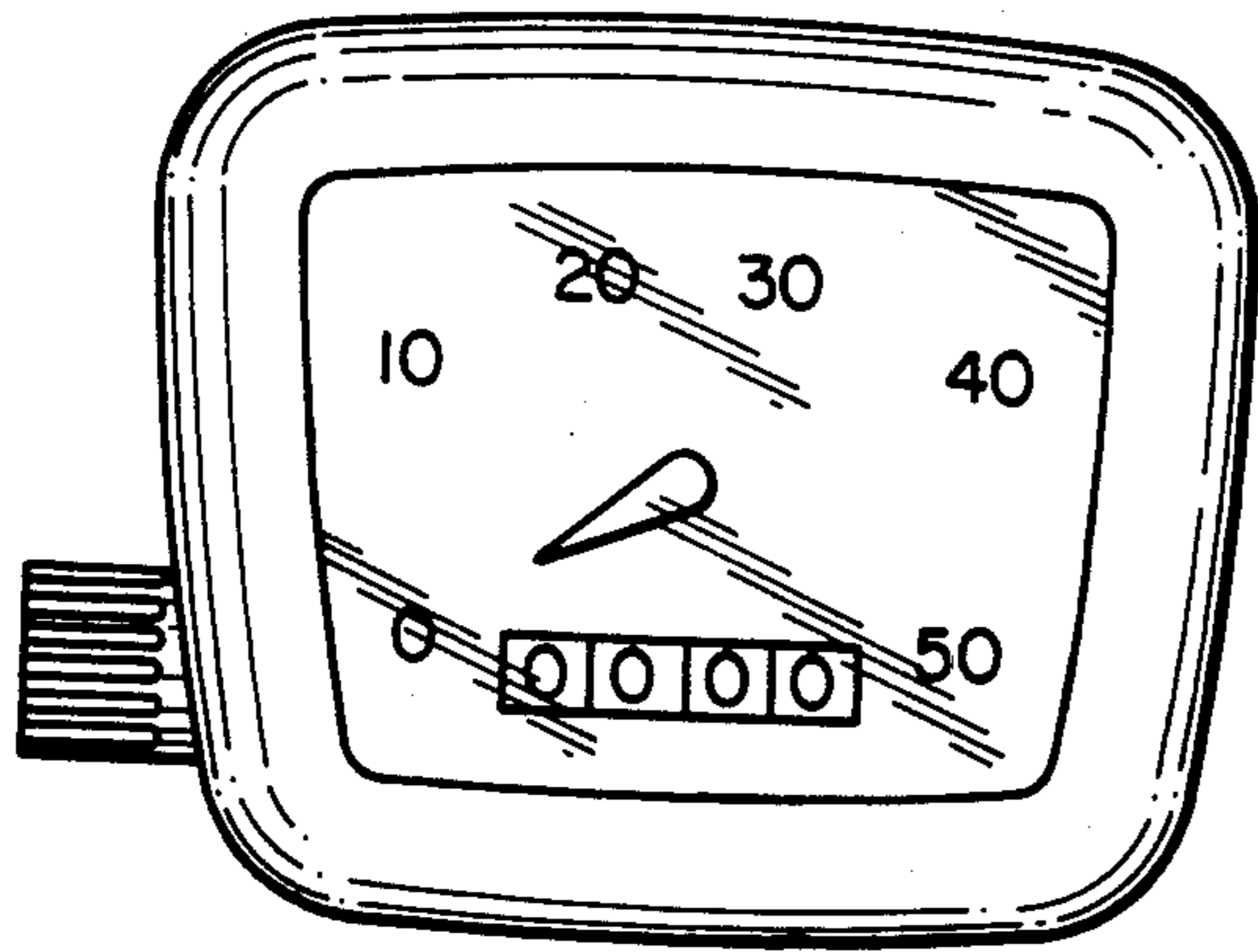


FIG. 7

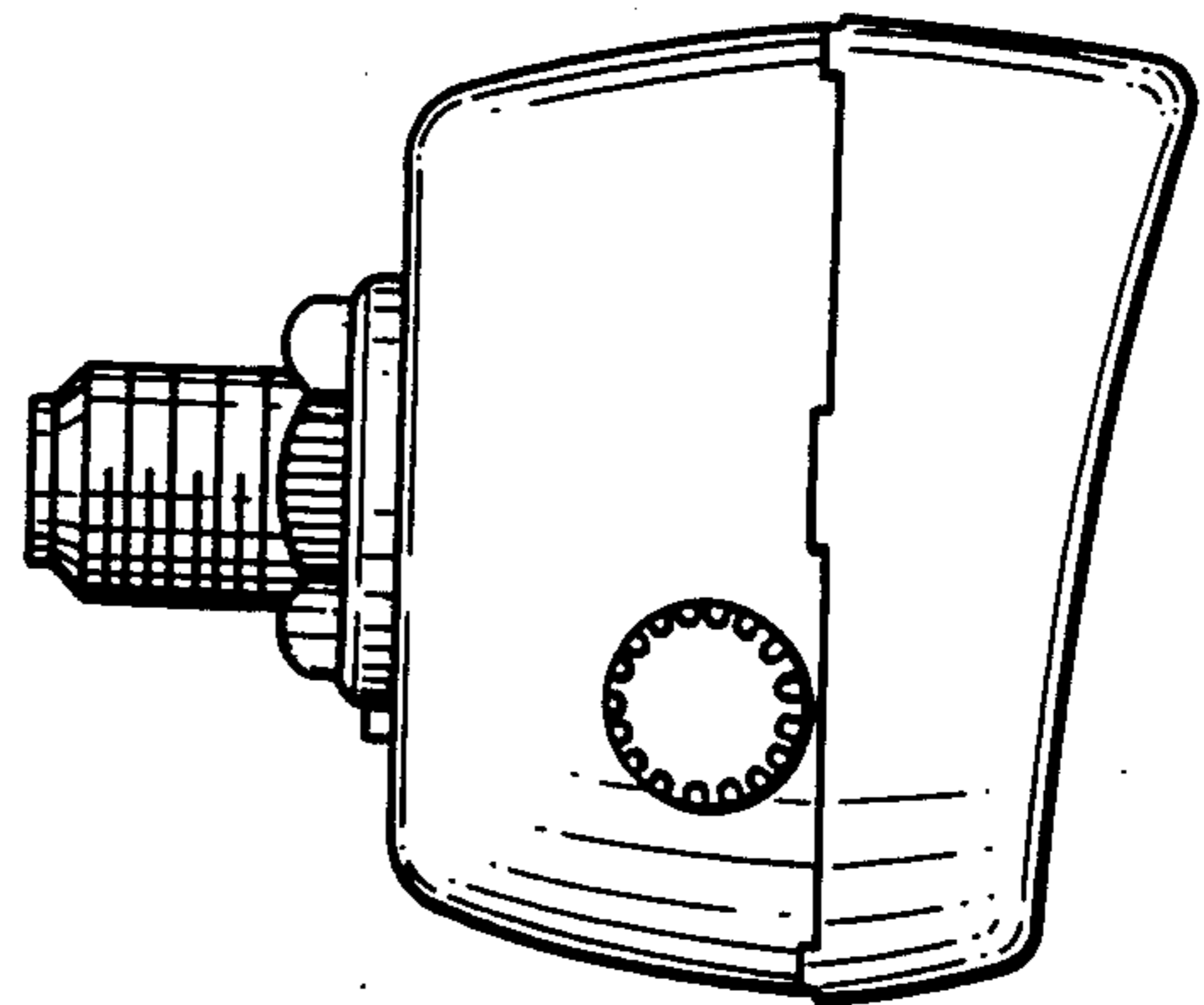


FIG. 8

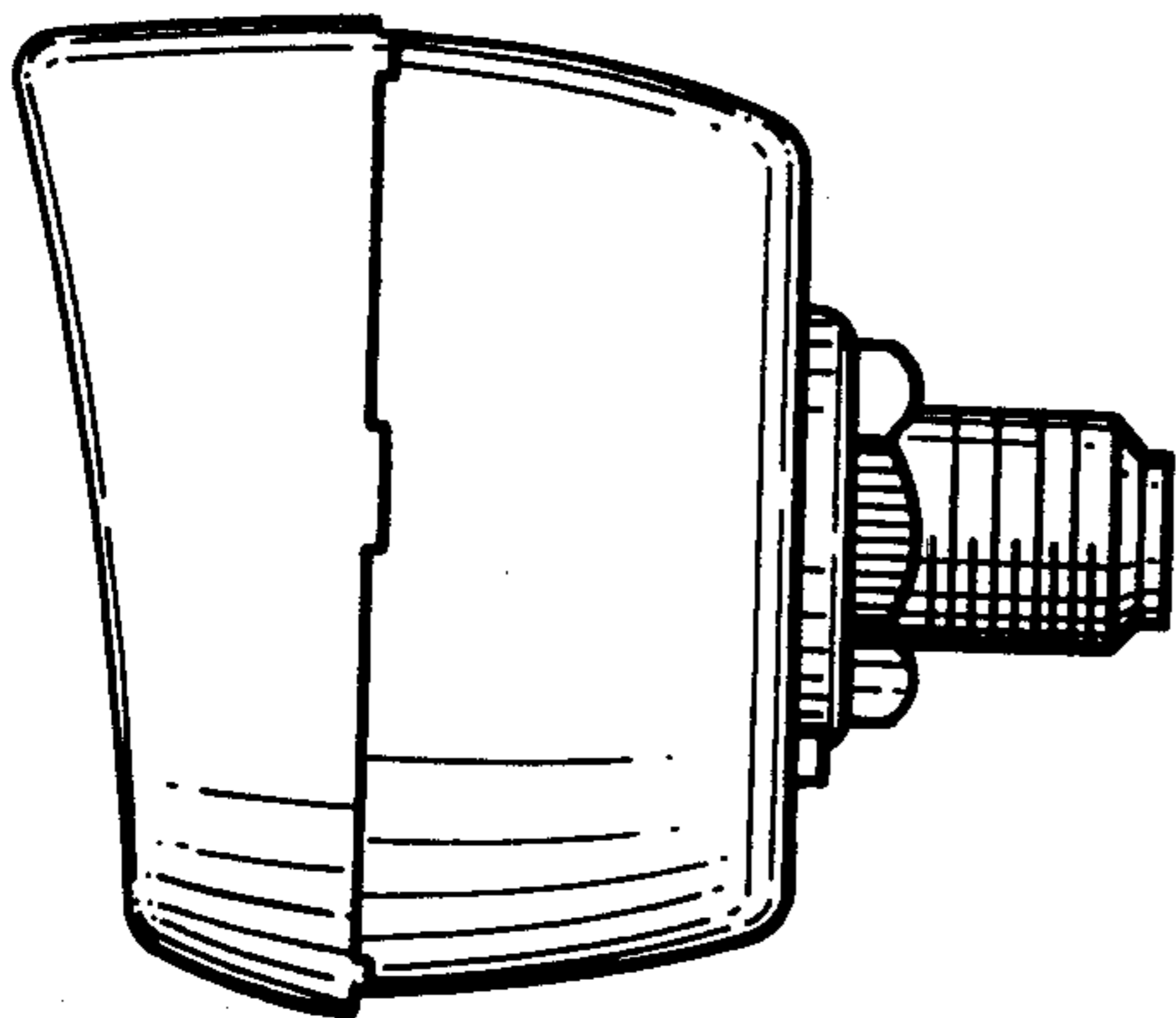


FIG. 9

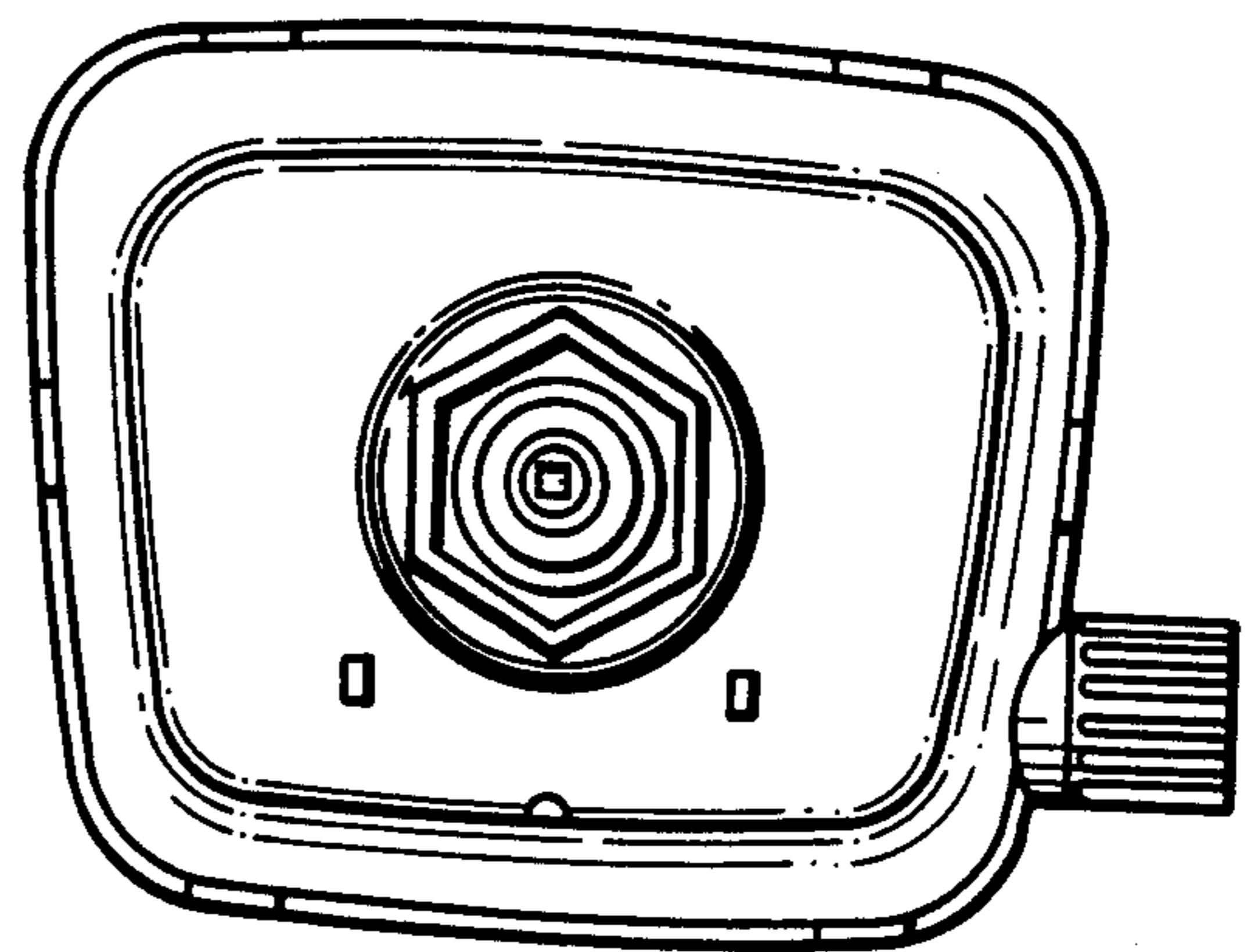


FIG. 10

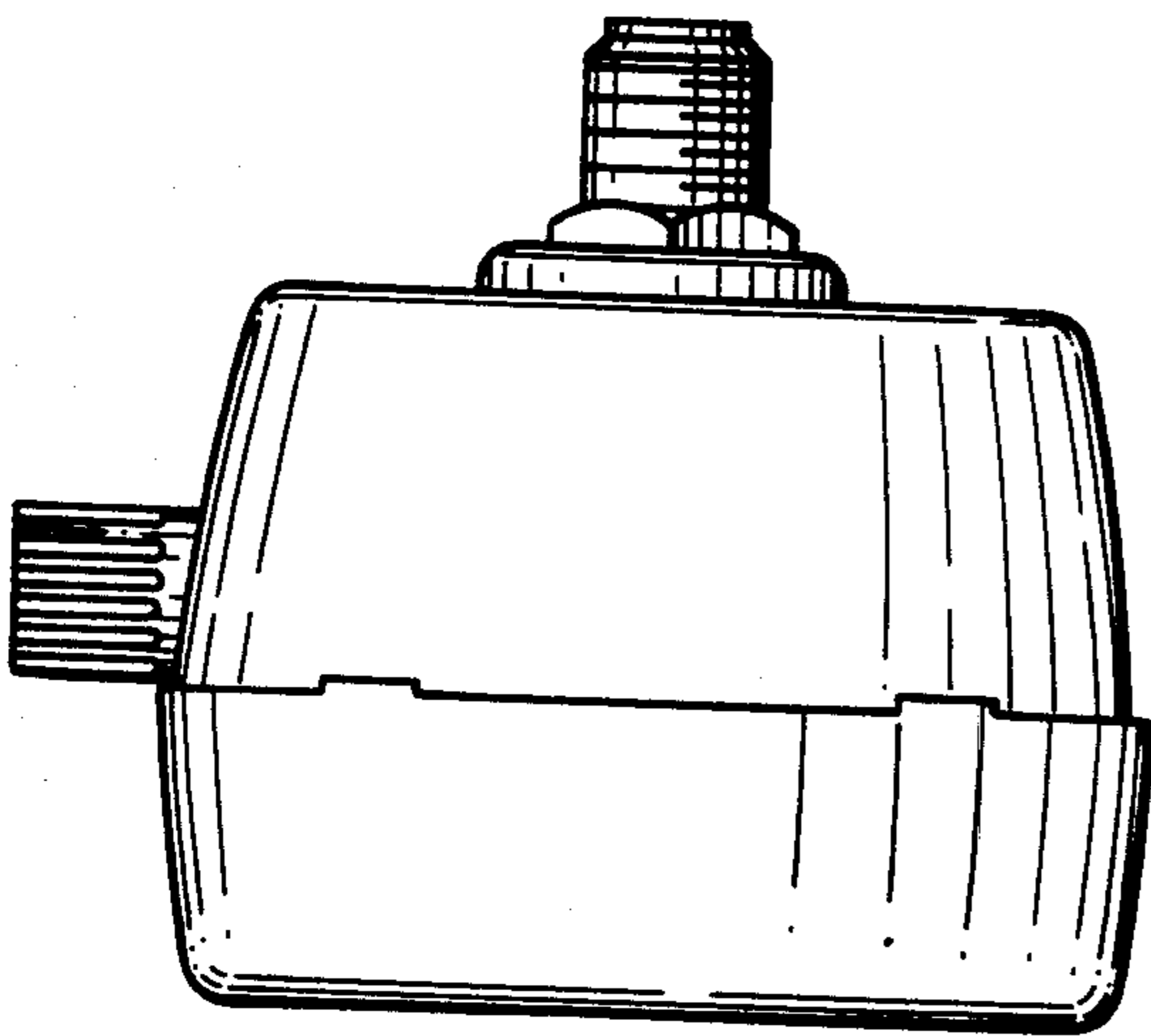


FIG. 11

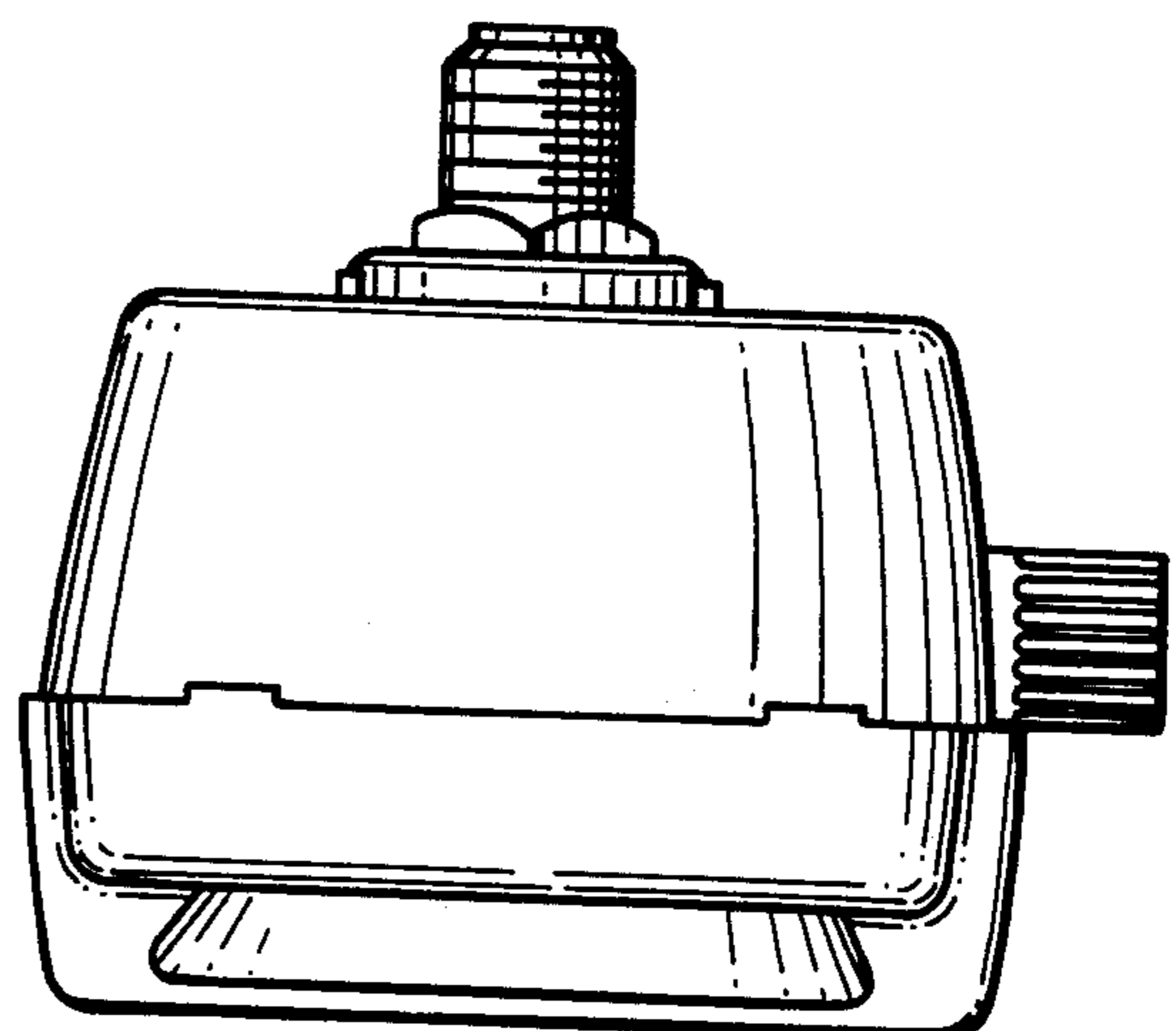


FIG. 12