

[54] FOOD CARTON OPENER

[76] Inventors: Dean J. Madsen, 21 Middleridge Lane North, Rolling Hills, Calif. 90274; Robert G. Madsen, 6801 Lawn Haven Drive, Huntington Beach, Calif. 92648; Gordon W. Nichols, 13241 Rutgers Ave., Downey, Calif. 90241

[**] Term: 14 Years

[21] Appl. No.: 630,978

[22] Filed: Nov. 12, 1975

[51] Int. Cl. D7-99

[52] U.S. Cl. D8/18

[58] Field of Search D8/16-18, D8/33-43; 81/3.46 R, 3.46 A, 3.36, 3.37, 3.48, 3.49; 30/16, 6.1, 6.3

[56] References Cited

U.S. PATENT DOCUMENTS

2,434,212	1/1948	Ippolito	30/16 X
2,632,241	3/1953	Haislip	D8/41 X
D. 155,908	11/1949	La Forte	D8/41
D. 240,497	7/1976	Riba	D8/40

FOREIGN PATENT DOCUMENTS

2,010,381	9/1971	Germany	81/3.46 R
-----------	--------	---------------	-----------

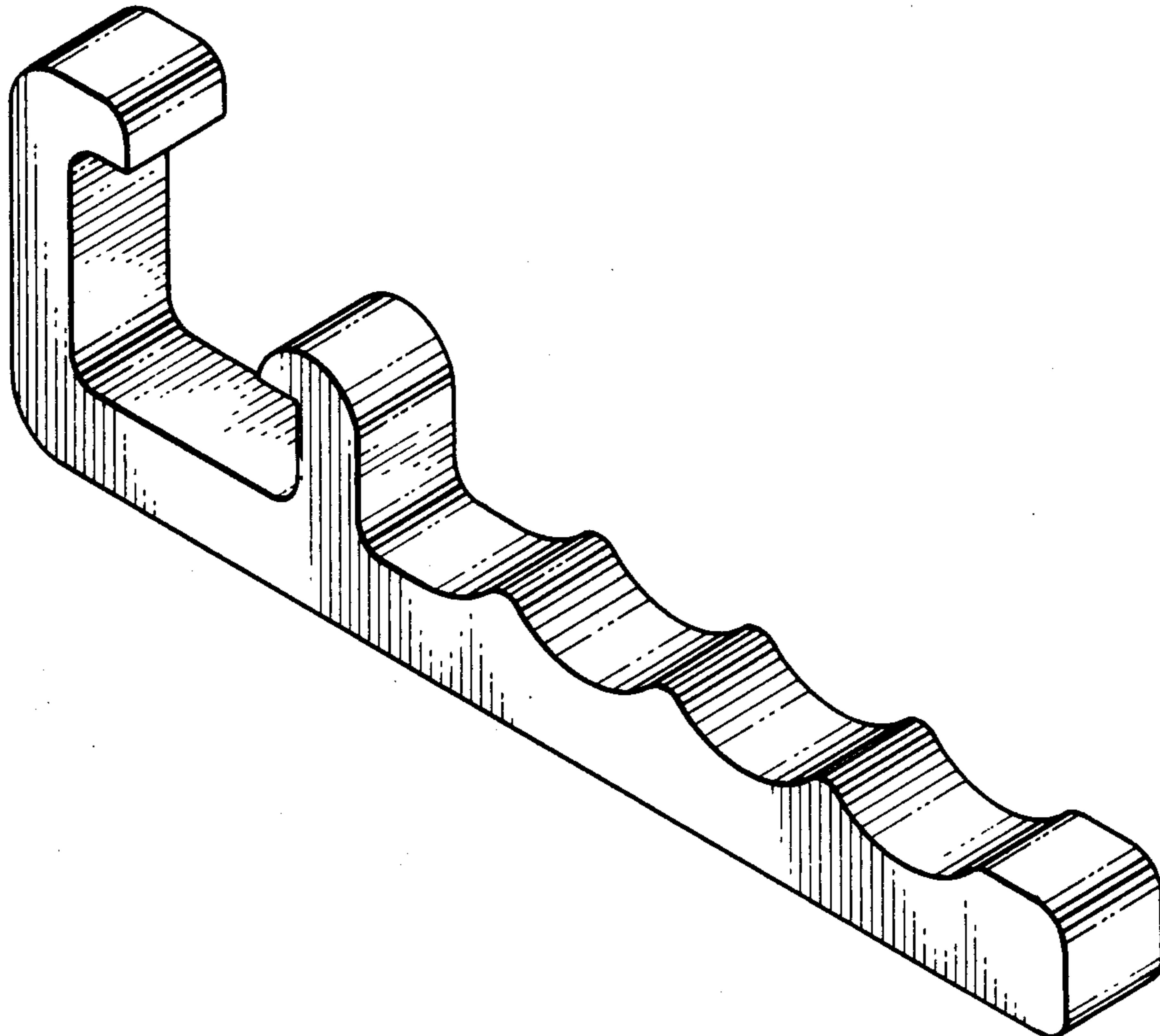
Primary Examiner—Winifred E. Herrmann
Attorney, Agent, or Firm—Richard F. Carr

[57] CLAIM

The ornamental design for a food carton opener, as shown.

DESCRIPTION

FIG. 1 is a perspective view of a food carton opener embodying our new design;
FIG. 2 is a side elevational view of the food carton opener;
FIG. 3 is an end elevational view thereof; and
FIG. 4 is a bottom plan view thereof.



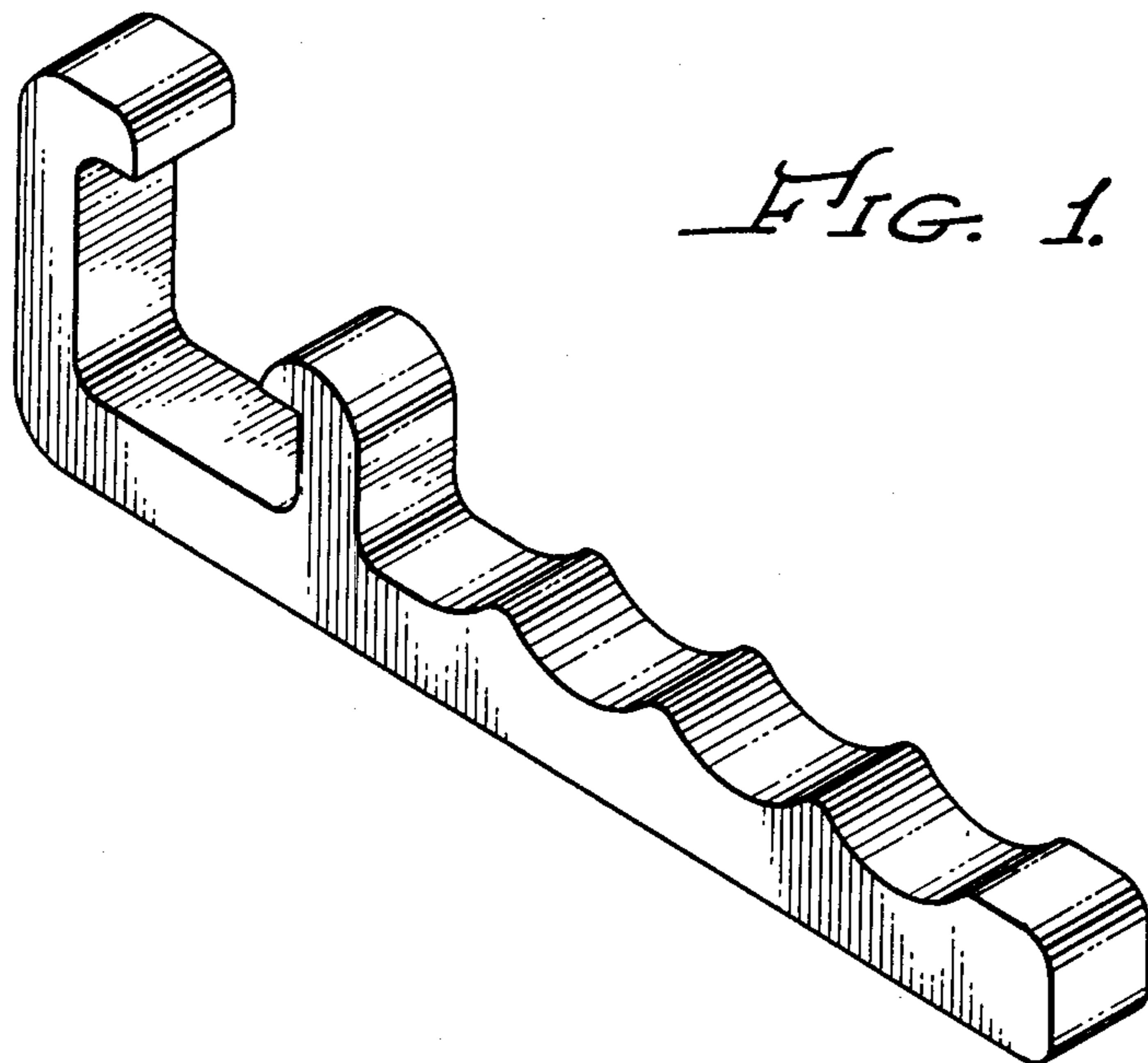


FIG. 1.

FIG. 2.

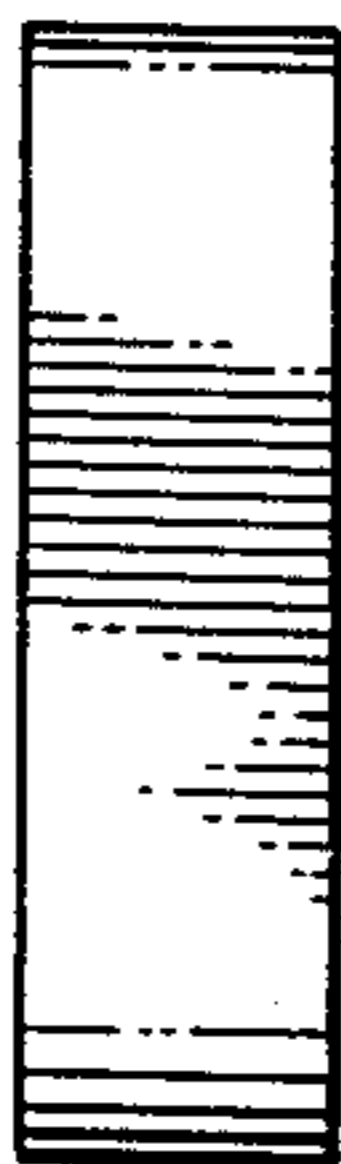
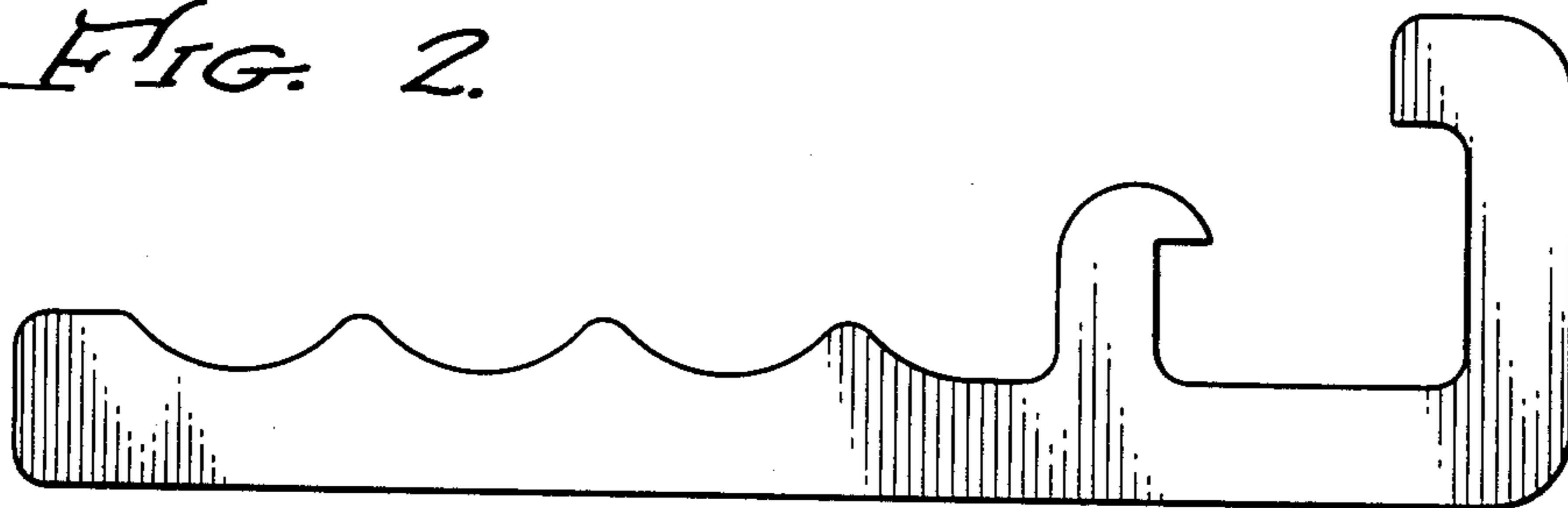


FIG. 3.

FIG. 4.

