

[54] CARPET REPAIR TOOL

[75] Inventors: Hollis H. Bascom; John J. Greci, both of Livermore; Merle R. Hoopengardner, Lafayette, all of Calif.

[73] Assignee: Orcon Corporation, Union City, Calif.

[**] Term: 14 Years

[21] Appl. No.: 694,214

[22] Filed: June 9, 1976

[51] Int. Cl. D8-03

[52] U.S. Cl. D8/15

[58] Field of Search D8/98, 15; 30/310

[56] References Cited

U.S. PATENT DOCUMENTS

3,456,346 7/1969 Snyder 30/310
3,786,564 1/1974 Acheson 30/310 X

D. 209,420 11/1967 Snyder D8/98
D. 235,005 4/1975 Sutton D8/15 X

Primary Examiner—Alan P. Douglas
Attorney, Agent, or Firm—Donald C. Feix

[57] CLAIM

The ornamental design for a carpet repair tool, substantially as shown and described.

DESCRIPTION

FIG. 1 is an isometric view of a carpet repair tool embodying our new design;
FIG. 2 is a top plan view of the carpet repair tool shown in FIG. 1;
FIG. 3 is a right end elevation view of the carpet repair tool shown in FIG. 1 (the left end elevation view is a mirror image of this right end elevation view);
FIG. 4 is a front elevation view of the carpet repair tool shown in FIG. 1 (the back elevation view is a mirror image of this front elevation view); and
FIG. 5 is a bottom plan view of the carpet repair tool shown in FIG. 1.

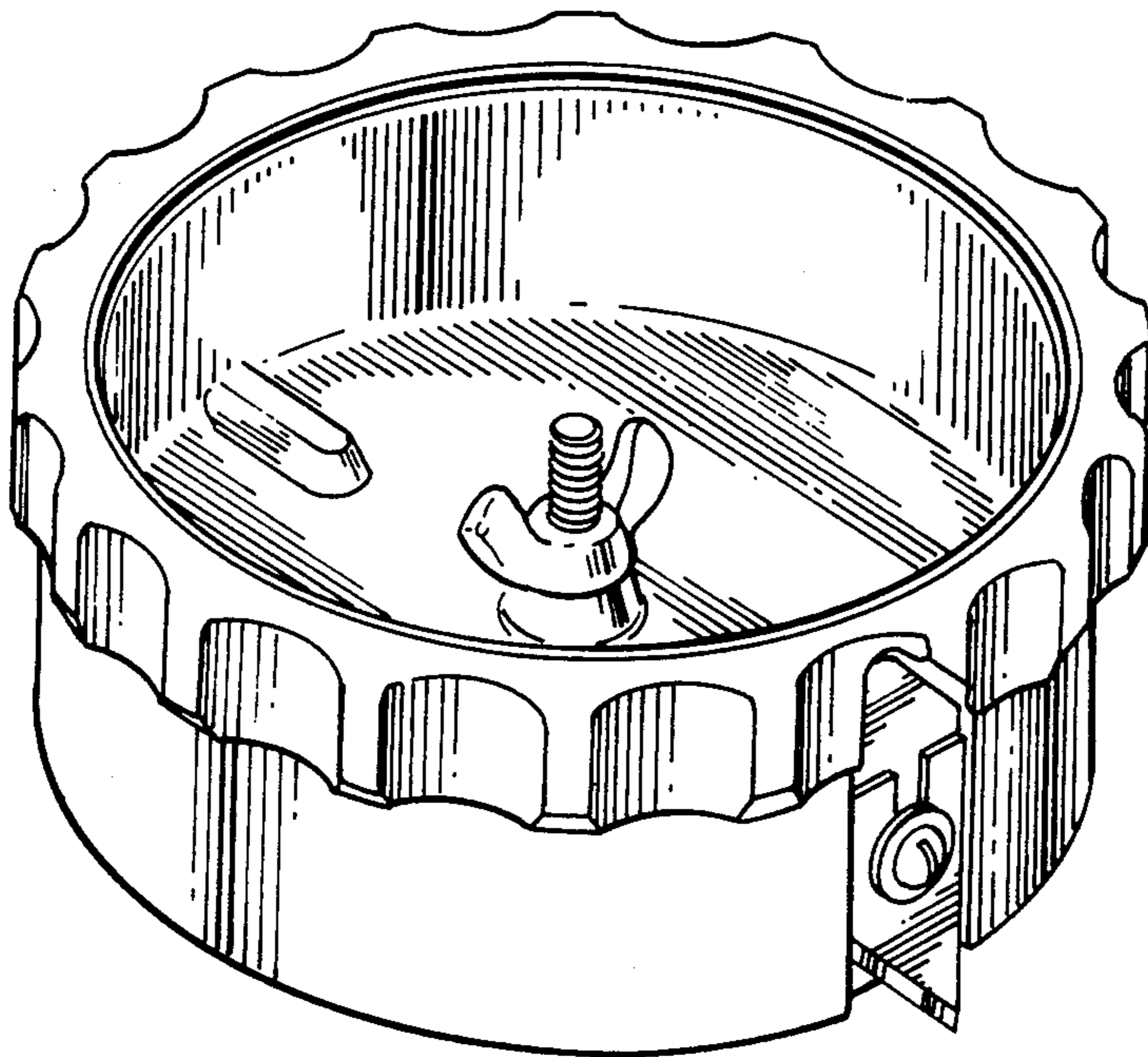


FIG. 1.

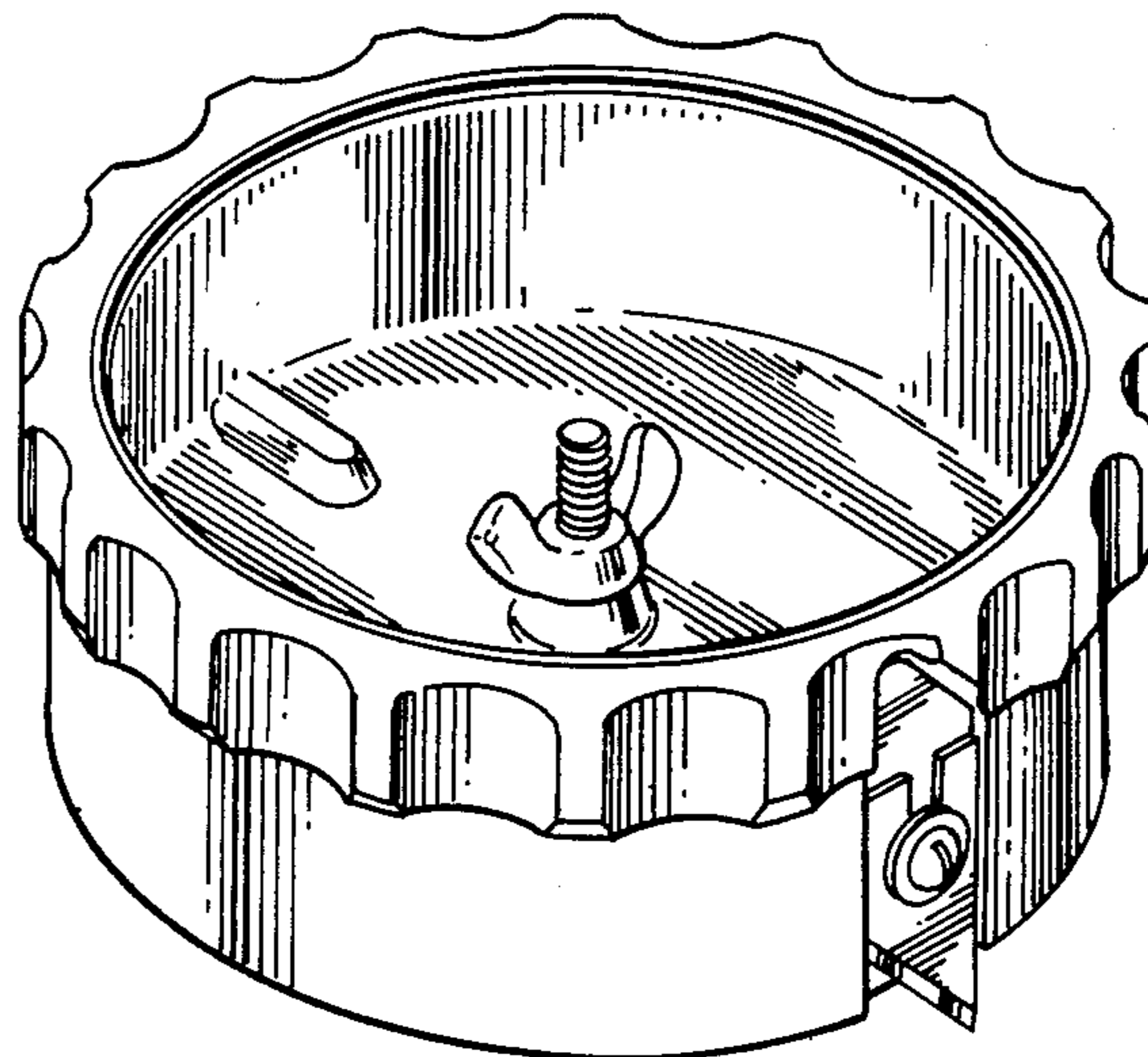


FIG. 2.

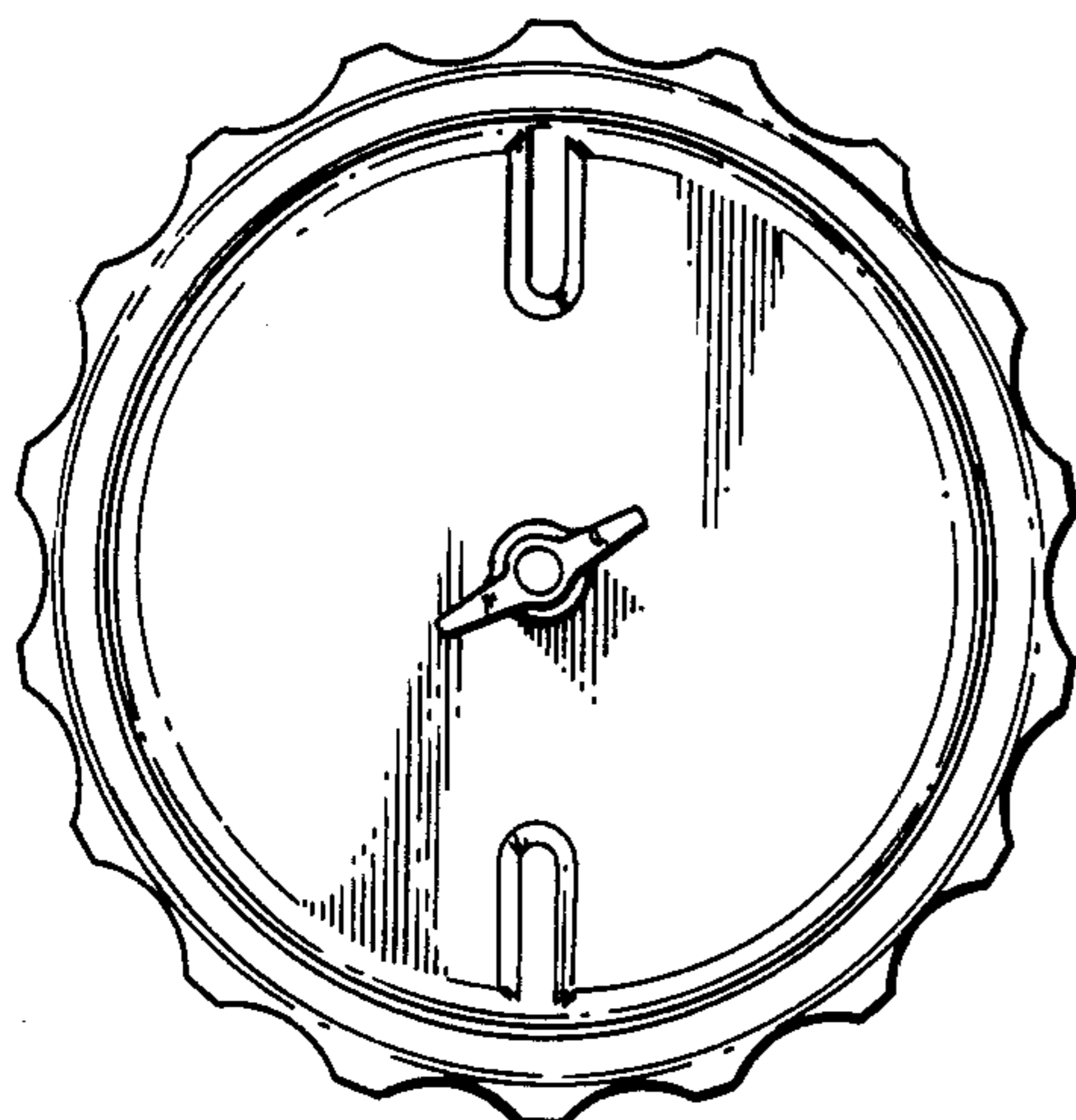


FIG. 4.

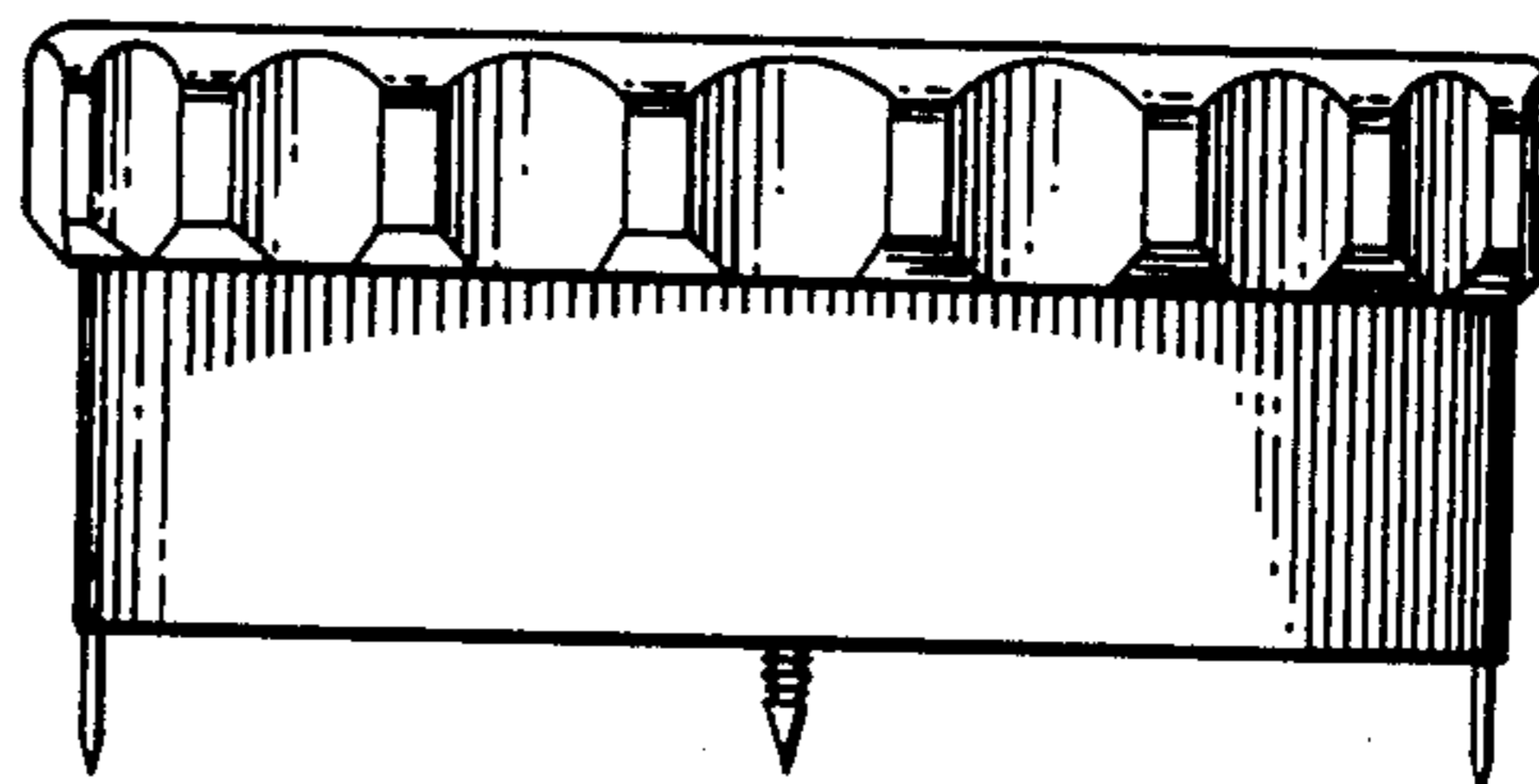


FIG. 3.

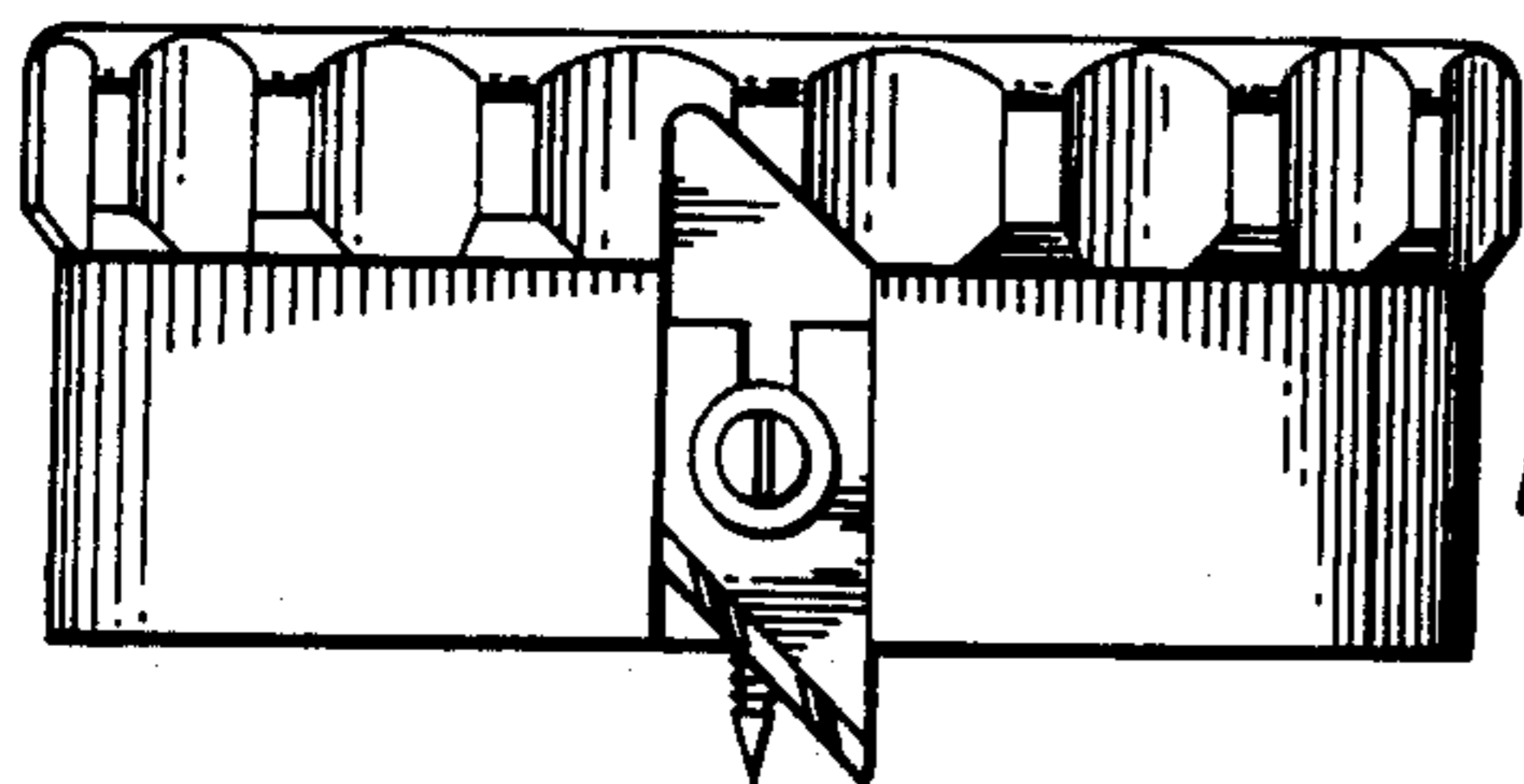


FIG. 5.

