

[54] **COMBINED COASTER AND COVER OR THE LIKE**

[75] Inventor: **Harold P. Ashton**, Province, R.I.

[73] Assignee: **Dart Industries Inc.**, Los Angeles, Calif.

[\*\*] Term: **14 Years**

[21] Appl. No.: **652,455**

[22] Filed: **Jan. 26, 1976**

[51] Int. Cl. .... **D7-06**

[52] U.S. Cl. .... **D7/45**

[58] Field of Search ..... **D7/40, 45, 83, 130, D7/1-4, 23-36; D9/220; 215/100.5, 227, 228; 248/346.1**

[56] **References Cited**

**U.S. PATENT DOCUMENTS**

132,808 11/1872 **Currier** ..... 248/346.1

|            |        |                 |       |           |
|------------|--------|-----------------|-------|-----------|
| 1,069,141  | 8/1913 | Jones           | ..... | 248/346.1 |
| 2,041,563  | 5/1936 | Meinecke        | ..... | 215/227   |
| 3,268,198  | 8/1966 | Swett           | ..... | D7/45 X   |
| 3,805,991  | 4/1974 | Cheladze et al. | ..... | D7/40 X   |
| D. 223,854 | 6/1972 | Swett et al.    | ..... | D7/40     |
| D. 230,574 | 3/1974 | Commisso        | ..... | D7/40     |

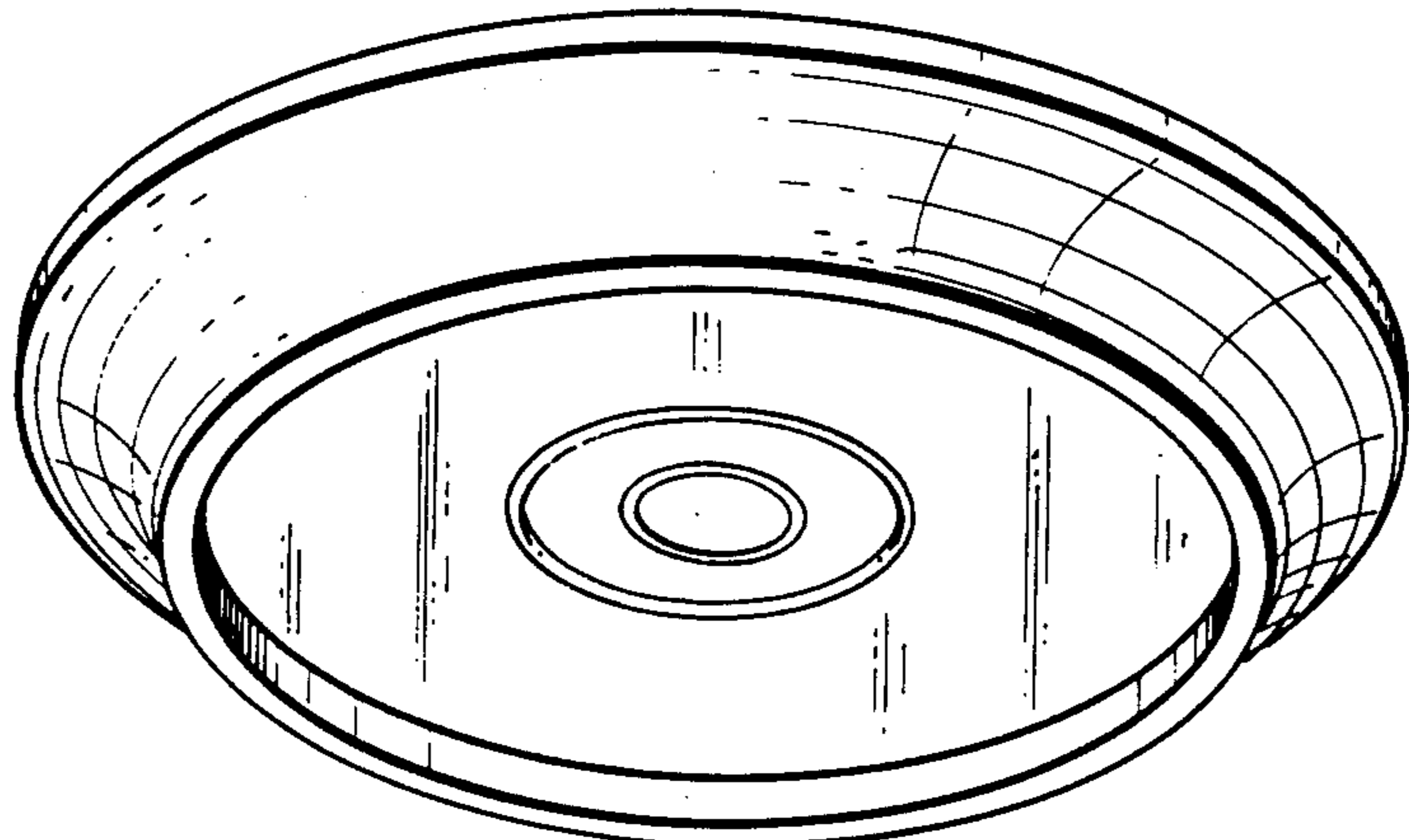
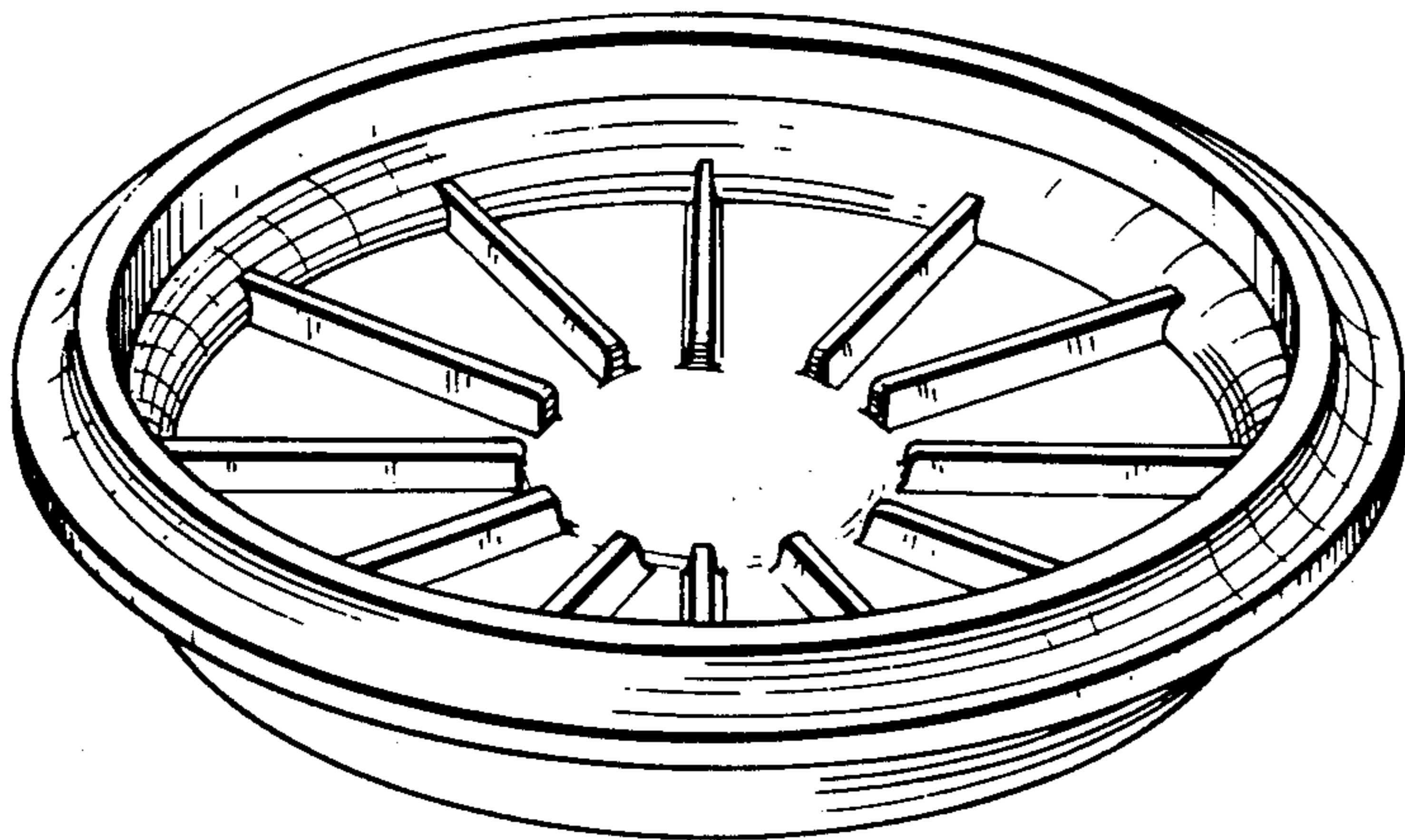
*Primary Examiner*—Winifred E. Herrmann  
*Attorney, Agent, or Firm*—Leigh B. Taylor

[57] **CLAIM**

The ornamental design for a combined coaster and cover or the like, substantially as shown.

**DESCRIPTION**

FIG. 1 is a top perspective view of the combined coaster and cover or the like showing my new design; FIG. 2 is a bottom perspective view thereof; FIG. 3 is a top plan view thereof; FIG. 4 is a bottom plan view thereof; FIG. 5 is an elevational view thereof; and FIG. 6 is a cross-sectional view thereof taken along line 6-6 of FIG. 3.



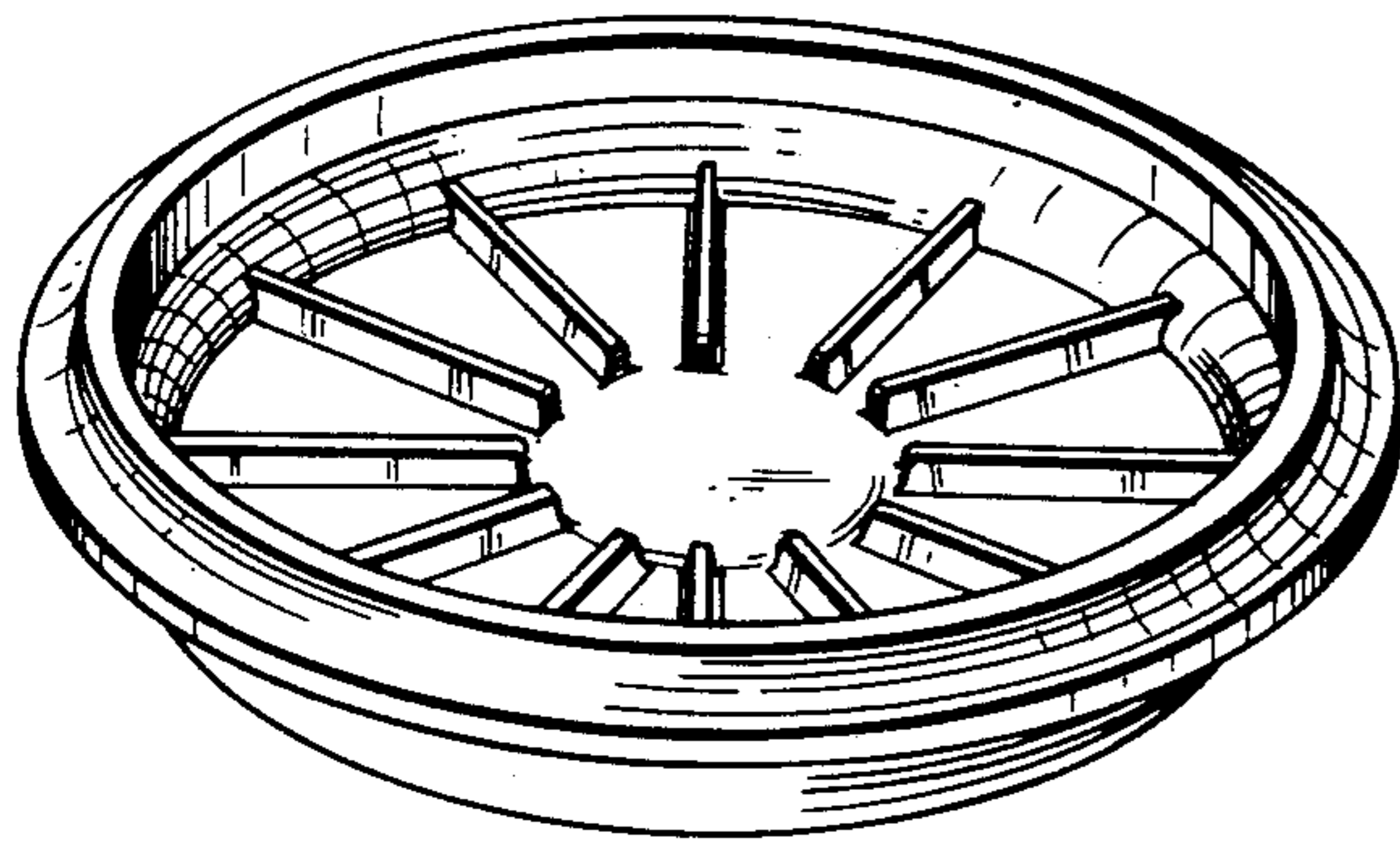


FIG. 1

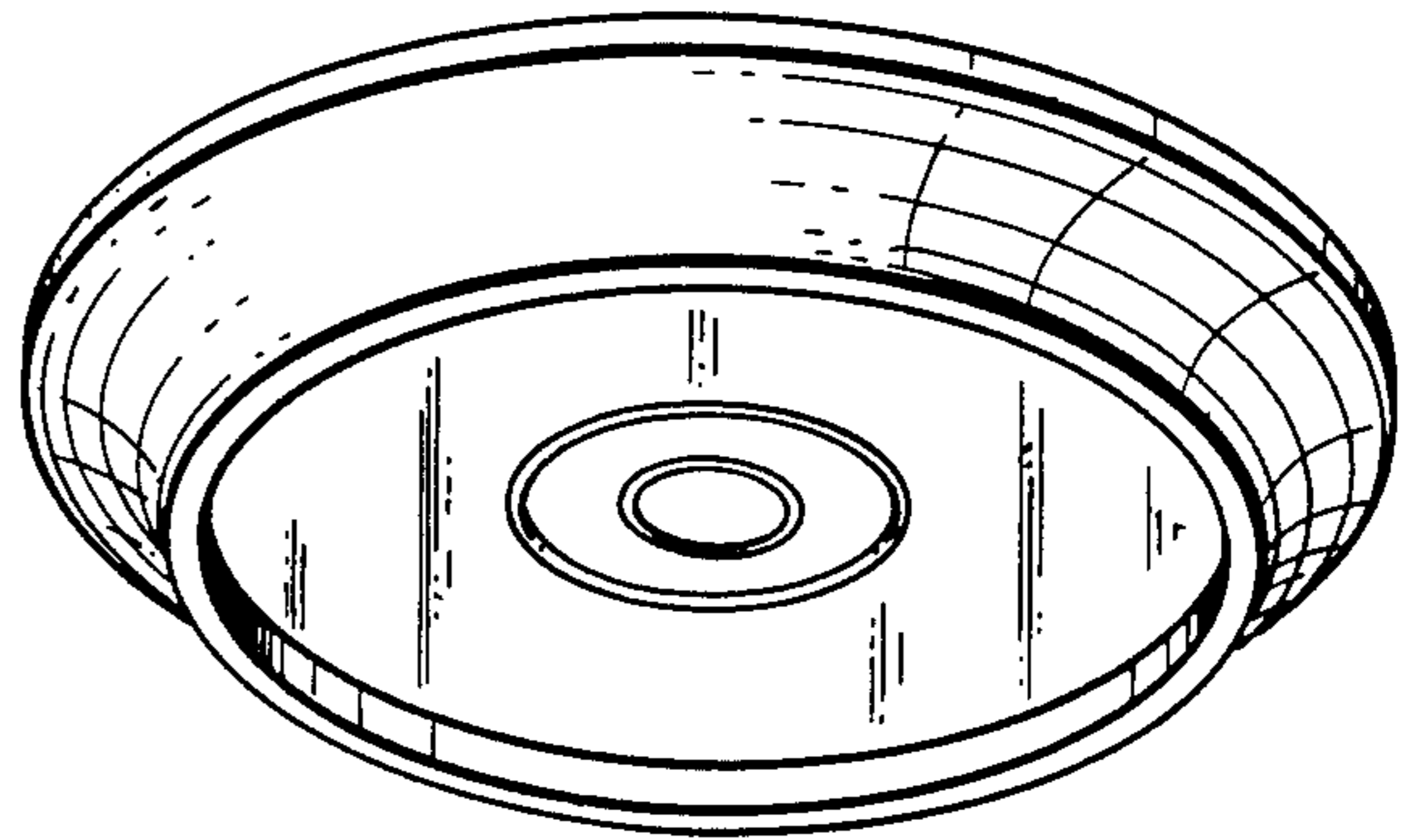


FIG. 2

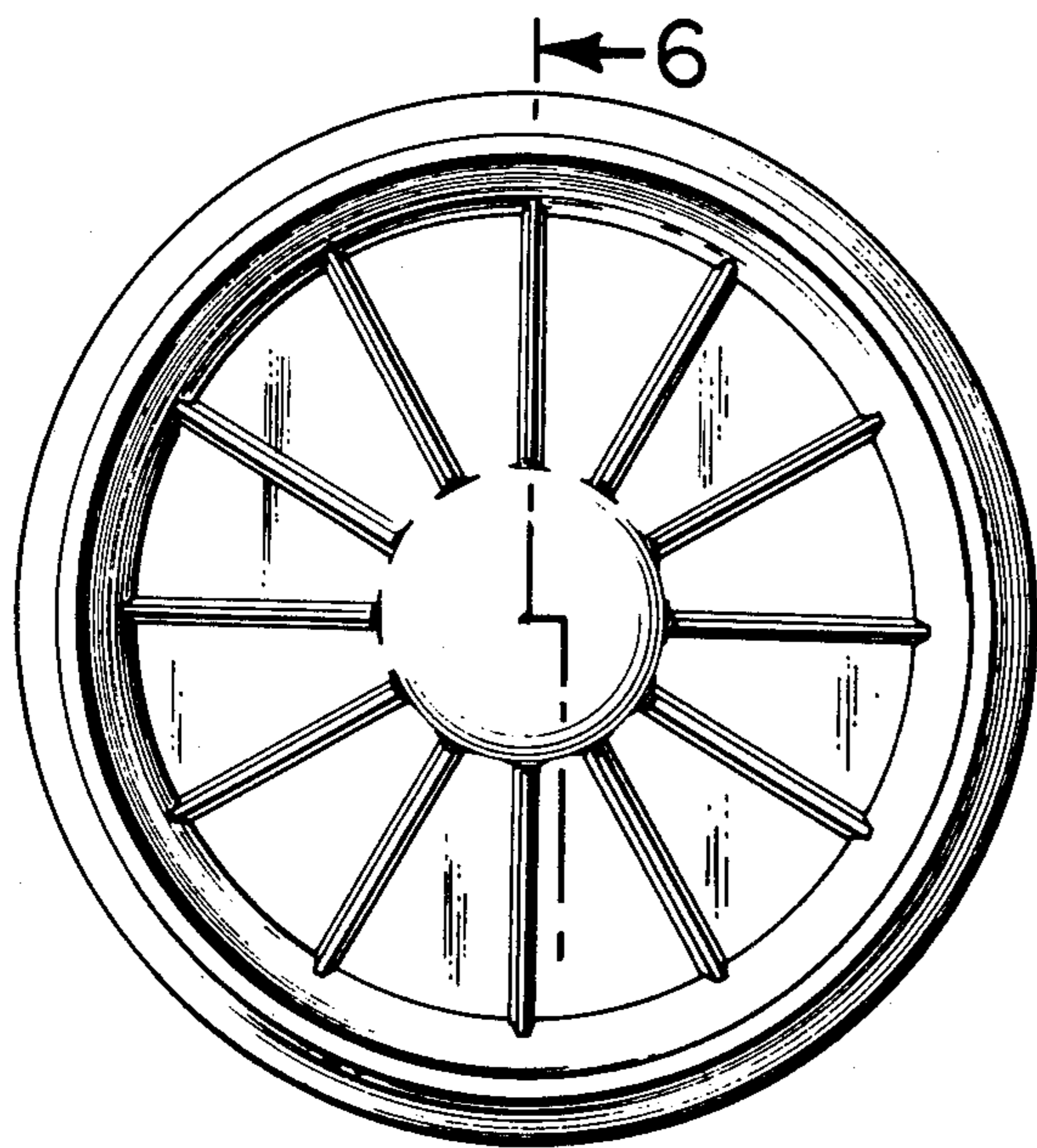


FIG. 3

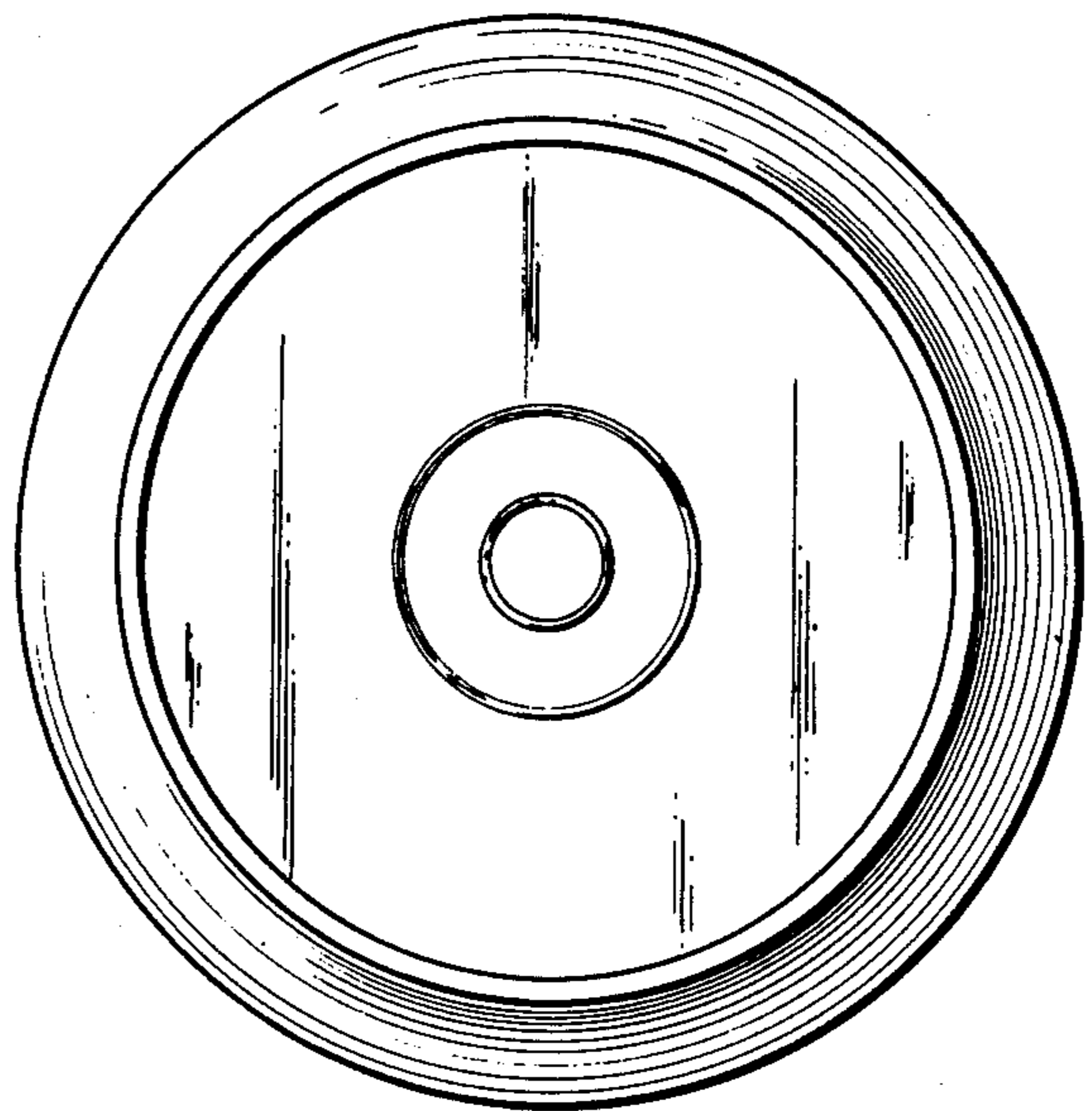


FIG. 4

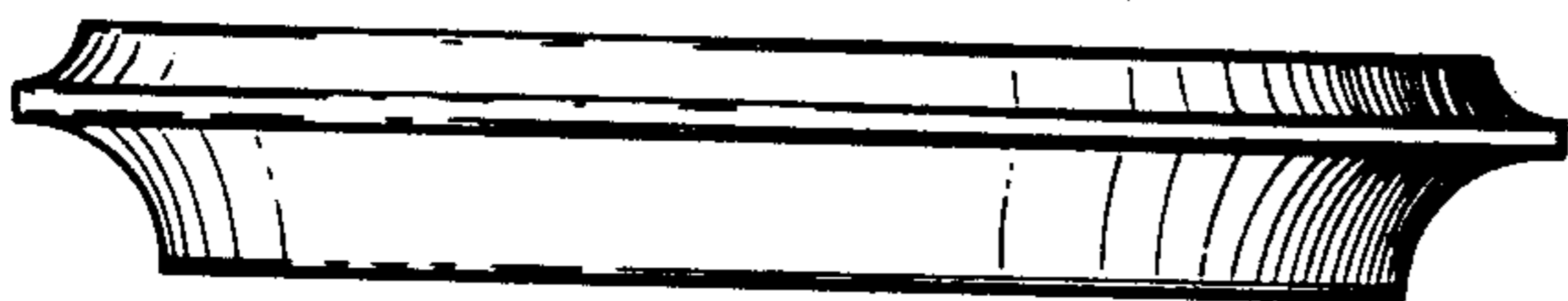


FIG. 5

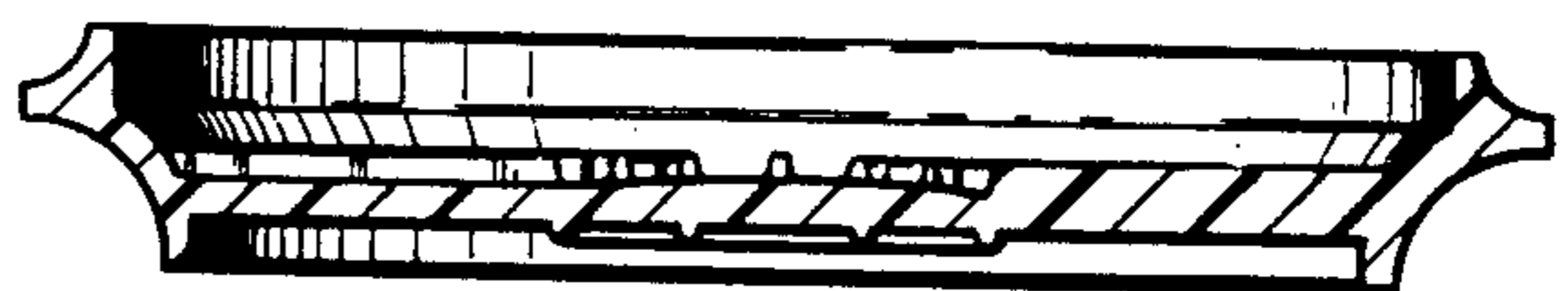


FIG. 6