

[54] LAMP BASE

[76] Inventor: Harry E. Mueller, 2149 Delmar, Granite City, Ill. 62040

[\*\*] Term: 14 Years

[21] Appl. No.: 713,288

[22] Filed: Aug. 11, 1976

[51] Int. Cl. .... D26-05

[52] U.S. Cl. .... D48/20 R

[58] Field of Search ..... D48/20 R, 20 C, 20 E, D48/23 R, 20 A; 240/10 R, 28 L, 81 R, 81 BS, 73 R, 78 R

[56] References Cited

U.S. PATENT DOCUMENTS

D. 80,249	12/1929	Toeller .....	D48/20 R
D. 179,187	11/1956	Clemens .....	D48/20 R
D. 212,705	11/1968	Martin .....	D48/20 R

OTHER PUBLICATIONS

Home Lighting & Accessories, Sept. 1975, p. 8, Table lamp composed of columns, (top photograph).

Primary Examiner—Susan J. Lucas

Attorney, Agent, or Firm—Ralph W. Kalish

[57] CLAIM

The ornamental design for a lamp base, as shown.

DESCRIPTION

FIG. 1 is a top plan view of a lamp base showing my new design.

FIG. 2 is a side elevational view thereof.

FIG. 3 is a side elevational view taken at a 90° angle to FIG. 2.

FIG. 4 is a side elevational view taken at a 90° angle to FIG. 4.

FIG. 5 is a side elevational view taken at a 90° angle to FIG. 4.

FIG. 6 is a bottom plan view.

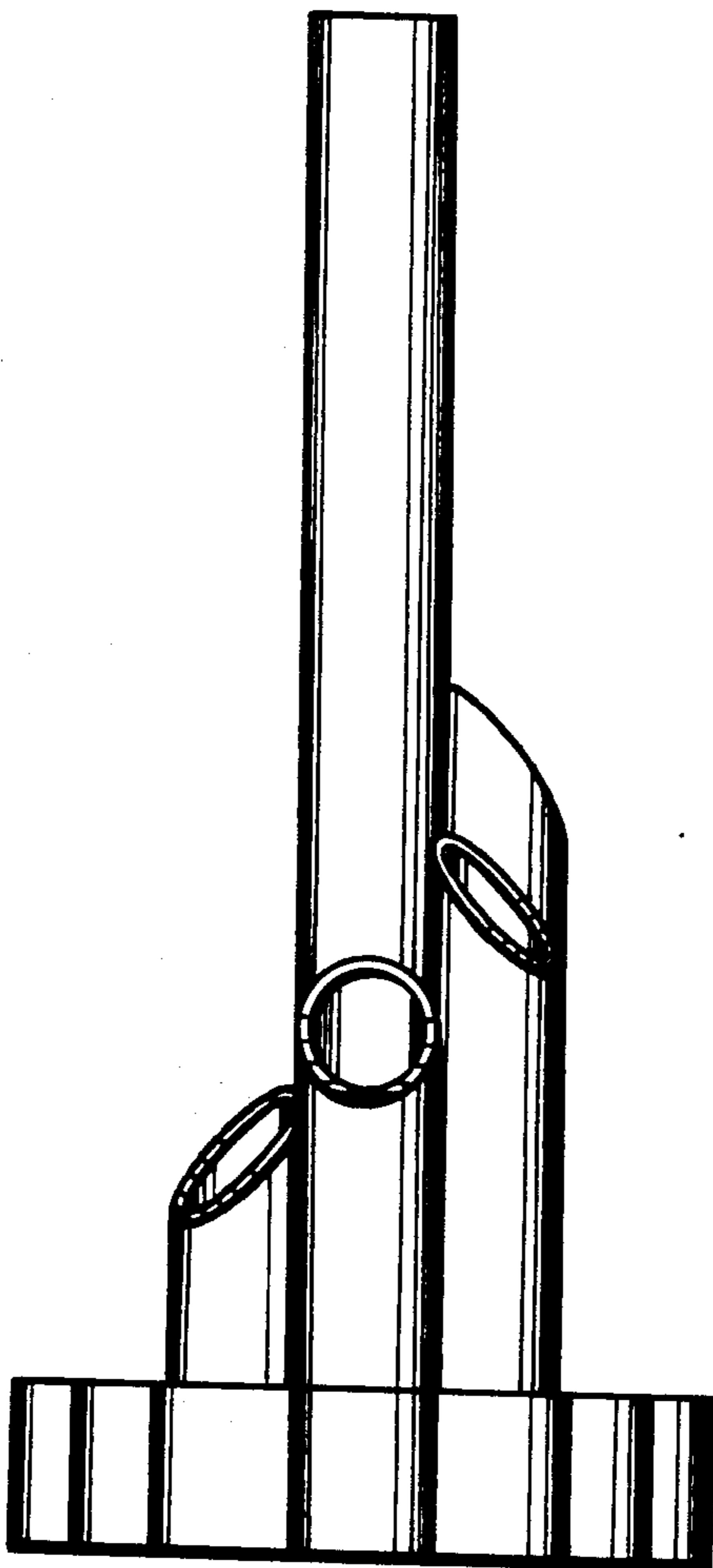


FIG. 1

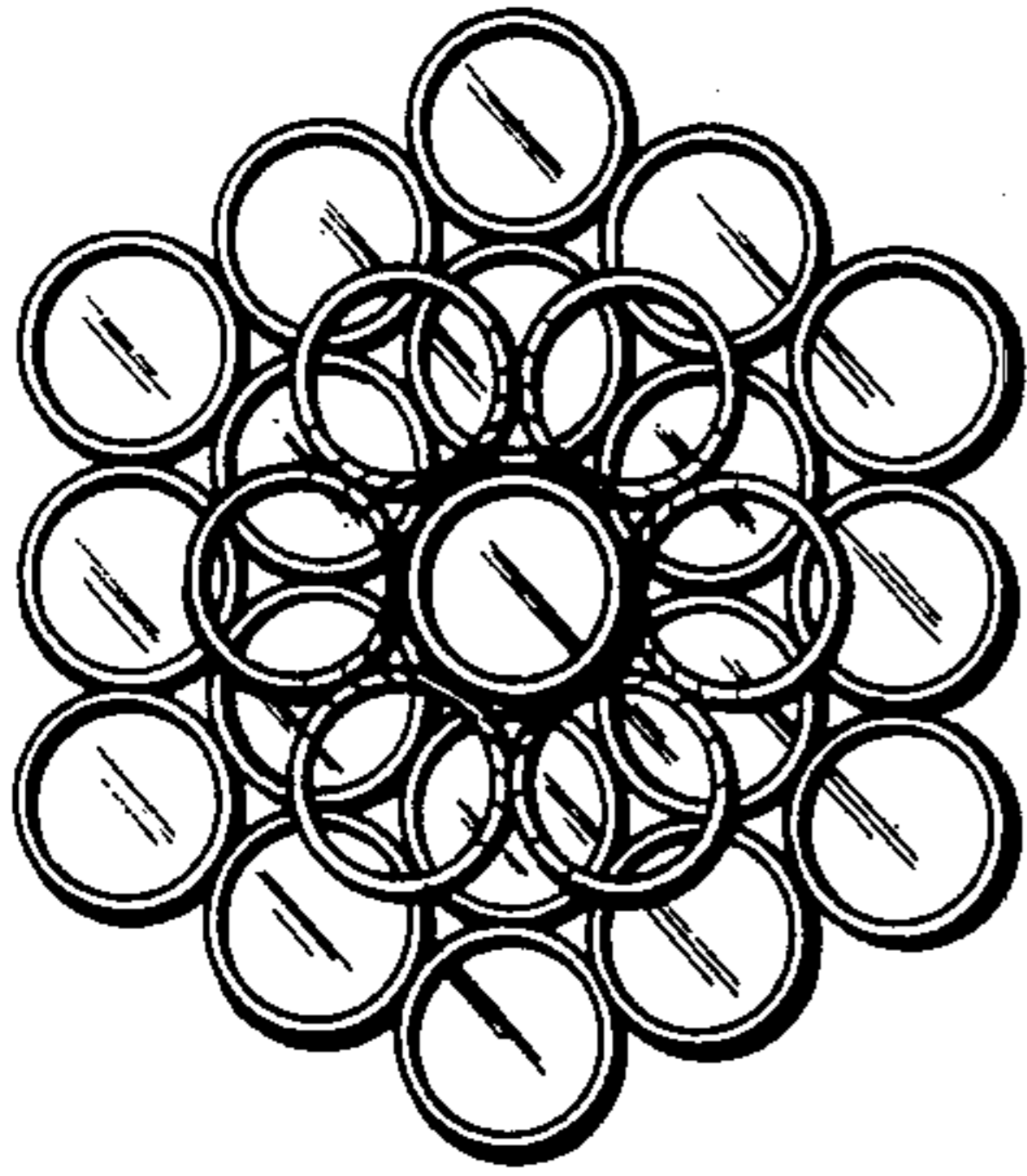


FIG. 3

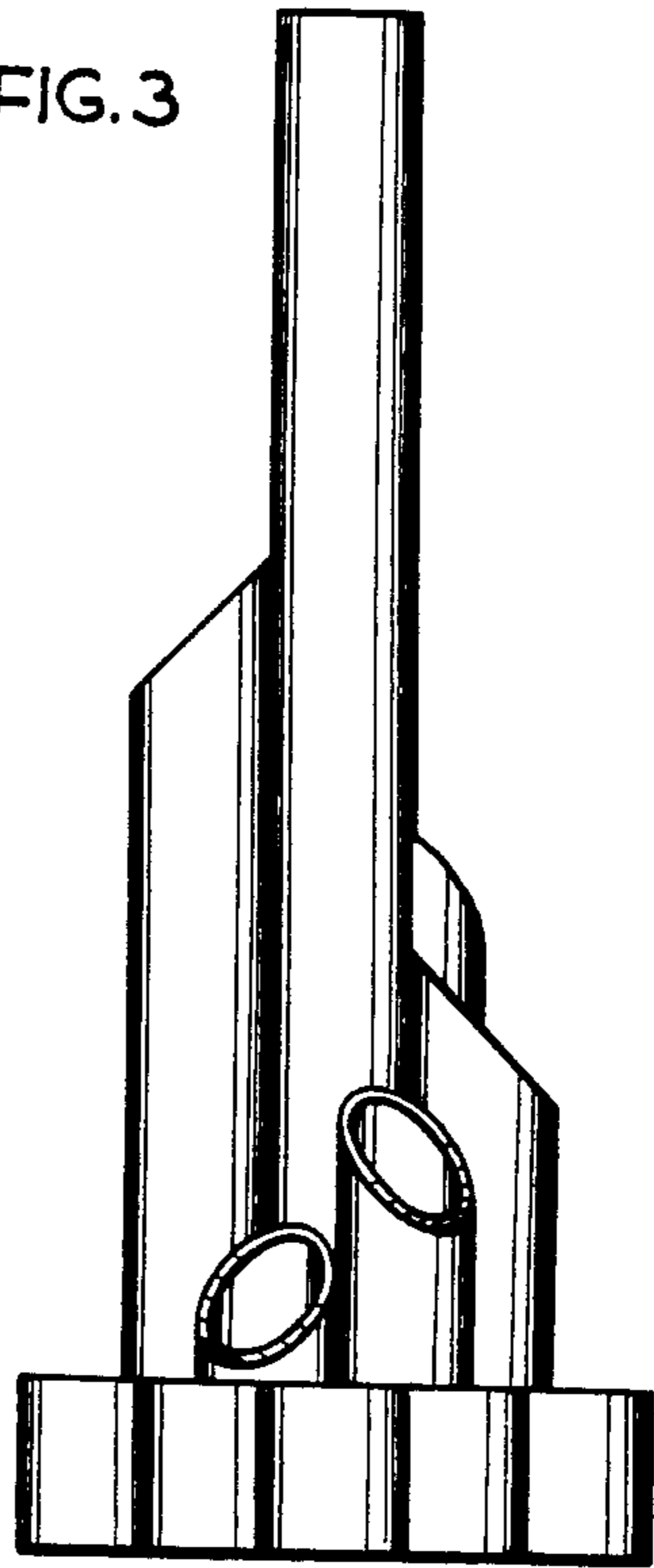


FIG. 2

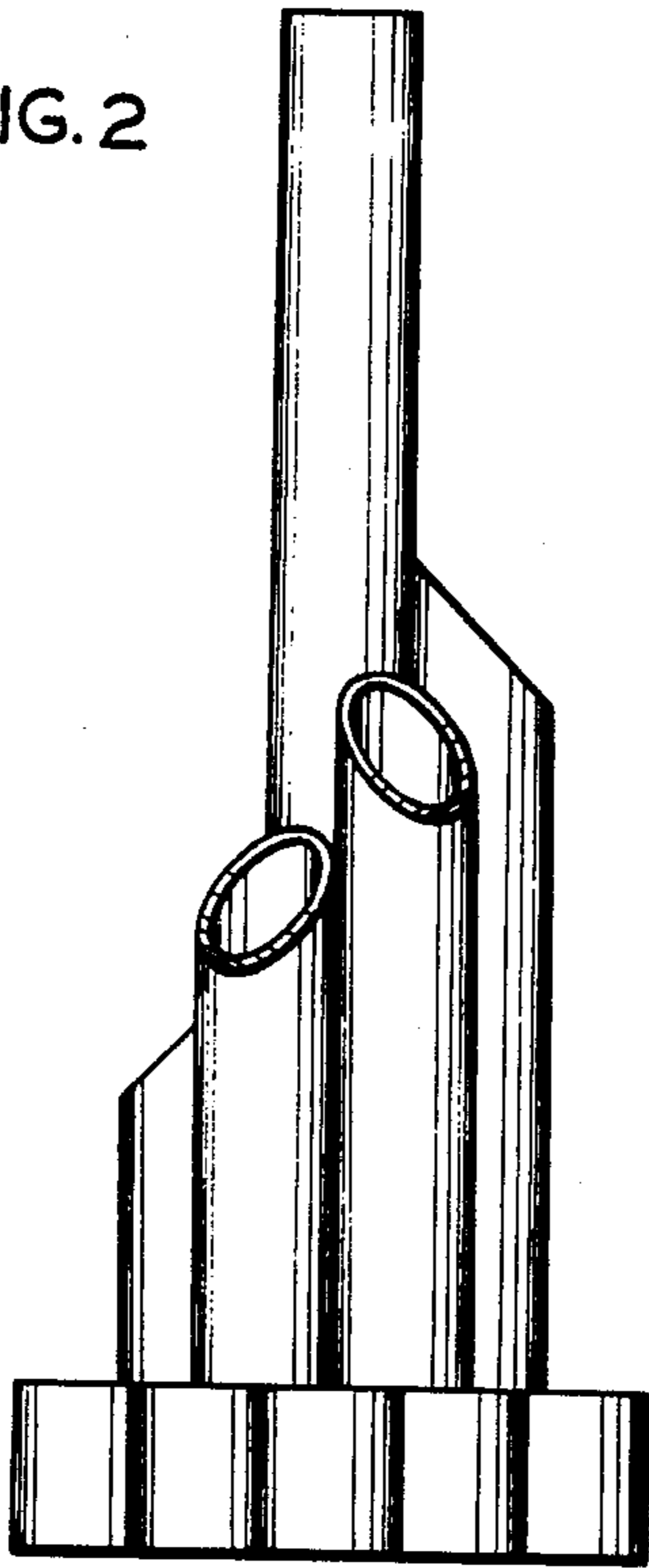


FIG. 4

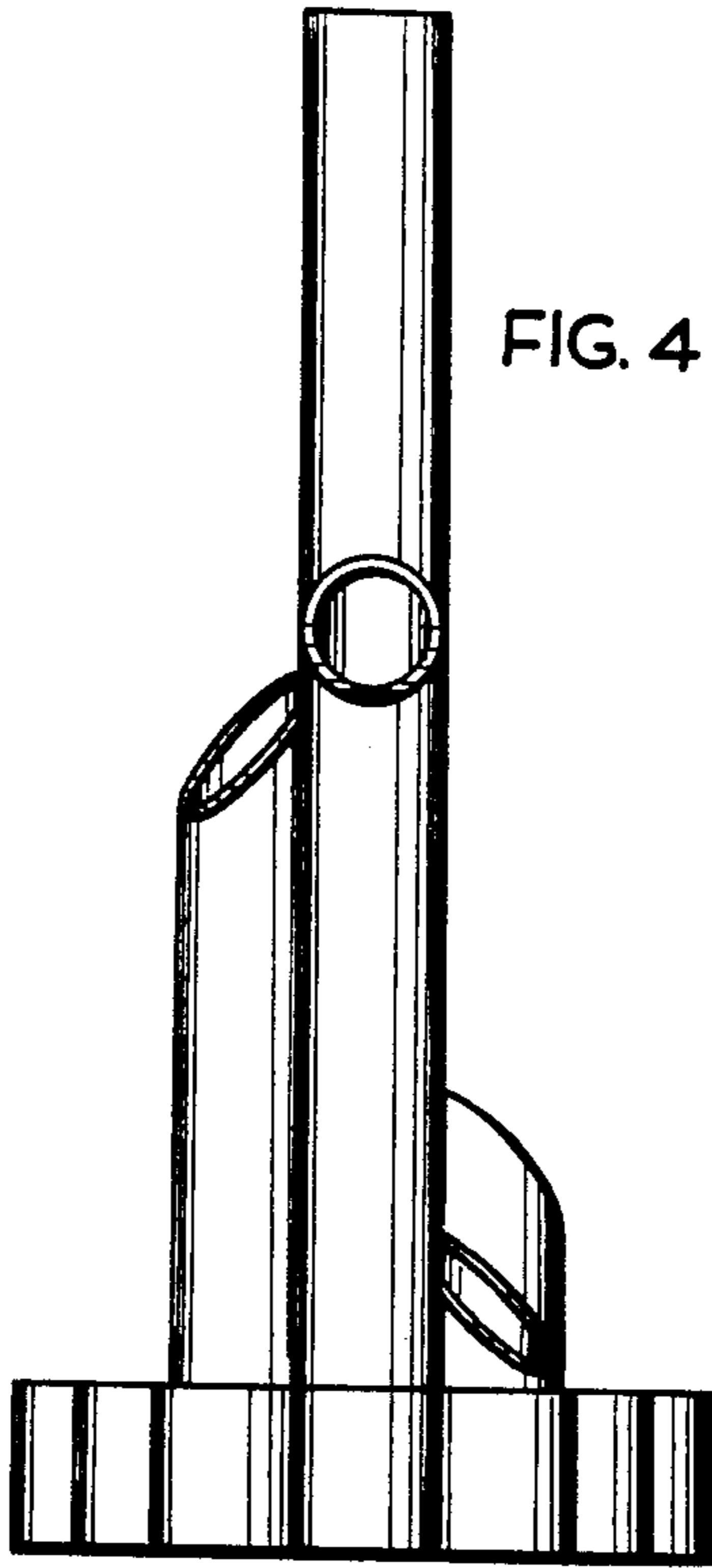


FIG. 5

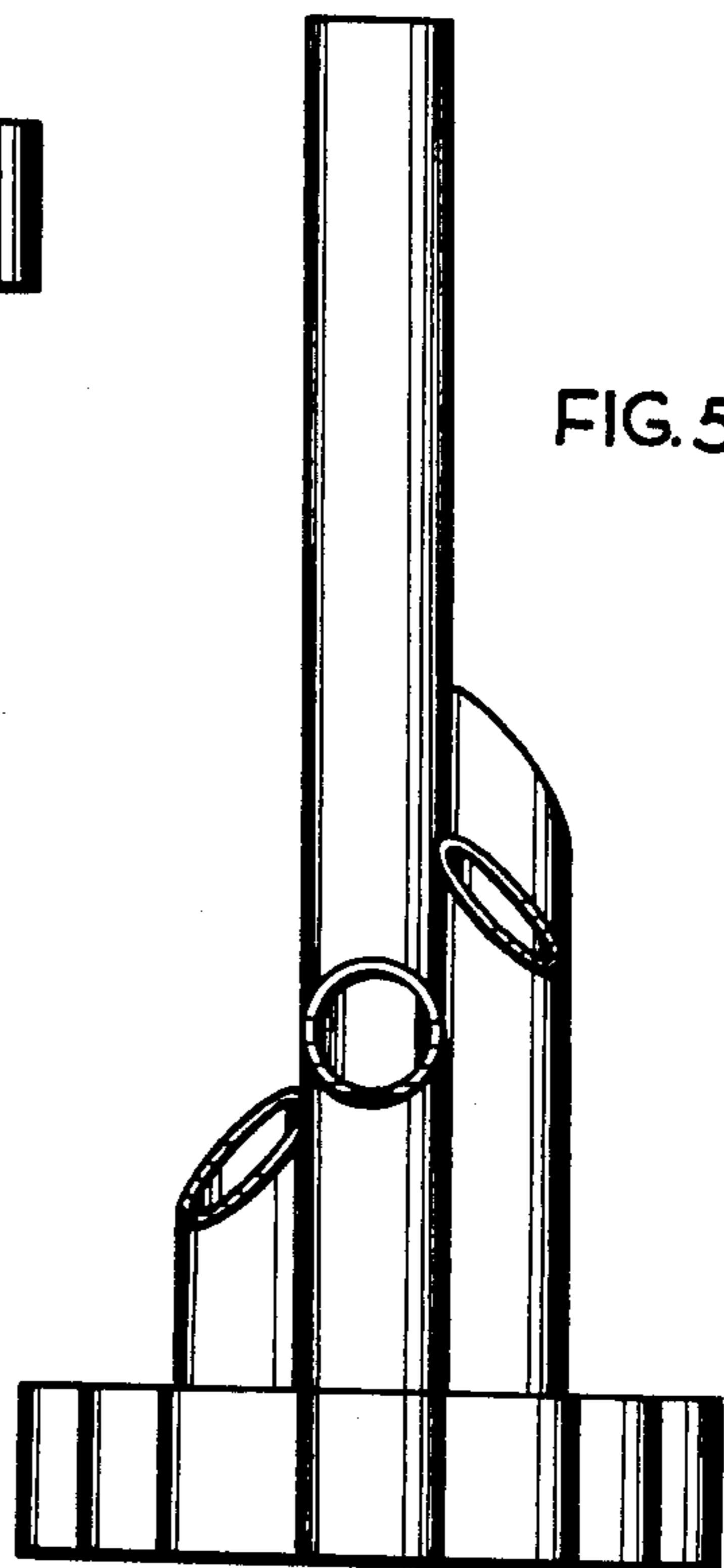


FIG. 6

