

[54] **BEARING UNIT FOR MECHANICAL MEASURING DEVICES**

[75] **Inventor: Sture Berglund, Tyreso, Sweden**

[73] **Assignee: Alfredeen Production AB, Bandhagen, Sweden**

[\*\*] **Term: 14 Years**

[21] **Appl. No.: 617,020**

[22] **Filed: Sept. 26, 1975**

[30] **Foreign Application Priority Data**  
Apr. 3, 1975 Sweden ..... 75679

[51] **Int. Cl. .... D15-99**  
[52] **U.S. Cl. .... D15/143**

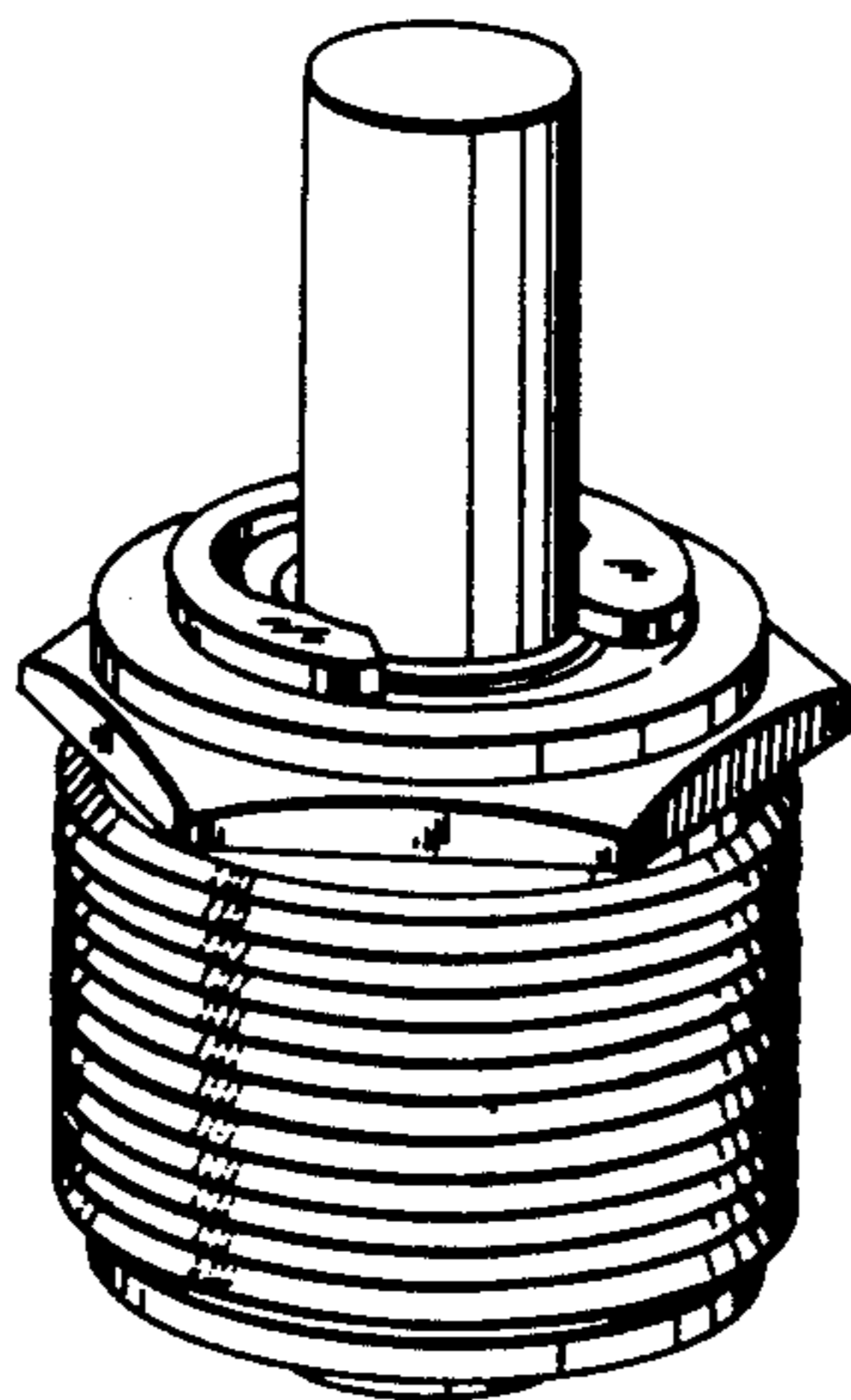
[58] **Field of Search** ..... D46/1 H; 308/189 R, 308/189 A, 193, 188, 205

[56] **References Cited**  
**U.S. PATENT DOCUMENTS**  
3,799,635 3/1974 Worrix ..... 308/189  
3,951,484 4/1976 Bowman, Jr. .... 308/189 X

*Primary Examiner*—William N. Wertman  
*Attorney, Agent, or Firm*—Nelson Littell

[57] **CLAIM**  
The ornamental design for a bearing unit for mechanical measuring devices, as shown.

**DESCRIPTION**  
FIG. 1 is a top perspective view of the bearing unit for mechanical measuring devices showing my new design, and  
FIG. 2 is a bottom perspective view thereof.



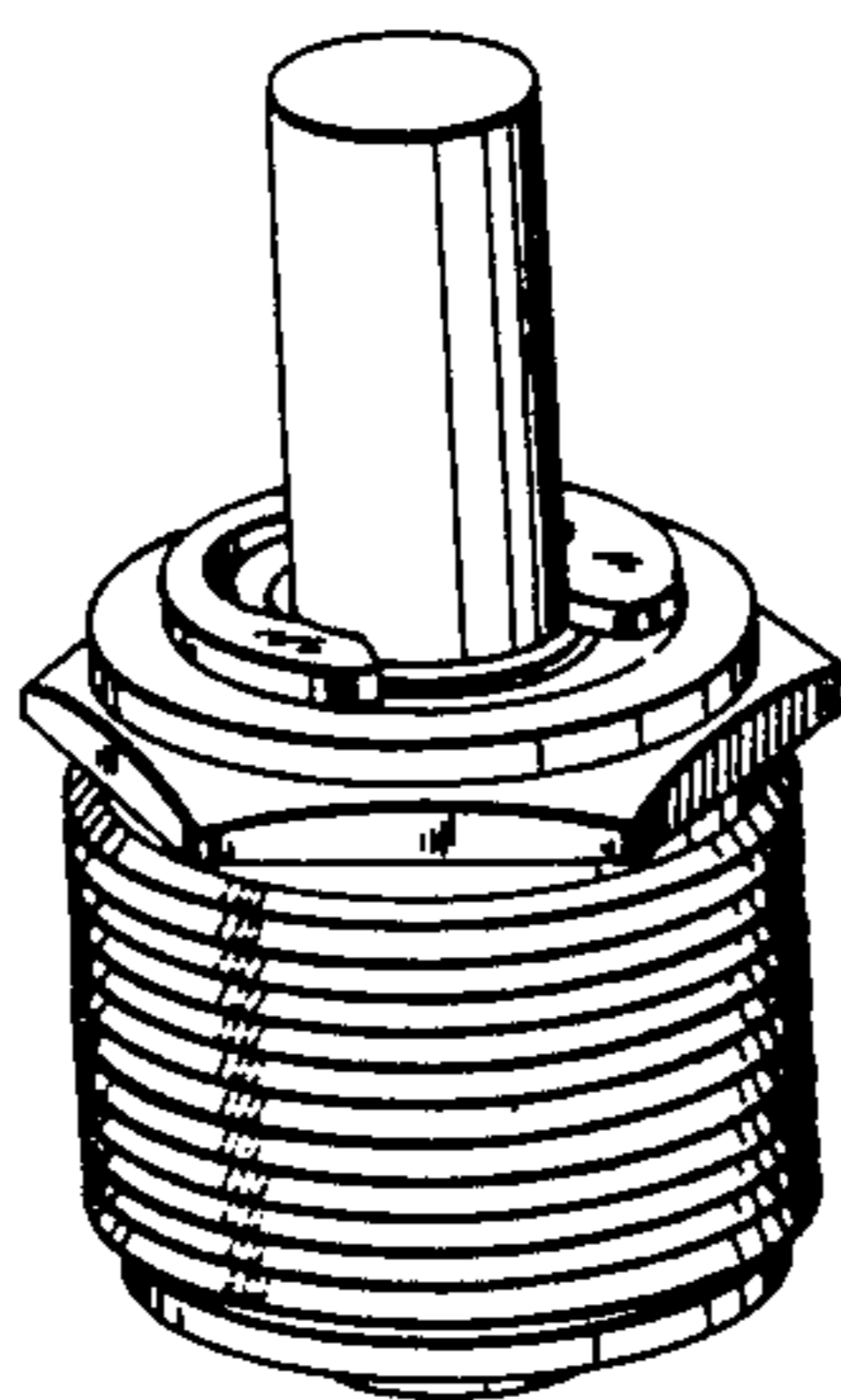


FIG. 1

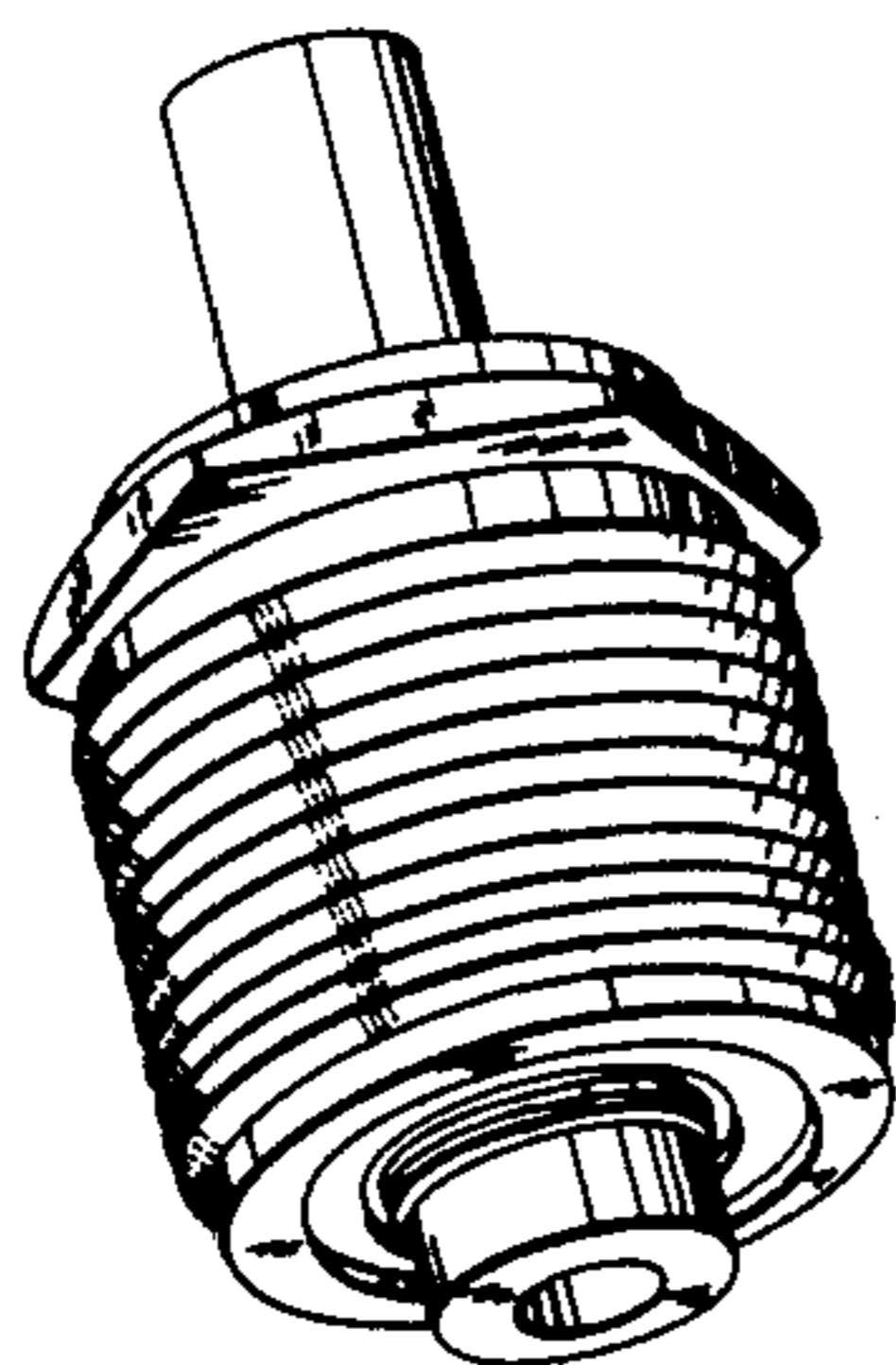


FIG. 2