

[54] GOLF CLUB WOOD HEAD

[76] Inventor: Jerry Barber, P.O. Box 550, La Canada, Calif. 91011

[\*\*] Term: 14 Years

[21] Appl. No.: 620,696

[22] Filed: Oct. 8, 1975

[51] Int. Cl. .... D21-02

[52] U.S. Cl. .... D34/5 GH

[58] Field of Search ..... D34/5 GH, 5 GC; 273/167, 168, 169, 170, 171, 172, 173, 174, 175

[56] References Cited

U.S. PATENT DOCUMENTS

722,927	3/1903	Swift	273/175
D. 206,888	2/1967	Biltz	D34/5 GC
D. 219,156	11/1970	Risher	D34/5 GH

FOREIGN PATENT DOCUMENTS

5,739	1910	United Kingdom	273/167 J
-------	------	----------------	-----------

Primary Examiner—Melvin B. Feifer

Attorney, Agent, or Firm—Robert L. Parker

[57] CLAIM

The ornamental design for golf club wood head, substantially as shown and described.

DESCRIPTION

FIG. 1 is a front elevational view of the golf club wood head (driver) showing my new design;

FIG. 2 is an elevational view taken from the right or heel end of the golf club wood head along lines 2—2 of FIG. 1;

FIG. 3 is an elevational view taken from the left or toe end of the golf club wood head along lines 3—3 of FIG. 1;

FIG. 4 is an elevational view taken from the rear of the golf club wood head along lines 4—4 of FIG. 2;

FIG. 5 is a top view taken from above the golf club wood head along lines 5—5 of FIG. 1;

FIG. 6 is a bottom view taken from below the golf club wood head along lines 6—6 of FIG. 3;

FIG. 7 is a front elevational view of the golf club wood (4 wood) showing my new design;

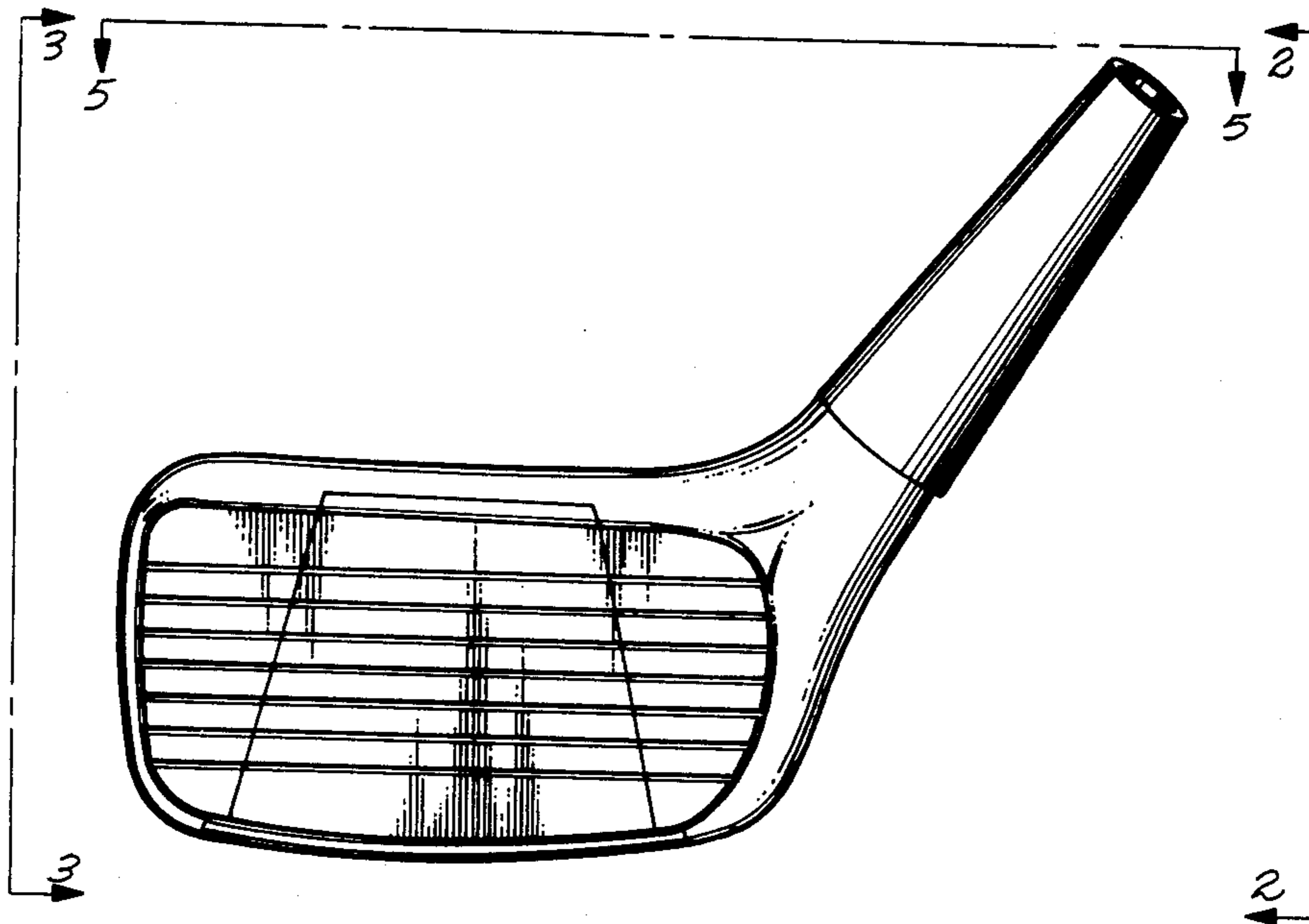
FIG. 8 is an elevational view taken from the right or heel end of the golf club wood head along lines 8—8 of FIG. 7;

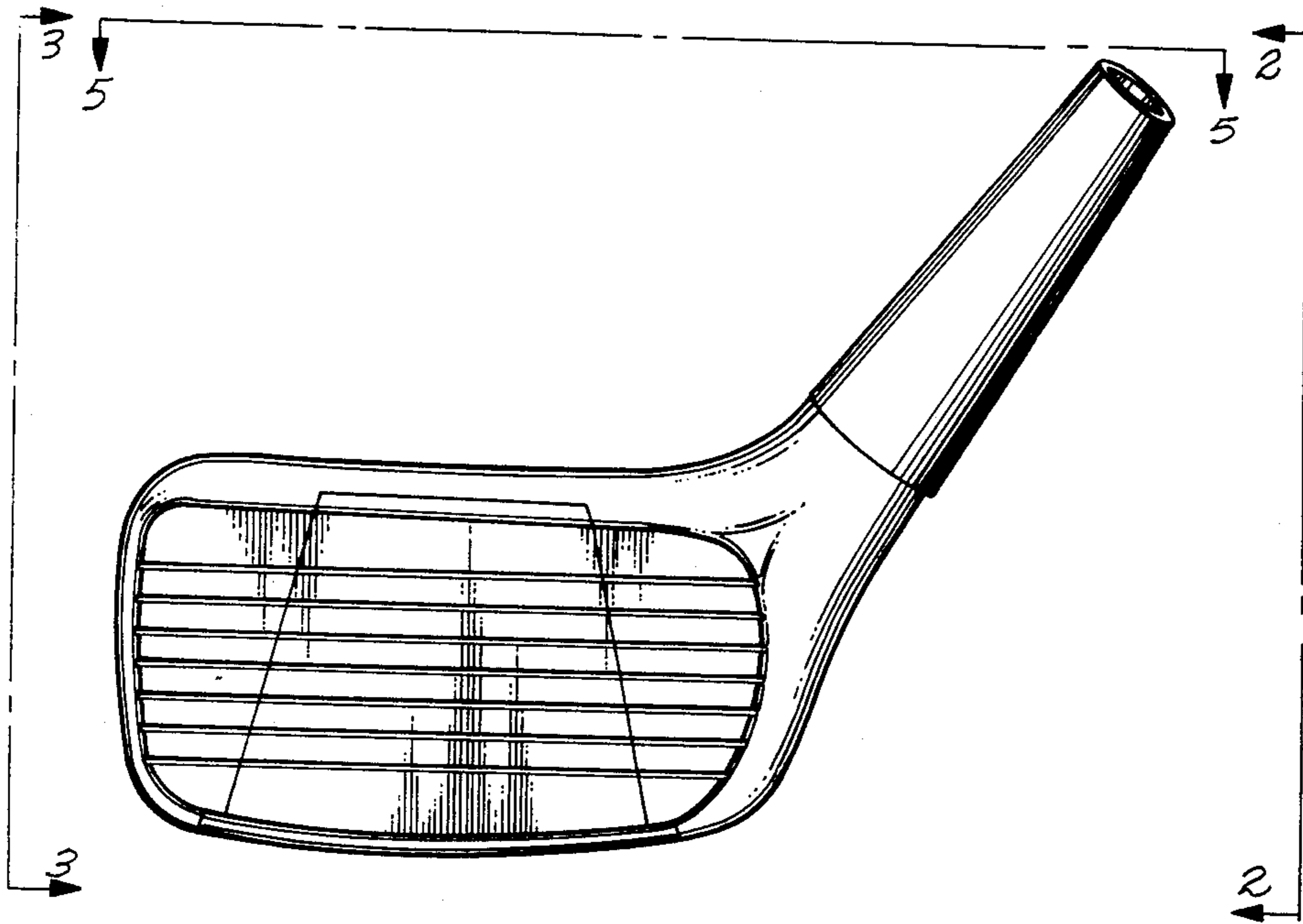
FIG. 9 is an elevational view taken from the left or toe end of the golf club wood head along lines 9—9 of FIG. 7;

FIG. 10 is an elevational view taken from the rear of the golf club wood head along lines 10—10 of FIG. 8;

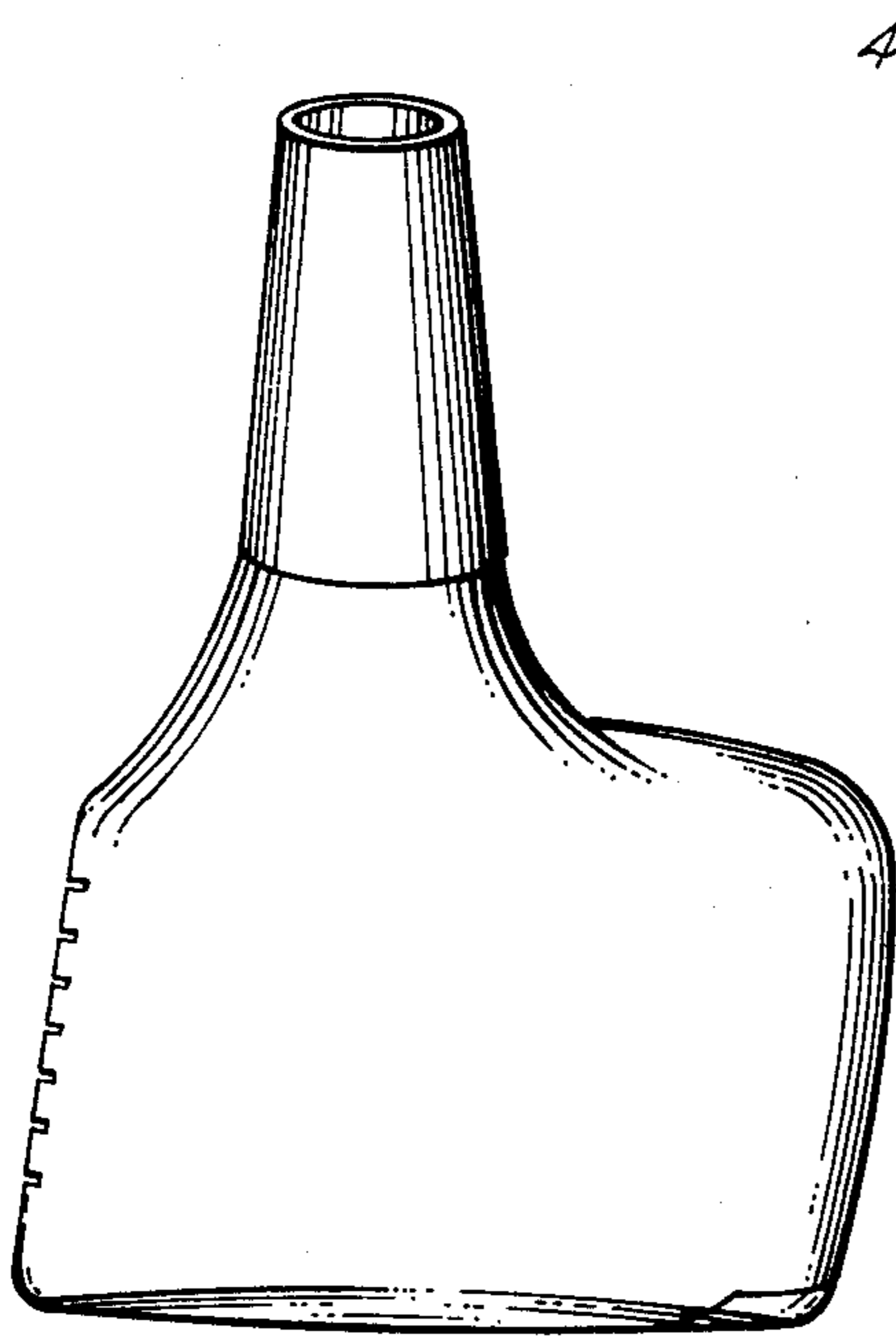
FIG. 11 is a top view taken from above the golf club wood head along lines 11—11 of FIG. 7; and

FIG. 12 is a bottom view taken from below the golf club wood head along lines 12—12 of FIG. 9.

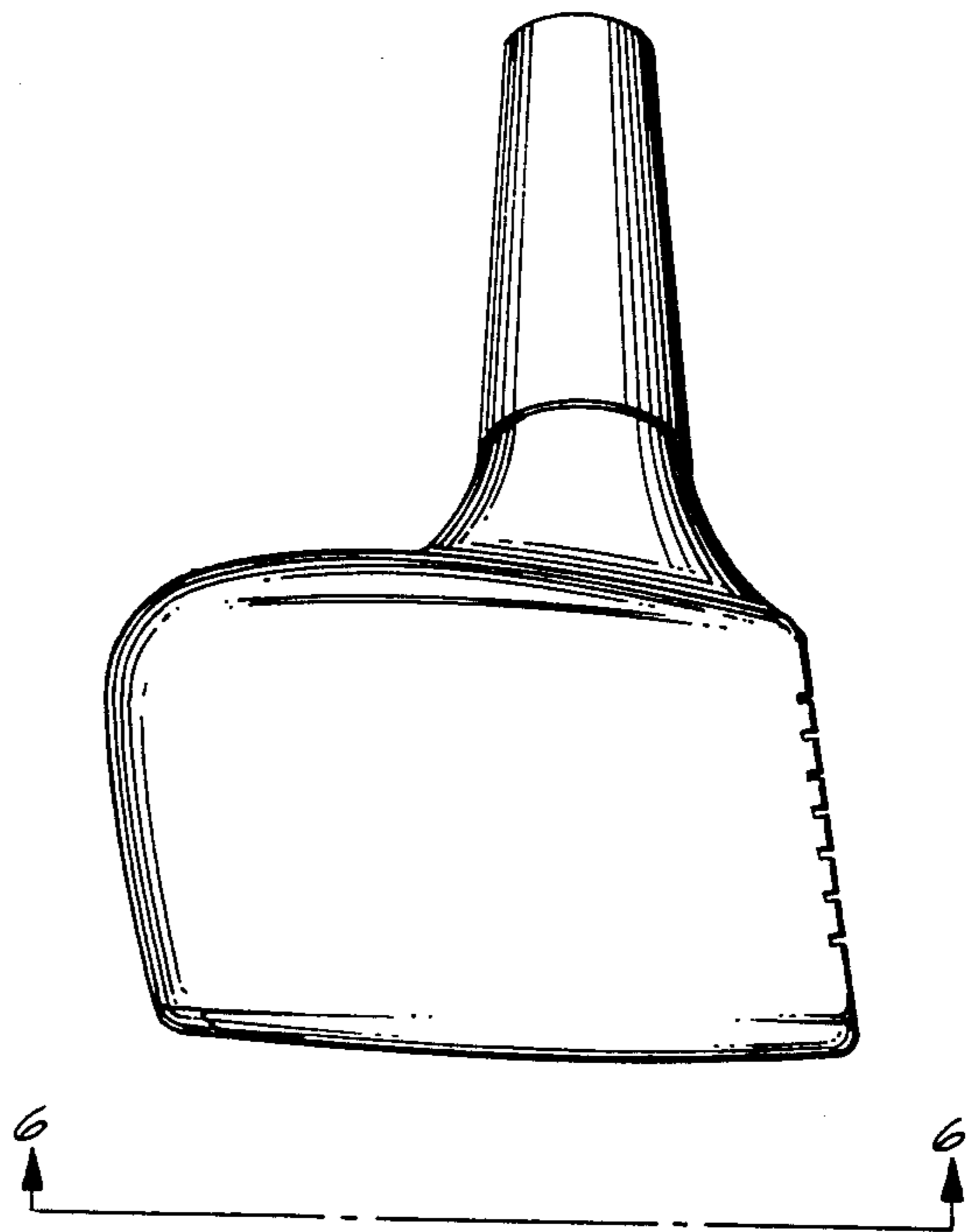




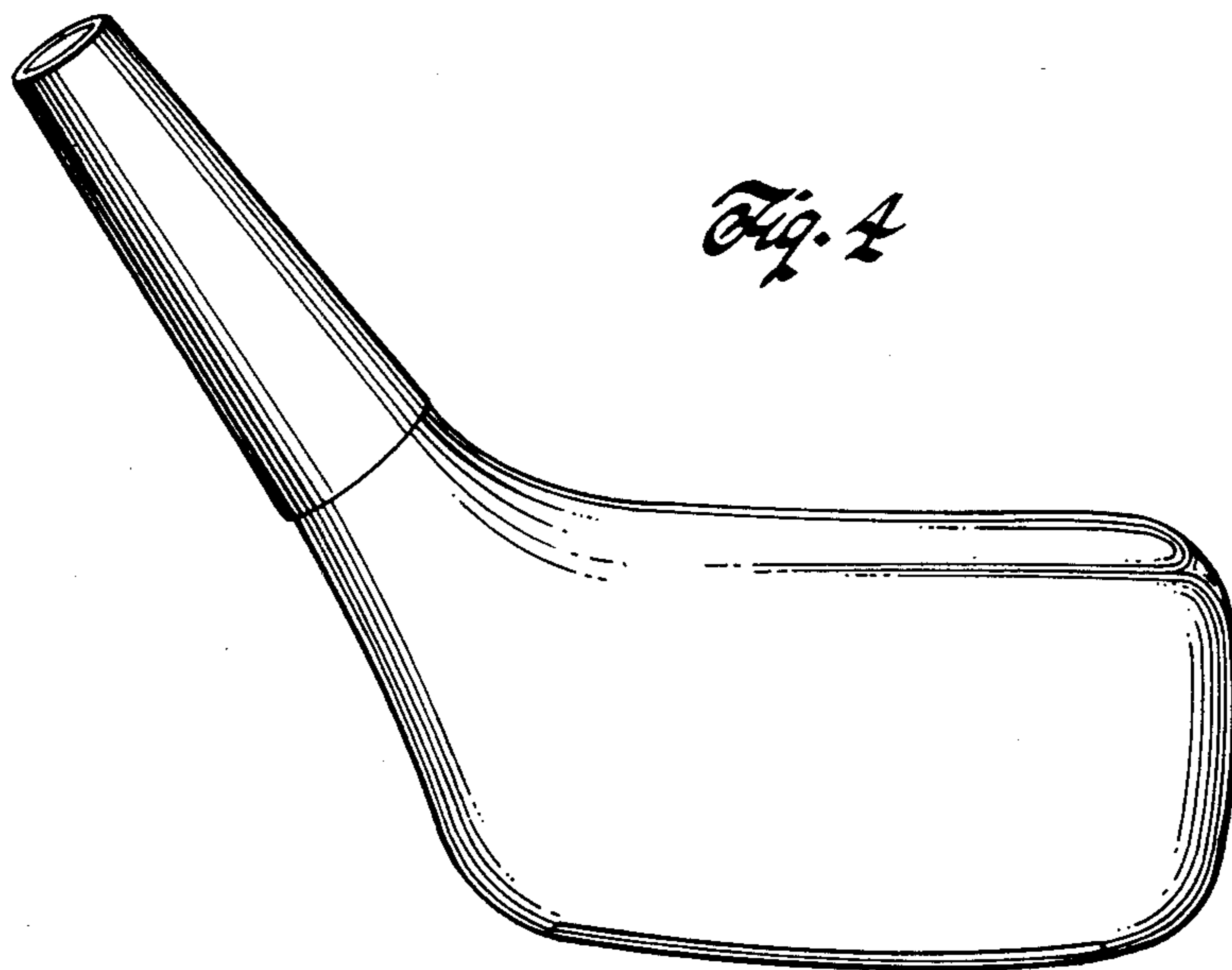
*Fig. 1*



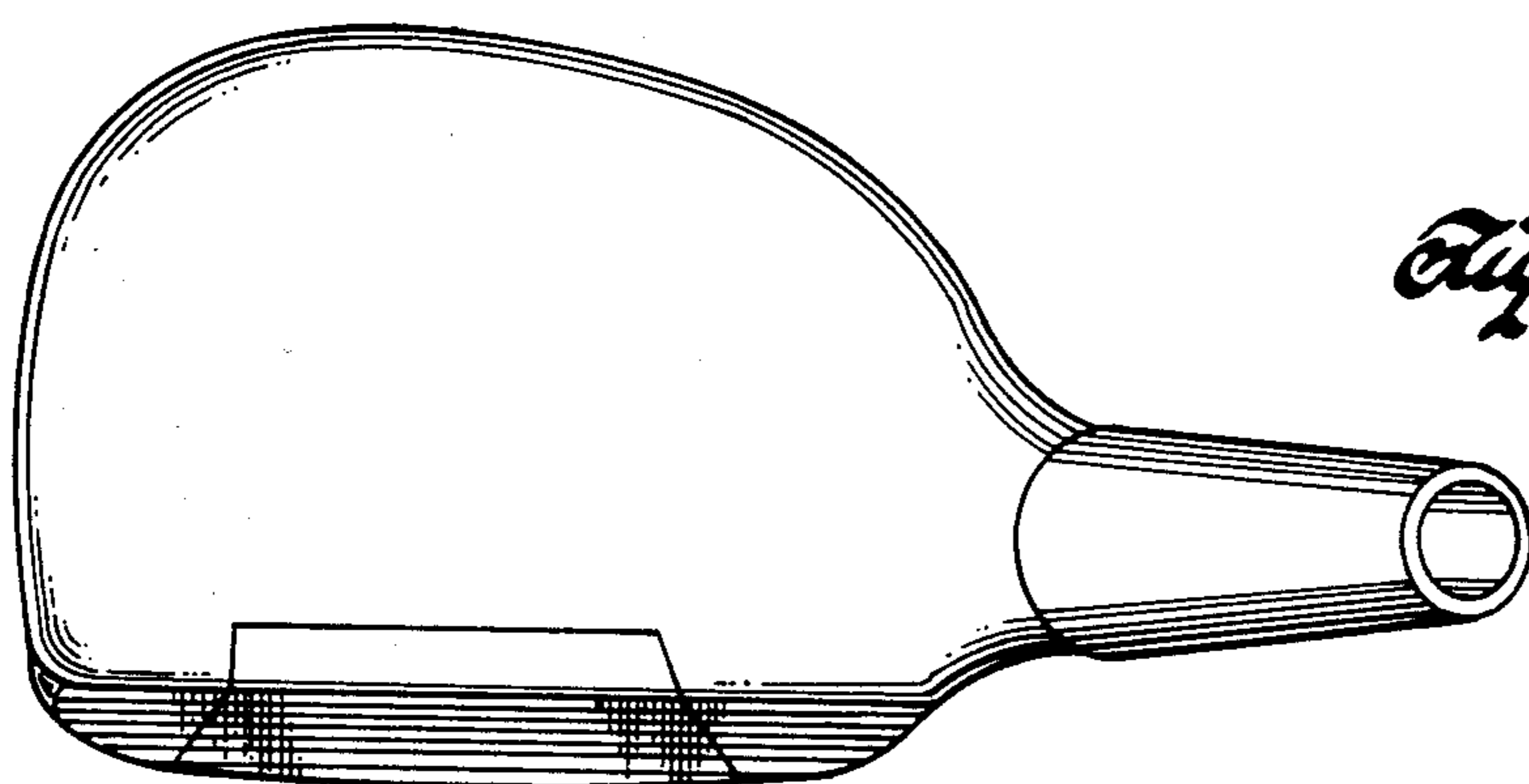
*Fig. 2*



*Fig. 3*

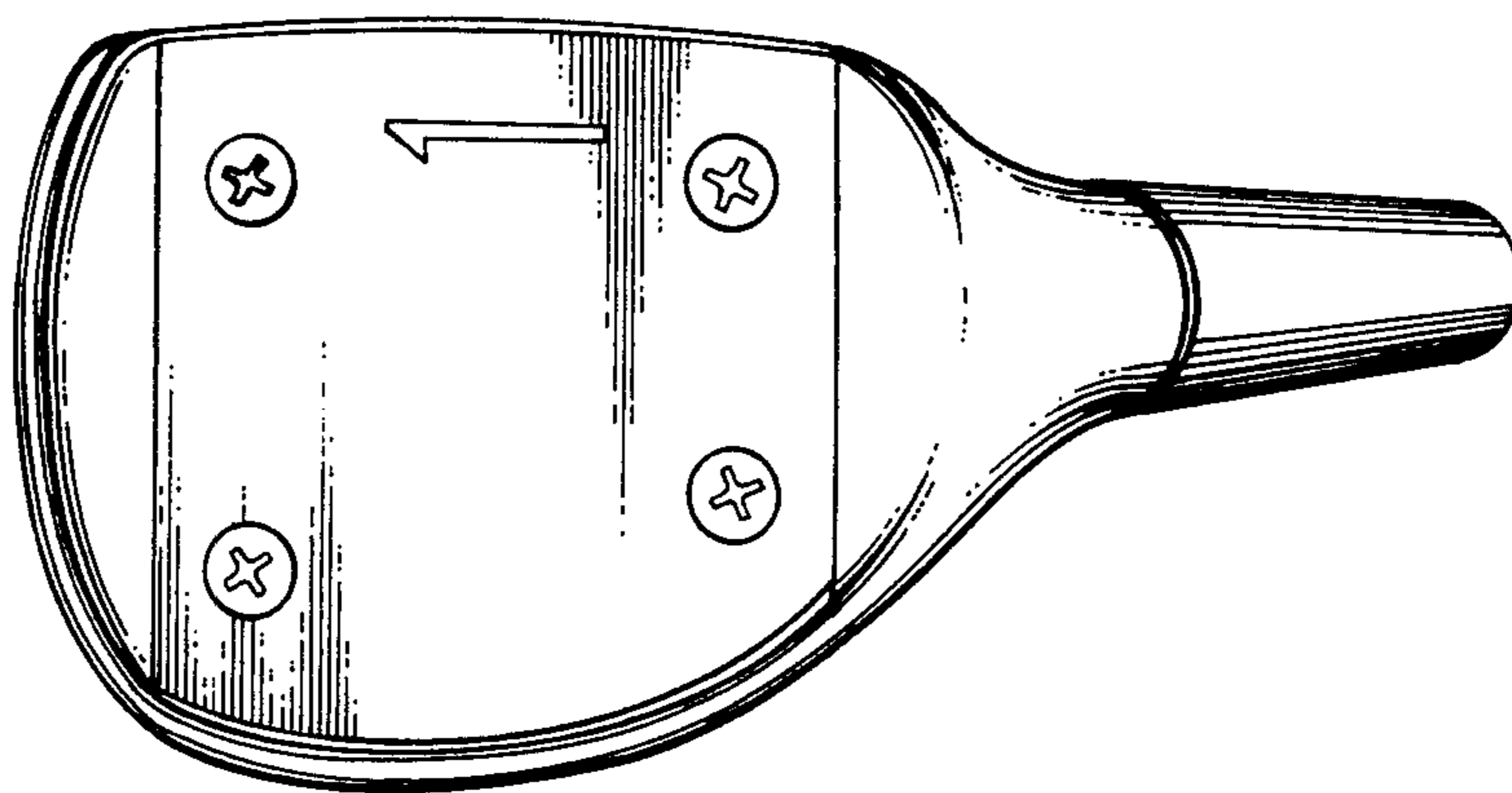


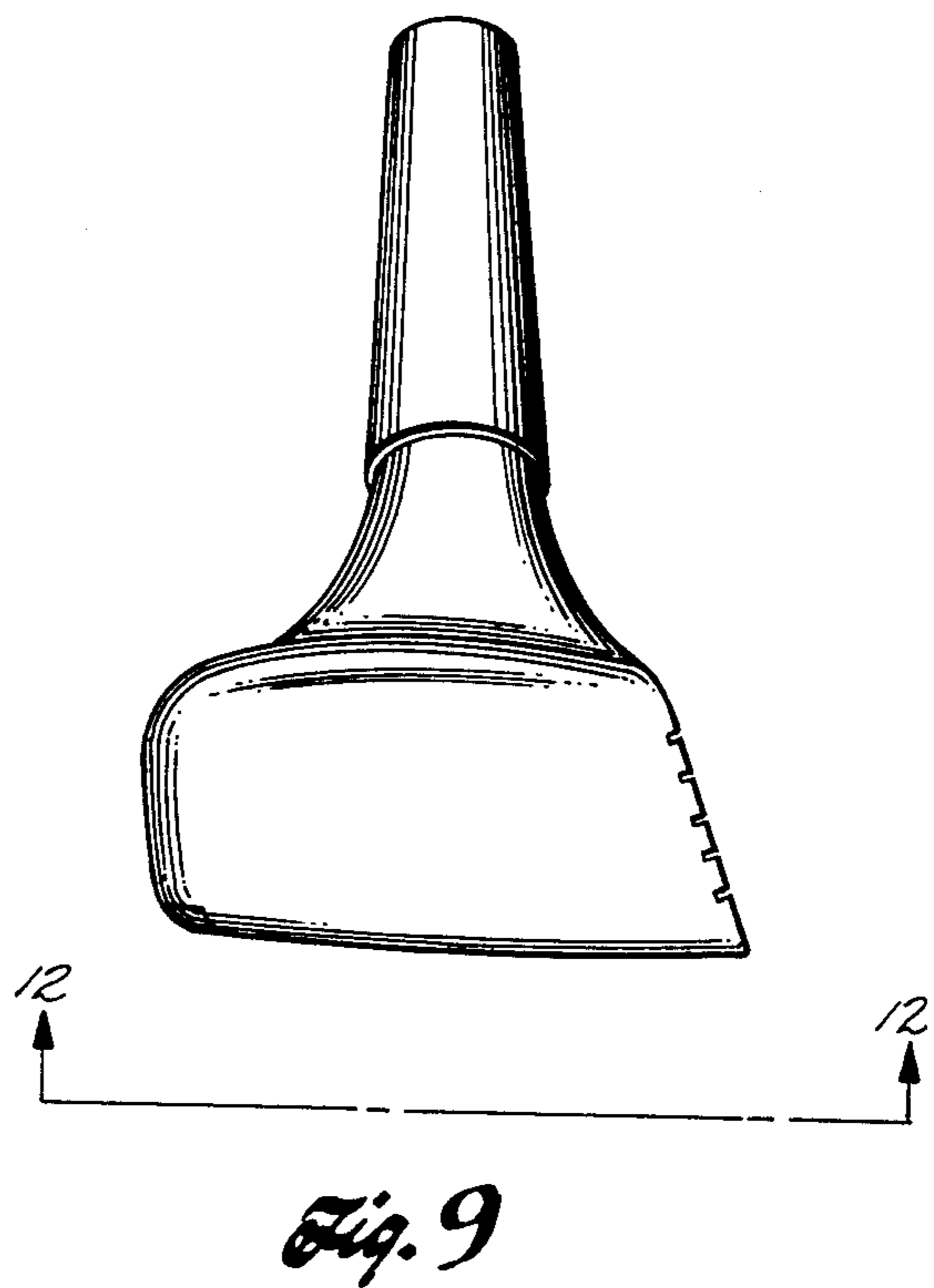
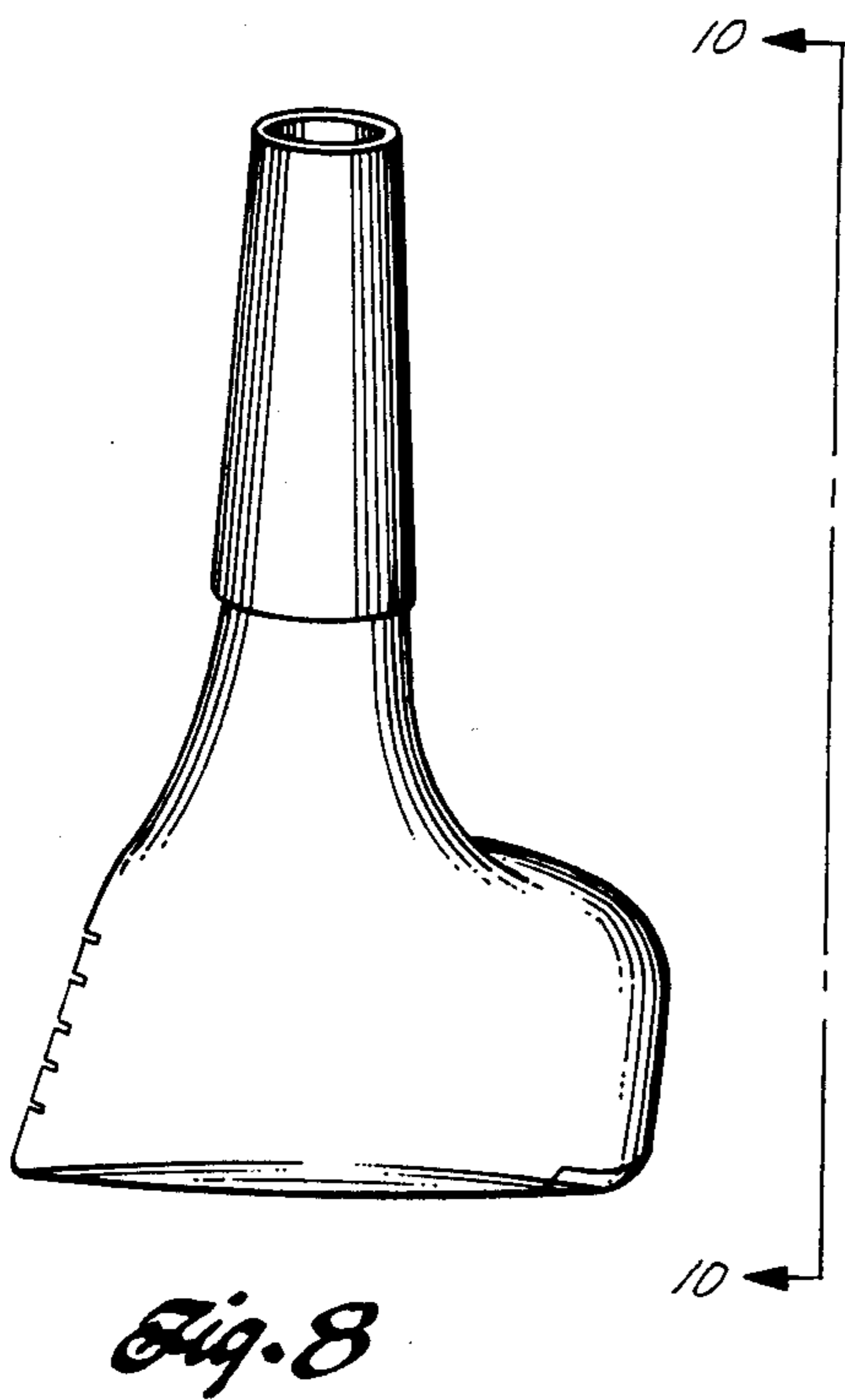
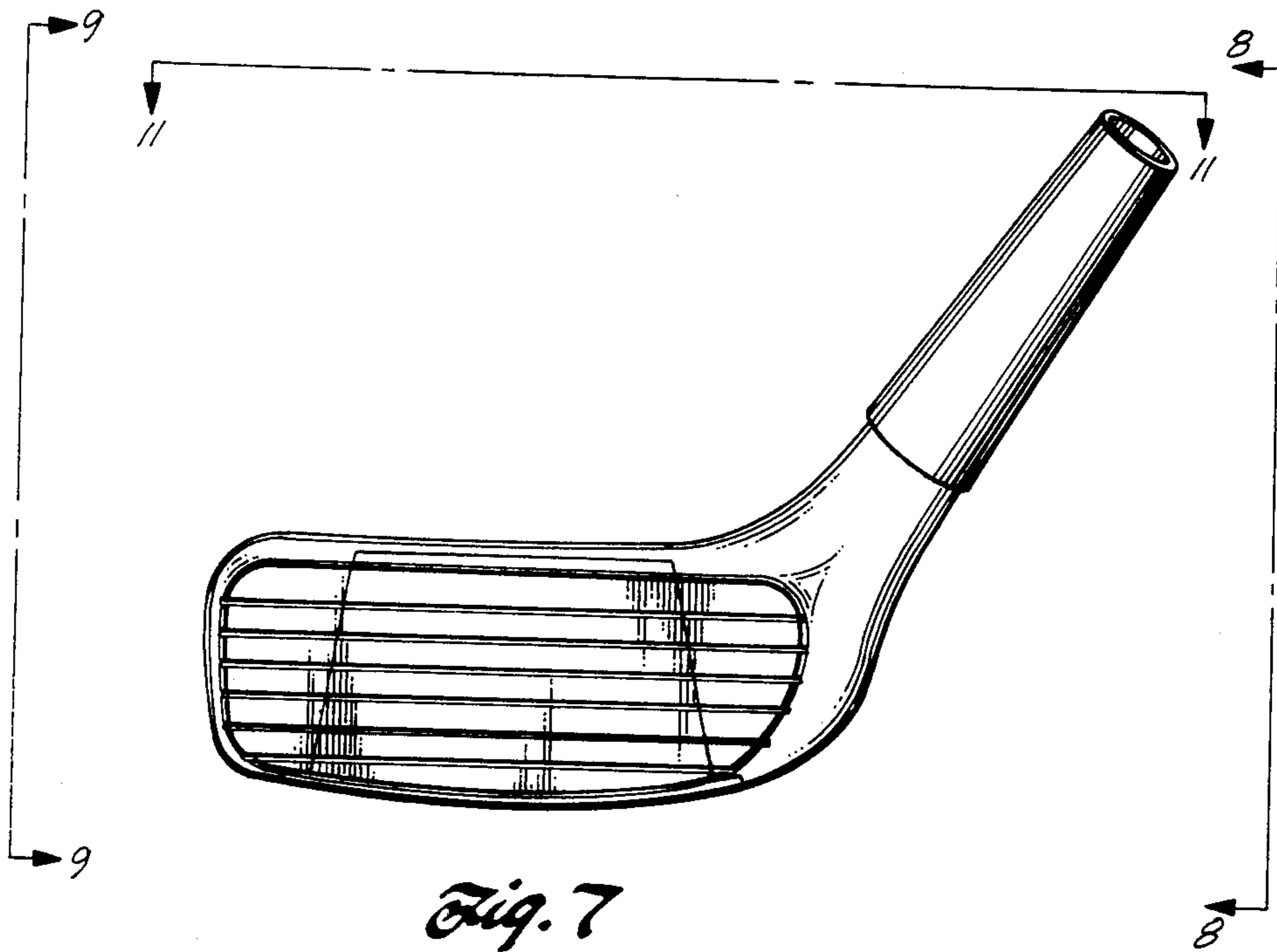
*Fig. 4*

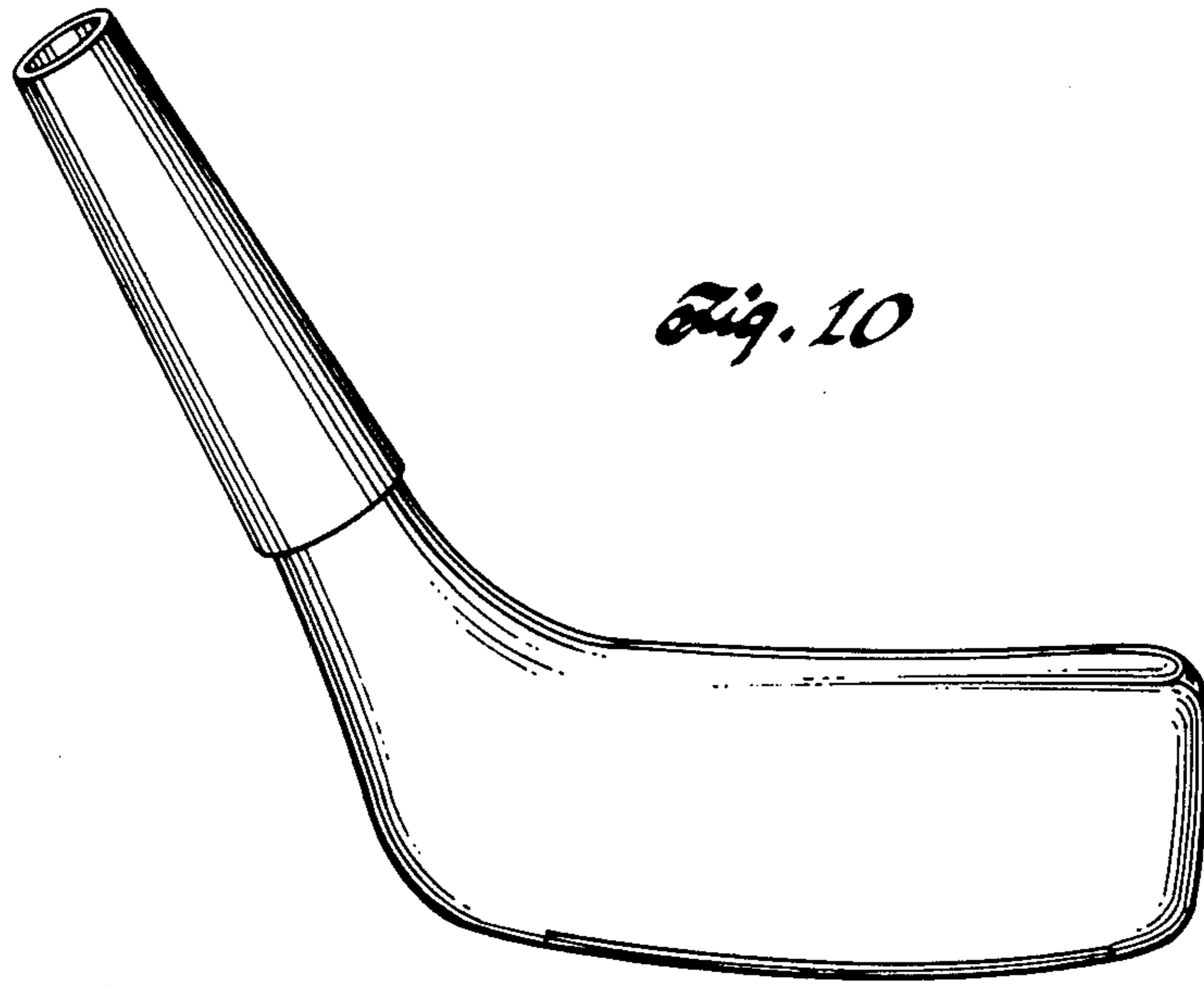


*Fig. 5*

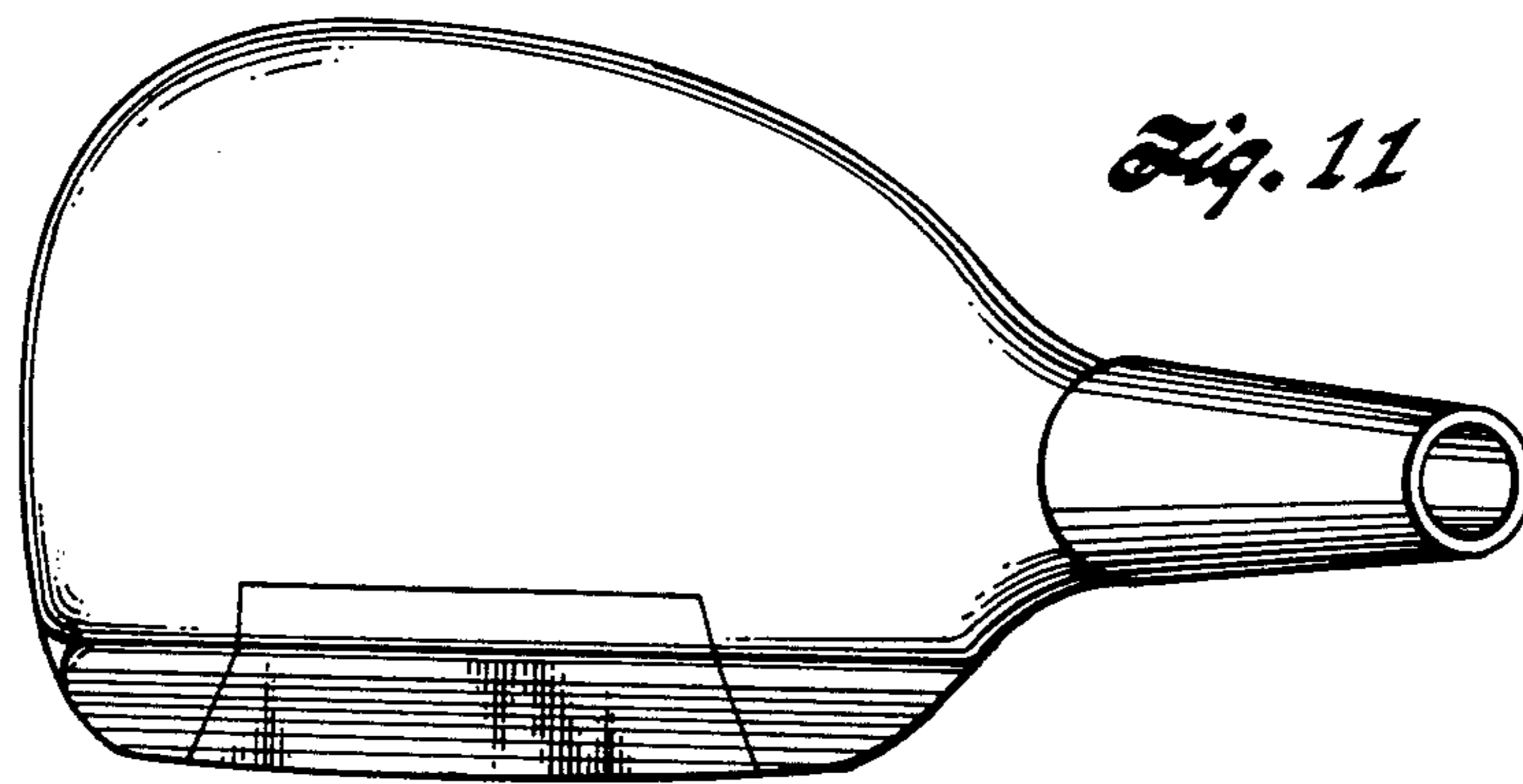
*Fig. 6*



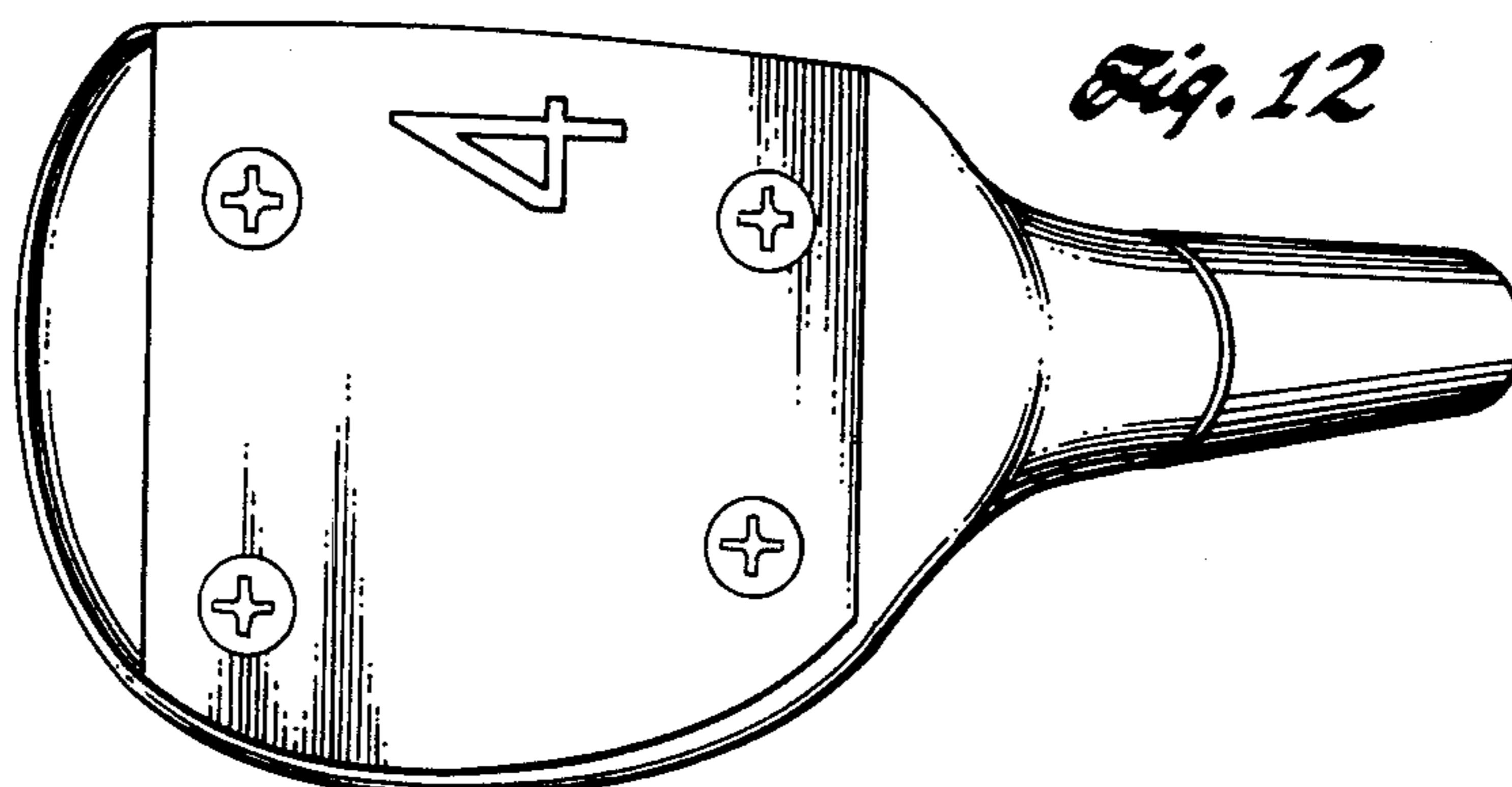




*Fig. 10*



*Fig. 11*



*Fig. 12*