

United States Patent [19]

Burgess et al.

[11] **Des. 245,357**

[45] **** Aug. 9, 1977**

[54] **SAND OR WATER PLAY DRUM**

[75] Inventors: **Kenneth Peter Burgess, Kew Surrey;**
Timothy Sefton Elsdale, London,
both of England

[73] Assignee: **WCB Containers Limited**

[**] Term: **14 Years**

[21] Appl. No.: **605,898**

[22] Filed: **Aug. 19, 1975**

[51] Int. Cl. **D21-03**

[52] U.S. Cl. **D34/5 F**

[58] Field of Search **D34/5 F; D25/2; 4/172**

[56]

References Cited

U.S. PATENT DOCUMENTS

2,886,828	5/1959	Lattuca	4/172
3,631,544	1/1972	Tytel	4/172

Primary Examiner—Melvin B. Feifer

Attorney, Agent, or Firm—Thomas B. Van Poole

[57]

CLAIM

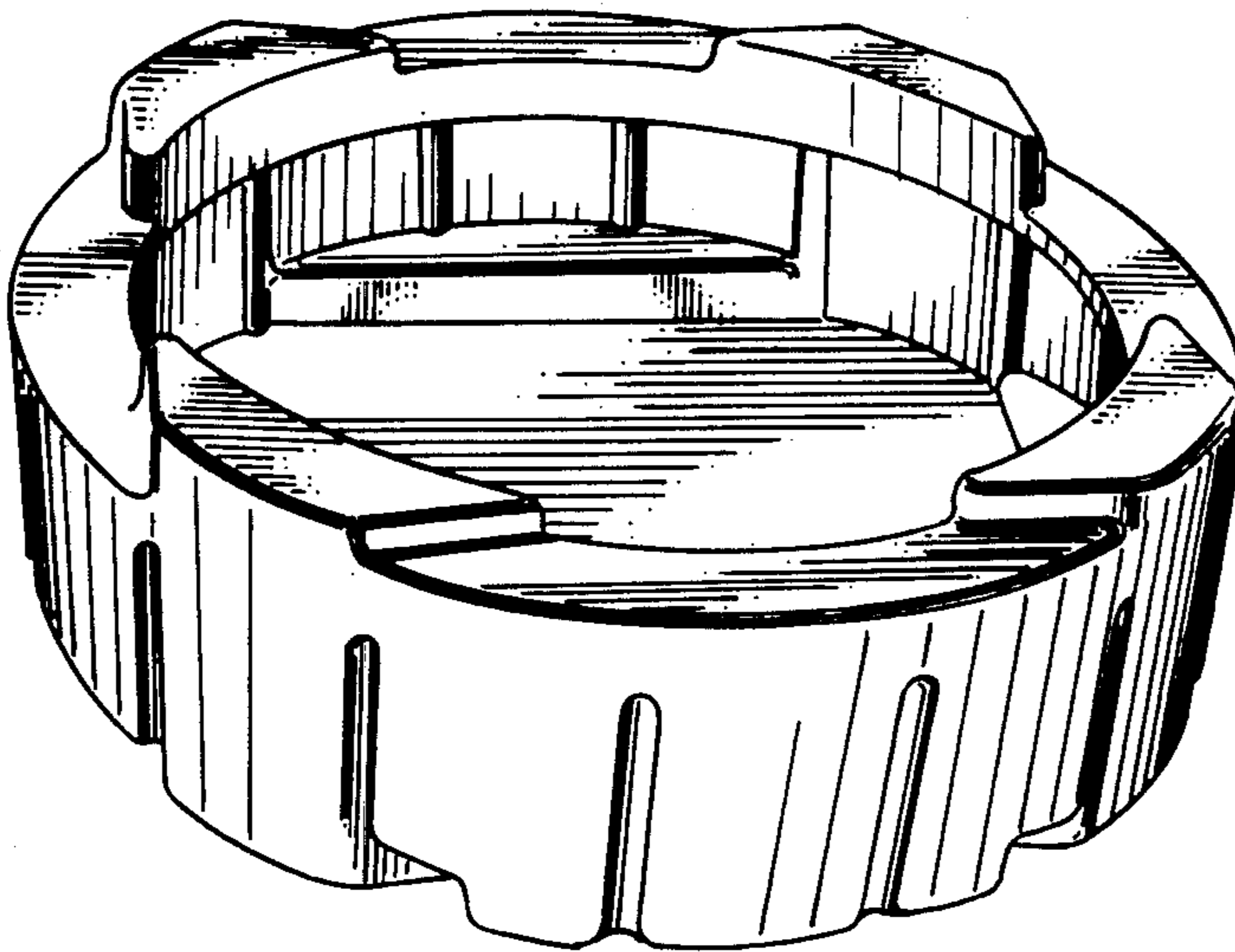
The ornamental design for a sand or water play drum, as shown and described.

DESCRIPTION

FIG. 1 is a top perspective view from above and one side of the sand or water play drum embodying my new design.

FIG. 2 is a bottom perspective view from below and the other side thereof.

FIG. 3 is a side view thereof (the view from the other side is the same).



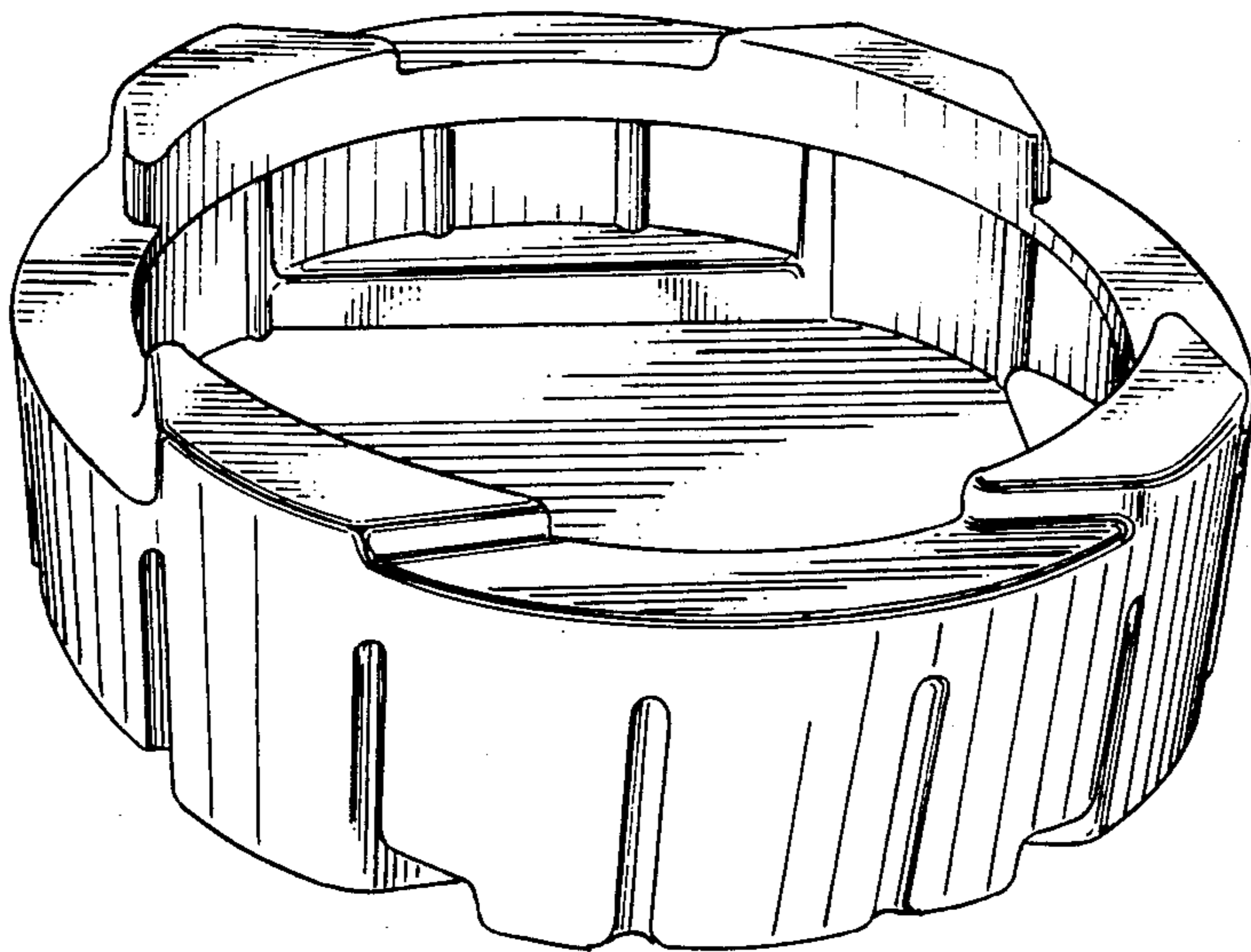


Fig. 1

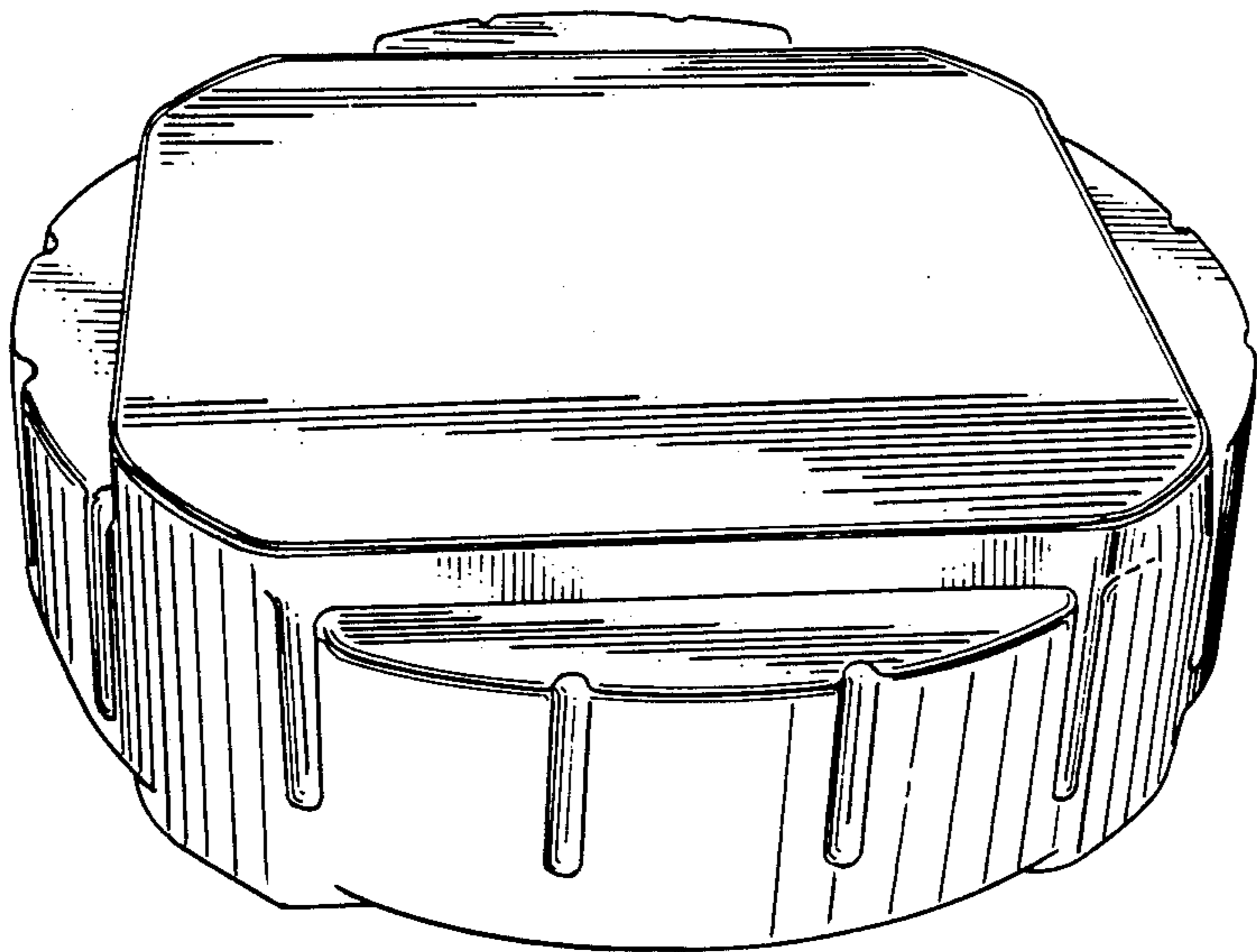


Fig. 2

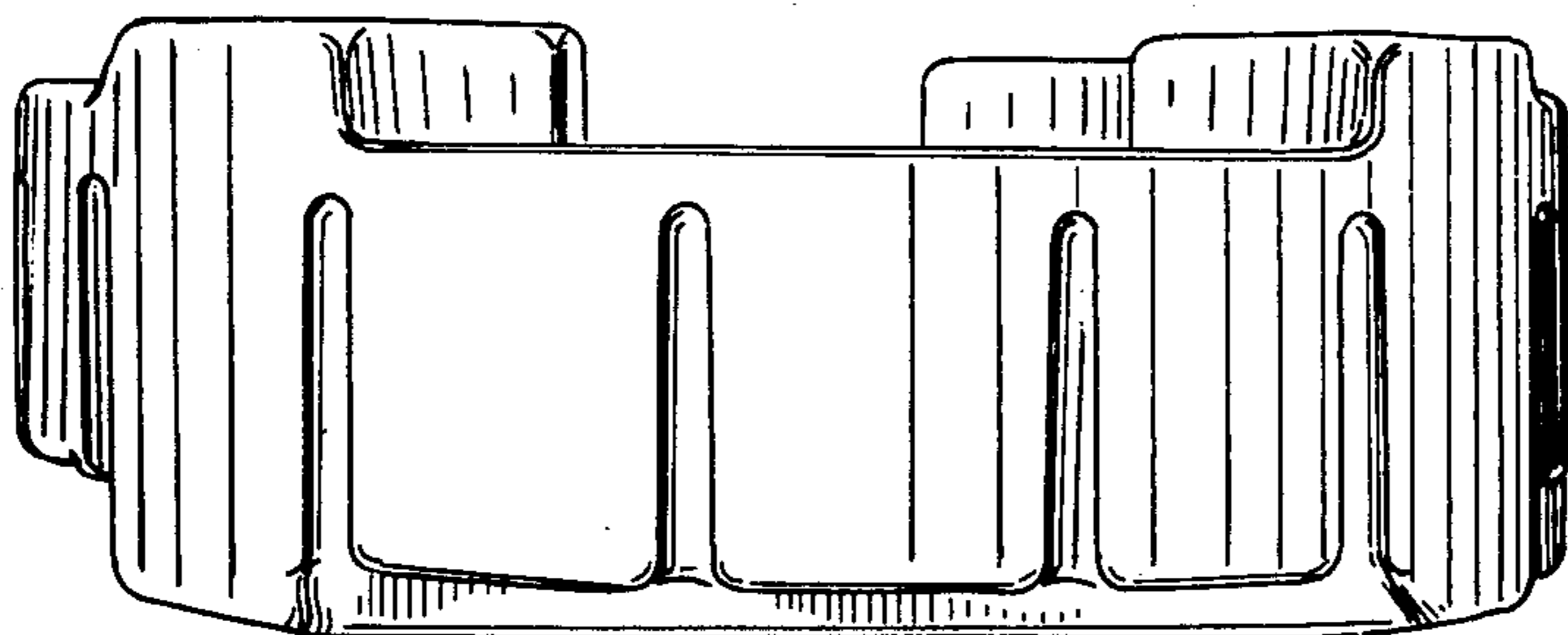


Fig. 3