

United States Patent [19]

Yamagata

[11] **Des. 245,355**

[45] **** Aug. 9, 1977**

- [54] **POCKET RACING GAME BOX**
- [75] Inventor: **Arisuke Yamagata, Tokyo, Japan**
- [73] Assignee: **Tomy Kogyo Co., Inc., Tokyo, Japan**
- [**] Term: **14 Years**
- [21] Appl. No.: **604,315**
- [22] Filed: **Aug. 13, 1975**
- [51] Int. Cl. **D21-01**
- [52] U.S. Cl. **D34/5 CC**
- [58] Field of Search **D34/5 CC, 5 JJ;**
273/86 B, 86 H

2,551,806 5/1951 McKeever 273/86 B
3,326,555 6/1967 Warren 273/86 H

Primary Examiner—Melvin B. Feifer
Attorney, Agent, or Firm—James D. Halsey, Jr.

[57] **CLAIM**

The ornamental design for a pocket racing game box, as shown and described.

DESCRIPTION

FIG. 1 is a top plan view of a pocket racing game box showing my new design.

FIG. 2 is a front elevational view thereof;

FIG. 3 is a rear elevational view thereof;

FIG. 4 is a right side elevational view thereof; and

FIG. 5 is a left side elevational view thereof.

FIG. 6 is a perspective view thereof.

It is noted that the bottom is flat.

[56] **References Cited**

U.S. PATENT DOCUMENTS

2,057,888 10/1936 Erickson 273/86 H

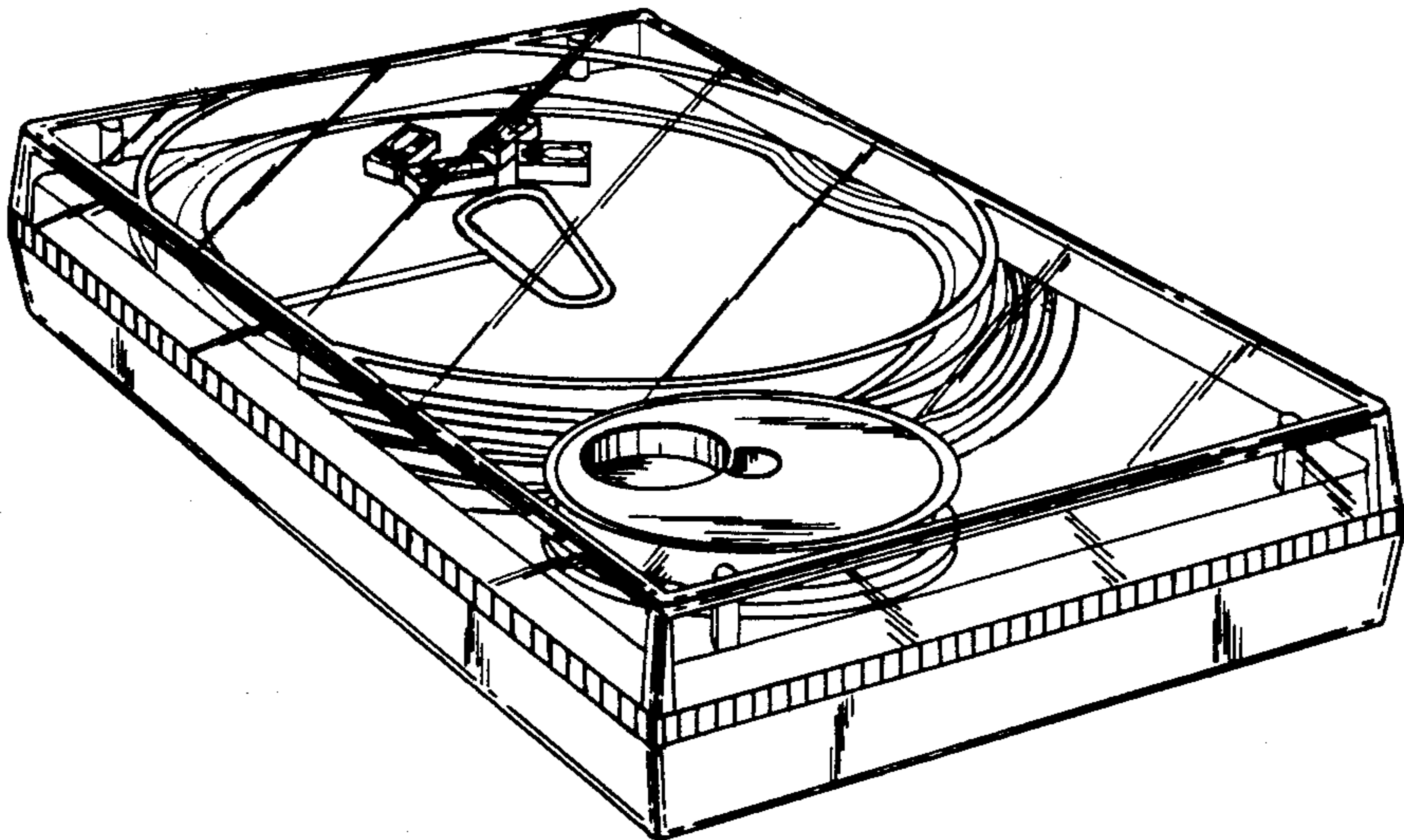


FIG. 1

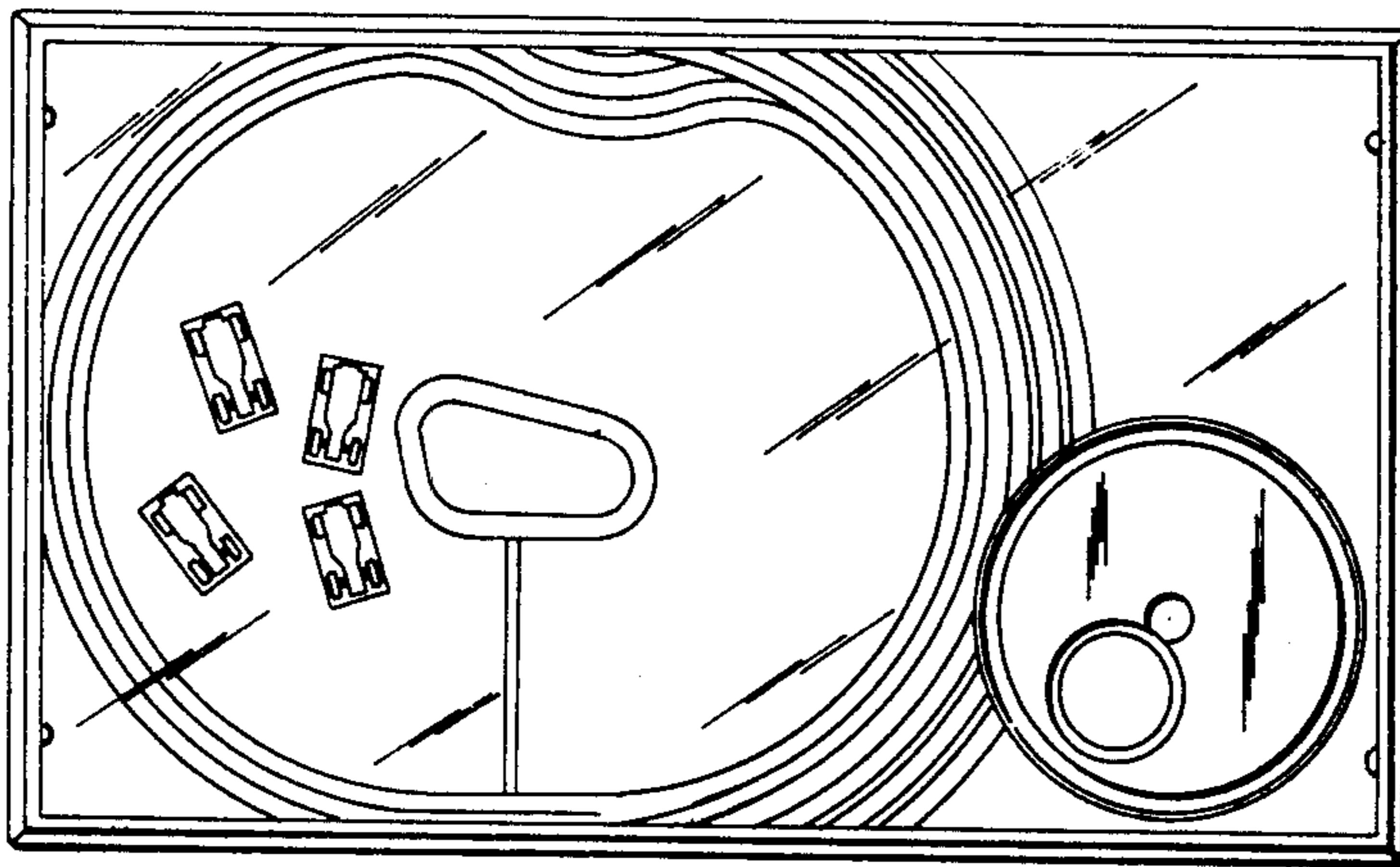


FIG. 2

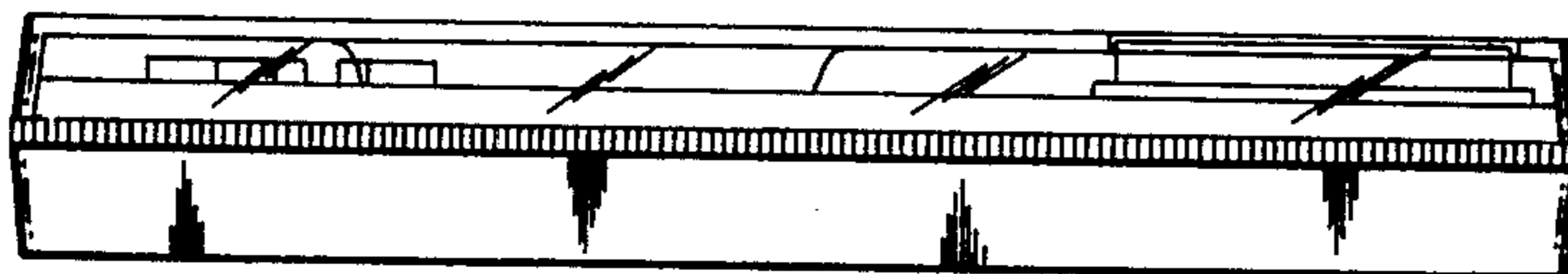


FIG. 3

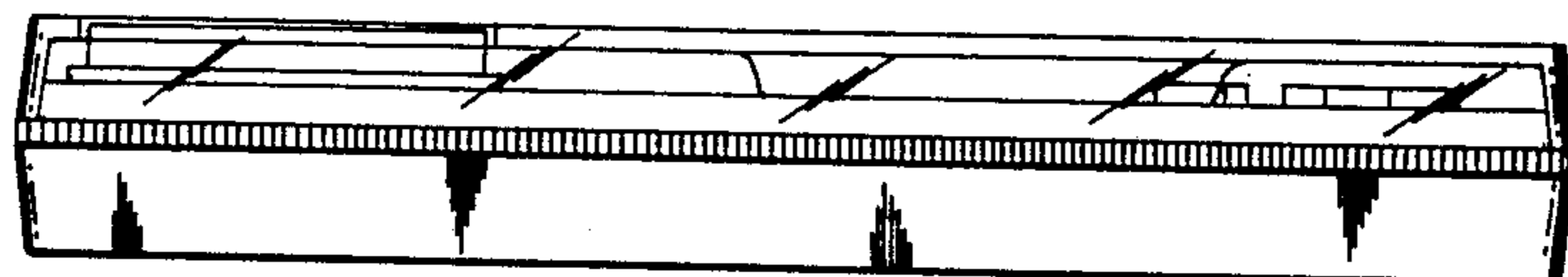


FIG. 4

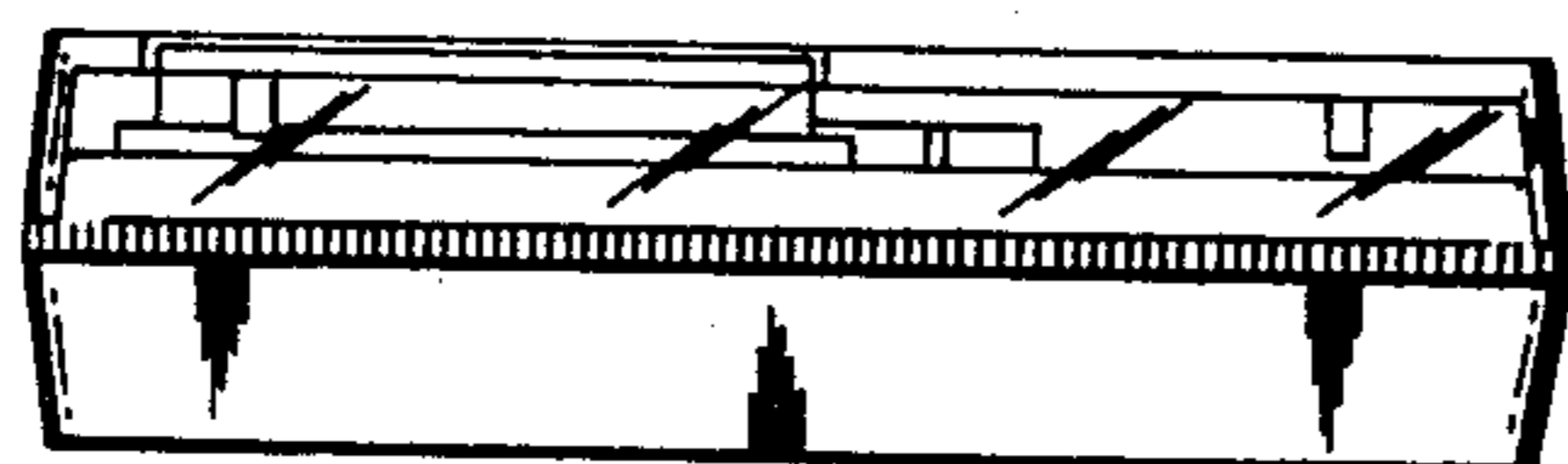
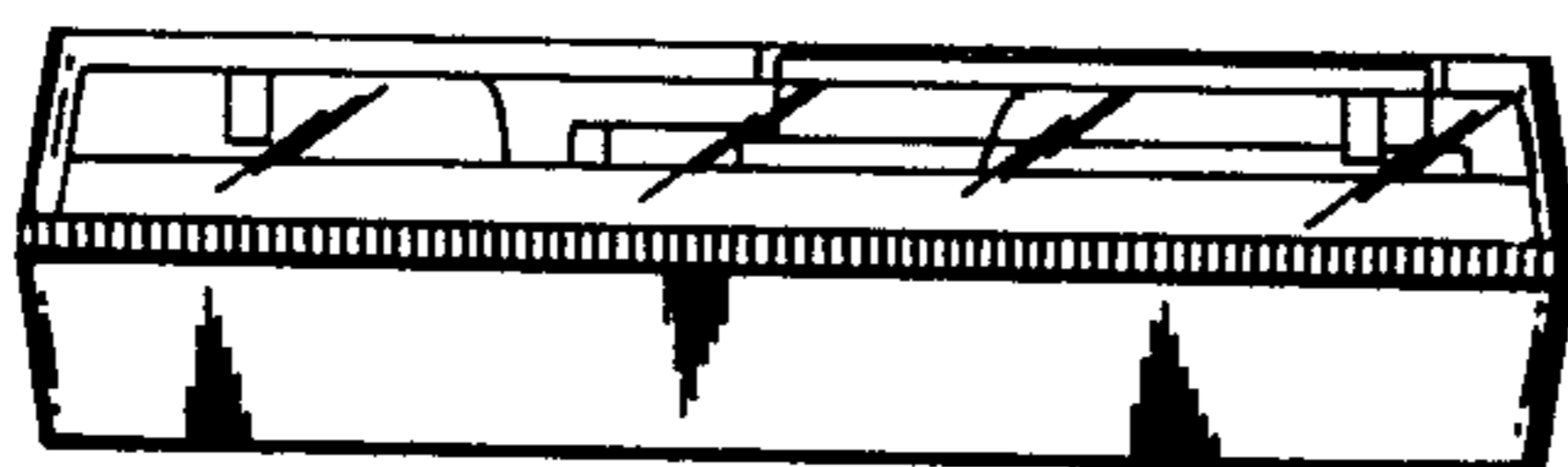


FIG. 5



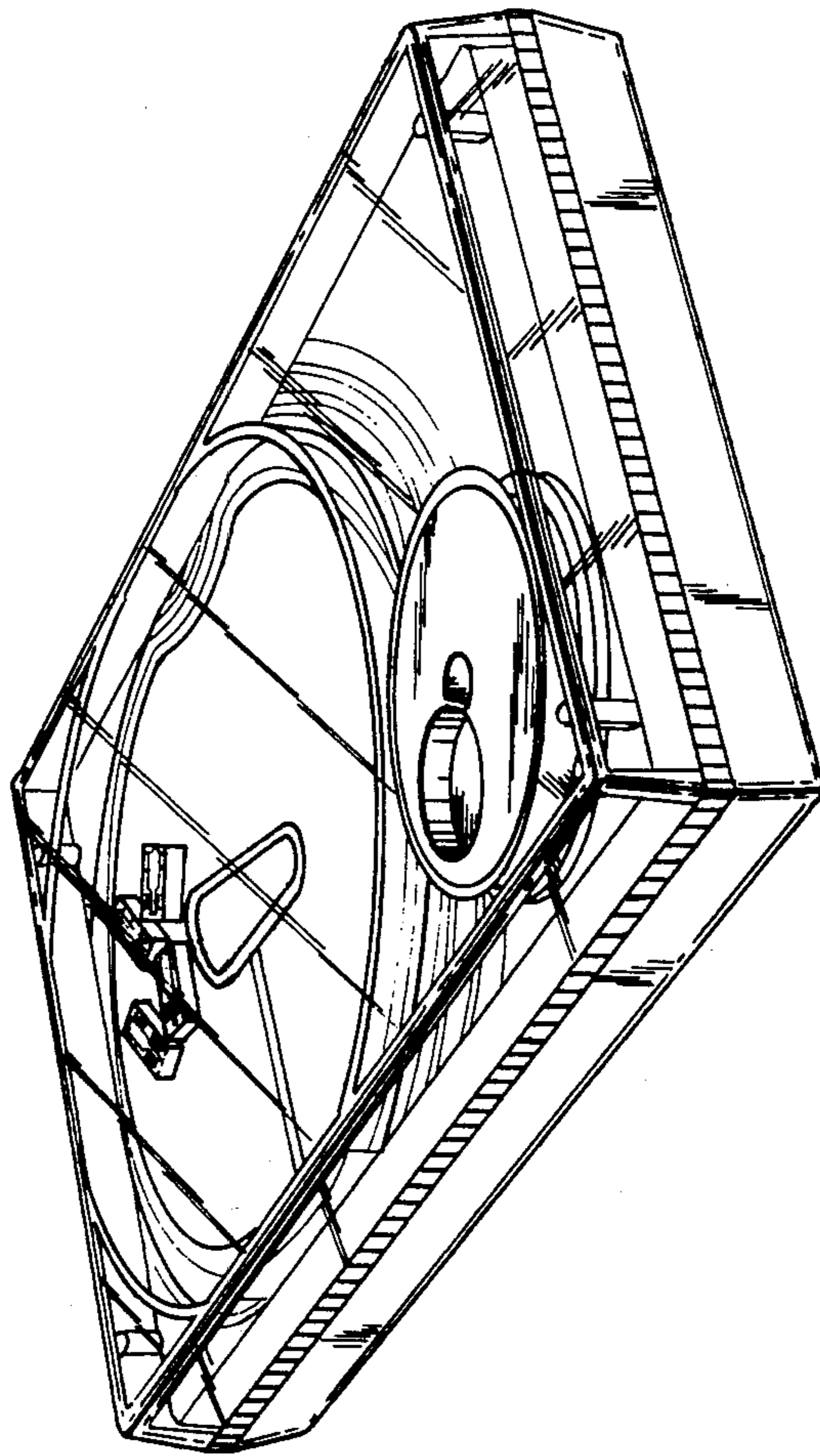


FIG. 6