

[54] SMOKING PIPE OR SIMILAR ARTICLE

[76] Inventor: Richard W. Kahler, Rte. 1, Box 61, Rock Cave, W. Va. 26234

[**] Term: 14 Years

[21] Appl. No.: 643,753

[22] Filed: Dec. 23, 1975

[51] Int. Cl. D27-02

[52] U.S. Cl. D27/3

[58] Field of Search D27/2-5, D27/7, 51; D32/1 R; 131/170 R, 170 A, 173, 171 R, 171 A, 178, 186, 187, 200

[56] References Cited

U.S. PATENT DOCUMENTS

214,586 4/1879 Riedel 131/173

3,882,875 5/1975 Frost D27/3 X
3,918,464 11/1975 Kolodziej 131/173
D. 231,640 5/1974 Kahler D27/3

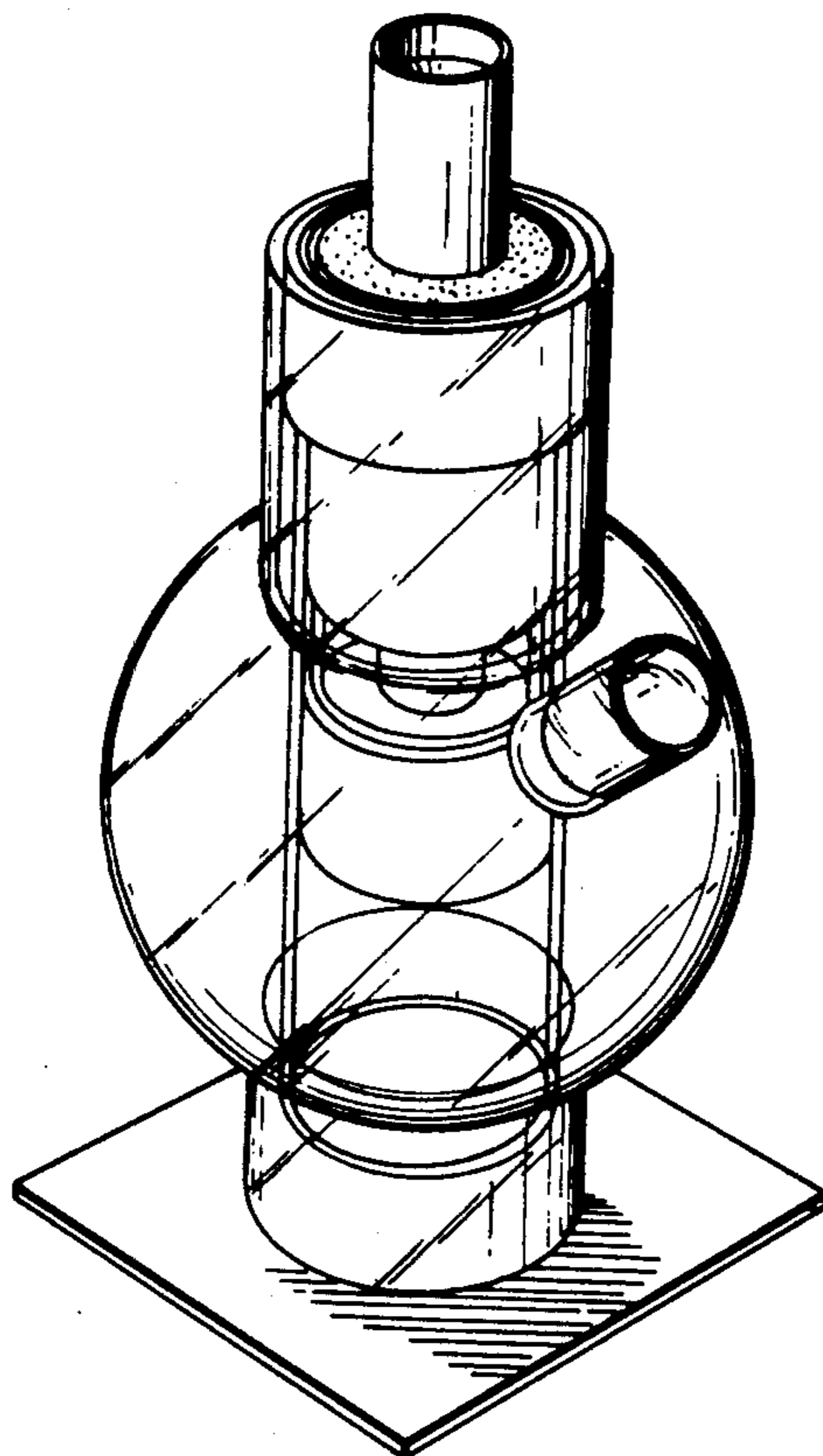
Primary Examiner—Joel Stearman
Assistant Examiner—Louis S. Zarfes
Attorney, Agent, or Firm—Stanley D. Schwartz

[57] CLAIM

The ornamental design for a smoking pipe or similar article, as shown and described.

DESCRIPTION

FIG. 1 is a perspective view of a smoking pipe or similar article showing my new design;
FIG. 2 is a top plan view thereof;
FIG. 3 is a bottom plan view thereof;
FIG. 4 is a front elevational view thereof;
FIG. 5 is a left side elevational view thereof; and
FIG. 6 is a rear elevational view thereof.



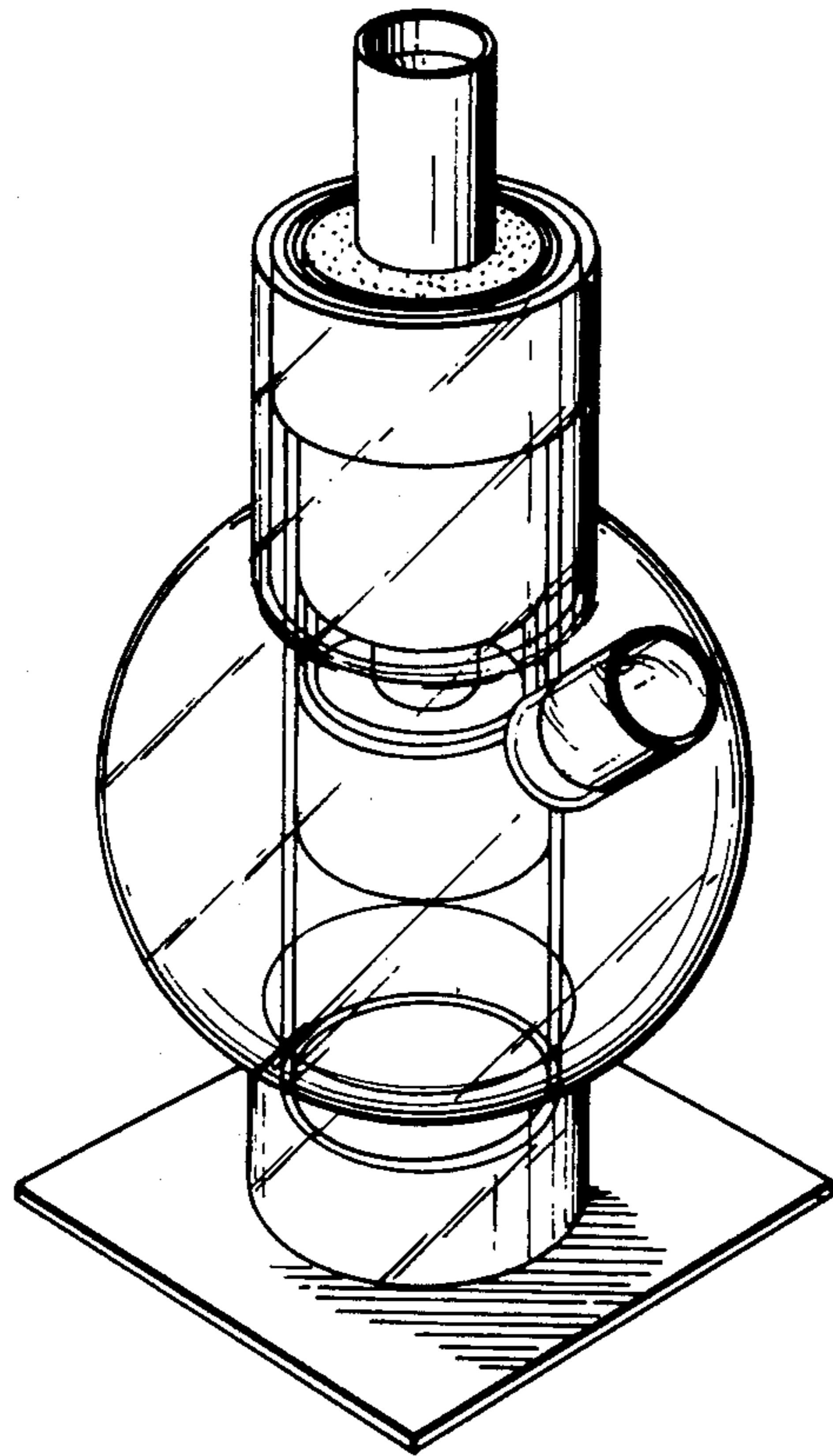


FIG. 1

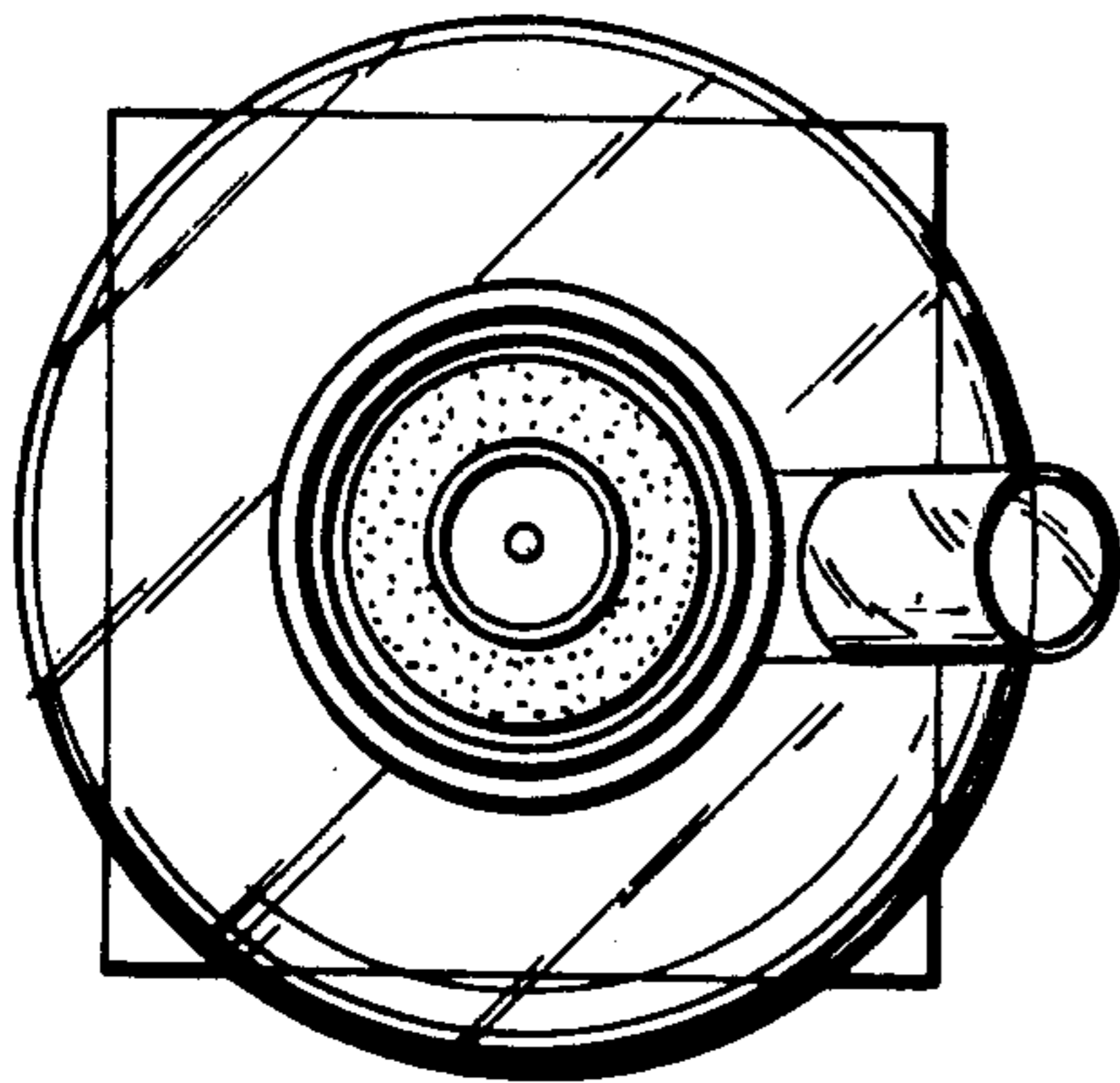


FIG. 2

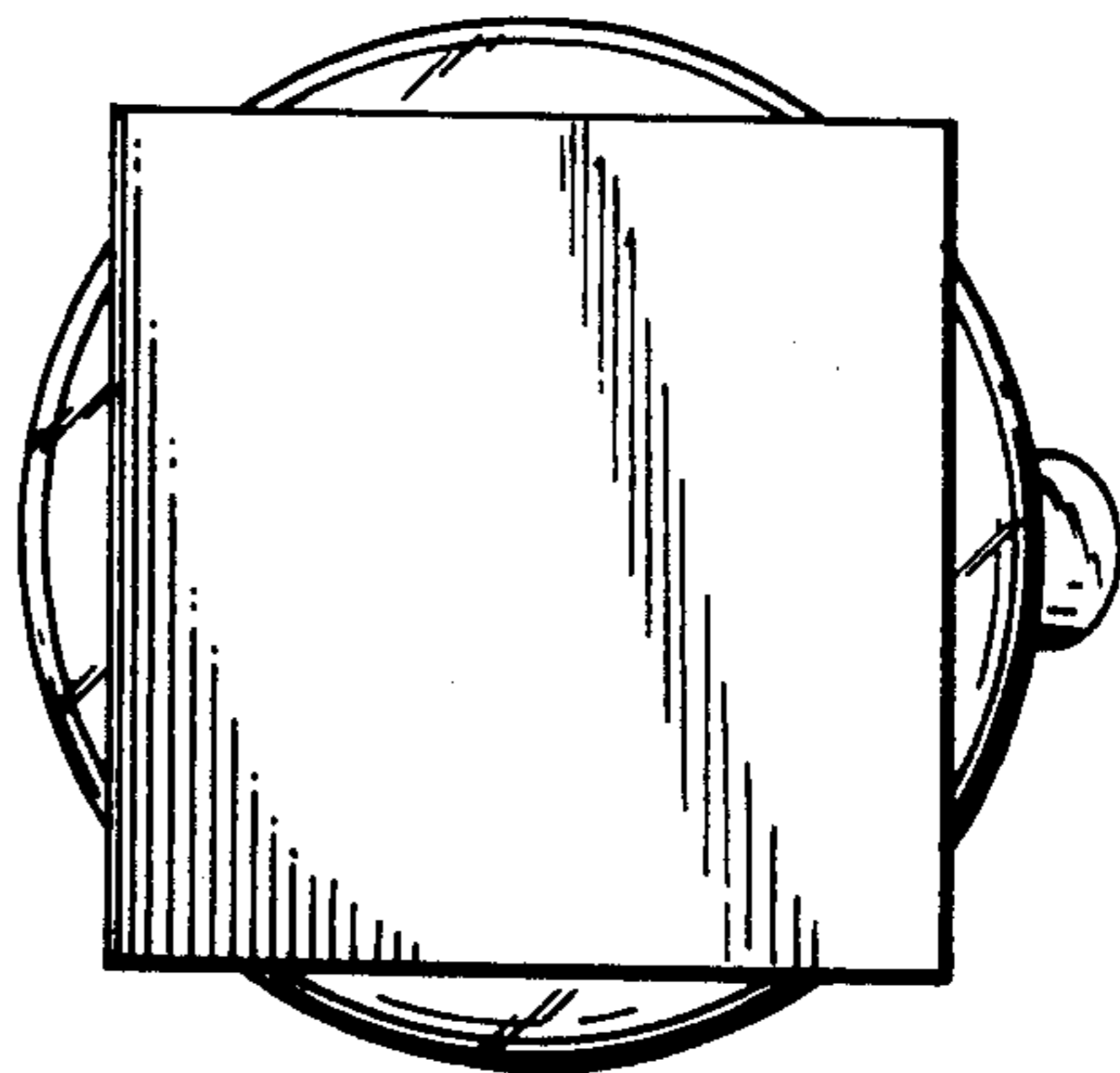


FIG. 3

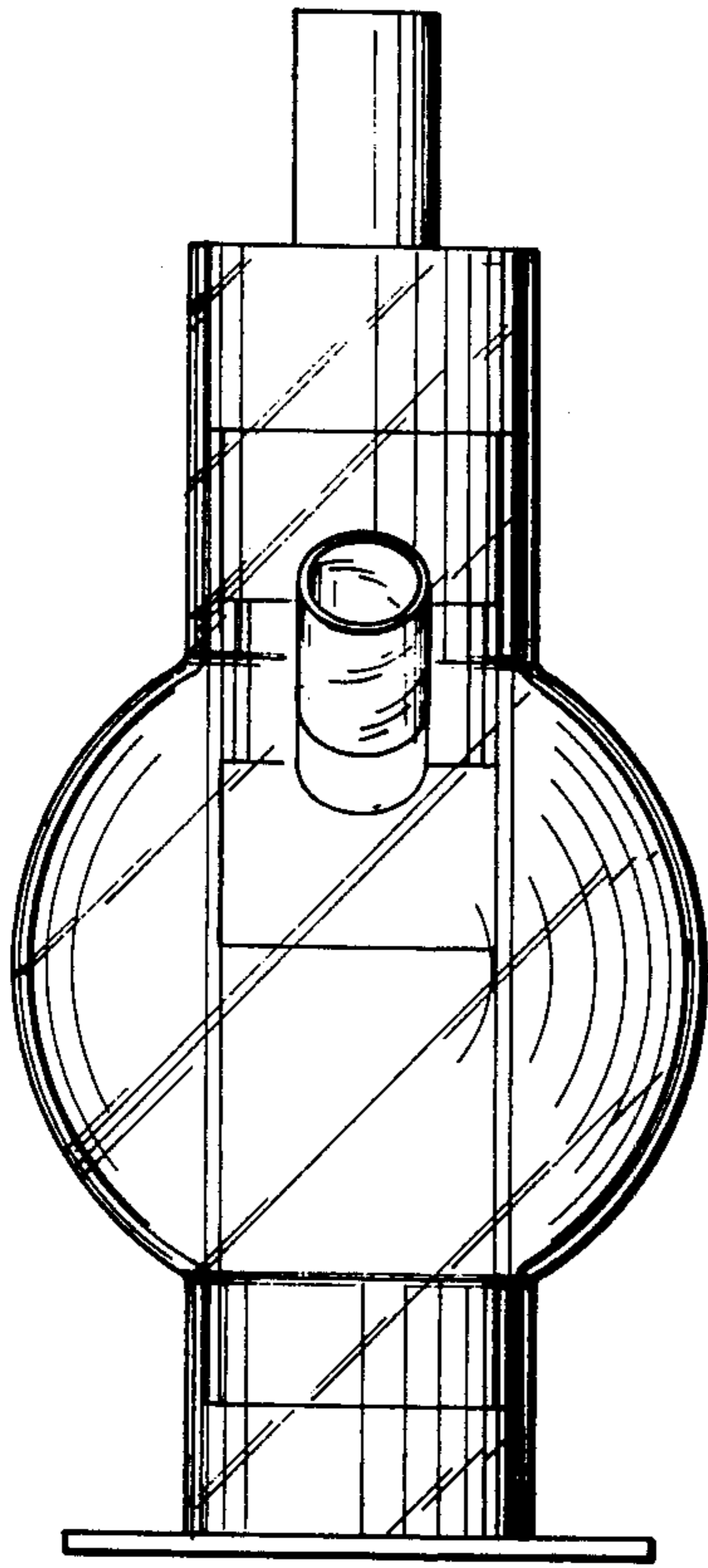


FIG. 4

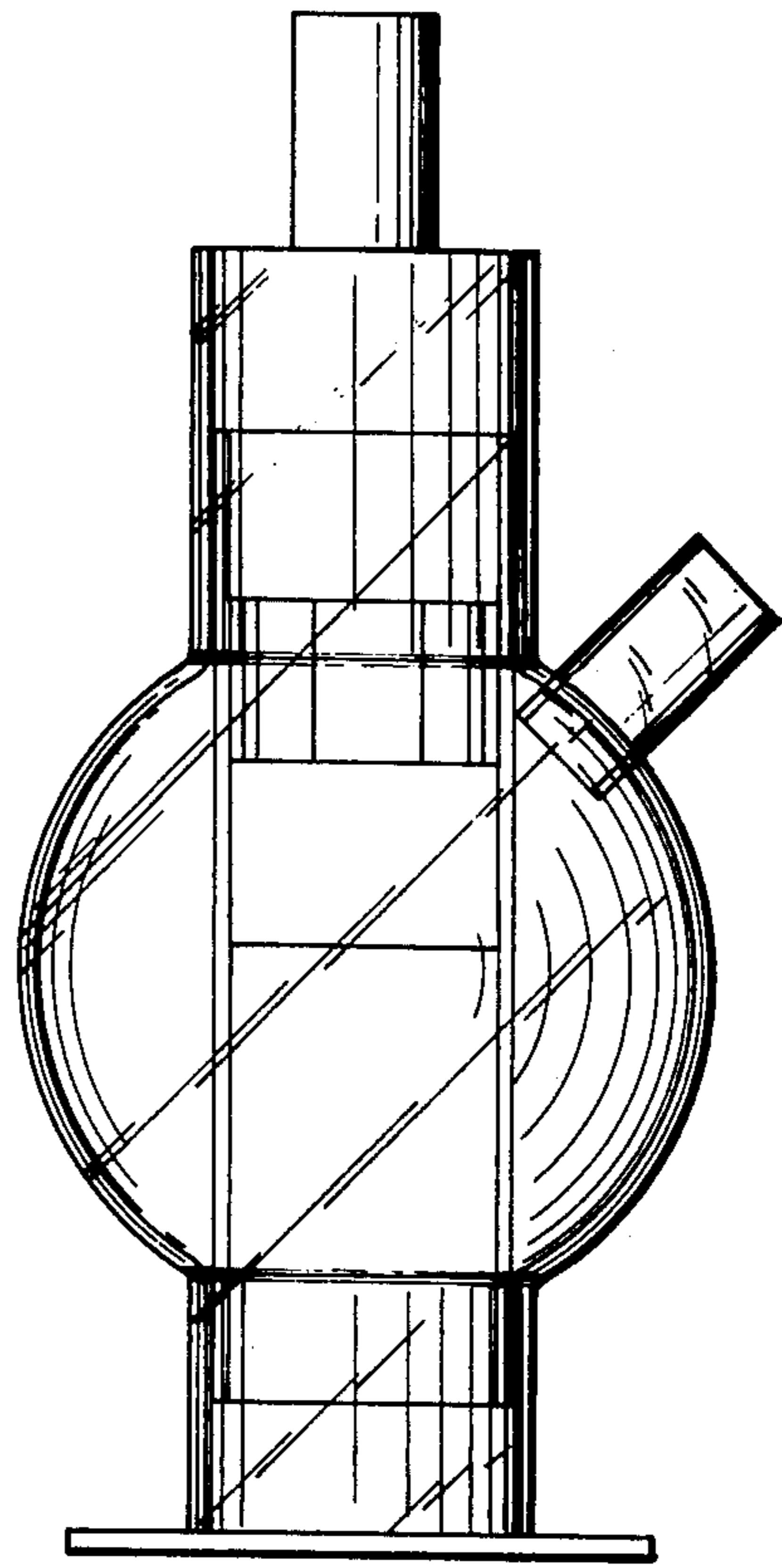


FIG. 5

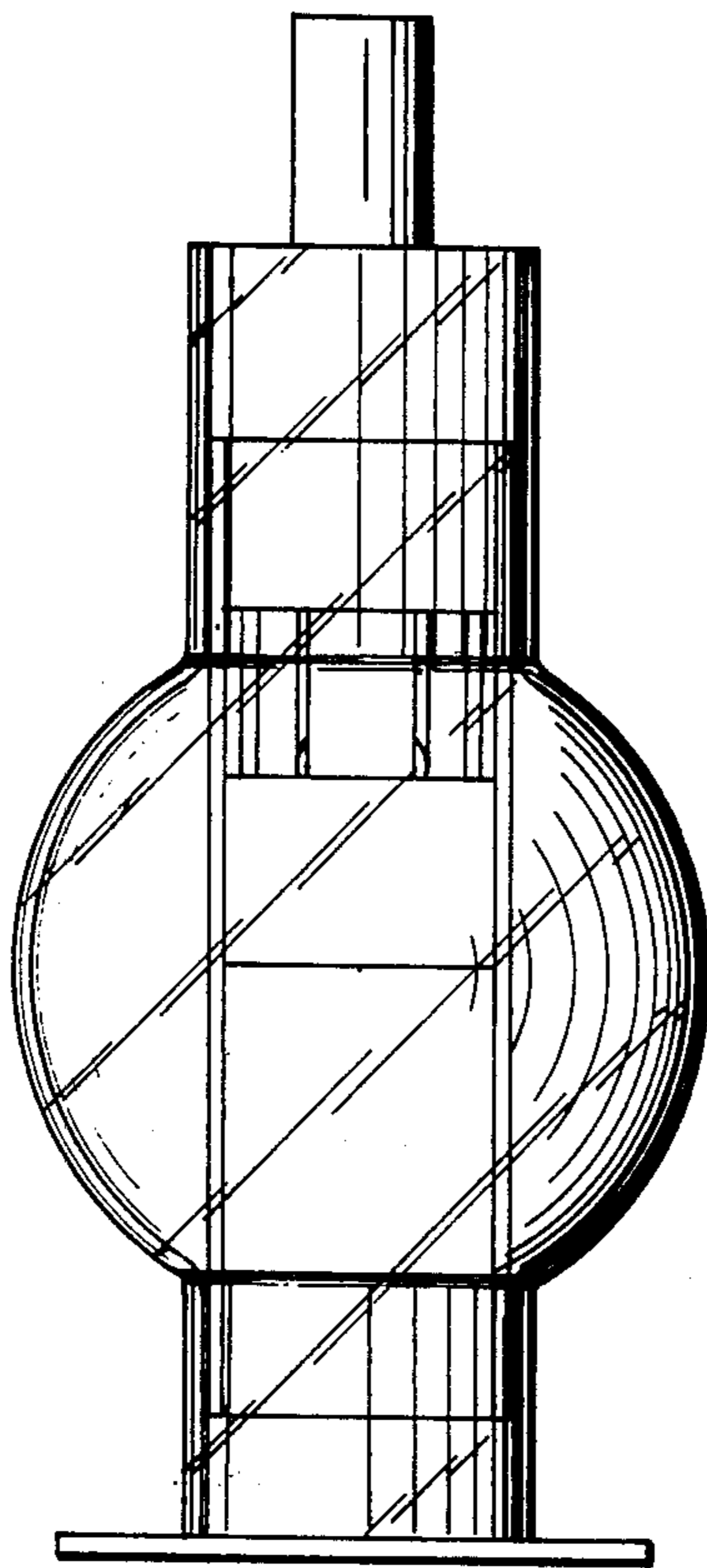


FIG. 6