

[54] DISPLAY DEVICE FOR A COMPUTER

[75] Inventor: Reiji Takeuchi, Tokyo, Japan

[73] Assignee: Chuomusen Company, Ltd.,
Omorinishi, Japan

[**] Term: 14 Years

[21] Appl. No.: 616,705

[22] Filed: Sept. 25, 1975

[51] Int. Cl. D14-02

[52] U.S. Cl. D14/43

[58] Field of Search D26/5 R, 5 C; D64/11 R,
D64/11 B, 11 C

[56] References Cited

U.S. PATENT DOCUMENTS

D. 208,306 8/1967 Fossella D64/11 C
D. 235,068 5/1975 Burkhalter et al. D26/5 C

OTHER PUBLICATIONS

Merchandising Week, Apr. 2, 1973, pp. 26, 27, T.V. tube.

Merchandising Week, Mar. 5, 1973, p. 22, Model E1335.

Primary Examiner—Wallace R. Burke

Assistant Examiner—C. Nucker

Attorney, Agent, or Firm—Frank J. Jordan

[57] CLAIM

The ornamental design for a display device for a computer, as shown and described.

DESCRIPTION

FIG. 1 is a right hand view of a display device for a computer.

FIG. 2 is a left hand view thereof;

FIG. 3 is a front view thereof;

FIG. 4 is a rear view thereof;

FIG. 5 is a top view thereof; and

FIG. 6 is a bottom view thereof.

The components that would be seen through the hole at the bottom of FIG. 6 have been omitted for ease of illustration.

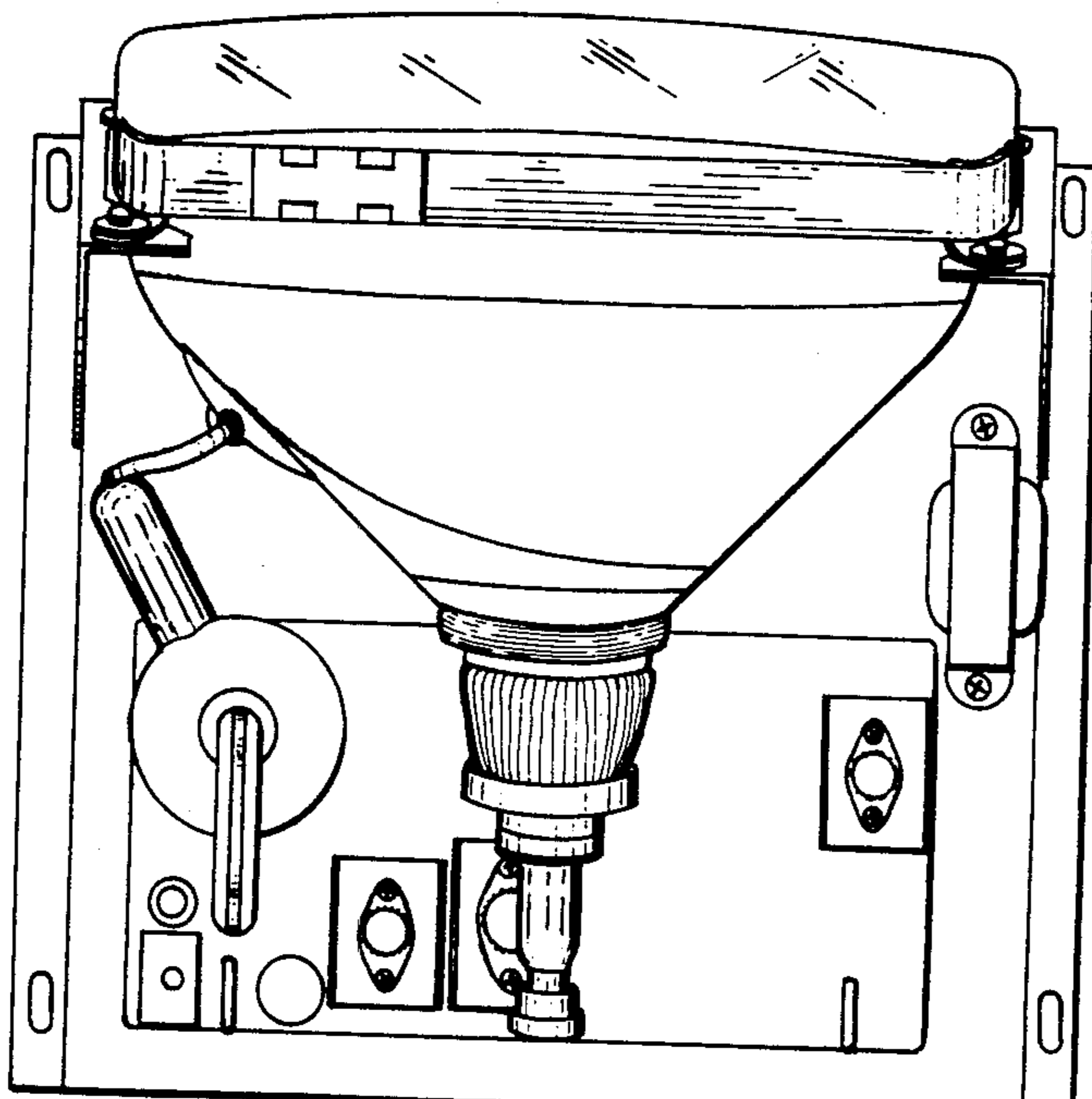
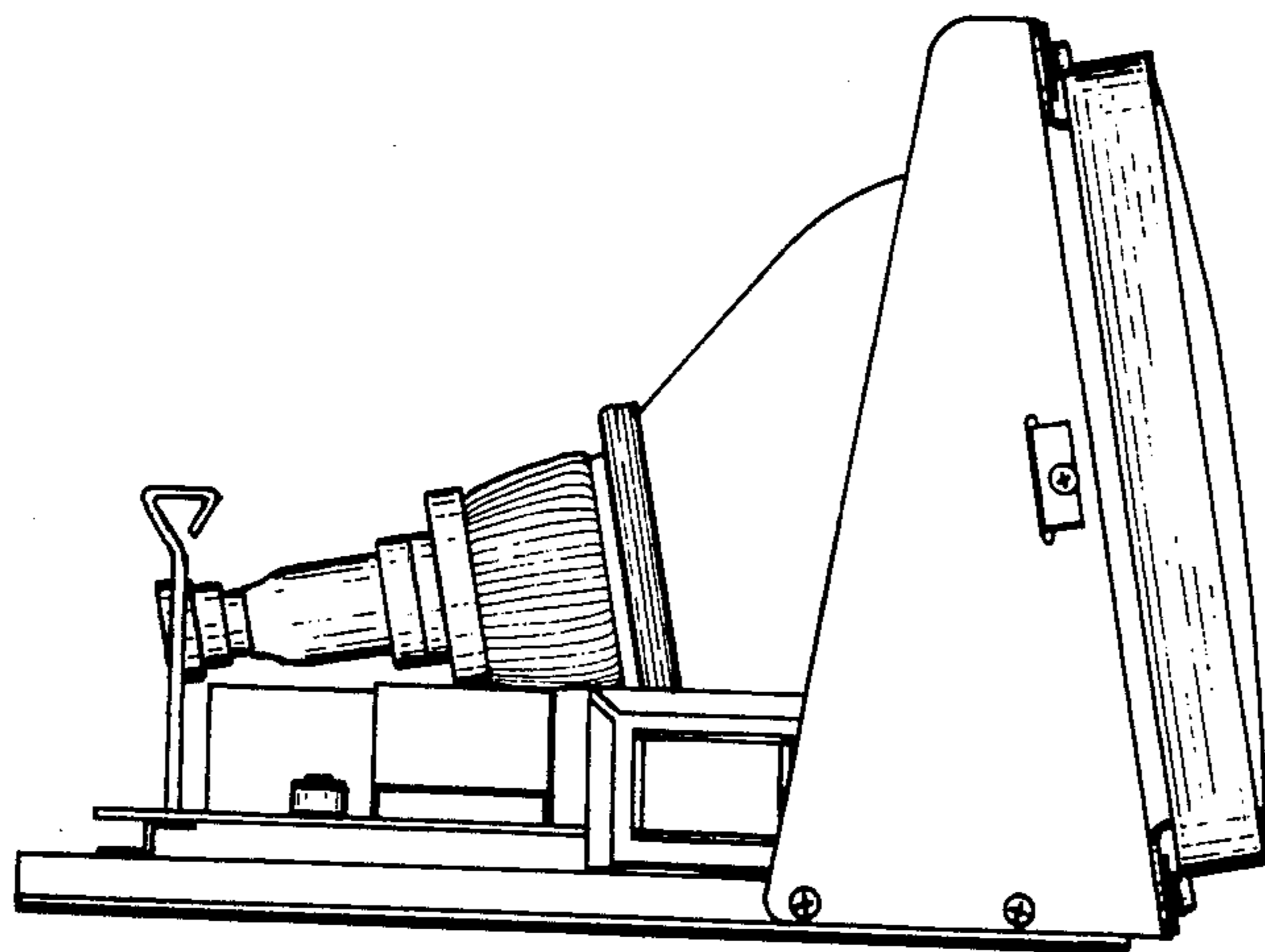


FIG. 1

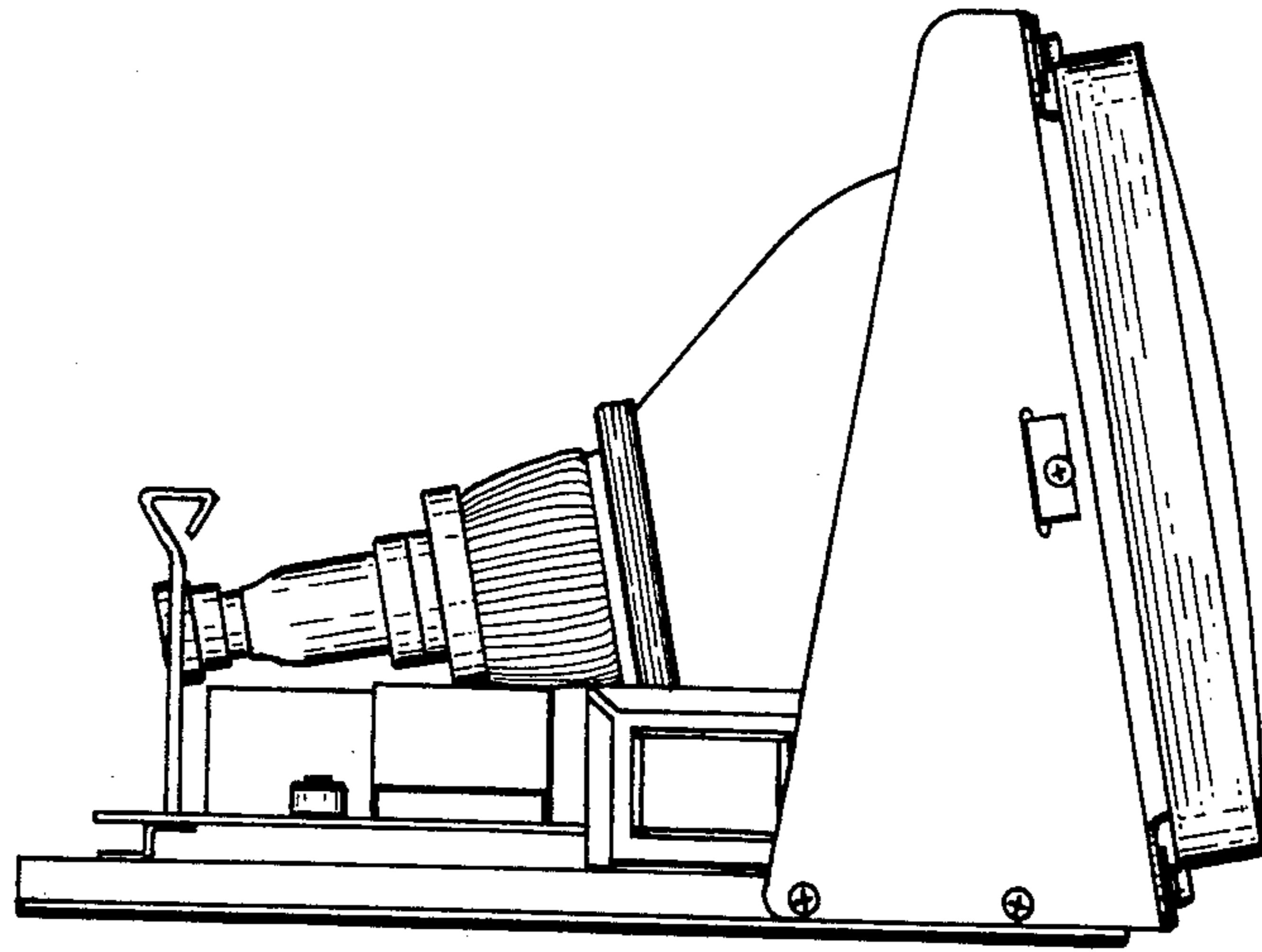


FIG. 2

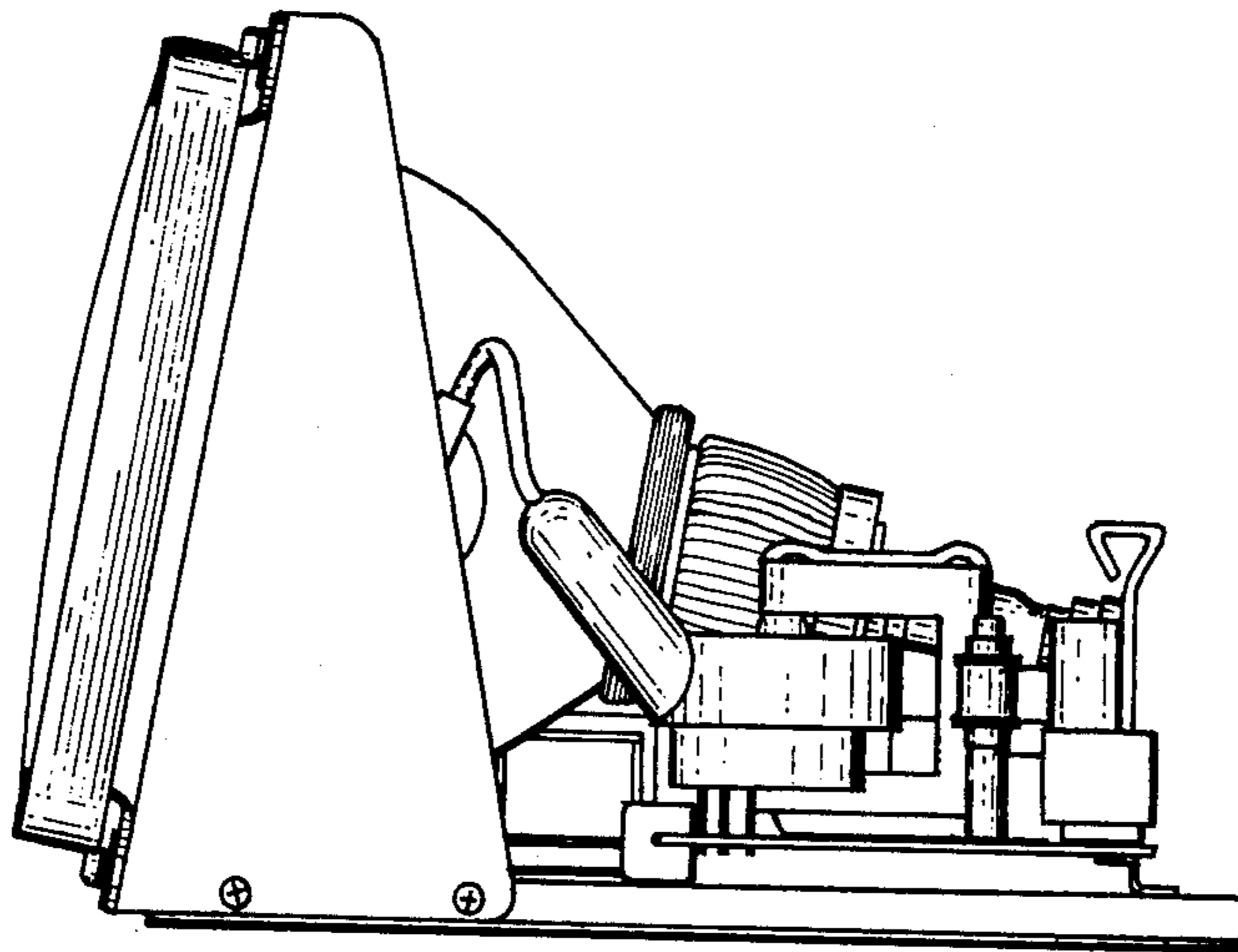


FIG. 3

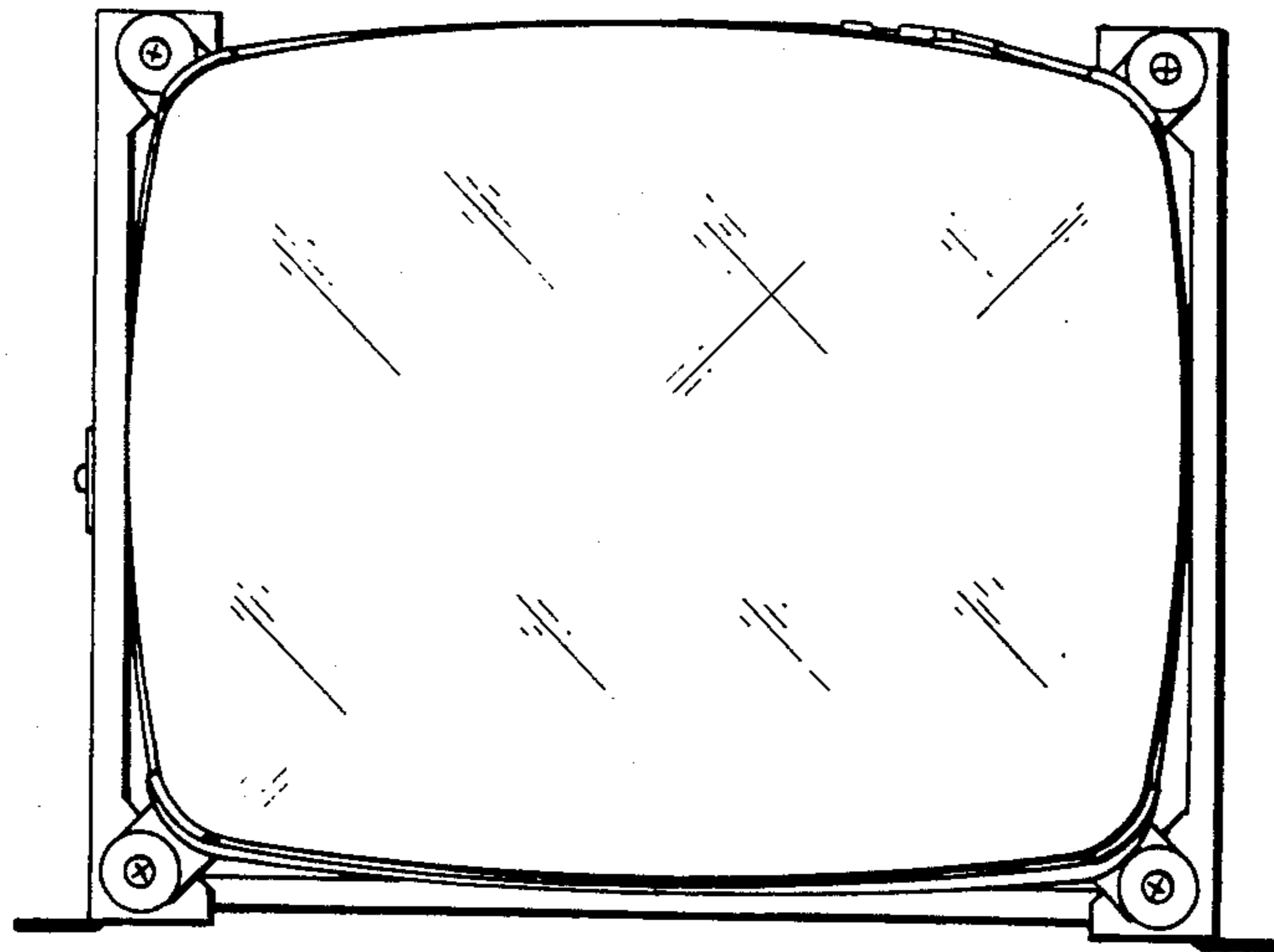


FIG. 4

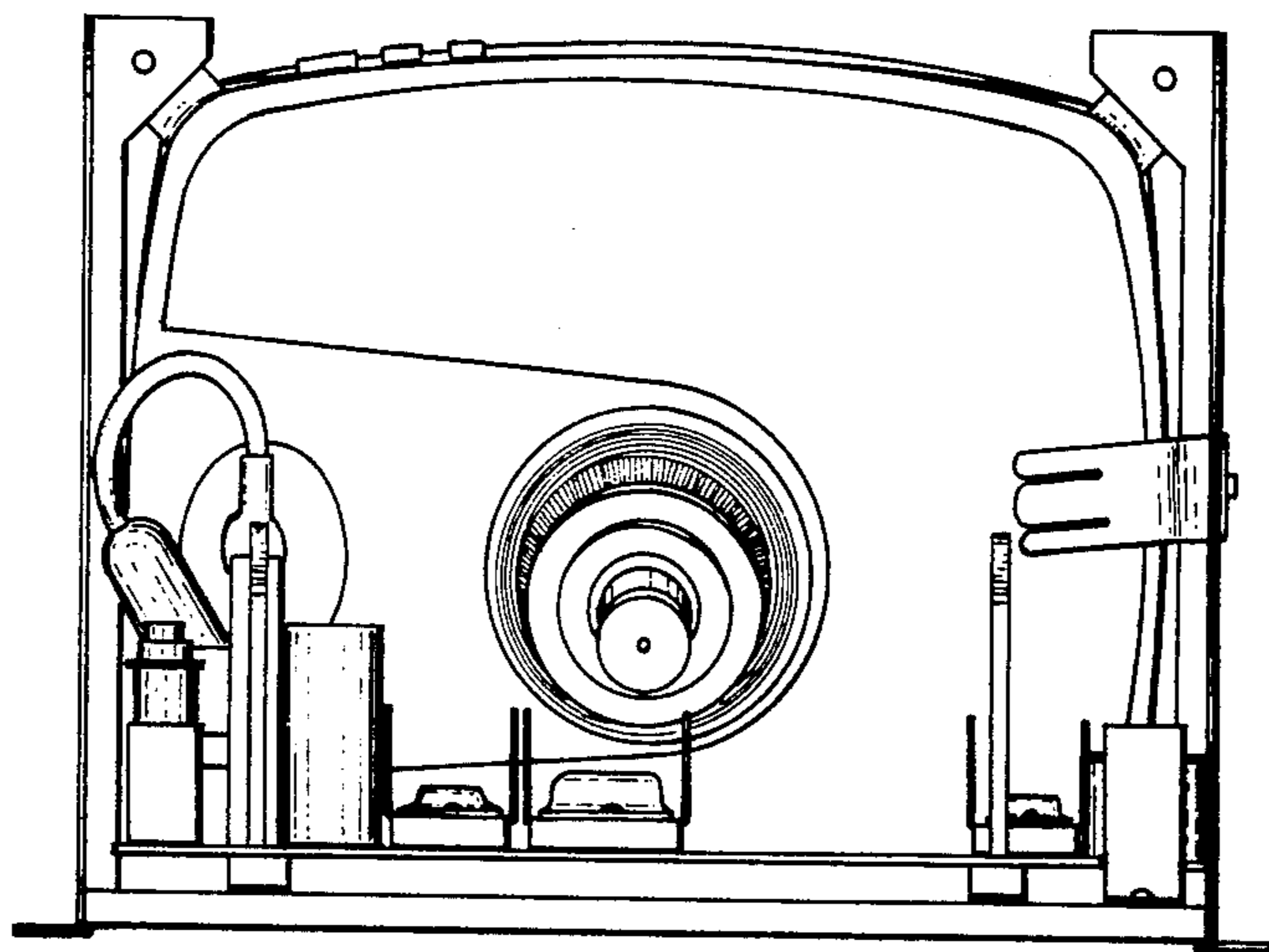


FIG. 5

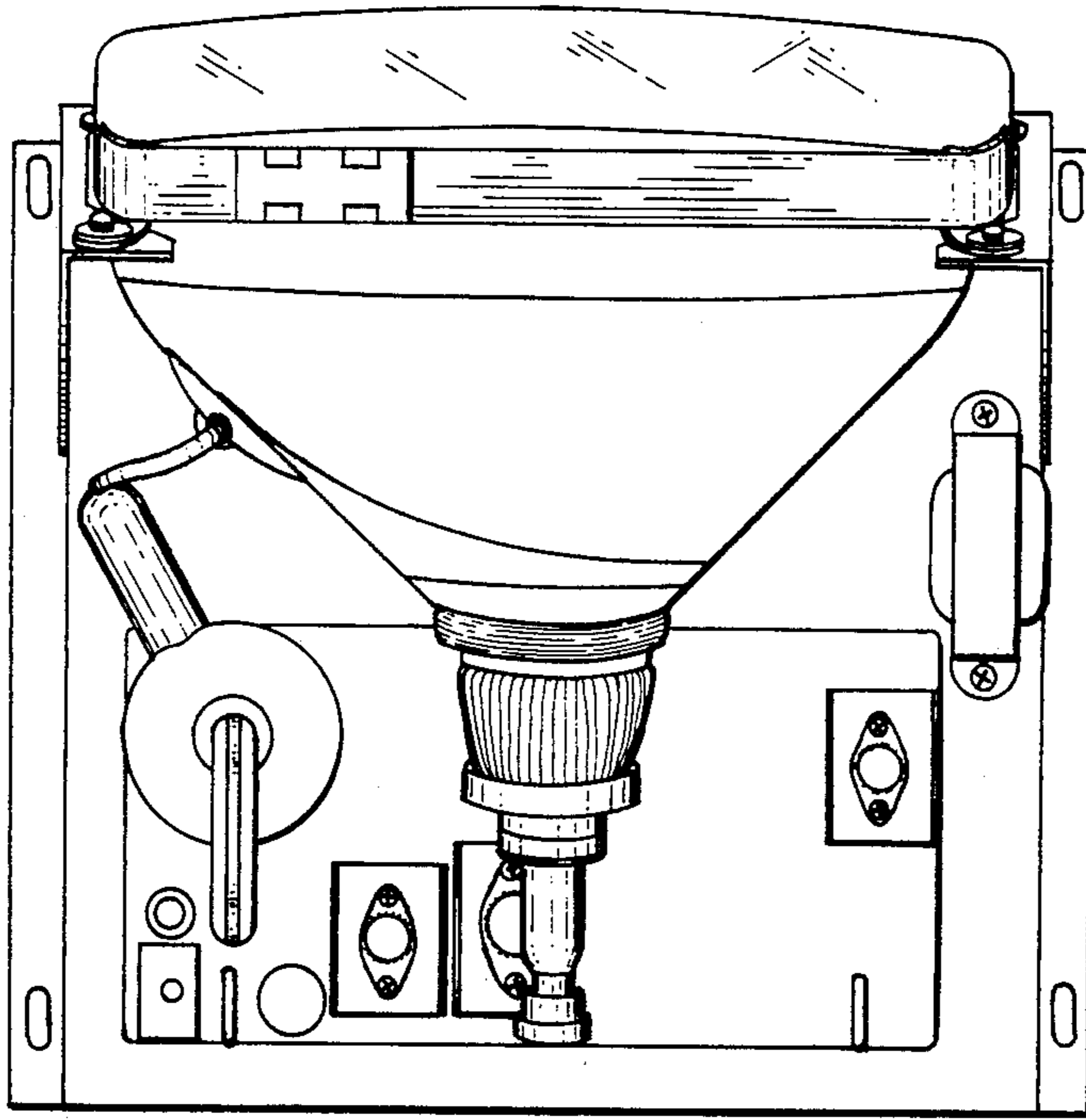


FIG. 6

