

- [54] BUILDING STRUCTURE
- [75] Inventor: Irwin R. Barr, Lutherville, Md.
- [73] Assignee: AAI Corporation, Cockeysville, Md.
- [\*\*] Term: 14 Years
- [21] Appl. No.: 725,749
- [22] Filed: Sept. 23, 1976

**Related U.S. Application Data**

- [63] Continuation of Ser. No. 562,645, March 27, 1975.
- [51] Int. Cl. .... D25—03
- [52] U.S. Cl. .... D25/21
- [58] Field of Search ..... D25/1, 3, 17, 18, 21;  
52/63, 80, 82; 165/48; 126/270 R, 270 G, 270  
H, 271

**References Cited**

**U.S. PATENT DOCUMENTS**

- |           |        |                      |           |
|-----------|--------|----------------------|-----------|
| 2,625,930 | 1/1953 | Harris .....         | 126/270 H |
| 3,134,906 | 5/1964 | Henker .....         | 126/270 H |
| 3,232,795 | 2/1966 | Gillette et al. .... | 126/270 H |

3,254,643 6/1966 Thomason ..... D13/1 A

Primary Examiner—A. Hugo Word  
Attorney, Agent, or Firm—Reginald F. Pippin, Jr.

[57] CLAIM

The ornamental design for a building structure, substantially as shown.

**DESCRIPTION**

FIG. 1 is a view in perspective of a building structure according to my invention, and representing a view of what may form the front/side, or rear/side, or vice versa, of such building structure, but which for ease of description will be designated as a front/side view. FIG. 2 is a rear view in perspective, taken in the opposite direction from FIG. 1. FIG. 3 is a front elevation view of the building structure of FIG. 1, according to the illustrative convention adopted for FIG. 1. FIG. 4 is a plan view of the building structure of FIG. 1. FIG. 5 is a rear elevation view of the building structure of FIG. 1. FIG. 6 is a side elevation view of the building structure of FIG. 1.

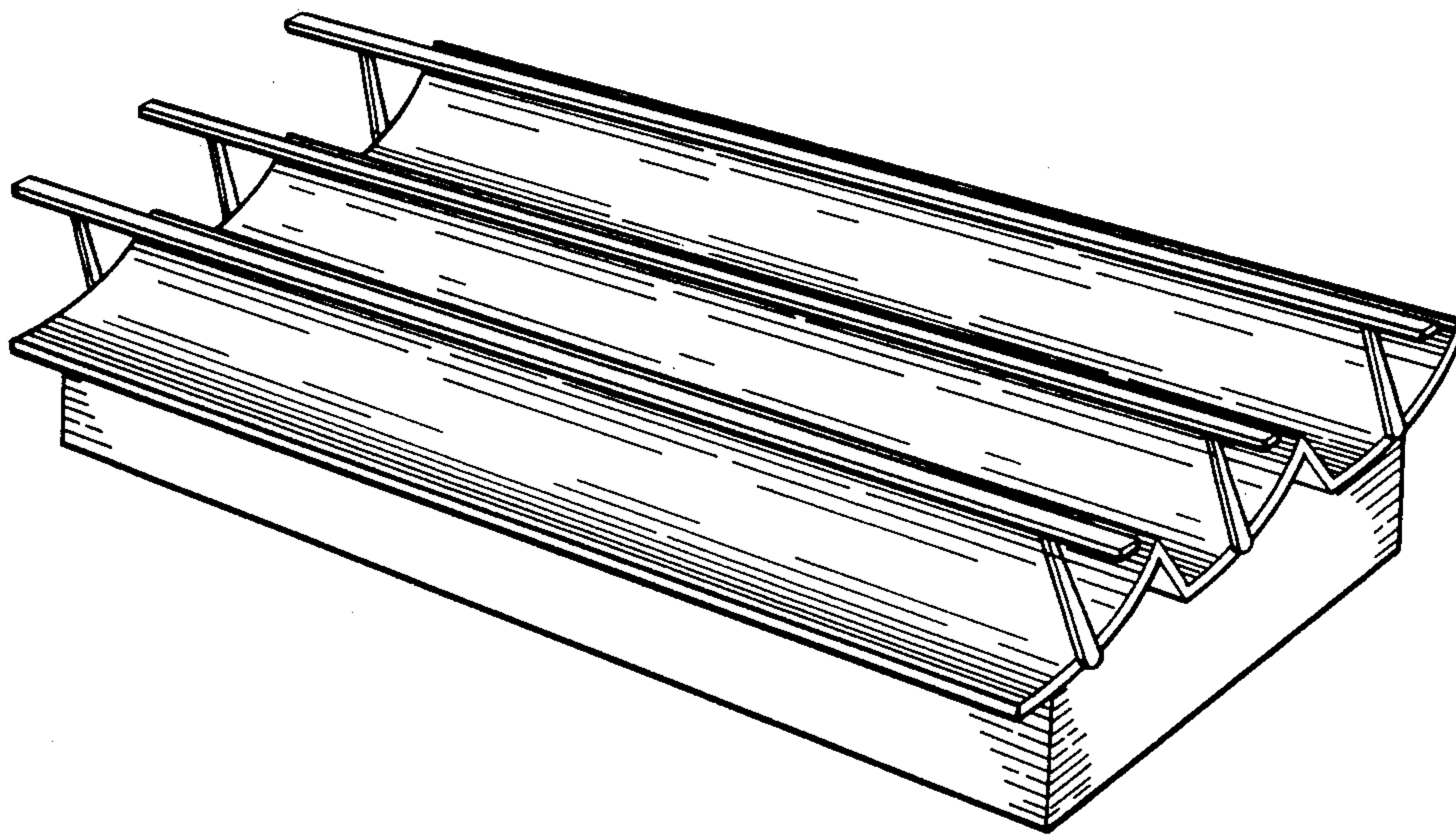


FIG. 1

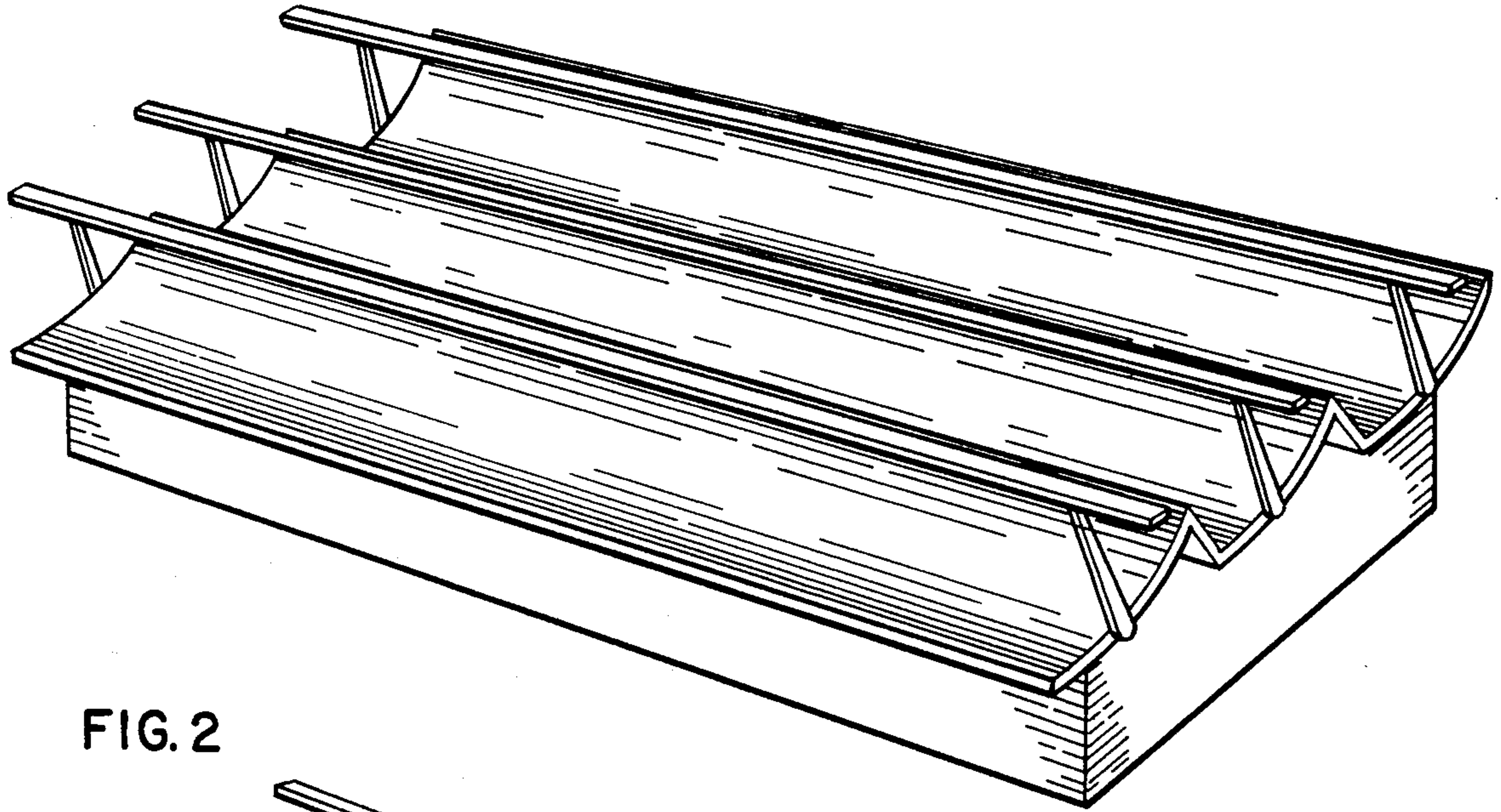


FIG. 2

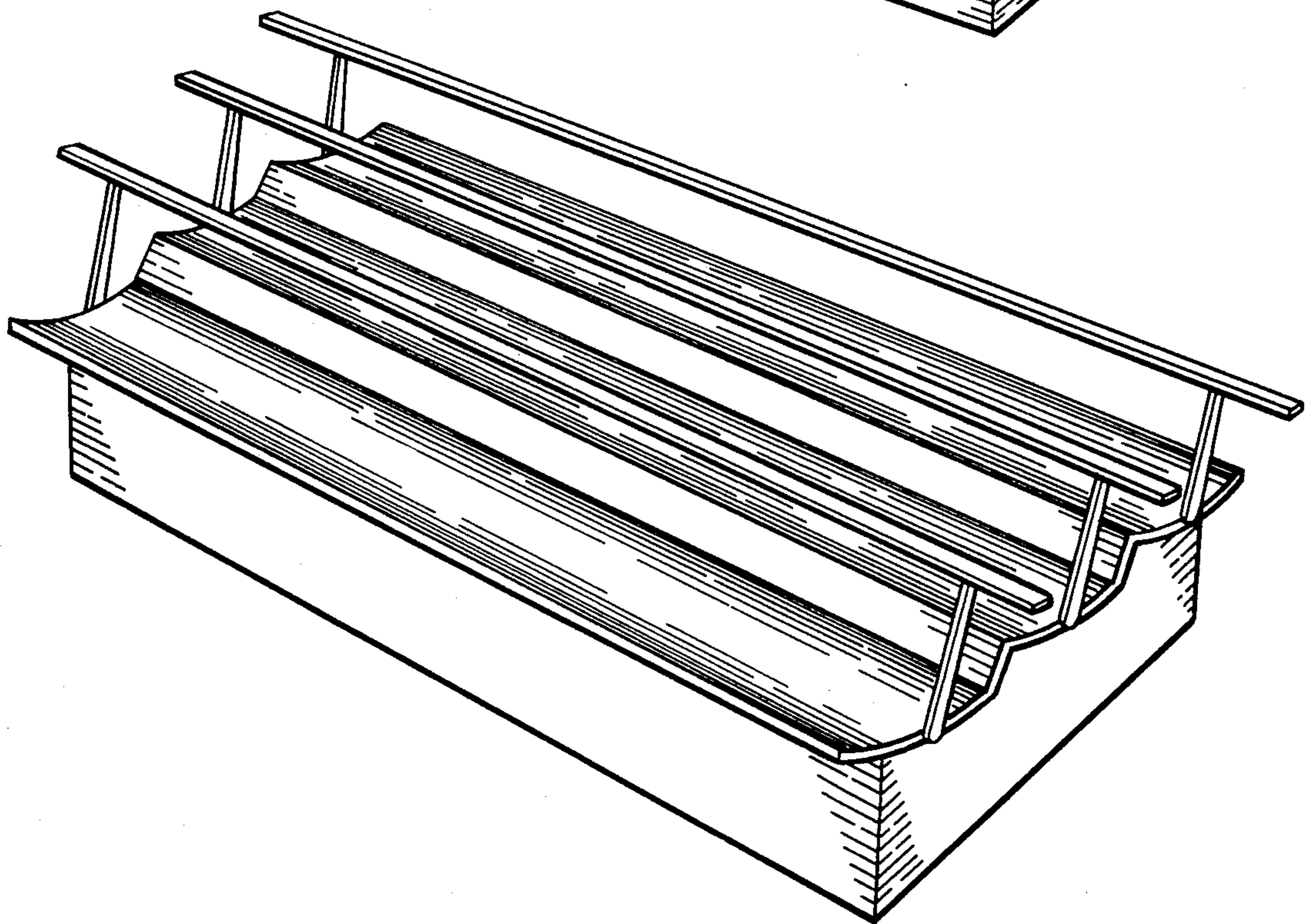




FIG. 3

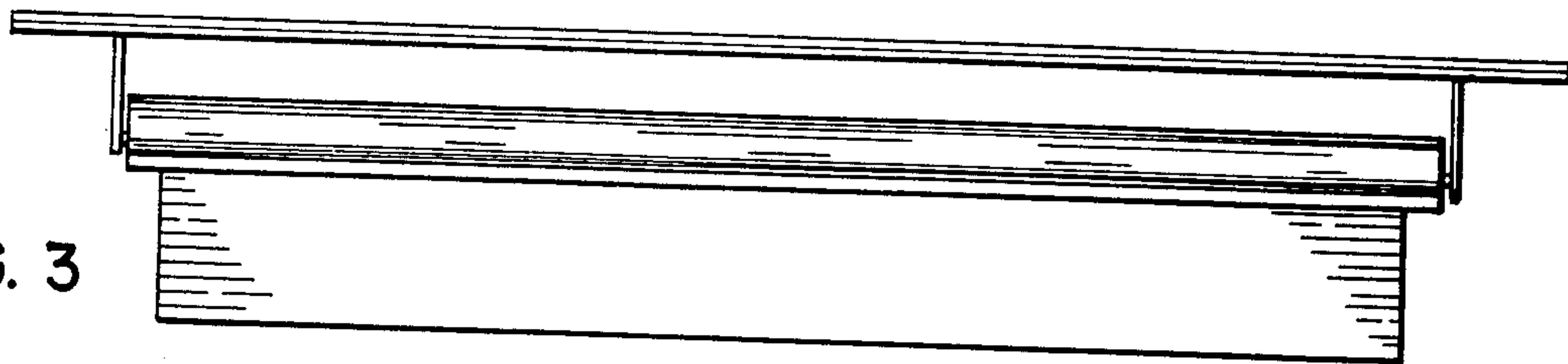


FIG. 4

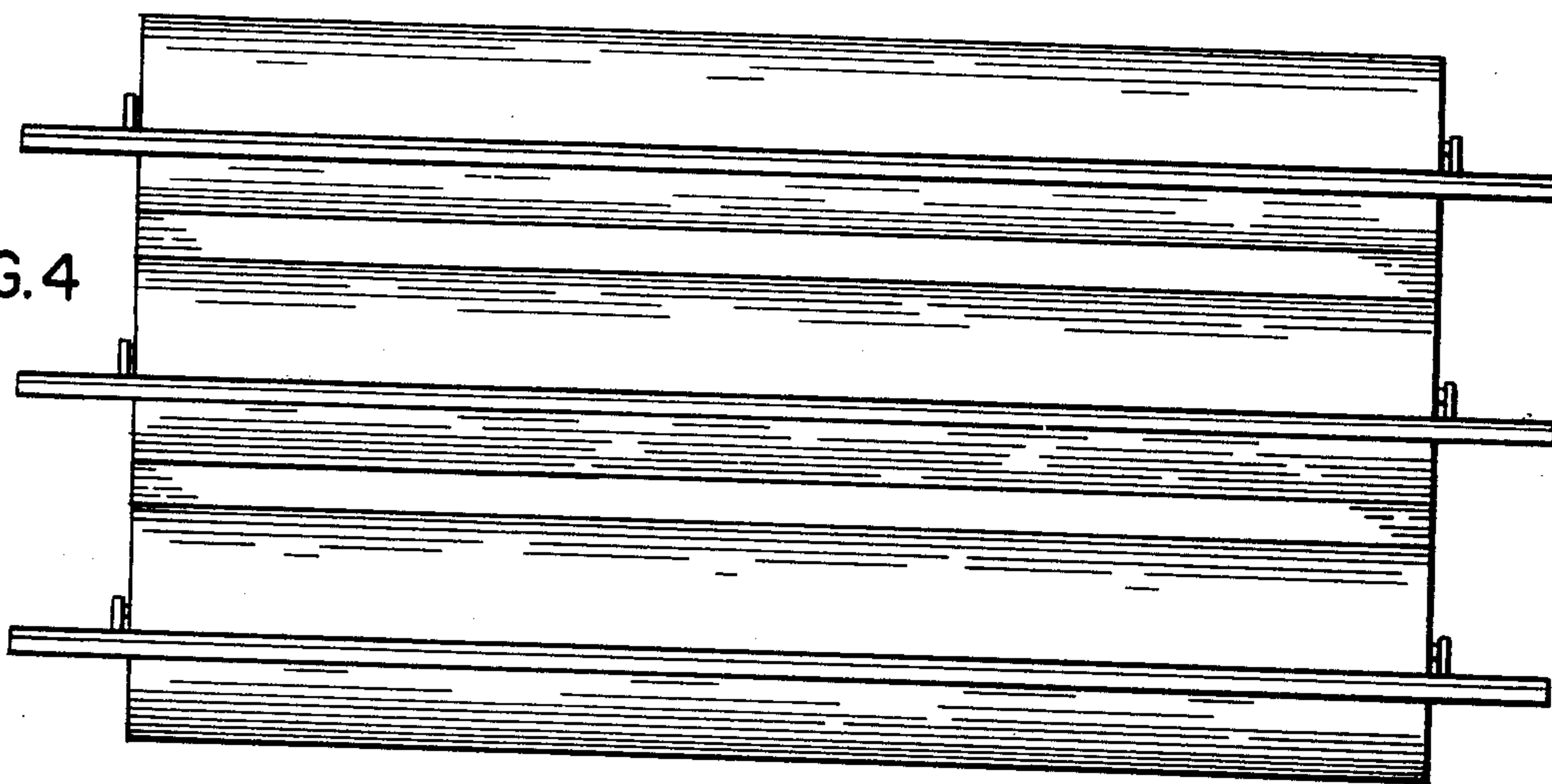


FIG. 5

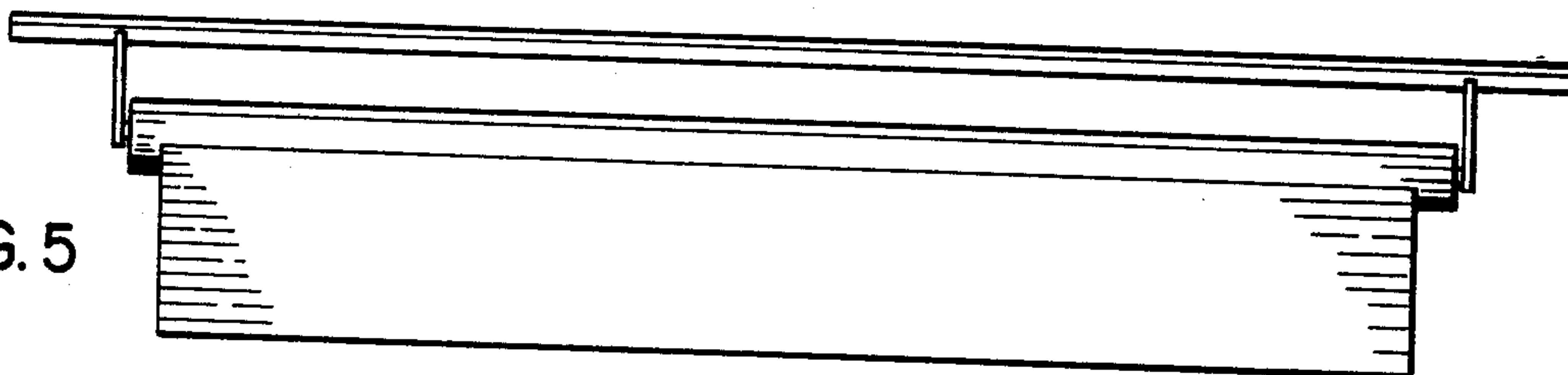


FIG. 6

