

[54] HIGH FLOTATION VEHICLE FOR USE IN AGRICULTURAL FERTILIZING OR THE LIKE

[75] Inventor: Lawrence N. Tangeman, Beatrice, Nebr.

[73] Assignee: Dempster Industries, Inc., Beatrice, Nebr.

[**] Term: 14 Years

[21] Appl. No.: 627,681

[22] Filed: Oct. 31, 1975

[51] Int. Cl. D15-03

[52] U.S. Cl. D15/13

[58] Field of Search D12/96, 95; D40/1 E, D40/1 R, 5 R; 180/25 R, 26 R, 26 A, 27, 89 R; 280/5 D, 5 E, 5 C; 239/172; 222/178; D15/13, 26

[56] References Cited

U.S. PATENT DOCUMENTS

3,902,667	9/1975	Jackson	239/172
3,946,824	3/1976	Jester et al.	180/27
D. 205,836	9/1966	Commons	D12/96
D. 205,837	9/1966	Commons	D12/96
D. 211,569	7/1968	Rickel et al.	D40/5 R
D. 212,845	12/1968	Jones	D12/96
D. 215,927	11/1969	Jones	D12/96

OTHER PUBLICATIONS

Implement & Tractor, 11/7/68, P41, Tryco "Floater" spreader, center left side of page.

Primary Examiner—Wallace R. Burke

Assistant Examiner—James M. Gandy

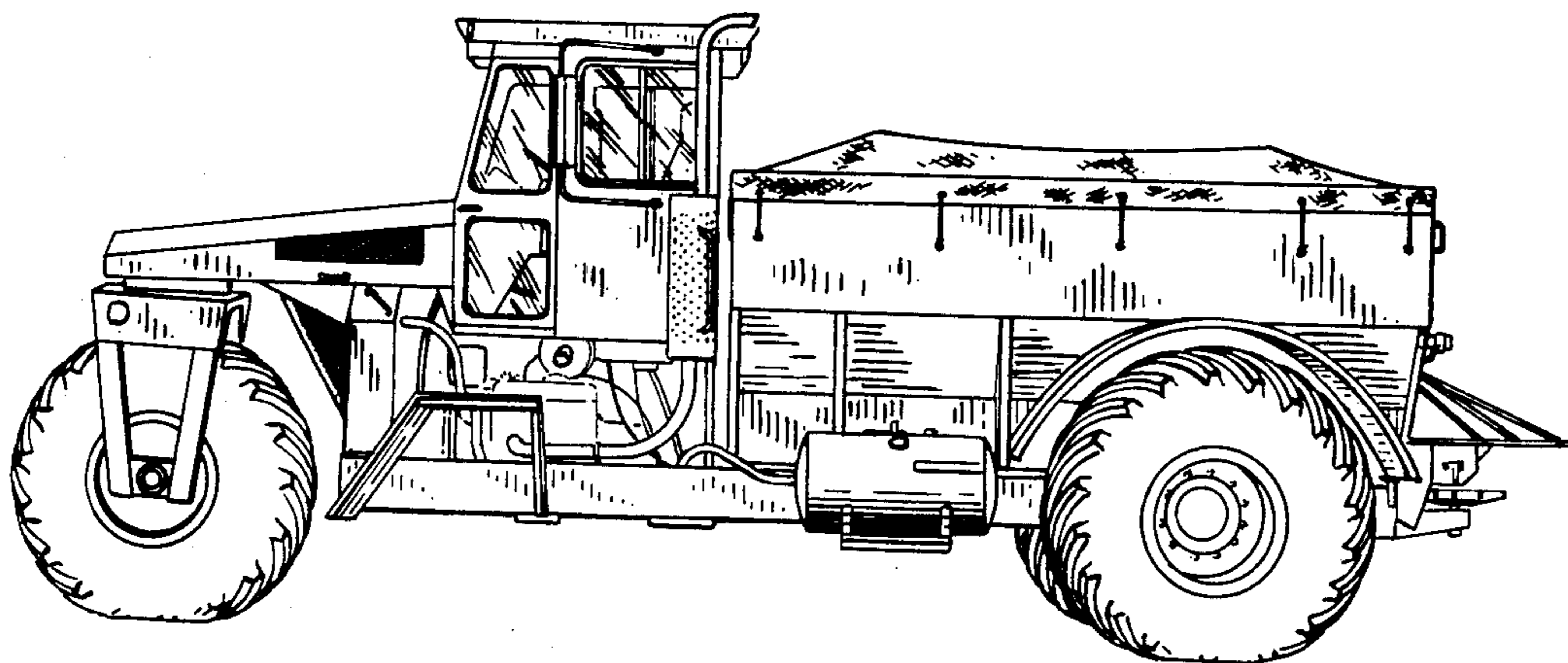
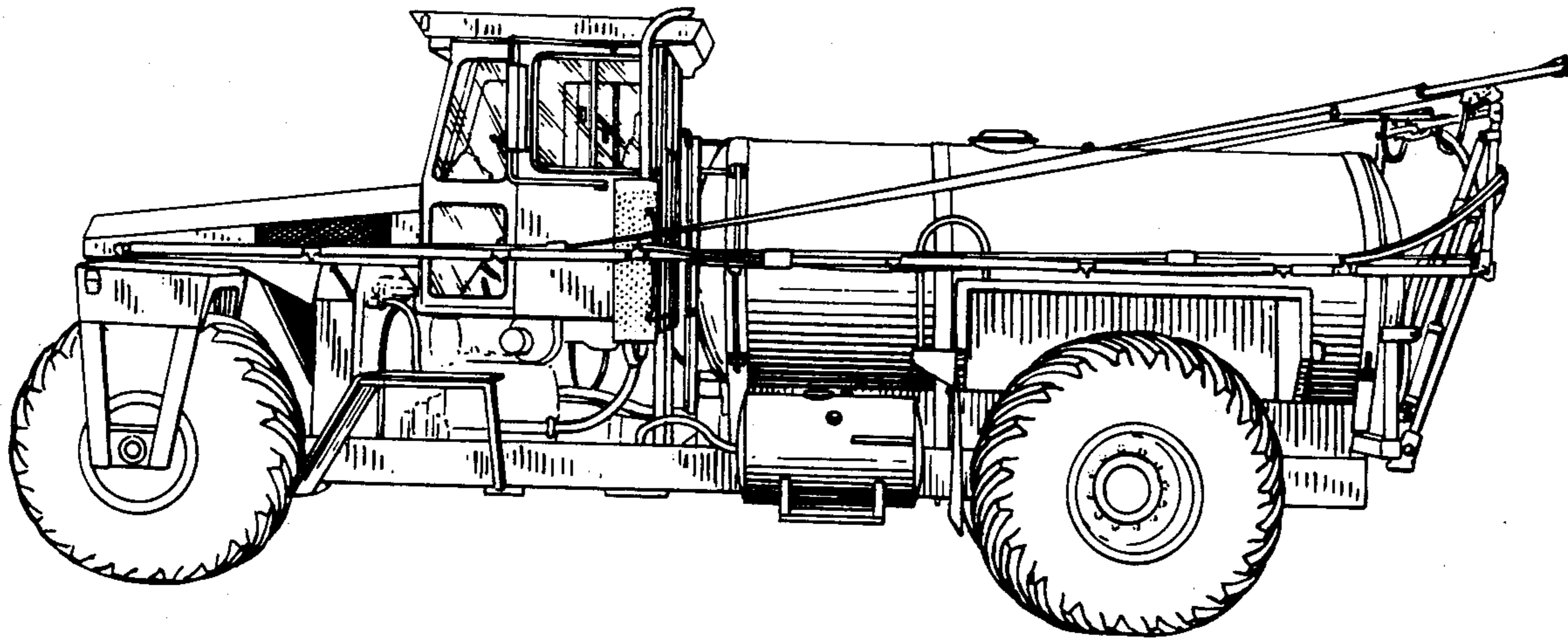
Attorney, Agent, or Firm—Gordon D. Schmidt

[57] CLAIM

The ornamental design for a high flotation vehicle for use in agriculture fertilizing or the like, substantially as shown and described.

DESCRIPTION

FIG. 1 is a side perspective view of a high flotation vehicle for use in agricultural fertilizing or the like showing my new design;
 FIG. 2 is a side perspective view showing the side opposite to that shown in FIG. 1;
 FIG. 3 is a rear perspective view of FIG. 1;
 FIG. 4 is a front perspective view of FIG. 1;
 FIG. 5 is a top perspective view of FIG. 1;
 FIG. 6 is a side perspective view of another embodiment of the high flotation vehicle for use in agriculture fertilizing or the like showing my new design;
 FIG. 7 is a side perspective view showing the side opposite to that shown in FIG. 6.
 FIG. 8 is a rear perspective view of FIG. 6;
 FIG. 9 is a front perspective view of FIG. 6; and
 FIG. 10 is a top perspective view of FIG. 6.



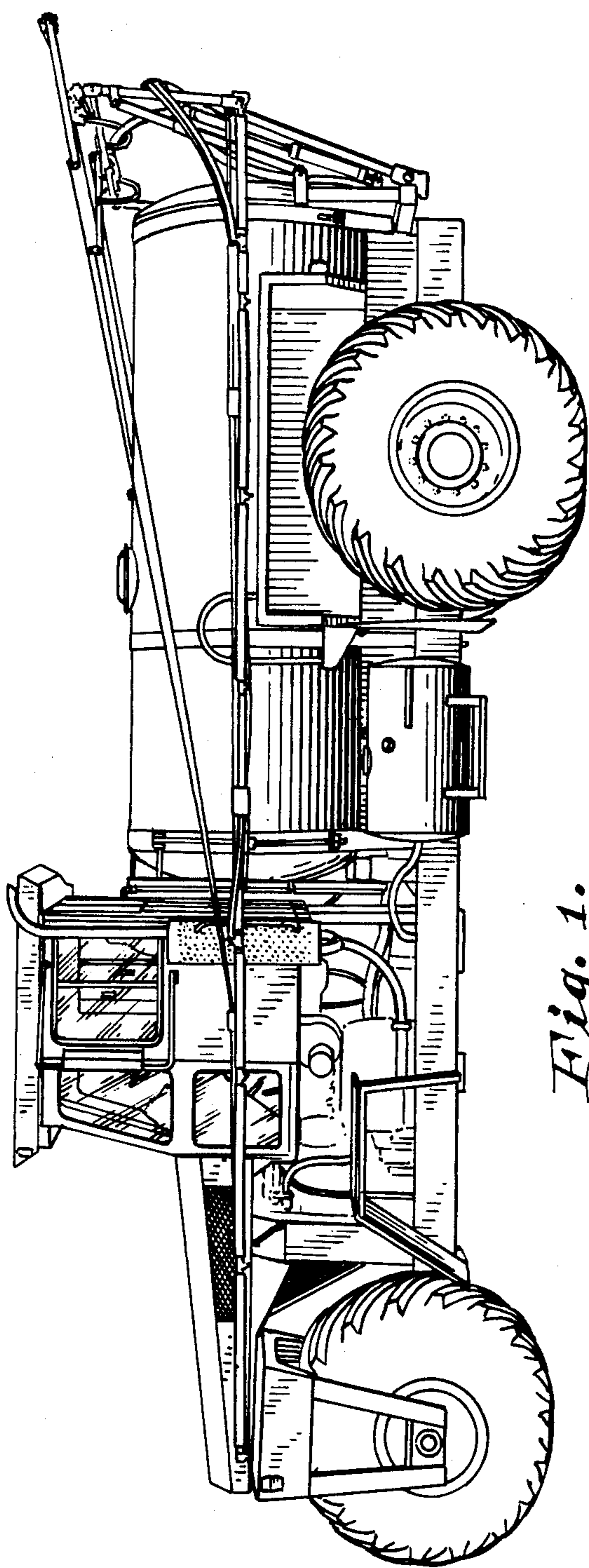


Fig. 1.

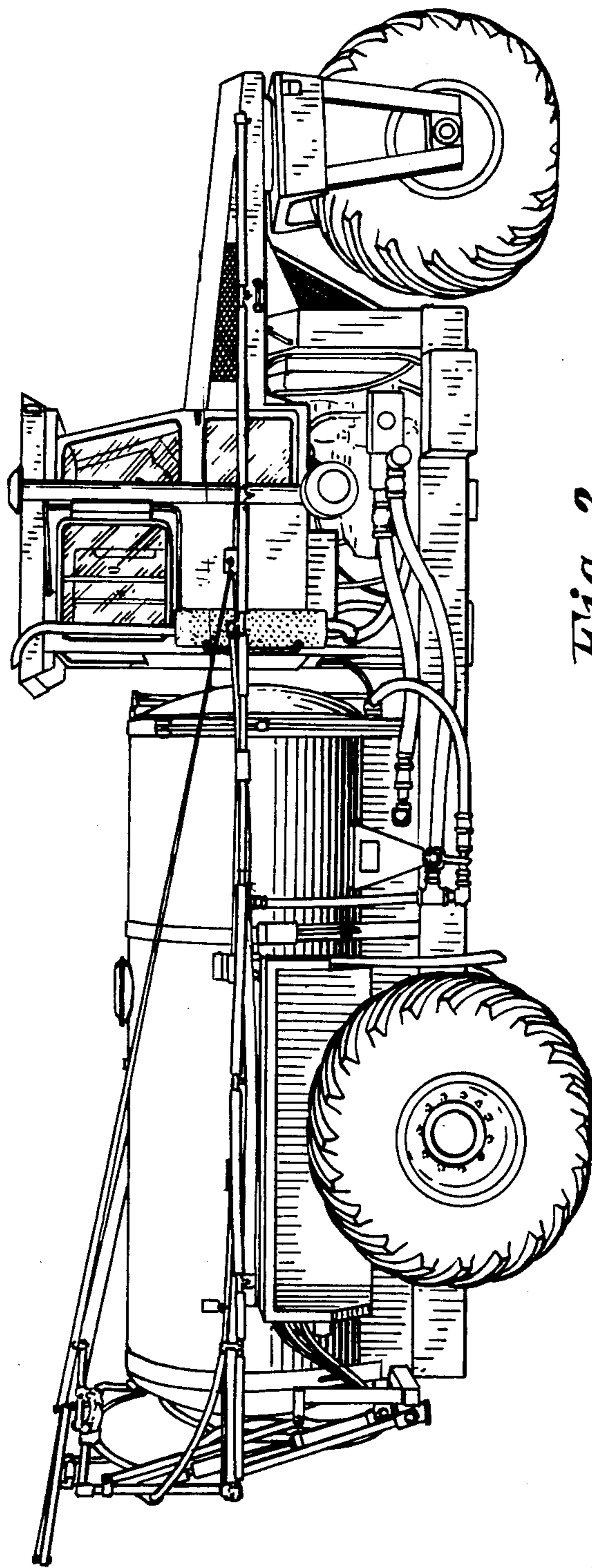


Fig. 2.

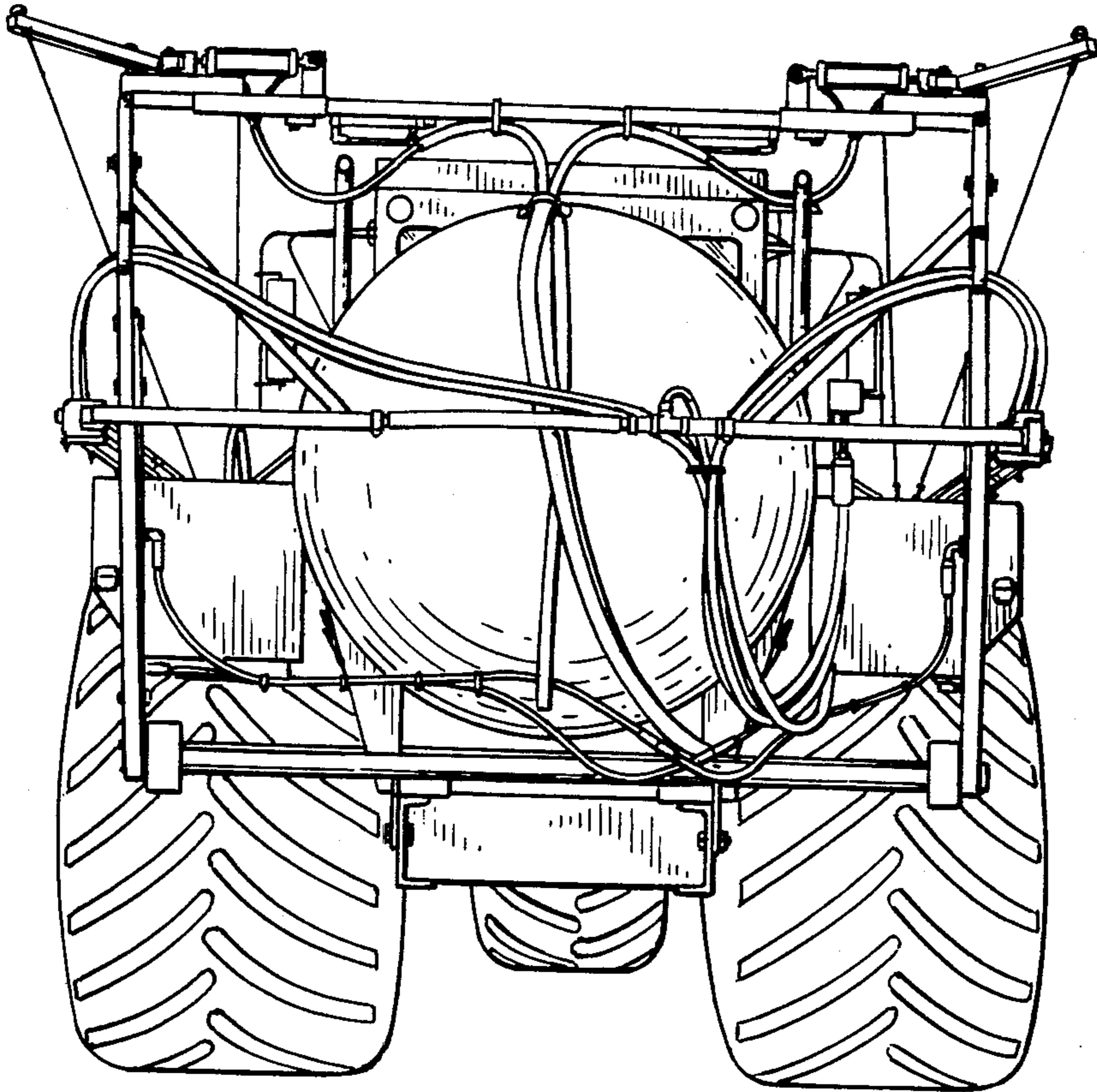


Fig. 3.

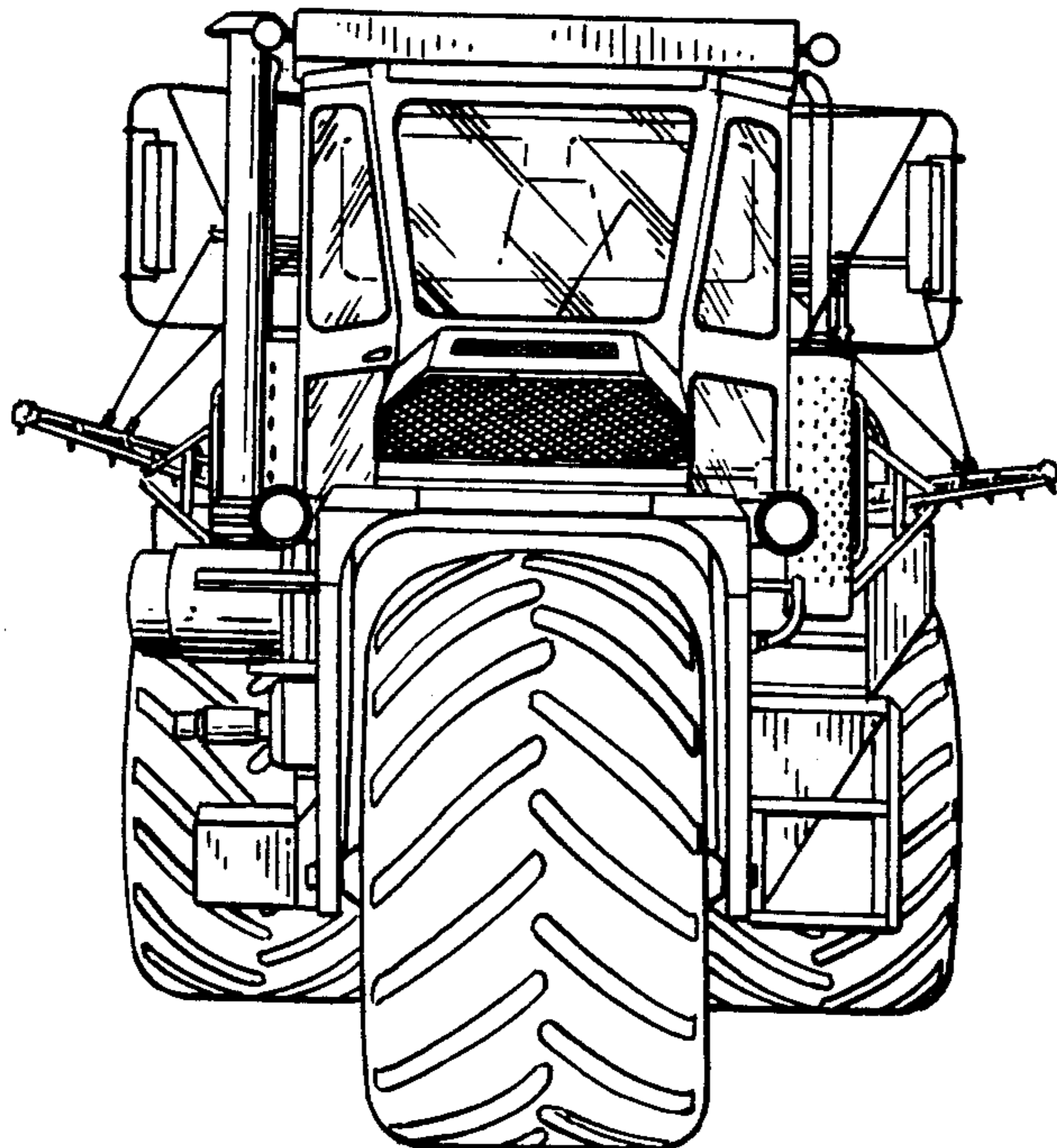


Fig. 4.

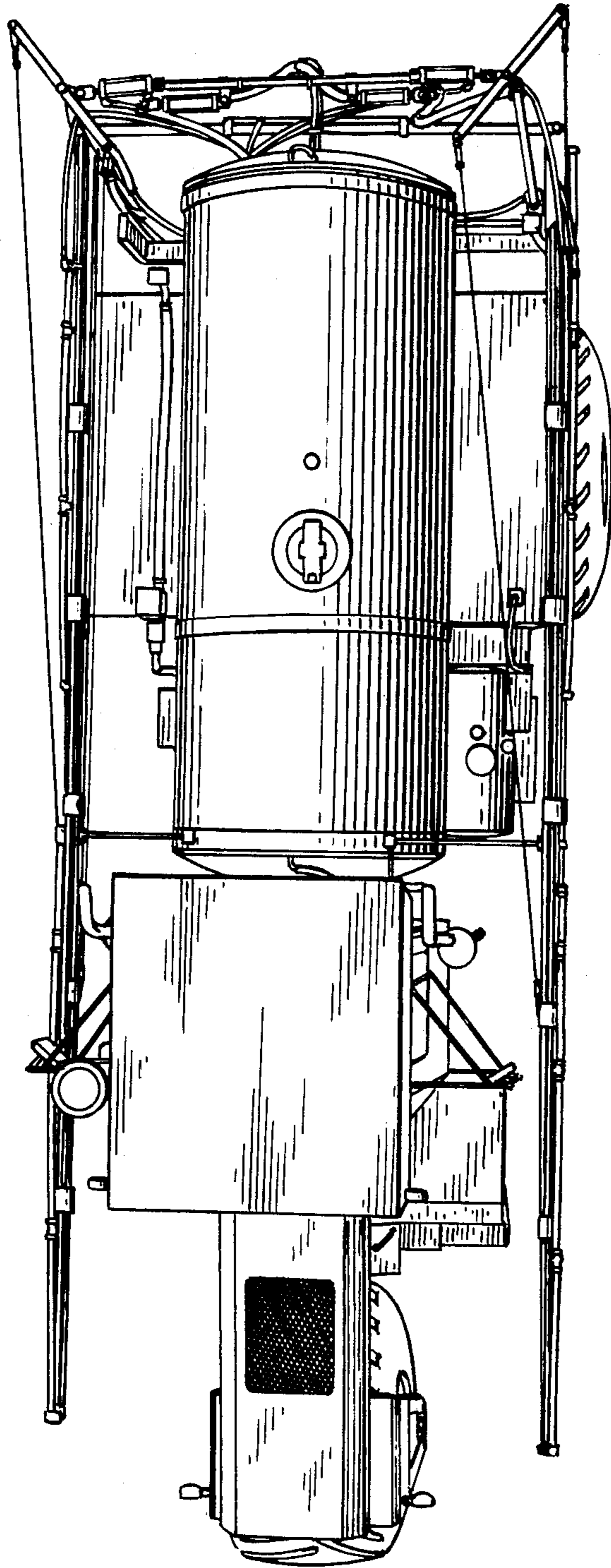


Fig. 5.

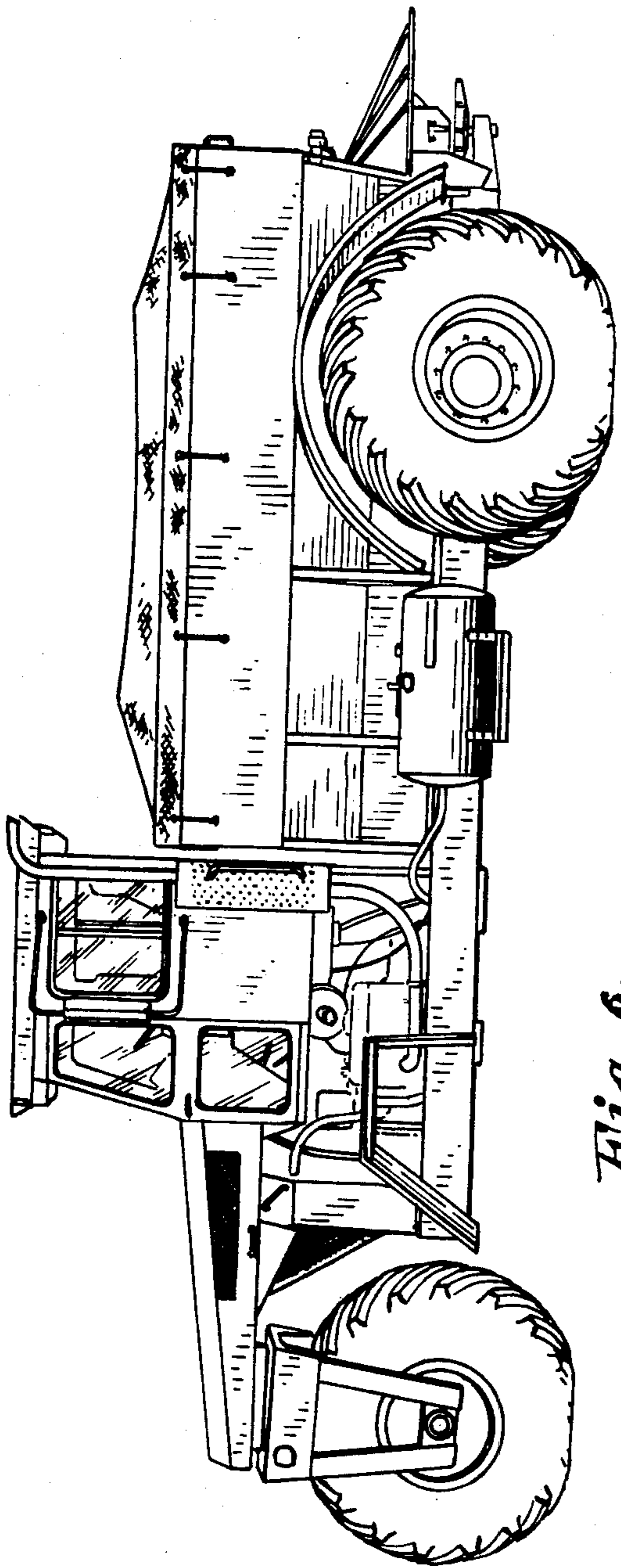


Fig. 6.

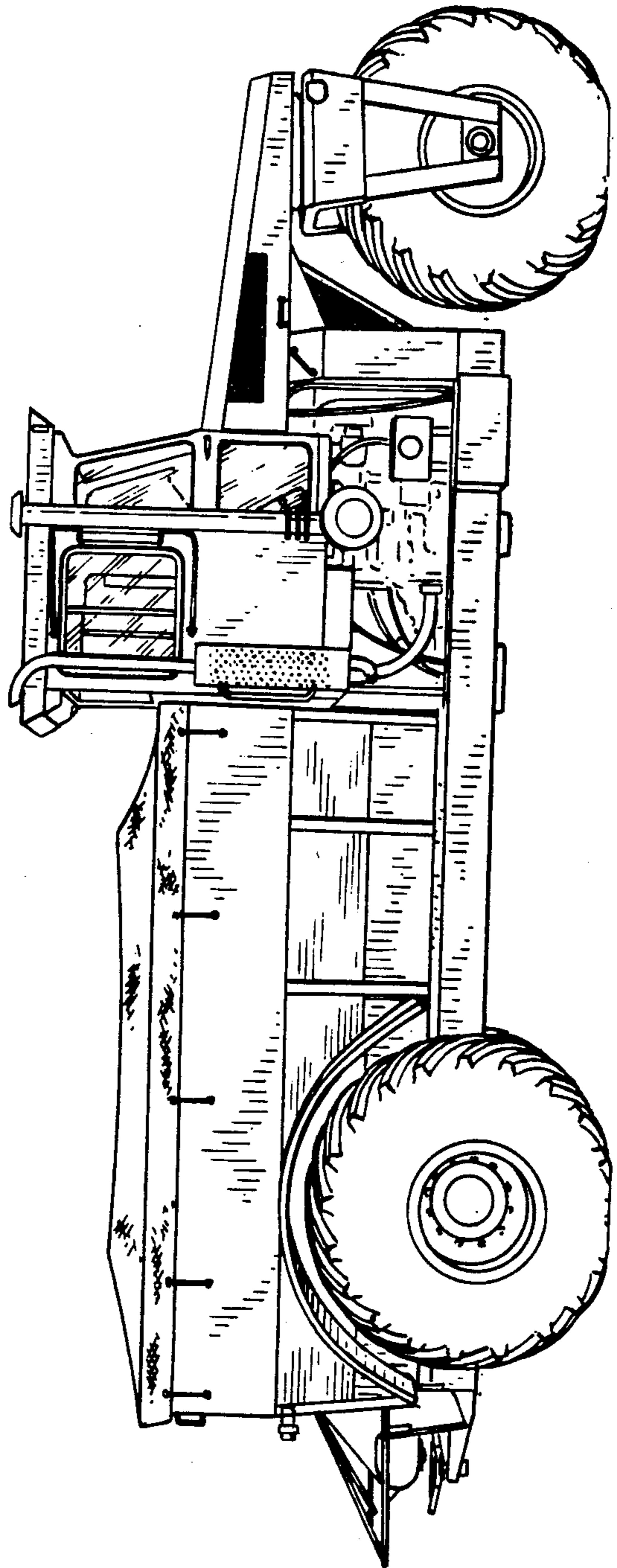


Fig. 7.

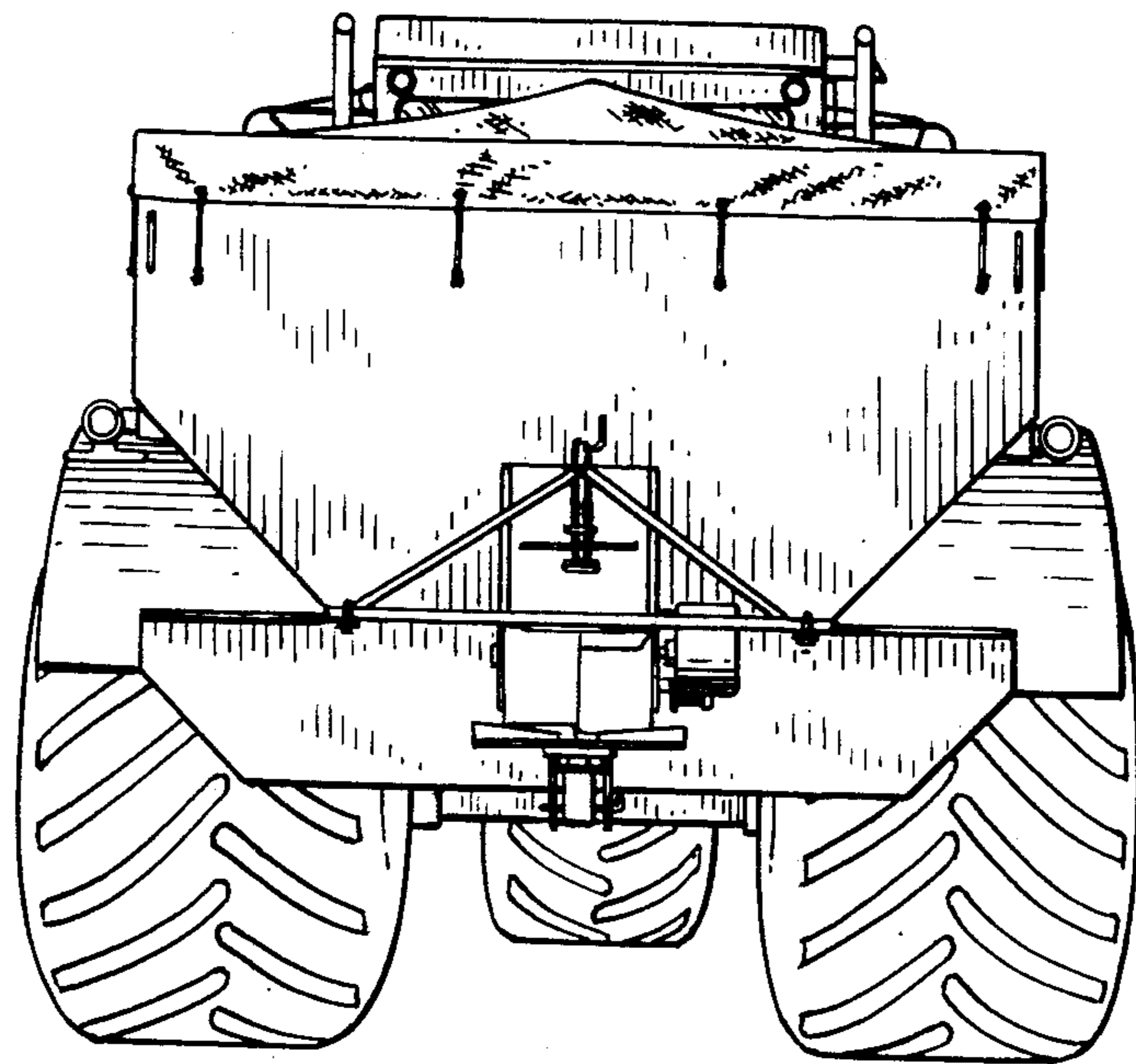


Fig. 8.

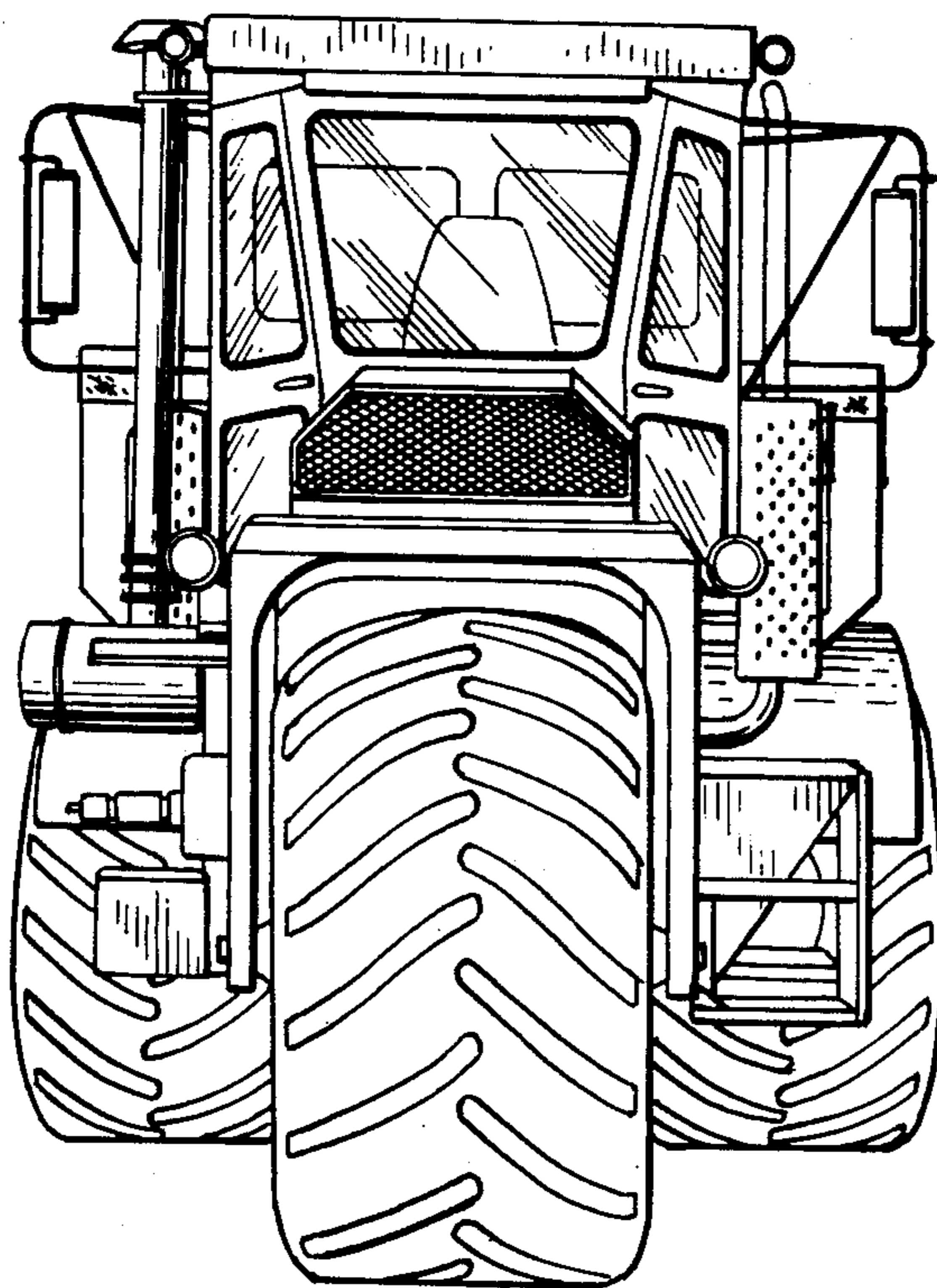


Fig. 9.

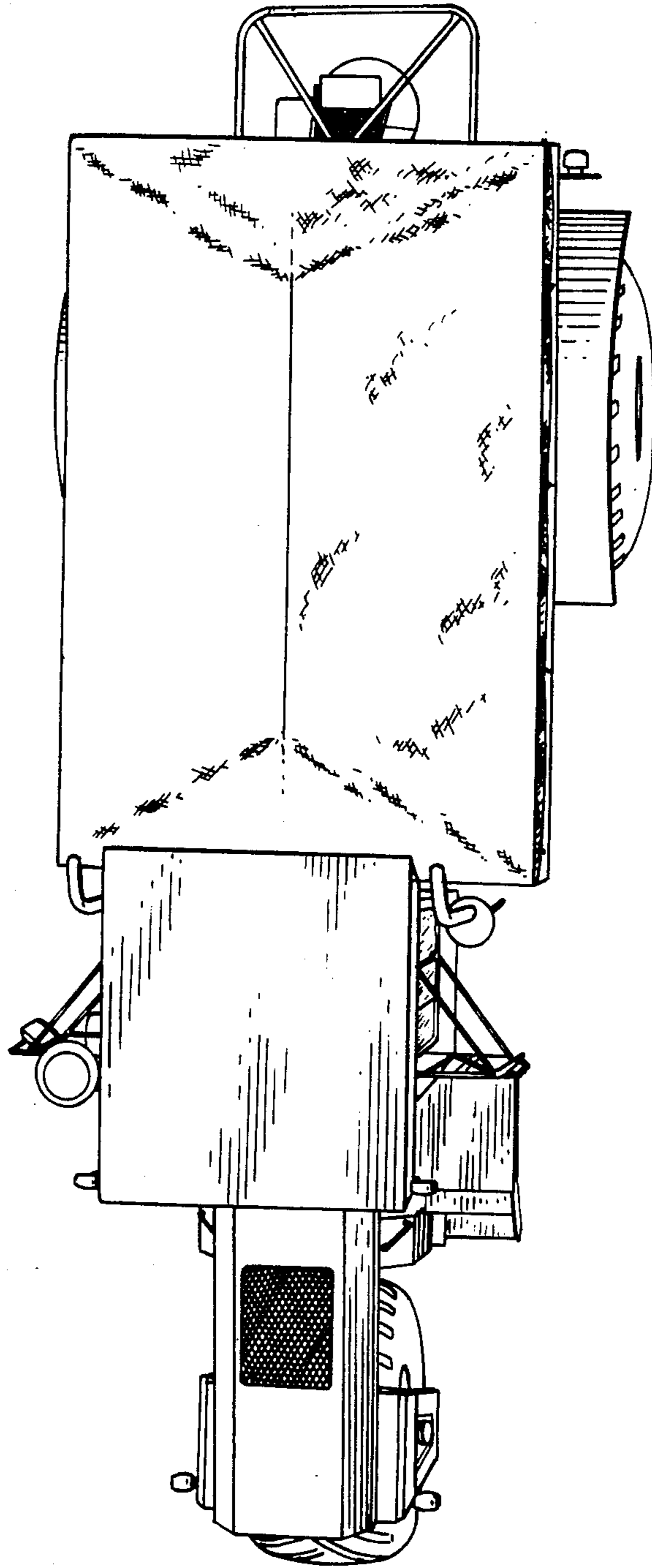


Fig. 10.