

[54] **BATTERY POWERED WHEELCHAIR**

[75] Inventor: **Vincent Grippi, Jr., Oakland, Calif.**

[73] Assignee: **Center for Independent Living, Inc., Berkeley, Calif.**

[\*\*] Term: **14 Years**

[21] Appl. No.: **708,701**

[22] Filed: **July 26, 1976**

[51] Int. Cl. .... **D12-12**

[52] U.S. Cl. .... **D12/131**

[58] Field of Search ..... **D12/131; 280/242 WC; 297/DIG. 4, 44; 296/28 B; 180/6.5, 6.5 R**

[56] **References Cited**

**U.S. PATENT DOCUMENTS**

3,786,887 1/1974 Rosenthal et al. .... 180/6.5  
3,814,199 6/1974 Jones ..... 180/6.5

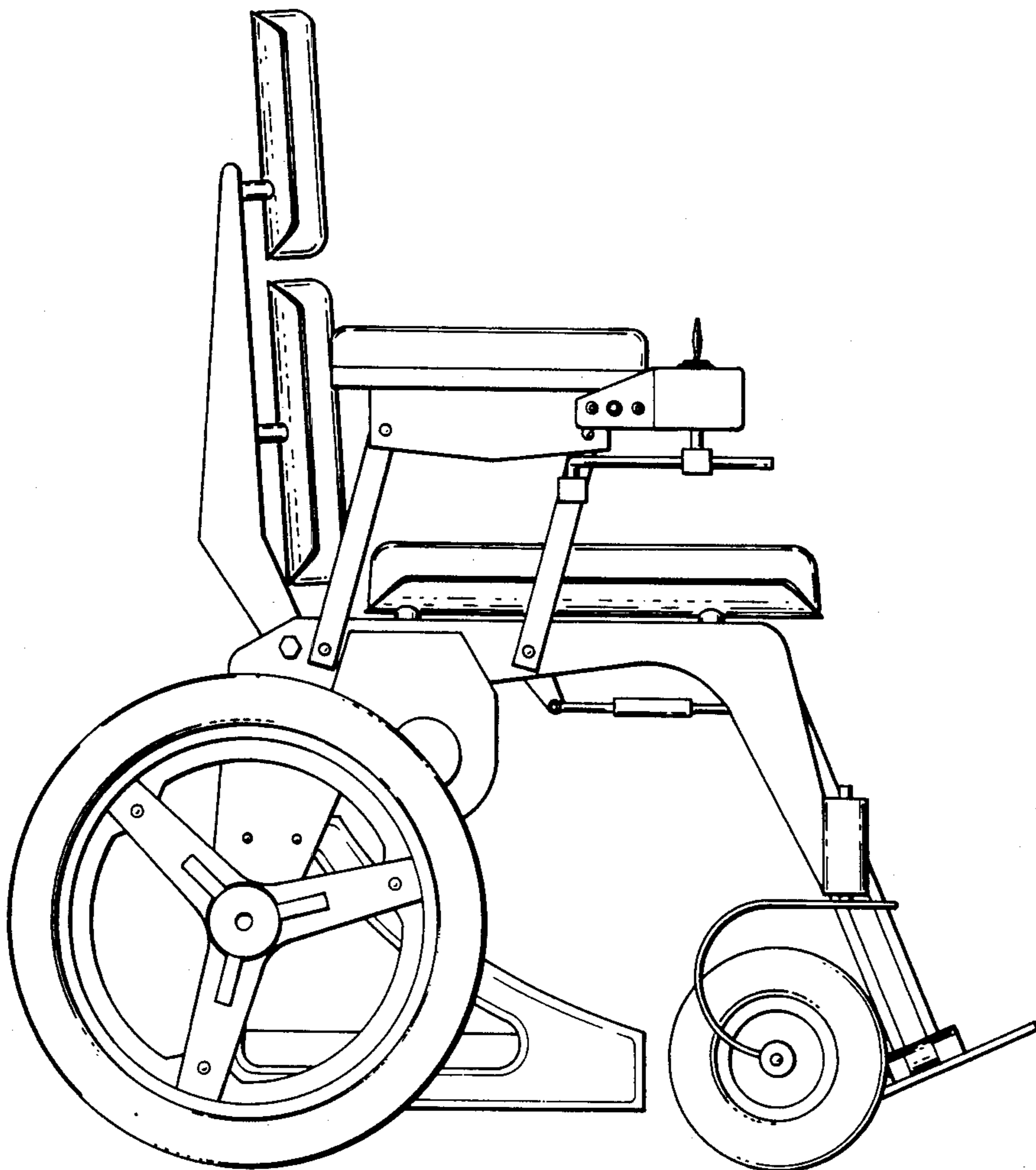
*Primary Examiner*—Wallace R. Burke  
*Assistant Examiner*—James M. Gandy  
*Attorney, Agent, or Firm*—Manfred M. Warren

[57] **CLAIM**

The ornamental design for a battery powered wheelchair, as shown.

**DESCRIPTION**

FIG. 1 is a side elevational view of a battery powered wheelchair showing my new design;  
FIG. 2 is a front elevational view thereof on a reduced scale;  
FIG. 3 is a rear elevational view thereof on a reduced scale;  
FIG. 4 is a top plan view thereof on a reduced scale; and  
FIG. 5 is a bottom plan view thereof on a reduced scale.



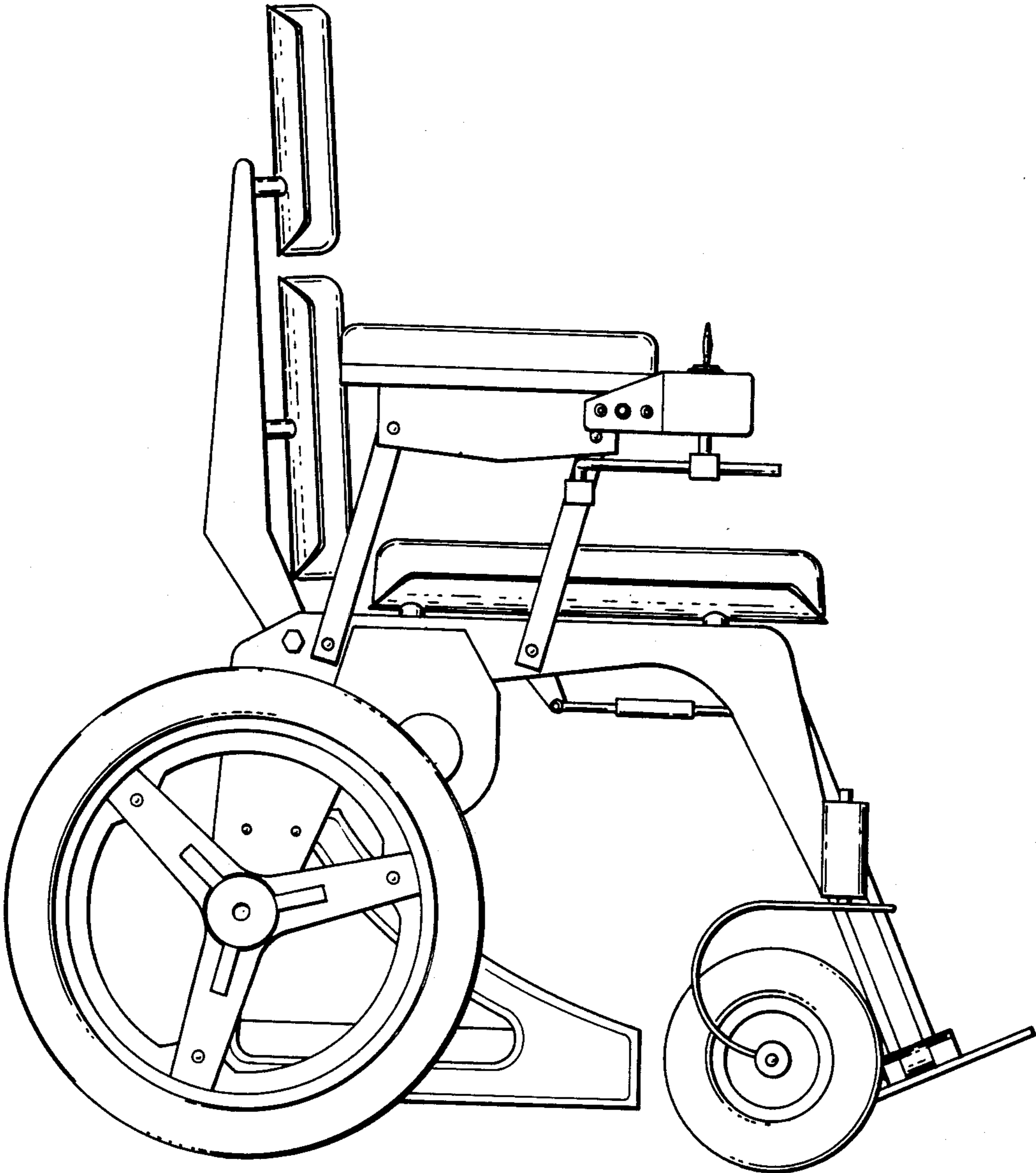
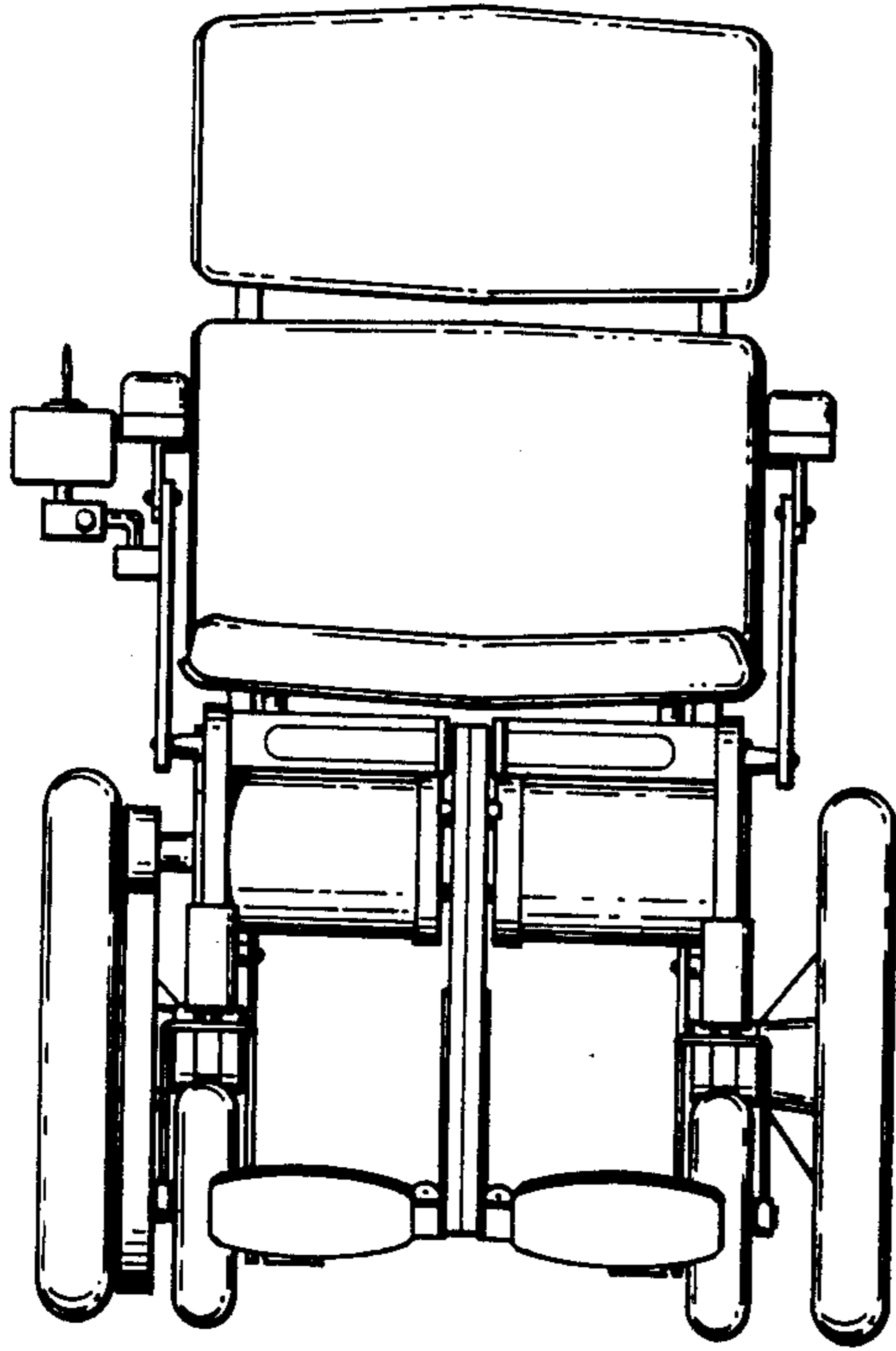
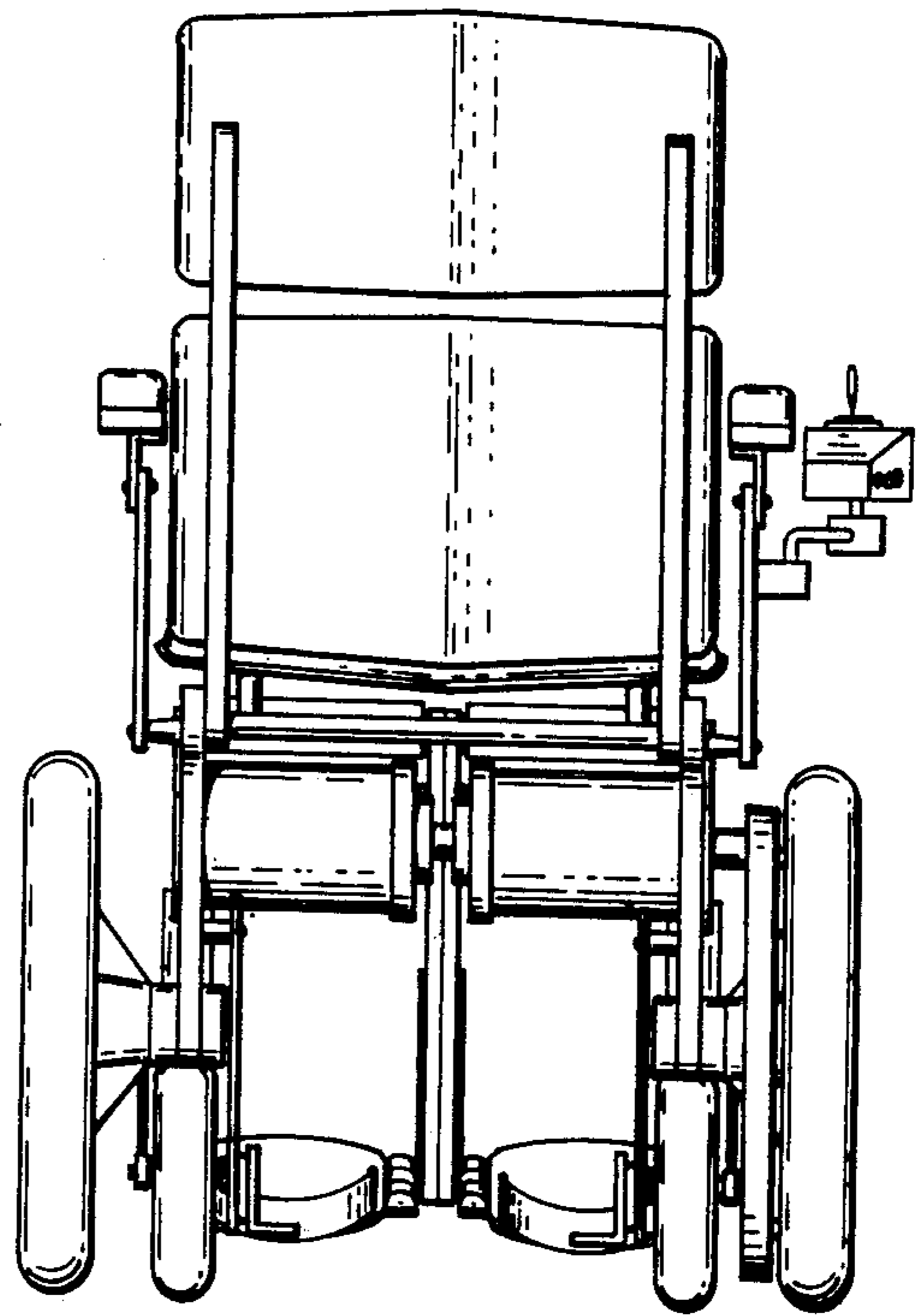


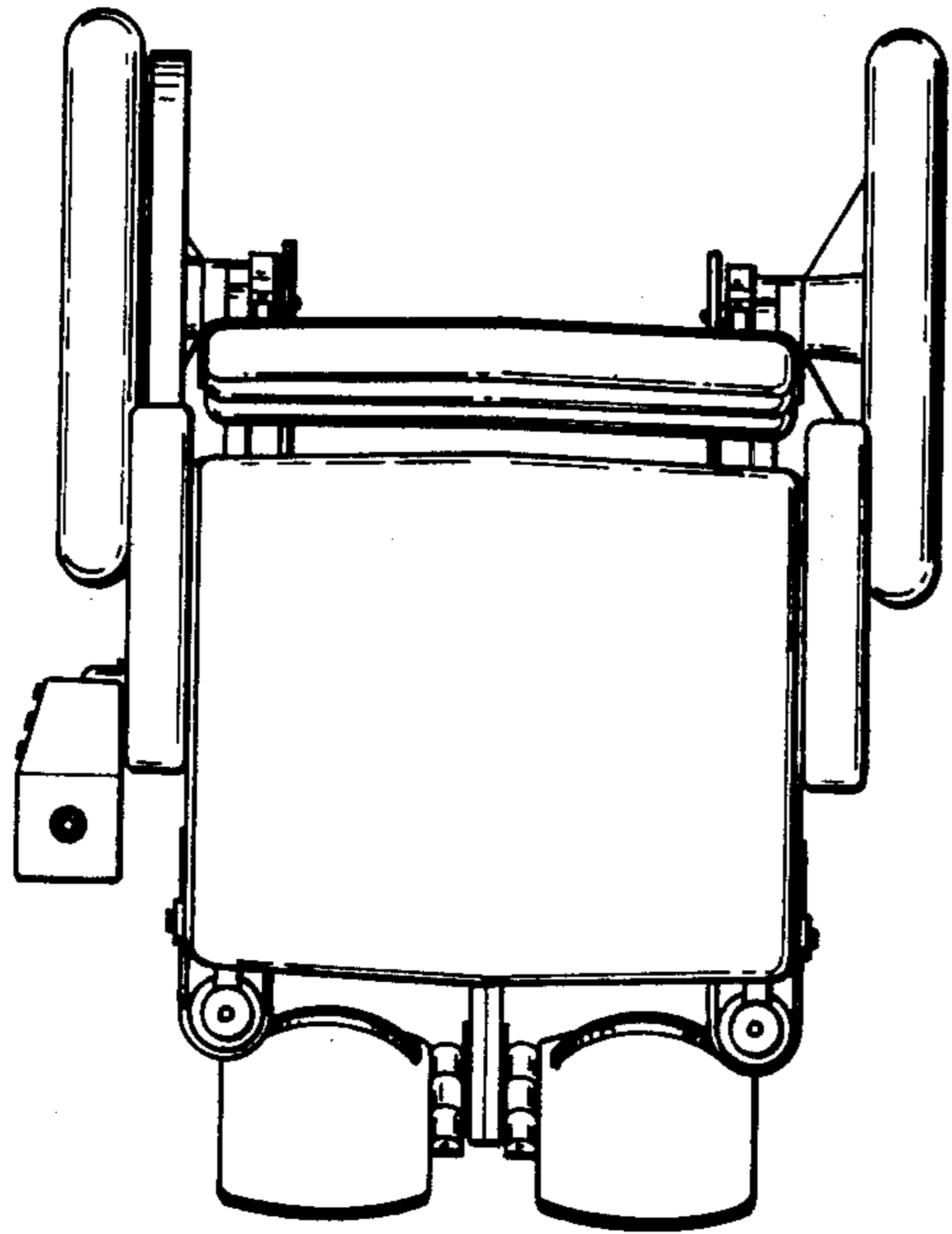
Fig. 1



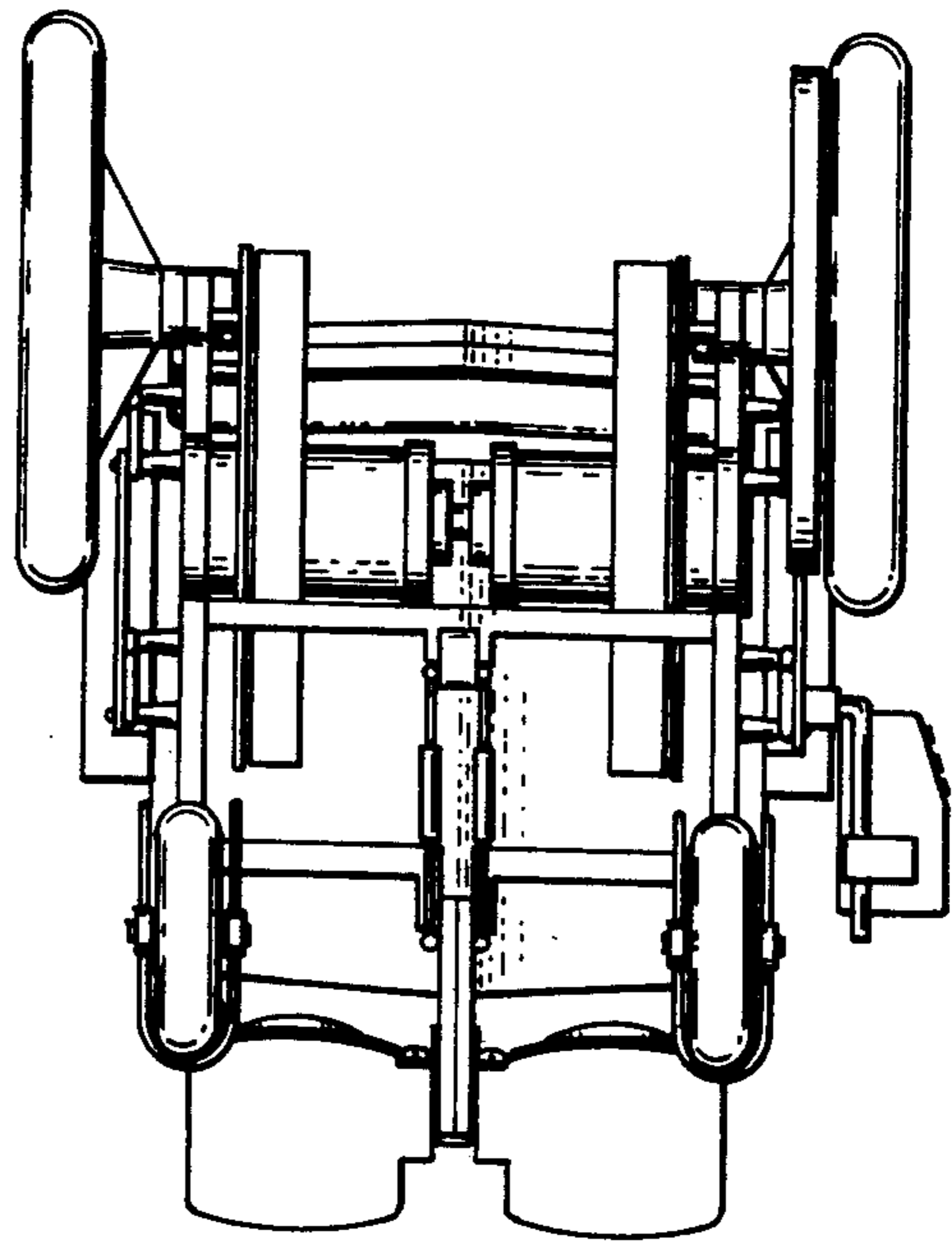
*Fig. 2*



*Fig. 3*



*Fig. 4*



*Fig. 5*