

[54] PORTABLE ULTRASONIC GENERATOR UNIT

[76] Inventor: Robert J. Lindquist, 605 S. Lucerne Blvd., Los Angeles, Calif. 90020

[\*\*] Term: 14 Years

[21] Appl. No.: 647,618

[22] Filed: Jan. 8, 1976

[51] Int. Cl. .... D10-06; D13-03X

[52] U.S. Cl. .... D10/116

[58] Field of Search .... D10/106, 116, 120; D26/5 A, 5 R; 116/137 R, 137 A, 138; 340/283, 258 R, 258 A, 273, 276

[56]

References Cited

U.S. PATENT DOCUMENTS

2,851,680	9/1958	Cavera .....	340/283
3,017,849	1/1962	Grossenheider .....	116/137 A
3,028,830	4/1962	Grundmann .....	116/137 A
D. 190,148	4/1961	Reuben .....	D10/120 X

Primary Examiner—Susan J. Lucas  
Attorney, Agent, or Firm—R. Welton Whann

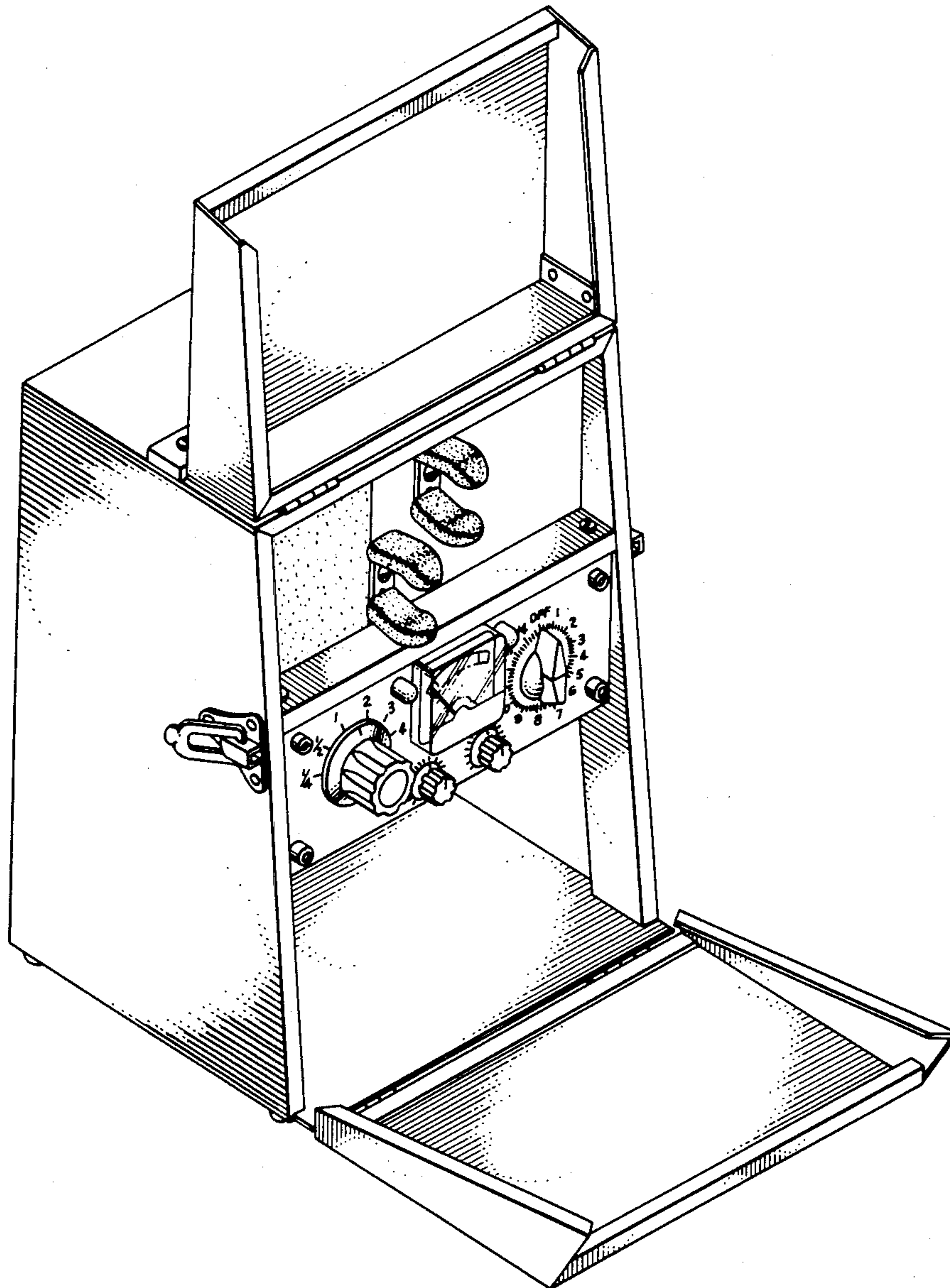
[57]

CLAIM

The ornamental design for a portable ultrasonic generator unit, as shown and described.

DESCRIPTION

FIG. 1 is a front perspective view showing my new design for a portable ultrasonic generator unit, the front panels being in closed position; FIG. 2 is a rear elevational view thereof; FIG. 3 is a bottom plan view thereof; and FIG. 4 is a front perspective view thereof, showing the front panels in opened position.



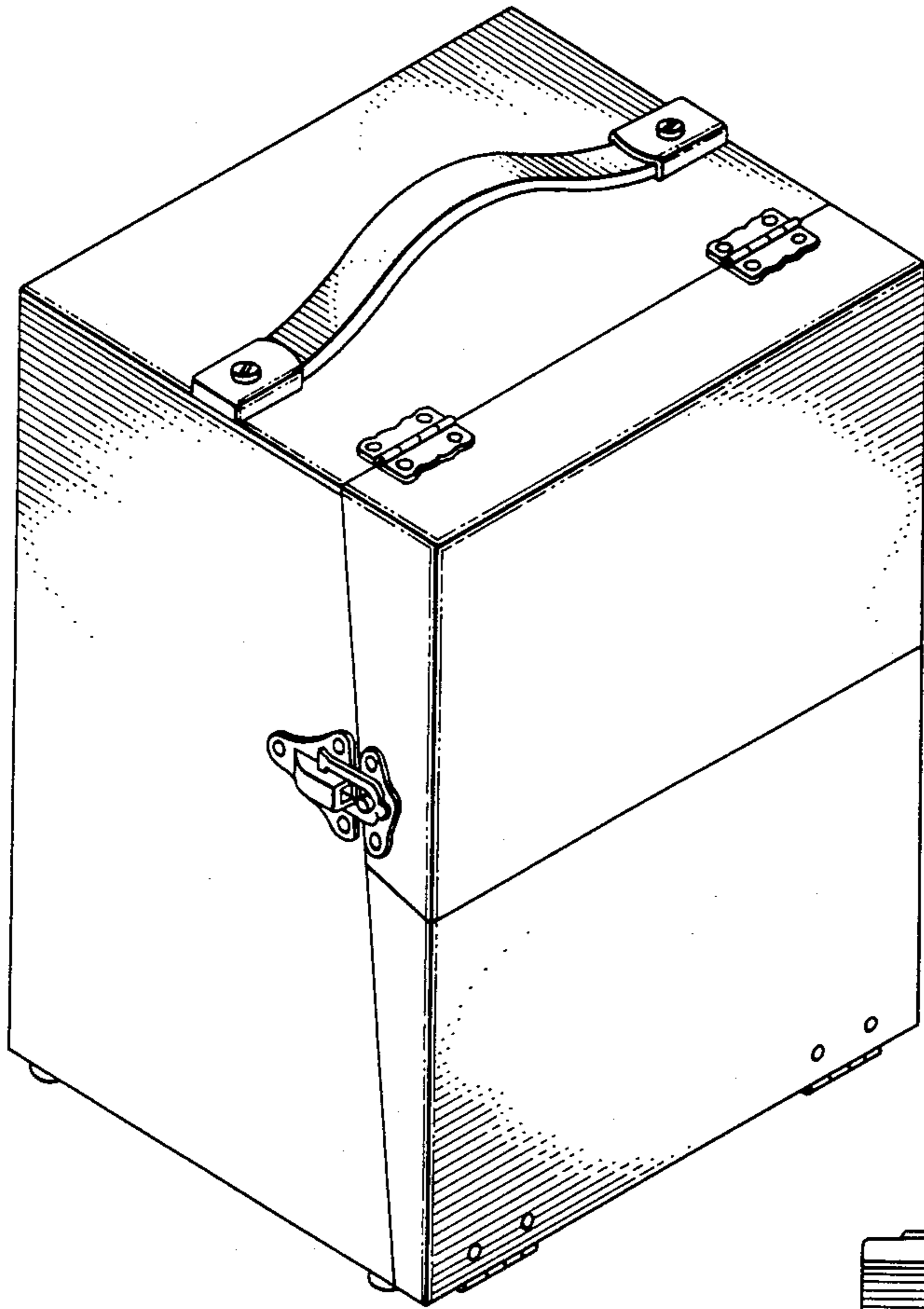


FIG. 1.

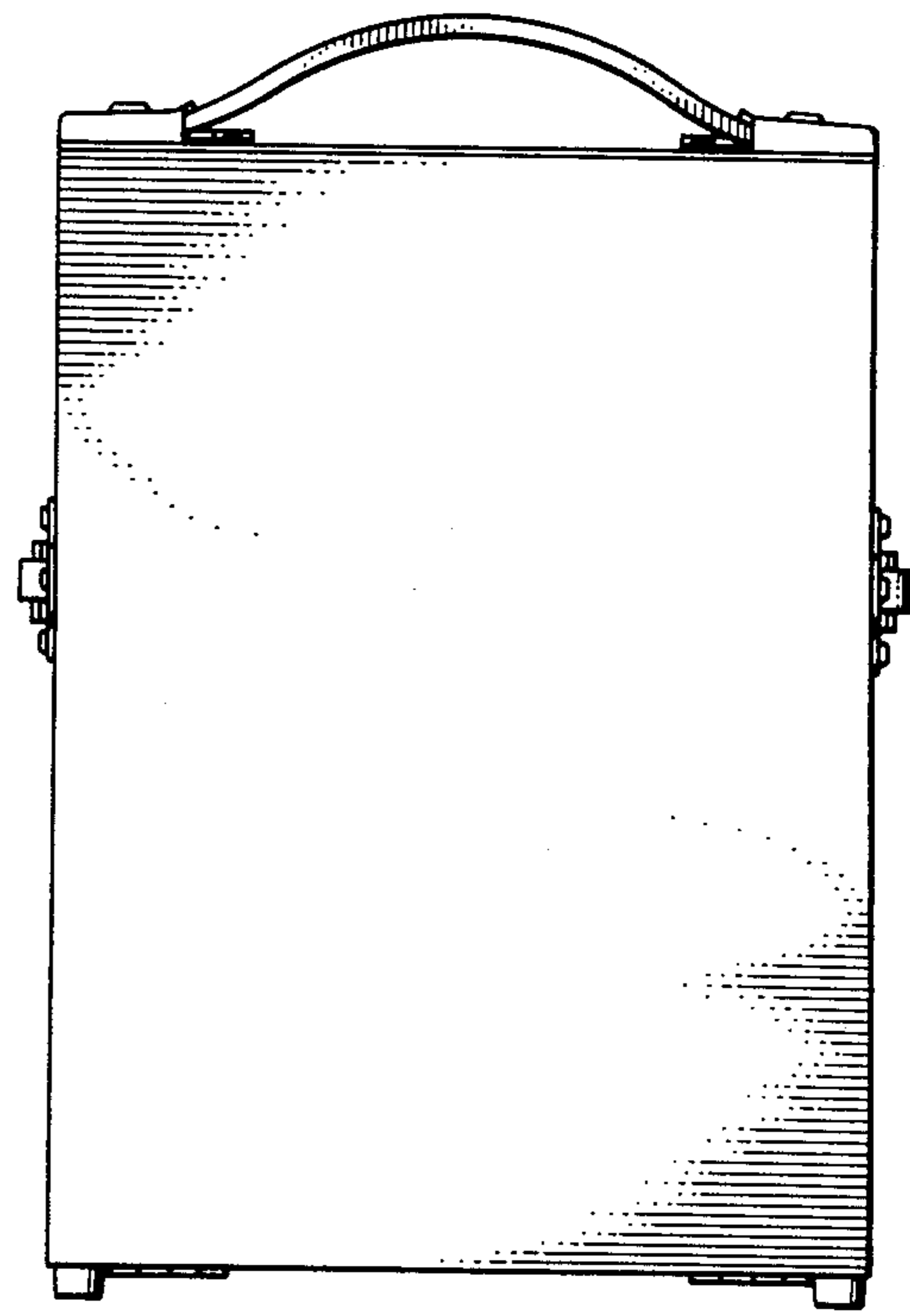


FIG. 2.

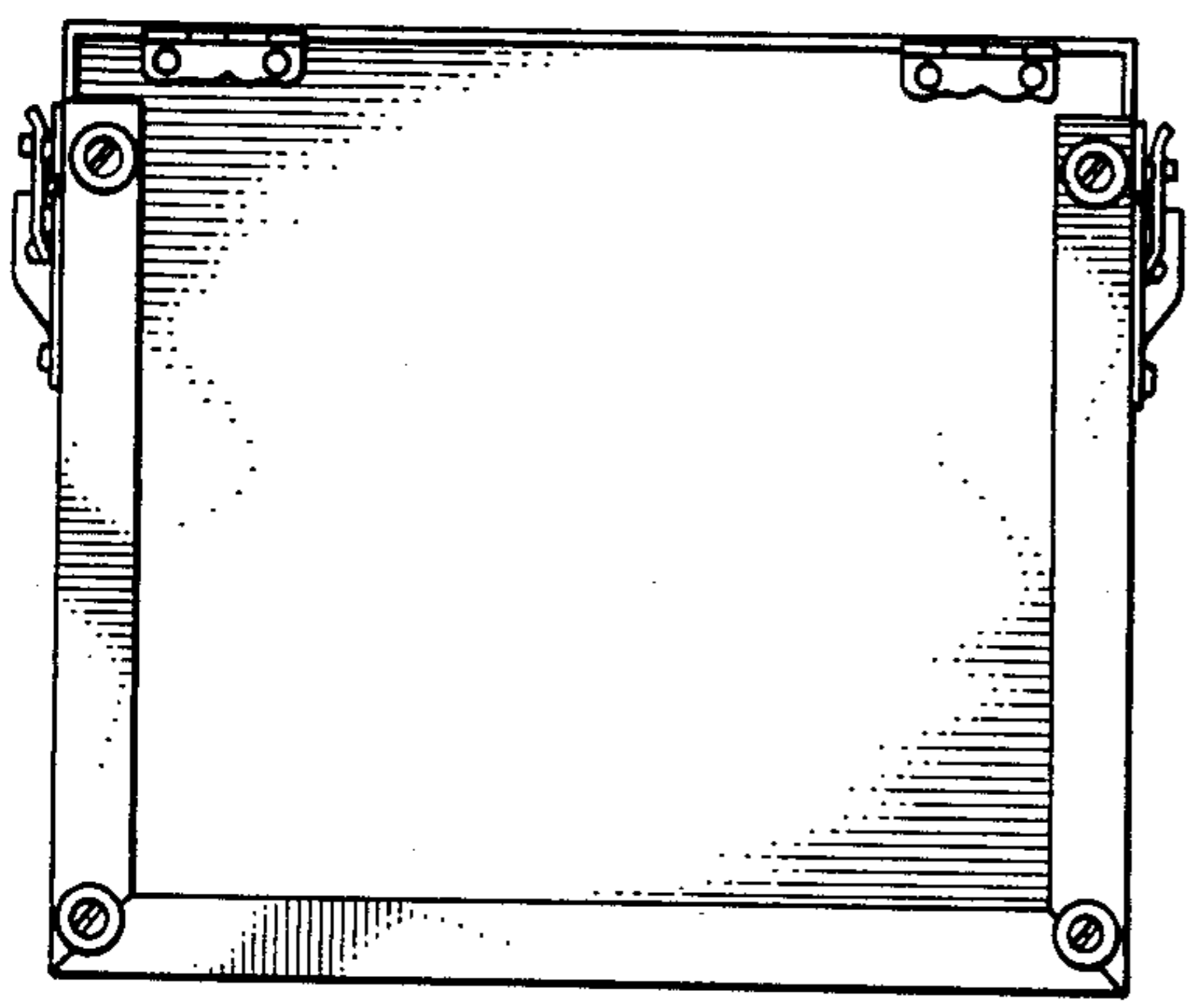


FIG. 3.

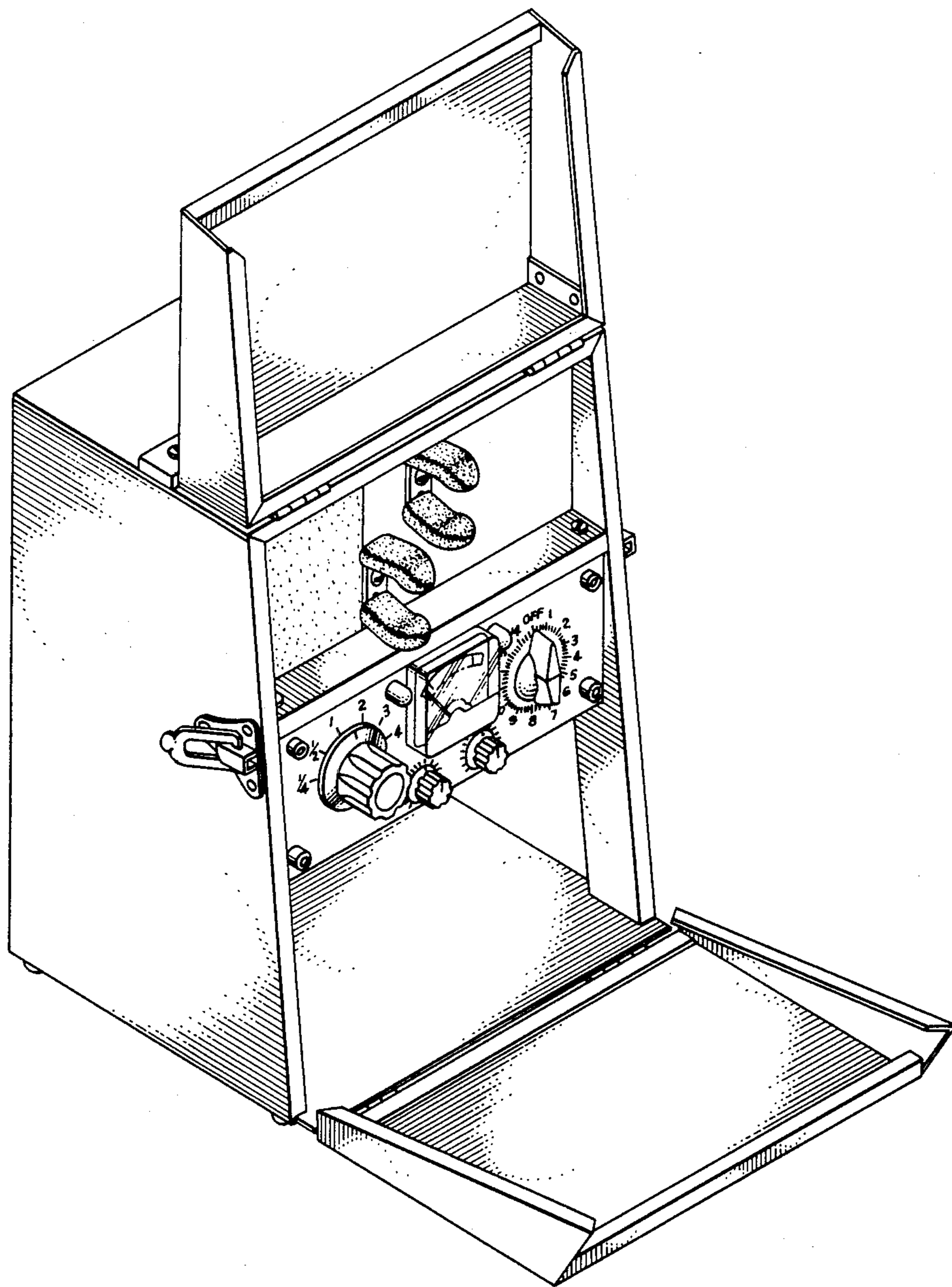


FIG. 4.