

[54] **LIQUID DISPENSER**

[75] Inventor: **George Malcolm McConnell**, New York, N.Y.

[73] Assignee: **Pfizer Inc.**, New York, N.Y.

[\*\*] Term: **14 Years**

[21] Appl. No.: **531,230**

[22] Filed: **Dec. 10, 1974**

[51] Int. Cl. .... **D9-01**

[52] U.S. Cl. .... **D9/131**

[58] Field of Search ..... **D9/1-169,  
D9/275-279**

[56]

**References Cited**

**U.S. PATENT DOCUMENTS**

2,077,218	4/1937	Conner .....	D9/164 X
3,128,029	4/1964	Price et al. ....	D9/220 X
D. 230,387	2/1974	Doman et al. ....	D9/220

*Primary Examiner*—Robert C. Spangler

*Attorney, Agent, or Firm*—Arthur G. Connolly

[57]

**CLAIM**

The ornamental design for a liquid dispenser, as shown and described.

**DESCRIPTION**

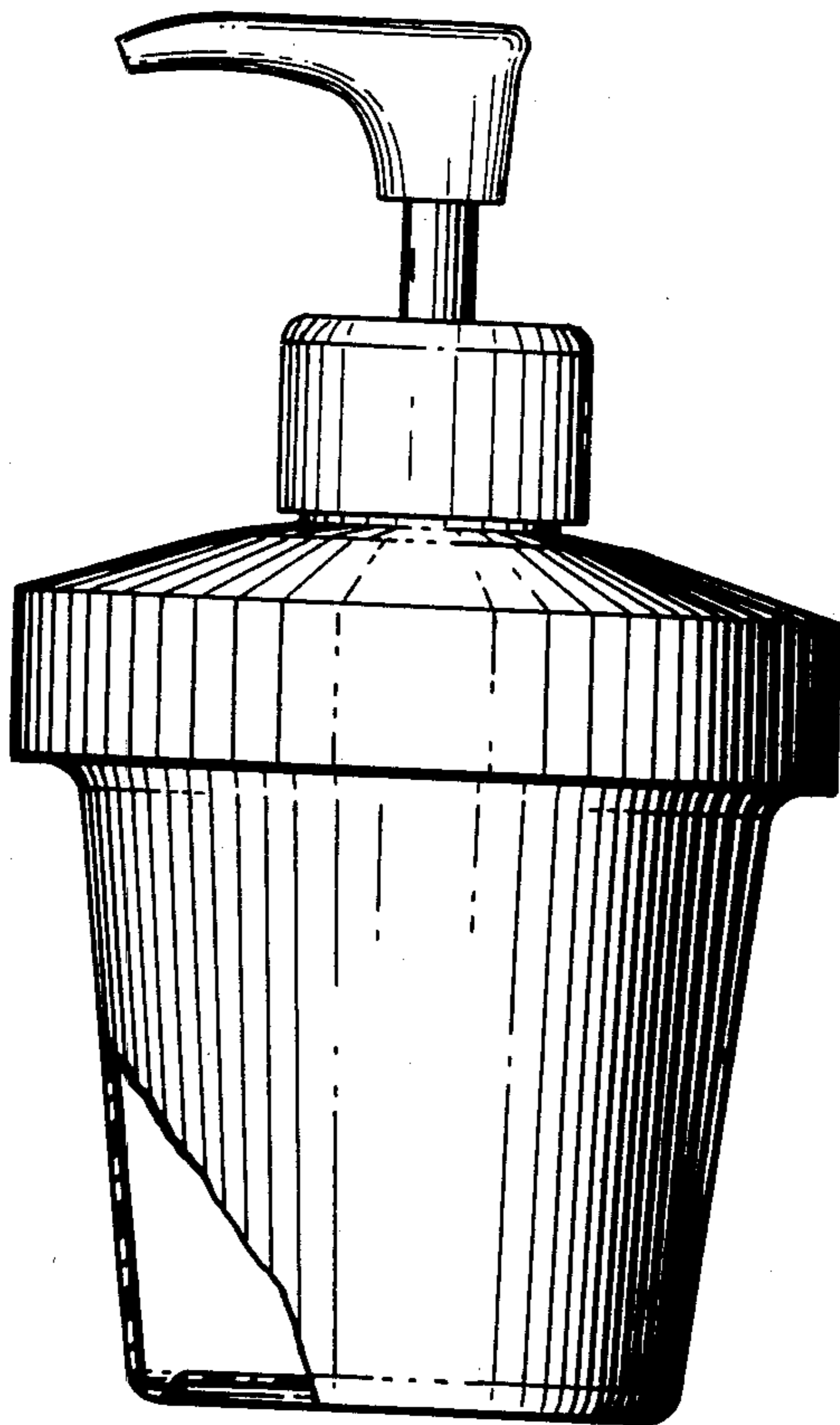
FIG. 1 is an elevational view with a portion broken away of a liquid dispenser showing my new design;

FIG. 2 is a top plan view;

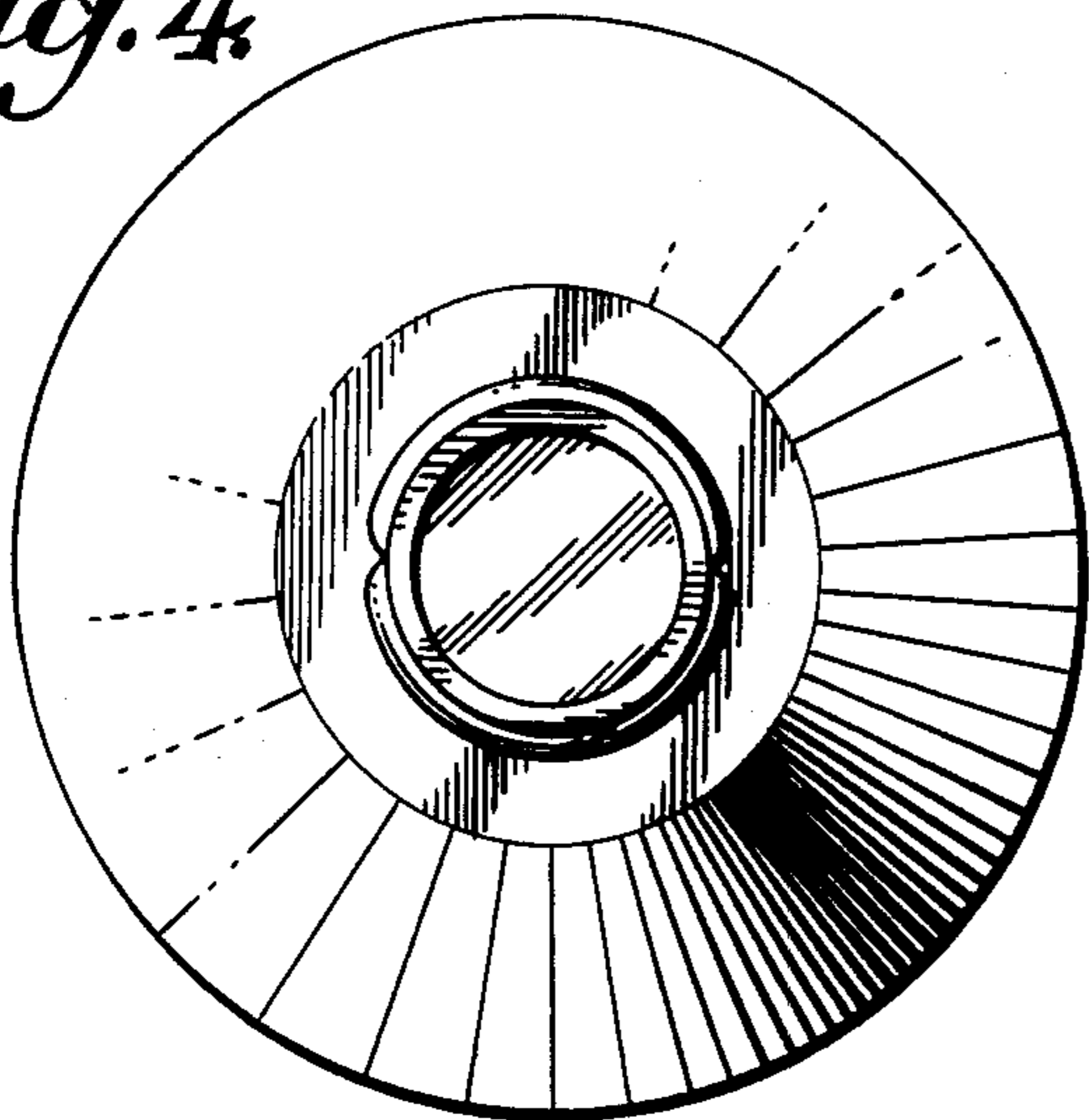
FIG. 3 is an elevational view with the closure removed;

FIG. 4 is a top plan view thereof; and

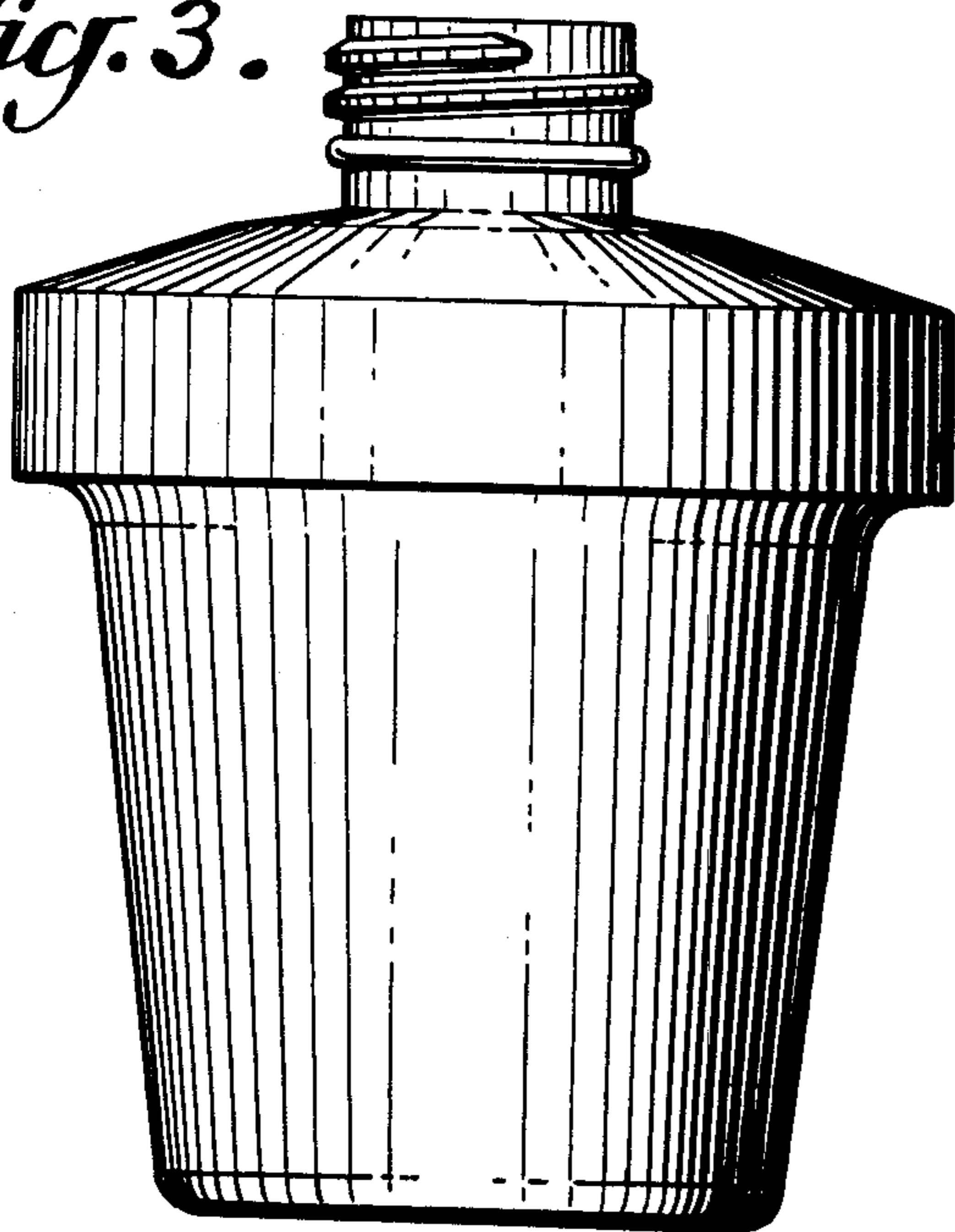
FIG. 5 is a bottom plan view.



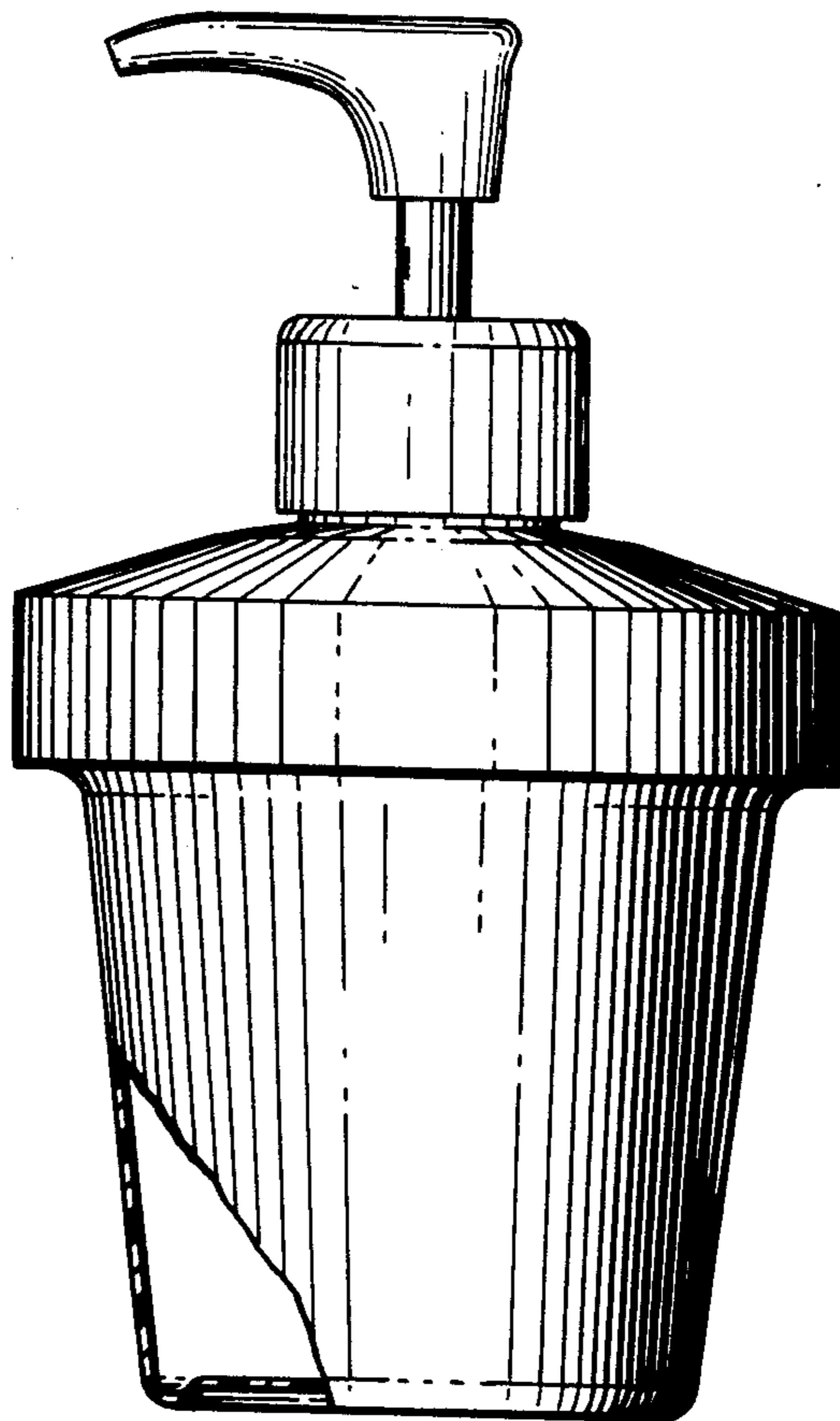
*Fig. 4.*



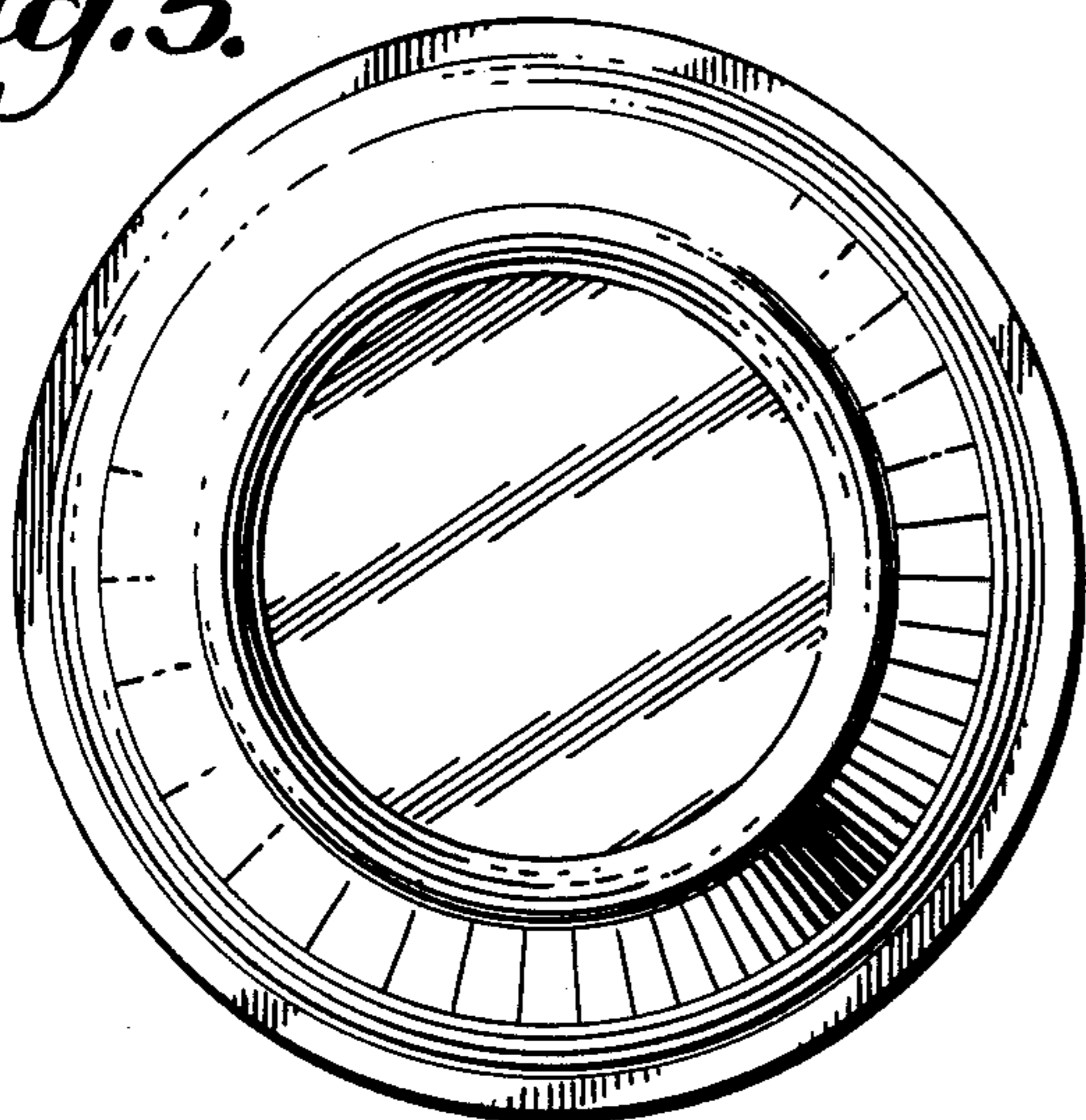
*Fig. 3.*



*Fig. 1.*



*Fig. 5.*



*Fig. 2.*

