

[54] DOORKNOCKER OR SIMILAR ARTICLE

[76] Inventor: Francis M. Fenice, 1026 Edgerton Road, Secane, Pa. 19018

[**] Term: 14 Years

[21] Appl. No.: 714,638

[22] Filed: Aug. 16, 1976

[51] Int. Cl. D8-09; D10-06

[52] U.S. Cl. D8/178

[58] Field of Search D8/177, 178, 401; 116/148, 167

[56] References Cited

U.S. PATENT DOCUMENTS

D. 240,012 5/1976 Lingley D8/178

Primary Examiner—William N. Wertman

Attorney, Agent, or Firm—Robert D. Yeager

[57] CLAIM

The ornamental design for a doorknocker or similar article, substantially as shown and described.

DESCRIPTION

FIG. 1 is an isometric view of a doorknocker or similar article embodying my new design;

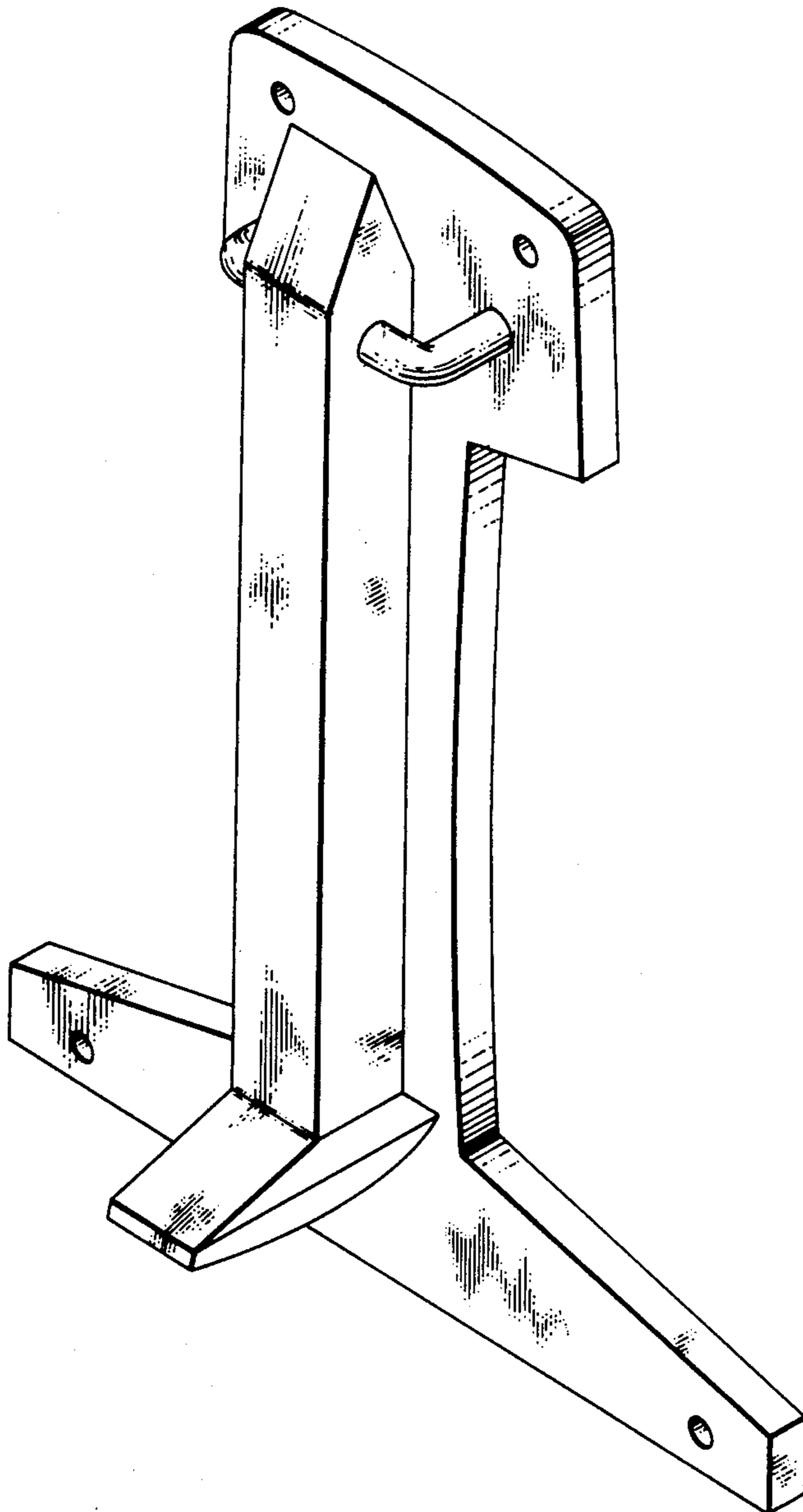
FIG. 2 is a front view of the doorknocker or similar article shown in FIG. 1;

FIG. 3 is a side view of the doorknocker or similar article shown in FIG. 1;

FIG. 4 is a bottom view of the doorknocker or similar article shown in FIG. 1; and

FIG. 5 is a top view of the doorknocker or similar article shown in FIG. 1.

The back side of the doorknocker or similar article is hidden from view in normal use.



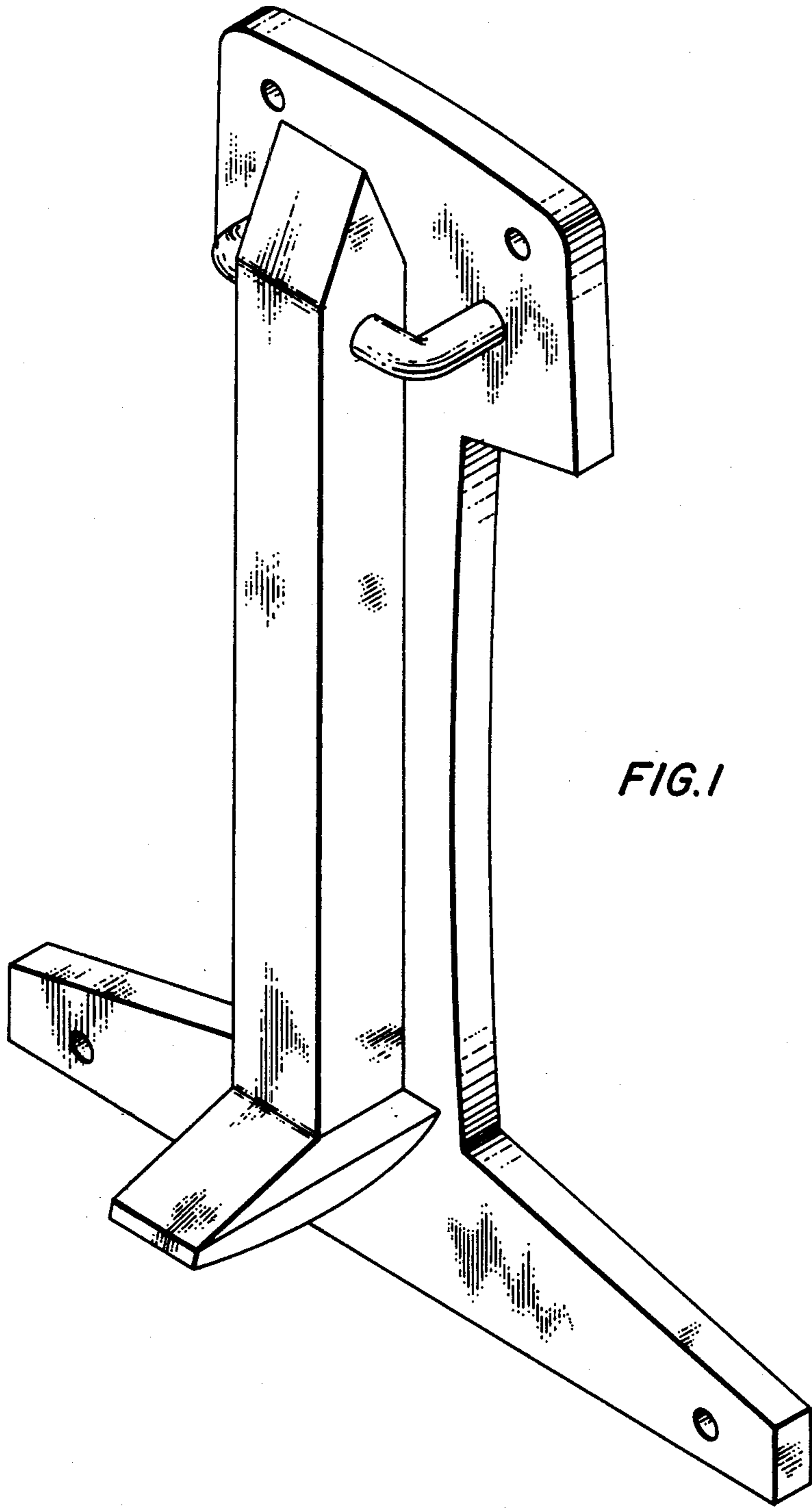


FIG. 1

FIG.5

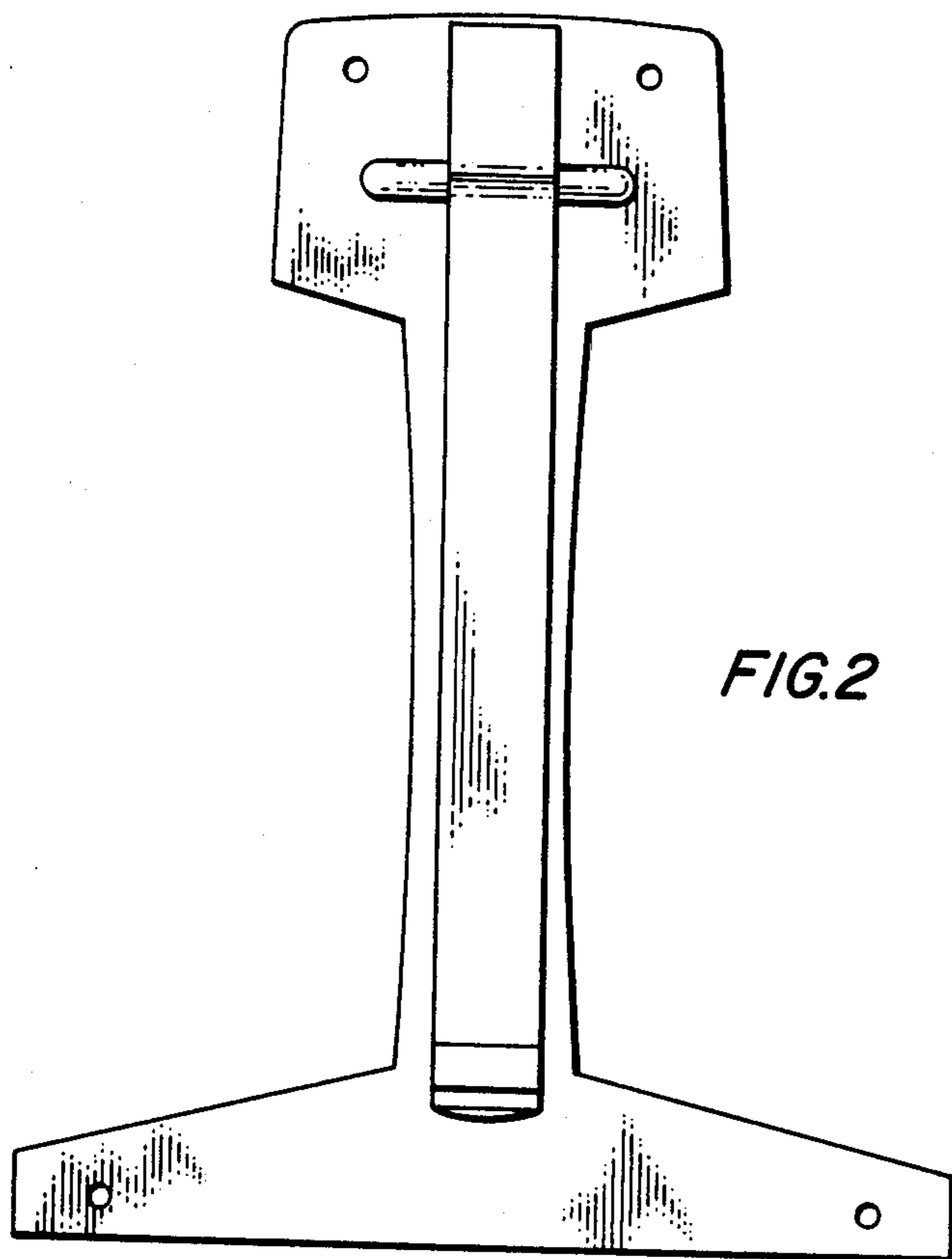
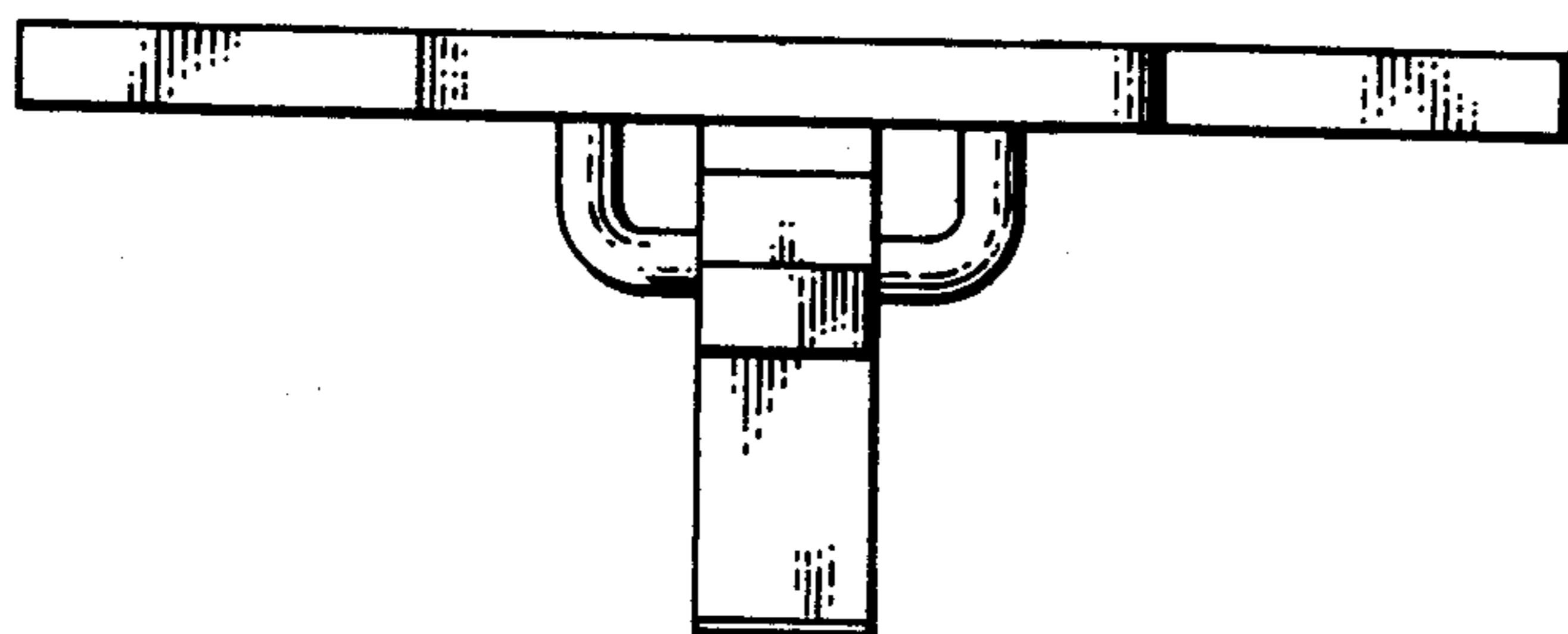


FIG.2

FIG.3

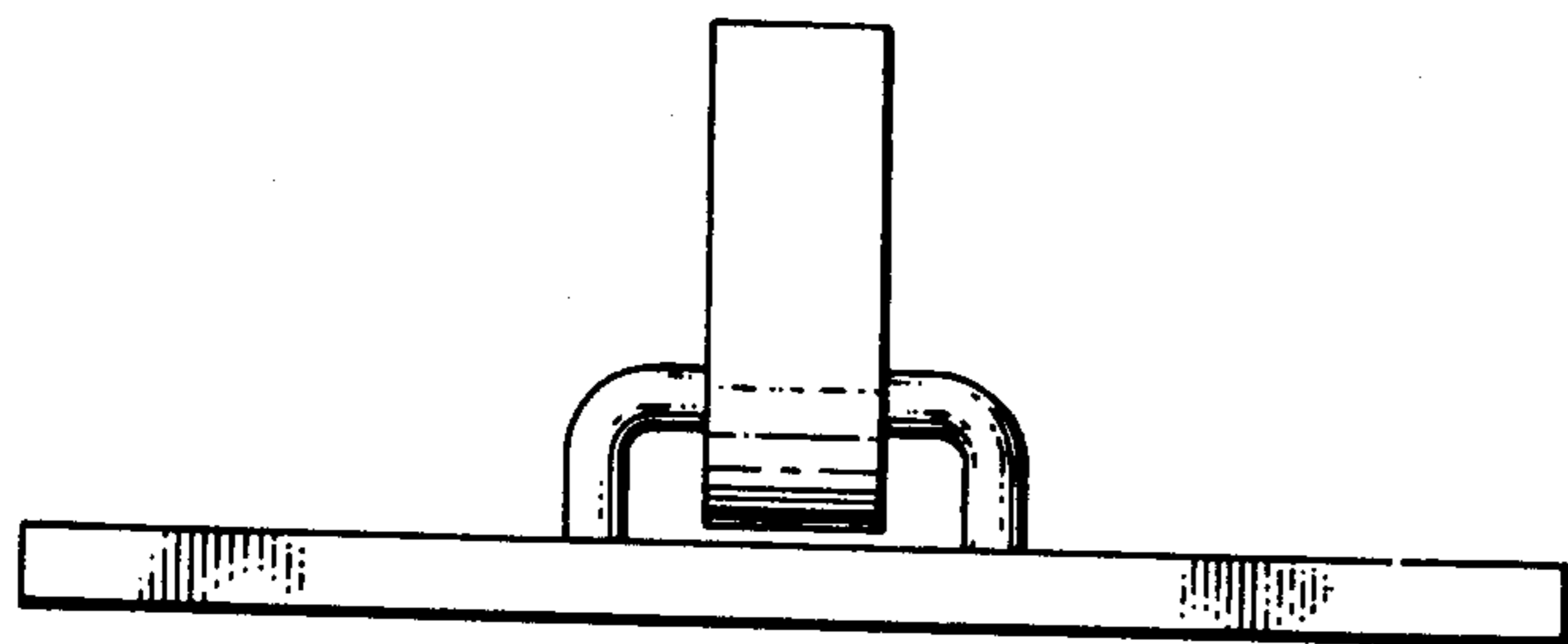


FIG.4