

[54] DIVER'S TOOL

[76] Inventor: Richard P. Rauth, 205 E. Clifton Ave., Anaheim, Calif. 92805

[\*\*] Term: 14 Years

[21] Appl. No.: 668,932

[22] Filed: Mar. 22, 1976

[51] Int. Cl. .... D8-05

[52] U.S. Cl. .... D8/16

[58] Field of Search ..... D8/105, 16, 17, 19; 7/1 R, 1 H

[56] References Cited

U.S. PATENT DOCUMENTS

2,353,662 7/1944 Goldman ..... 7/1 R X  
D. 174,896 6/1955 Carter ..... D8/17

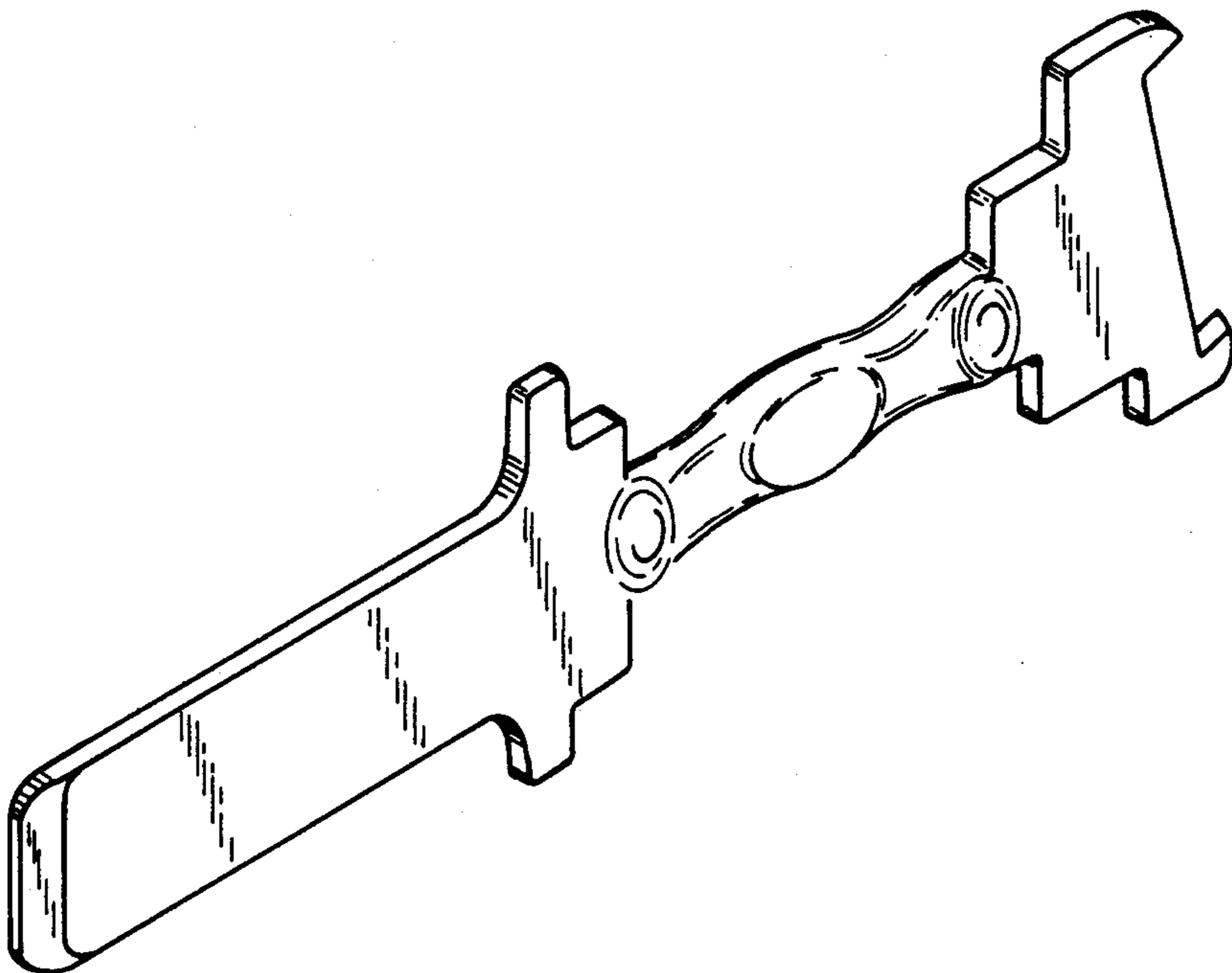
Primary Examiner—Alan P. Douglas

[57] CLAIM

The ornamental design for a diver's tool, as substantially shown.

DESCRIPTION

FIG. 1 shows a perspective view of my new and ornamental design for a diver's tool;  
FIG. 2 shows a side elevation view of my invention in the same direction as seen in the perspective view of FIG. 1;  
FIG. 3 shows a bottom view looking upwardly at the perspective view of FIG. 1;  
FIG. 4 shows a side elevation view on the opposite side from that shown in the perspective view of FIG. 1;  
FIG. 5 shows an end view of my design for a diver's tool in the direction of lines 5—5 of FIG. 2; and,  
FIG. 6 shows an end view in the opposite direction from that of FIG. 5.



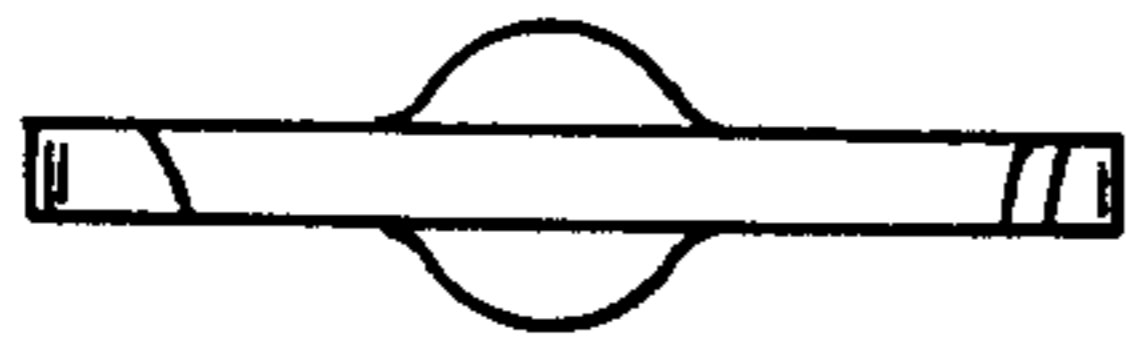


FIG. 5

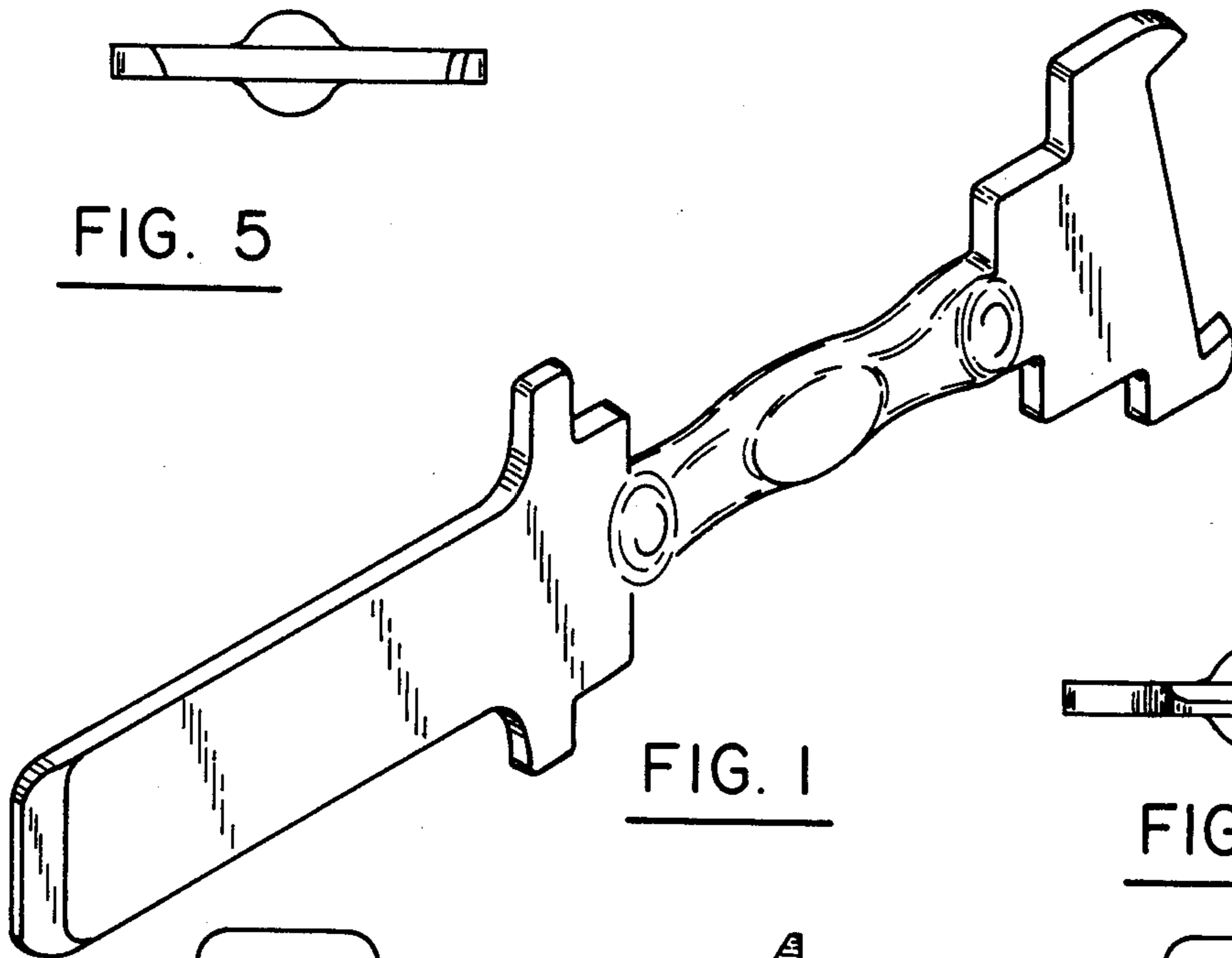


FIG. 1

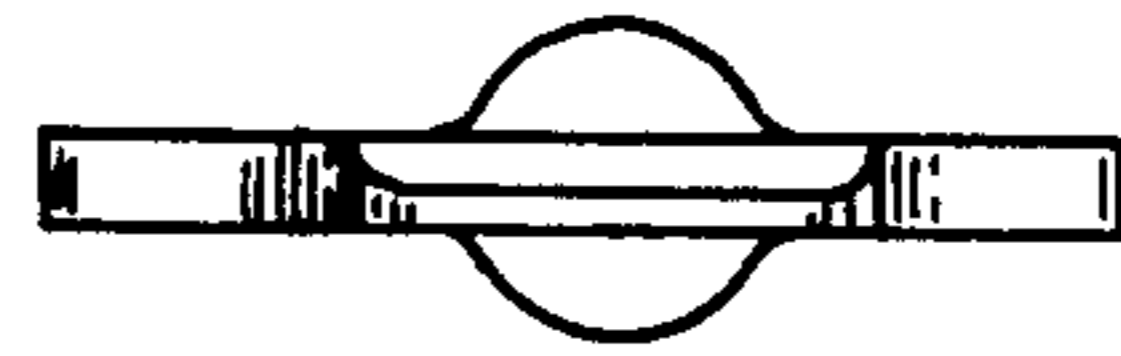


FIG. 6

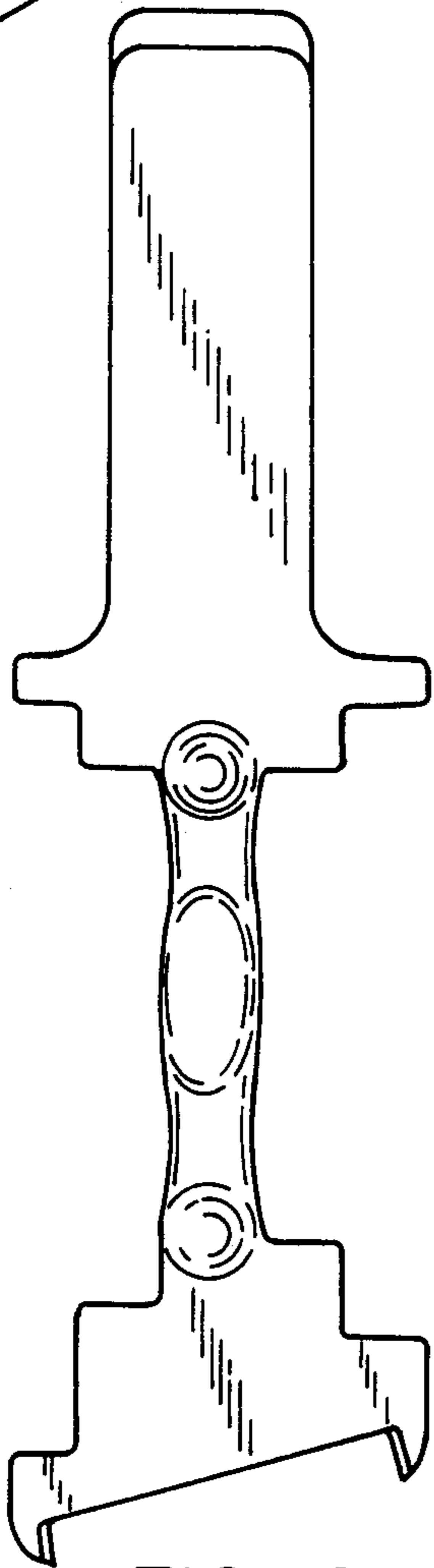


FIG. 2



FIG. 3

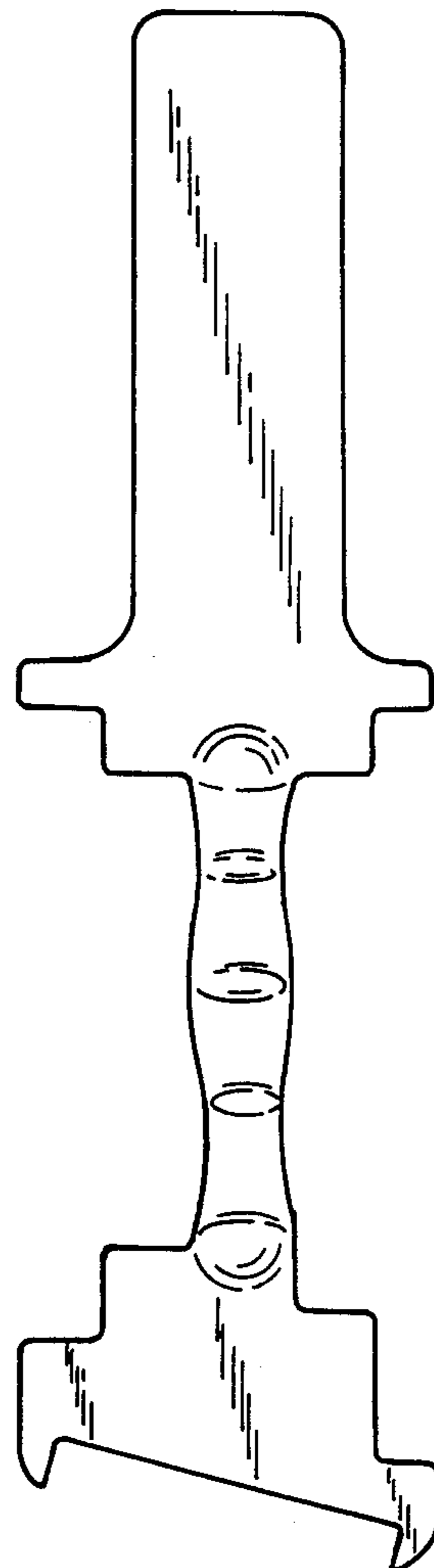


FIG. 4