

[54] FRAME FOR A FURNITURE ARM

[75] Inventor: Charles P. Bohan, Wilmington, Del.

[73] Assignee: Hercules Incorporated, Wilmington, Del.

[\*\*] Term: 14 Years

[21] Appl. No.: 628,011

[22] Filed: Nov. 3, 1975

[51] Int. Cl. .... D6-06

[52] U.S. Cl. .... D6/195

[58] Field of Search ..... D6/67-78,  
D6/192, 194-196

[56] References Cited

U.S. PATENT DOCUMENTS

D. 217,910	6/1970	Harman .....	D6/192
D. 237,238	10/1975	Curtis et al. ....	D6/193
D. 237,239	10/1975	Curtis et al. ....	D6/193

Primary Examiner—Bruce W. Dunkins  
Attorney, Agent, or Firm—James W. Peterson

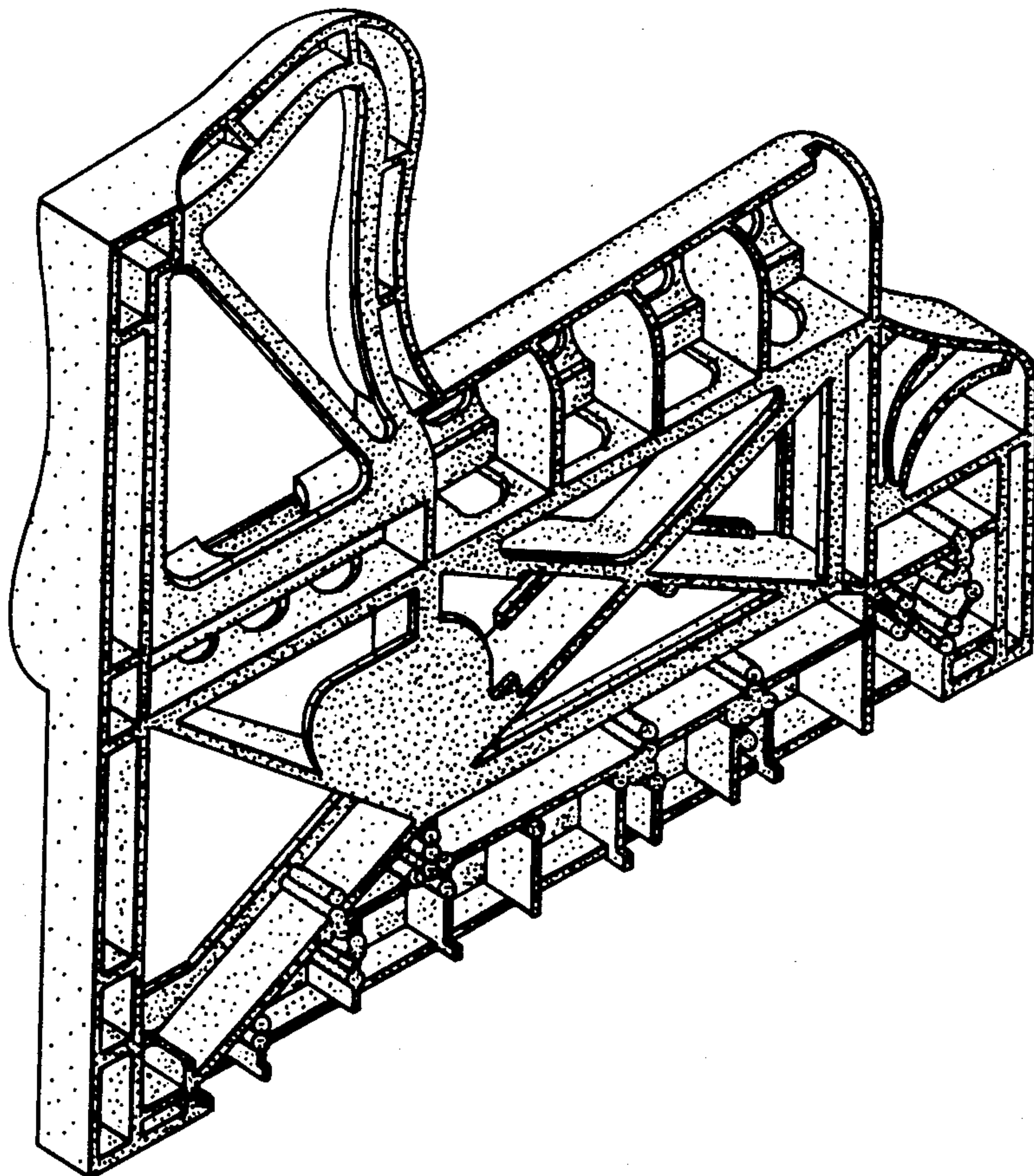
[57] CLAIM

The ornamental design for a frame for a furniture arm, as shown.

DESCRIPTION

FIG. 1 is a view of the outside of the frame for a furniture arm of the instant invention.

FIG. 2 is a view of the inside of the frame for a furniture arm of the instant invention.



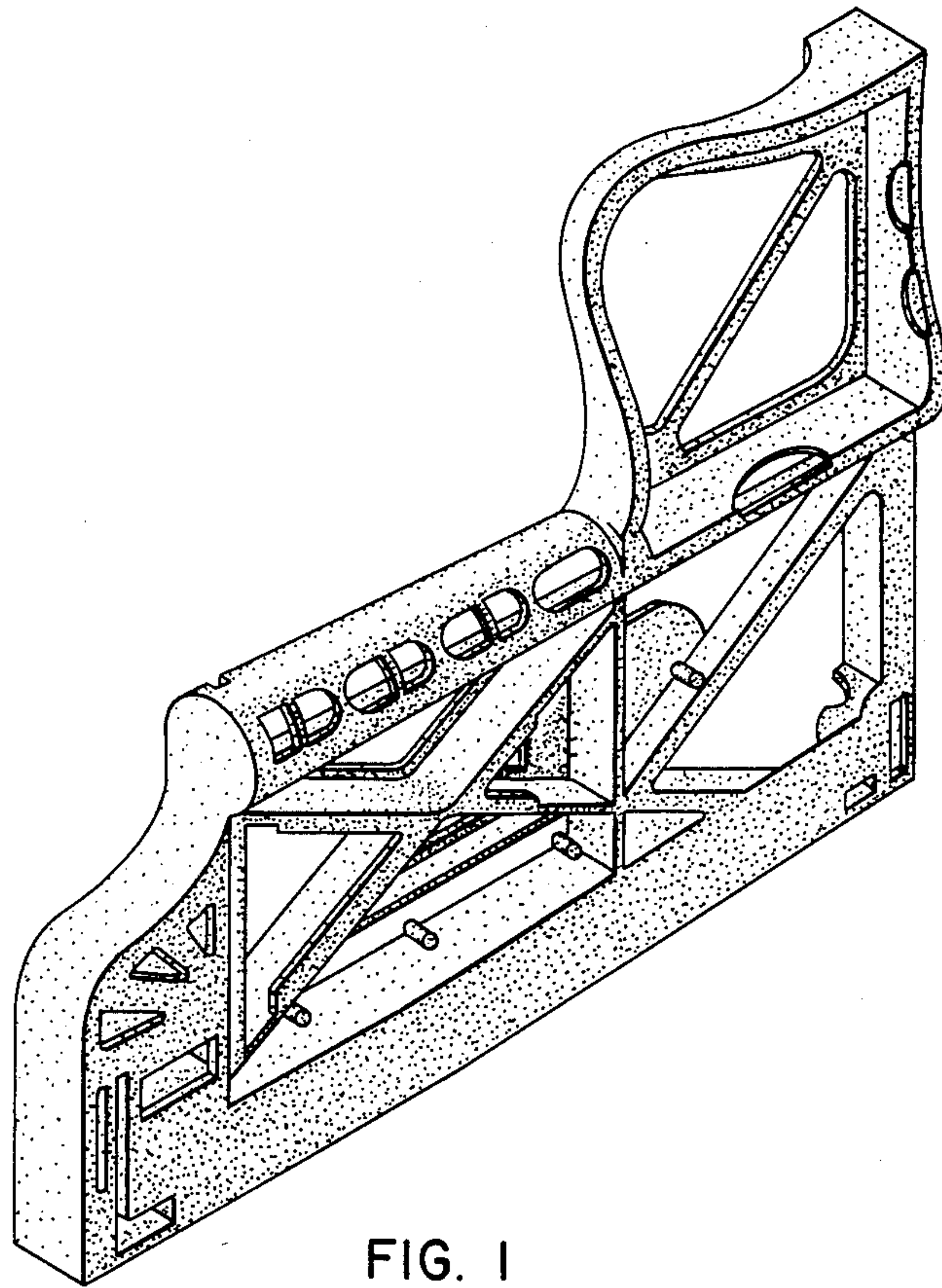


FIG. 1

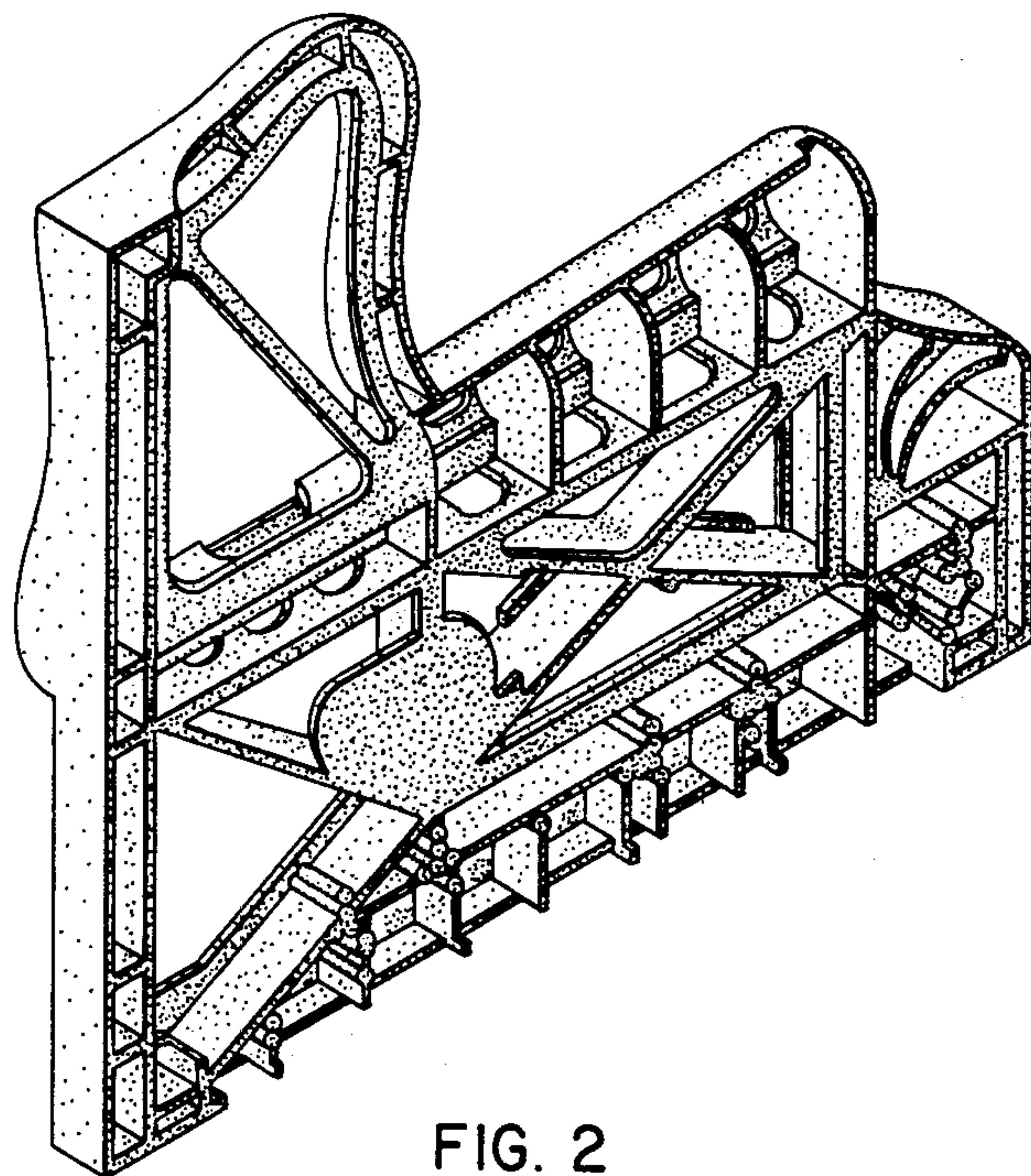


FIG. 2