

[54] DISPENSER FOR SCREWS, BOLTS AND THE LIKE

[76] Inventors: Charles L. Roark, 12934 Barto Drive, Granada Hills, Calif. 91344; Carl B. Bridges, 3254 Montrose Ave., La Crescenta, Calif. 91214

[\*\*] Term: 14 Years

[21] Appl. No.: 593,308

[22] Filed: July 7, 1975

[51] Int. Cl. .... D3-02

[52] U.S. Cl. .... D87/1 R

[58] Field of Search ..... D87/1 R; 211/86, 88; 108/43; D2/400; D9/242, 243, 244, 246; 224/5 R, 5 L, 26 B, 26 R; 206/338

[56] References Cited

U.S. PATENT DOCUMENTS

1,201,159	10/1916	Dettmer .....	224/26 B
2,098,374	11/1937	Bullock .....	211/86 UX
2,770,513	11/1956	Brown .....	211/88 UX
D. 212,402	10/1968	DeRousse .....	D87/1 R
D. 218,658	9/1970	Perkins et al. ....	D87/1 R

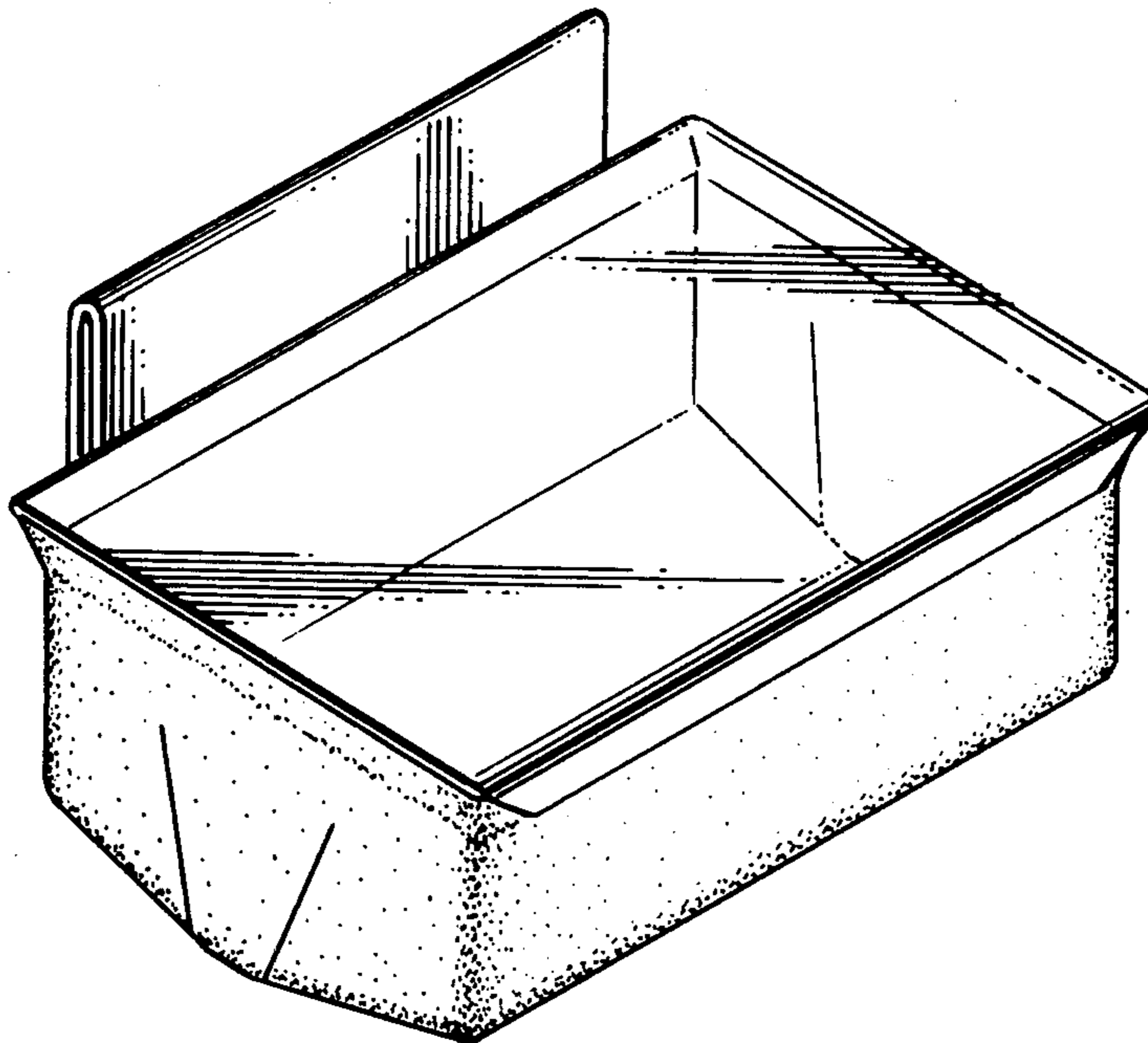
Primary Examiner—Wallace R. Burke  
Attorney, Agent, or Firm—Allan M. Shapiro

[57] CLAIM

The ornamental design for dispenser for screws, bolts and the like, substantially as shown.

DESCRIPTION

FIG. 1 is a front top perspective view of a dispenser for screws, bolts and the like, showing our new design; FIG. 2 is an end elevational view thereof; FIG. 3 is a top plan view thereof; FIG. 4 is a rear elevational view thereof; FIG. 5 is a bottom rear perspective view thereof; FIG. 6 is a bottom plan view thereof; and FIG. 7 is an exploded perspective view thereof.



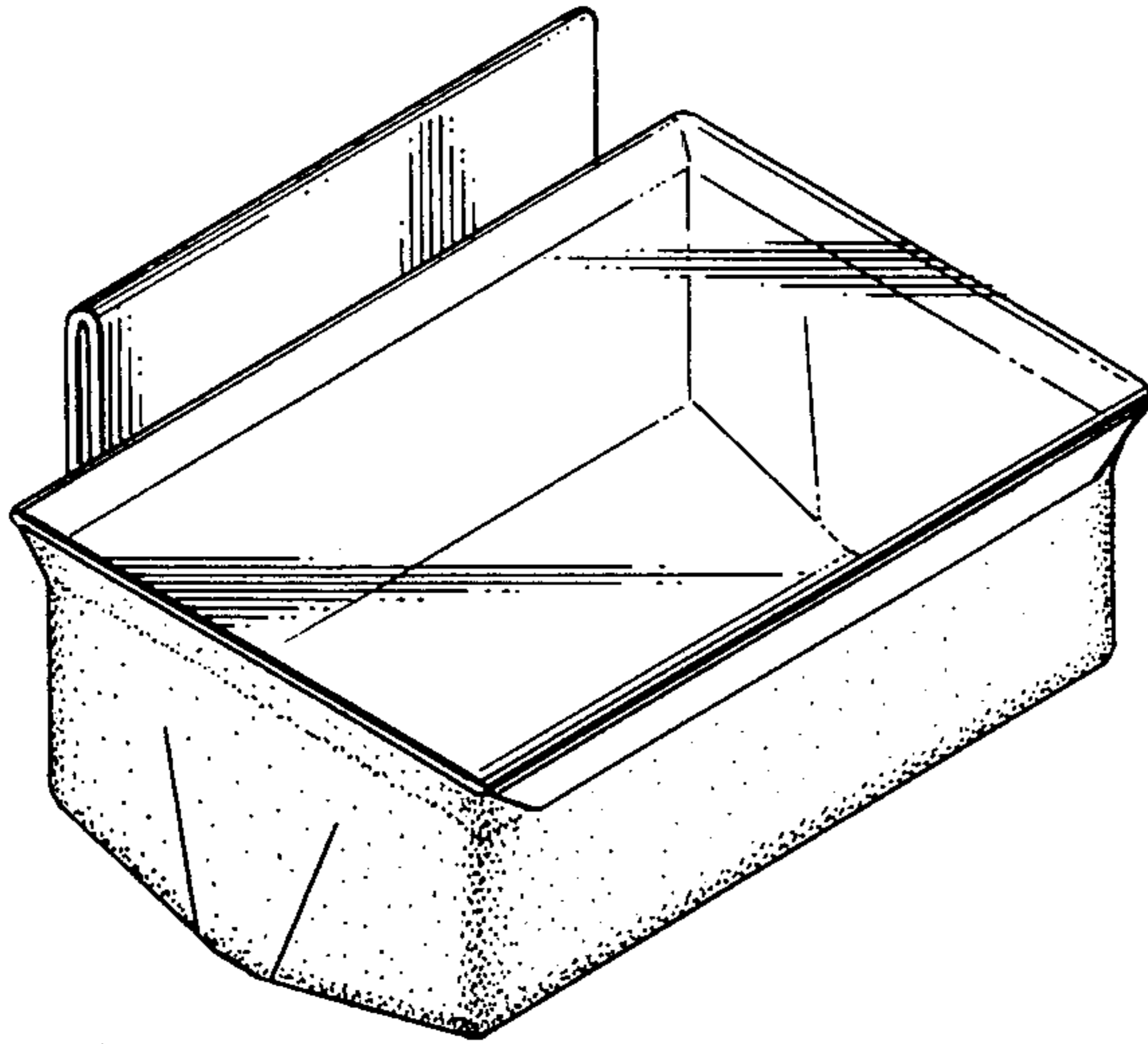


Fig. 1

Fig. 3

Fig. 2

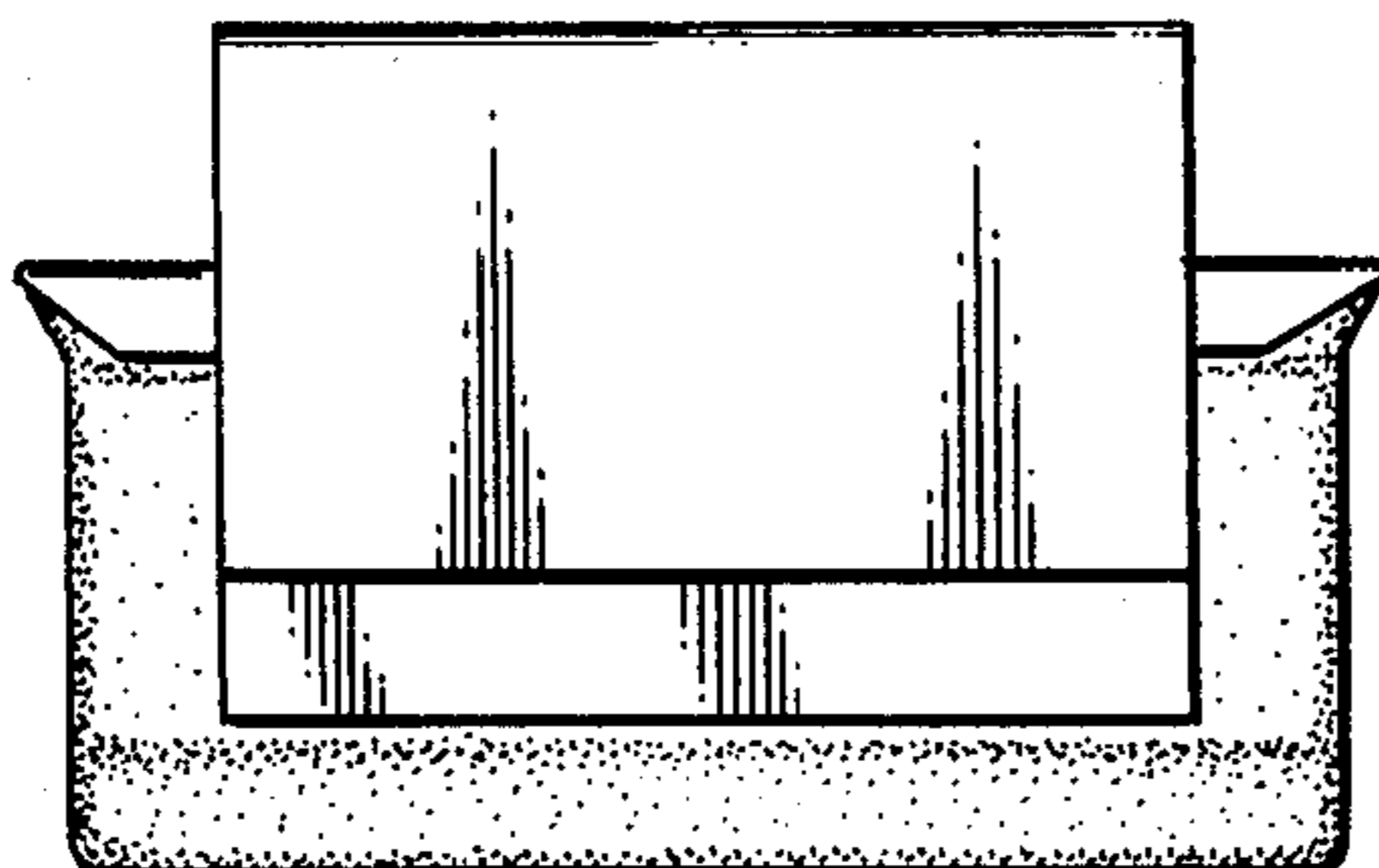
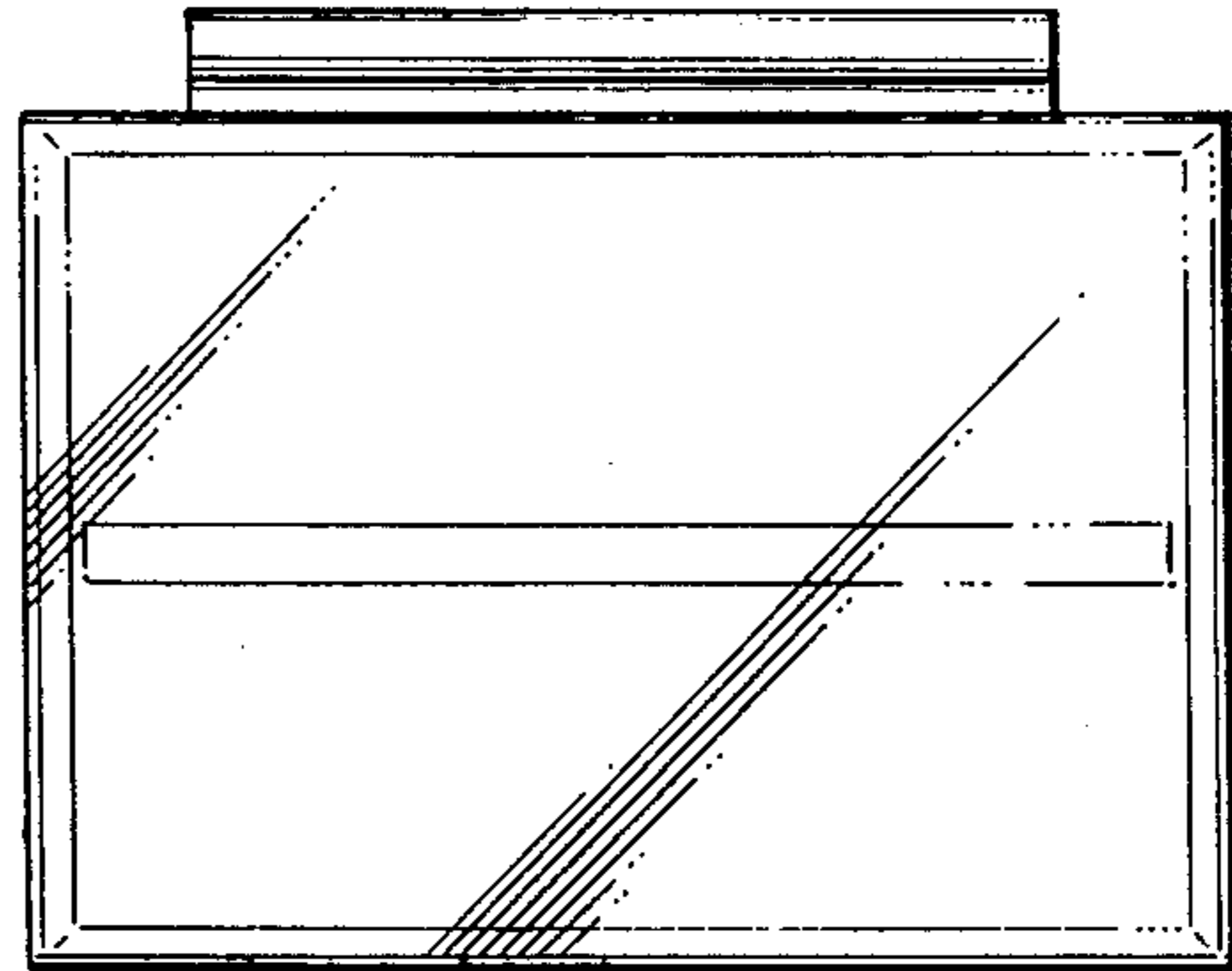
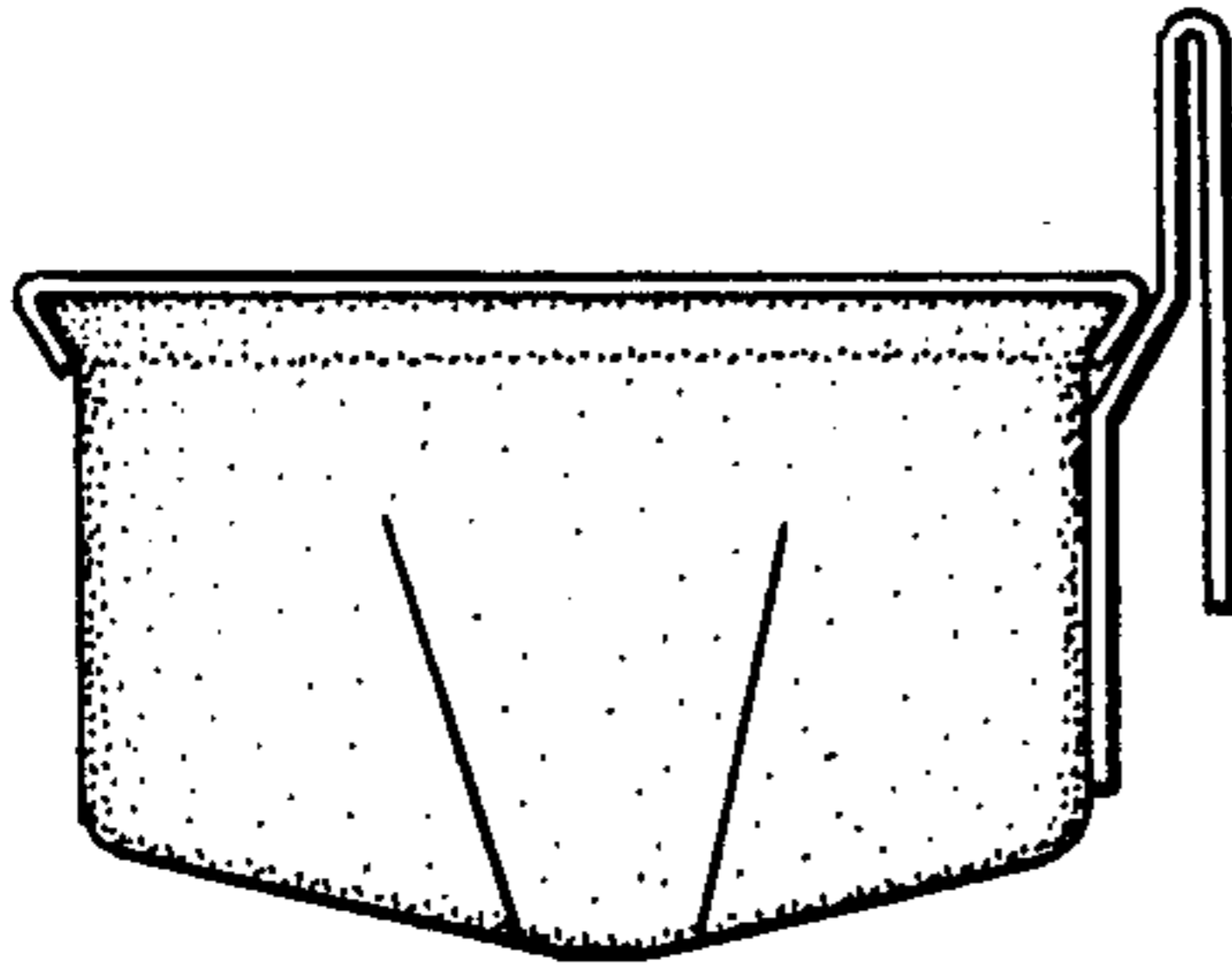


Fig. 4

Fig. 5

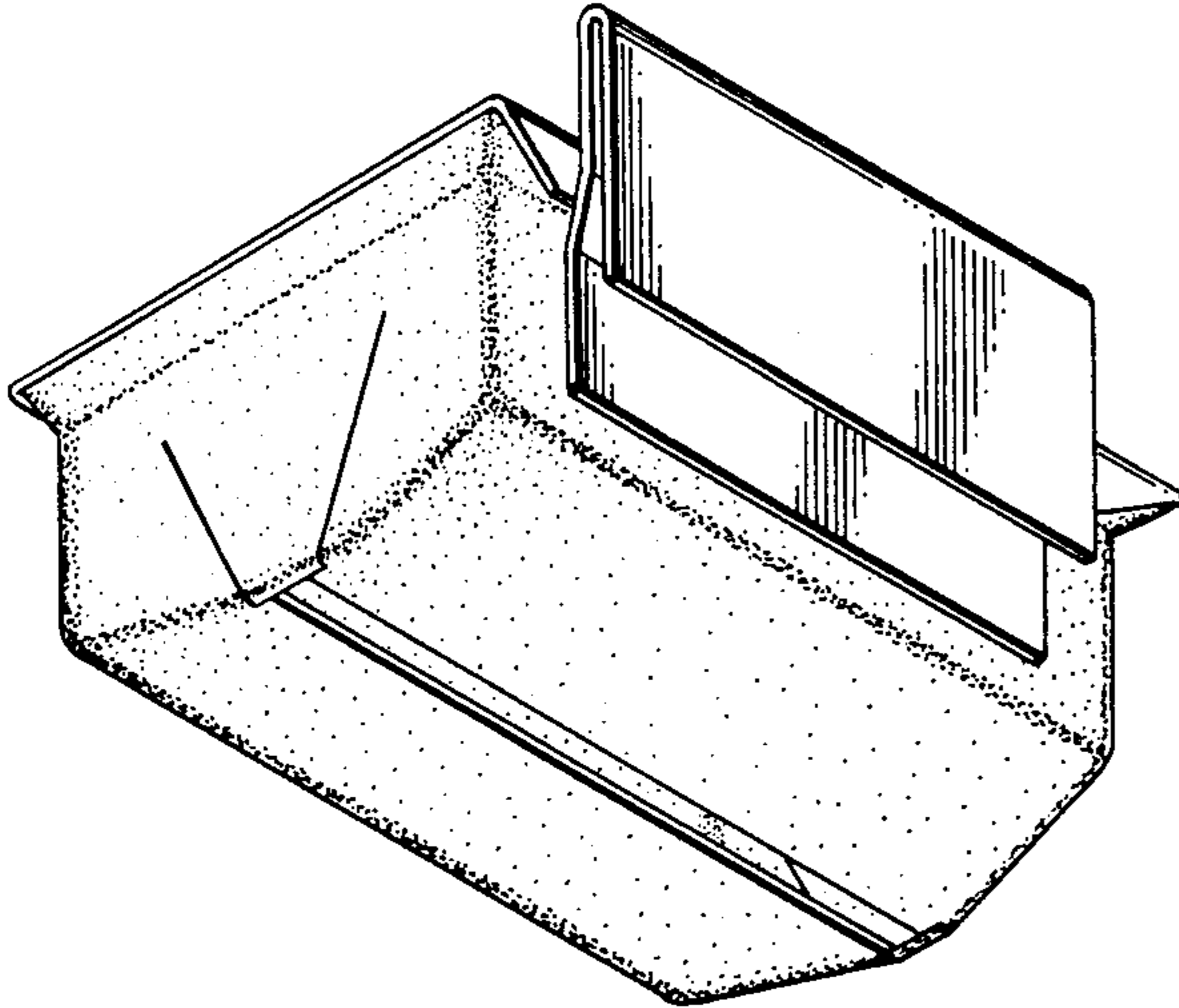


Fig. 6

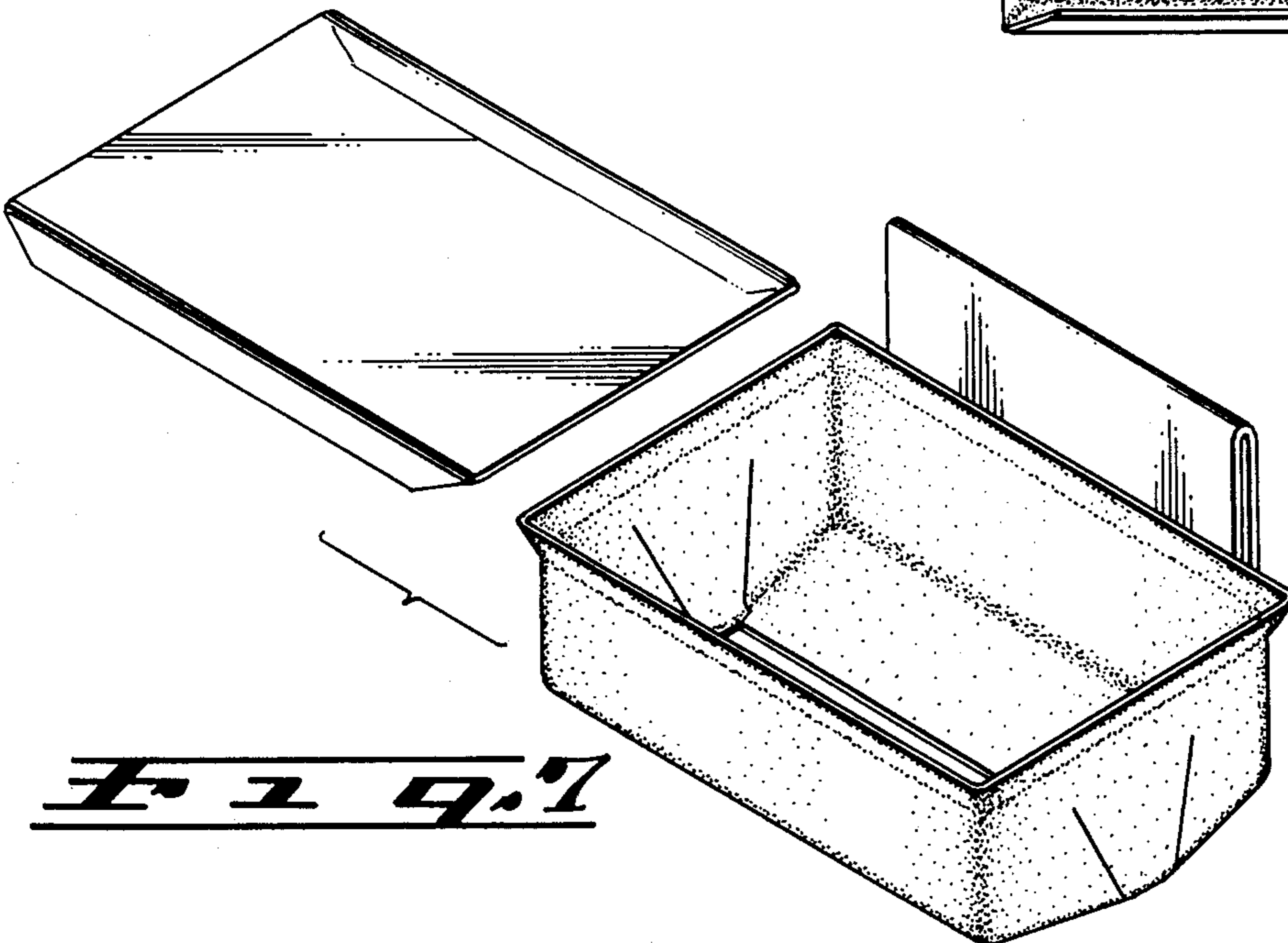
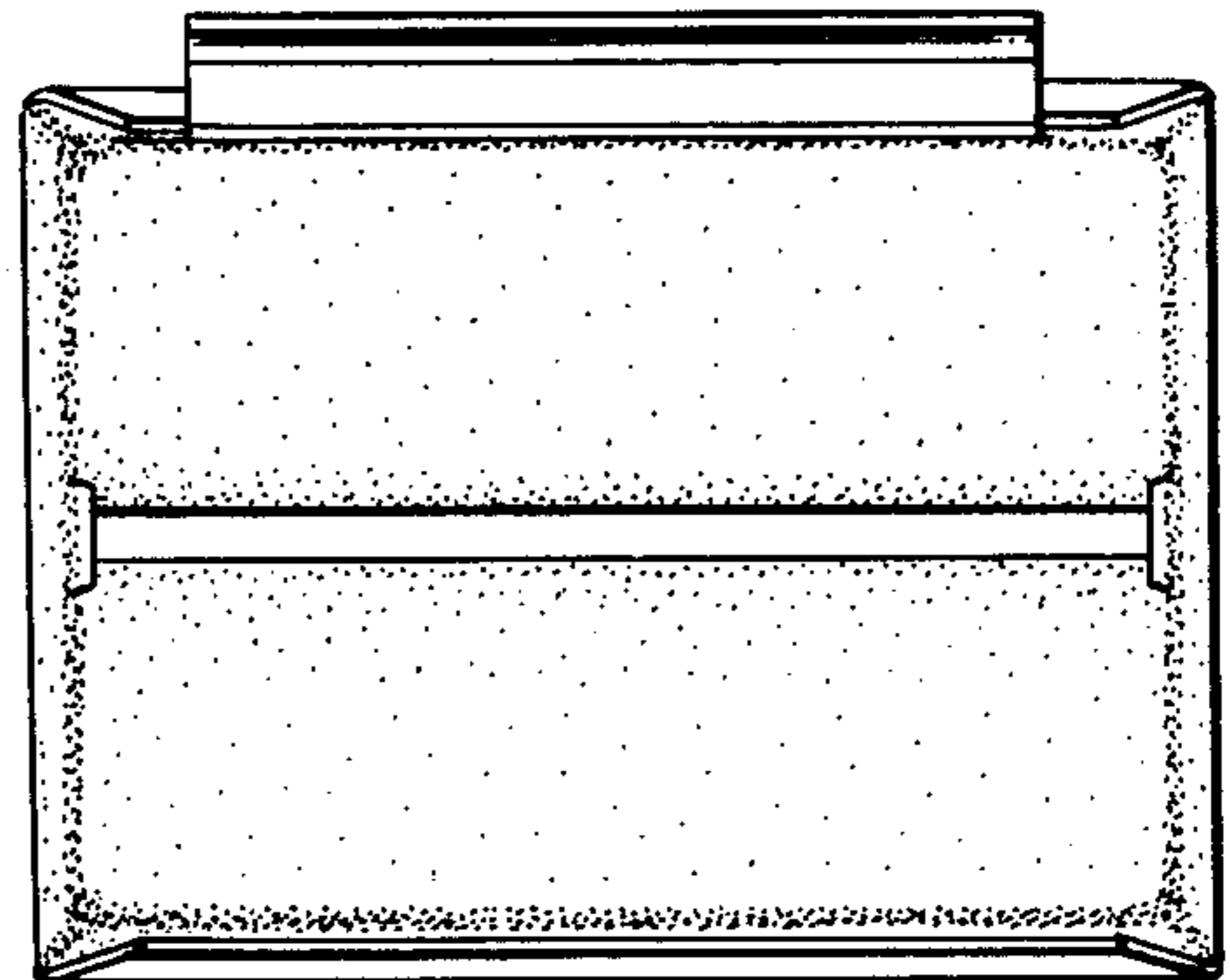


Fig. 7