

[54] EXAMINATION TABLE

[75] Inventors: **Frank M. Damico, Hull; Richard A. Koprowski; Warren J. Peterson**, both of Stevens Point, all of Wis.

[73] Assignee: **Joerns Furniture Company, a Division of American Seating Company**, Stevens Point, Wis.

[**] Term: **14 Years**

[21] Appl. No.: **609,173**

[22] Filed: **Sept. 2, 1975**

[51] Int. Cl. **D24—01**

[52] U.S. Cl. **D24/3**

[58] Field of Search **D6/22; D83/1 D; 5/63, 5/65, 66, 68, 91; 312/209; 269/325, 324**

[56] **References Cited**

U.S. PATENT DOCUMENTS

| | | | |
|------------|---------|----------------------|---------|
| 2,258,782 | 10/1941 | McKean | 5/63 |
| 2,679,445 | 5/1954 | Roehm | 312/209 |
| 3,334,951 | 8/1967 | Douglass, Jr. et al. | 312/209 |
| 3,348,893 | 10/1967 | Katzfey et al. | 312/209 |
| D. 202,963 | 11/1965 | Dailey | D83/1 D |
| D. 240,867 | 8/1976 | Blumberg | D83/1 D |

OTHER PUBLICATIONS

Aloe Medical Cat. No. 230, p. 52, The Capra Examination Table.

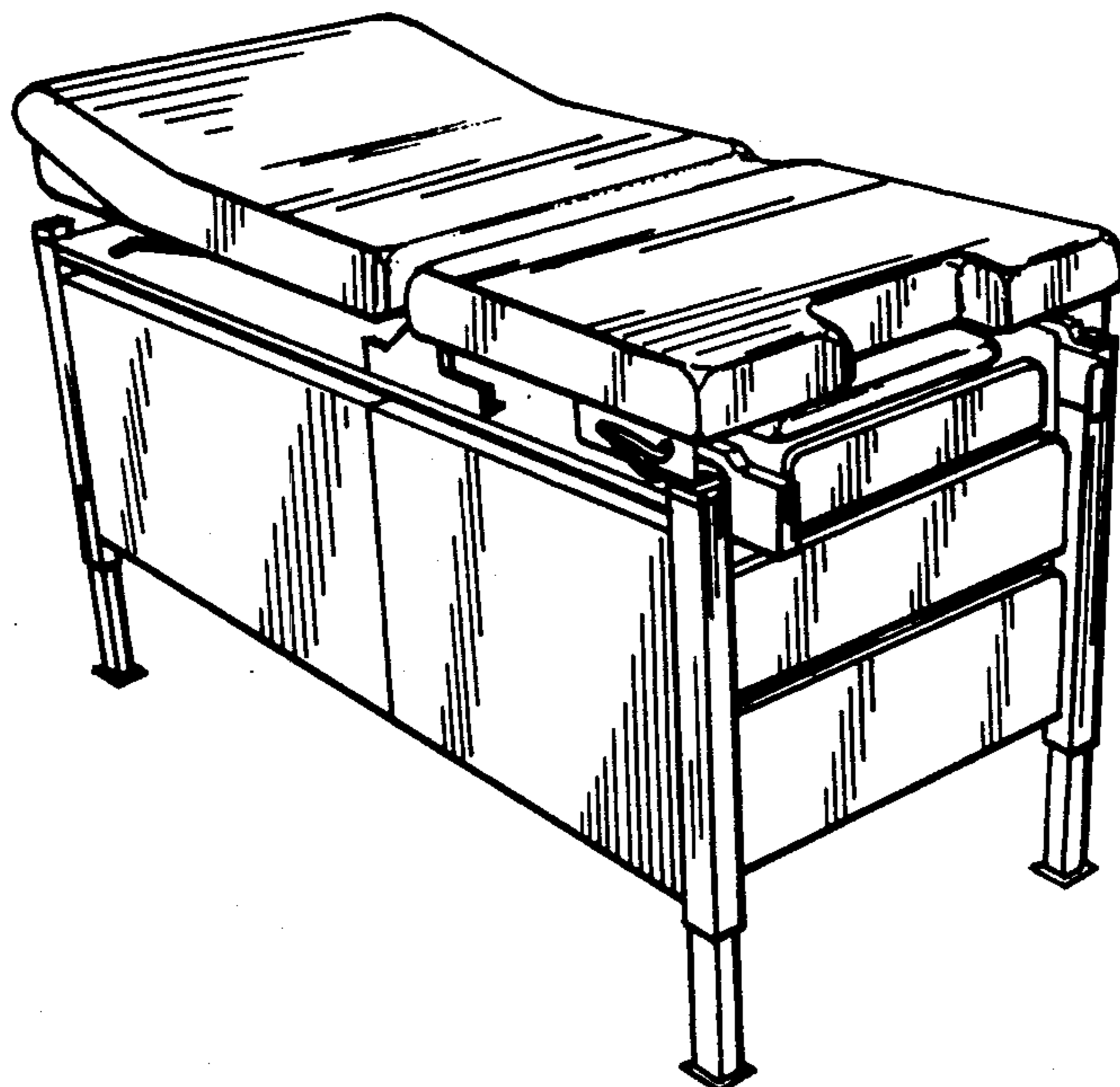
Primary Examiner—Bernard Ansher
Attorney, Agent, or Firm—Peter P. Price

[57] **CLAIM**

The ornamental design for an examination table, substantially as shown and described.

DESCRIPTION

FIG. 1 is a perspective view of the examination table, showing our new design;
 FIG. 2 is a foot end view of the examination table shown in FIG. 1;
 FIG. 3 is a head end view of the examination table shown in FIGS. 1 and 2;
 FIG. 4 is a fragmentary, perspective view of a portion of the head end of the examination table shown in FIGS. 1-3 illustrating the paper roll storage tray and the head end of the patient support cushion with the paper tray being in closed position;
 FIG. 5 is a perspective view of the examination table shown in FIGS. 1-4 illustrating the head and foot portions of the patient cushion in their raised positions, the retractable leg rest in its extended position and the foot stirrups in their extended positions;
 FIG. 6 is a fragmentary, perspective view of the head end portion of the examination table shown in FIG. 4 and illustrating the paper storage tray in open position for loading;
 FIG. 7 is a bottom plan view of the examination table shown in FIGS. 1-6;
 FIG. 8 is a left, side elevation of the examination table shown in FIGS. 1-7 illustrating the leg rest and foot stirrups in extended positions;
 FIG. 9 is a right, side elevation of the examination table shown in FIGS. 1-8 also illustrating the leg rest and foot stirrups in extended positions; and
 FIG. 10 is a top plan view of the examination table of FIGS. 1-9 illustrating the leg rest and foot stirrups in extended position.



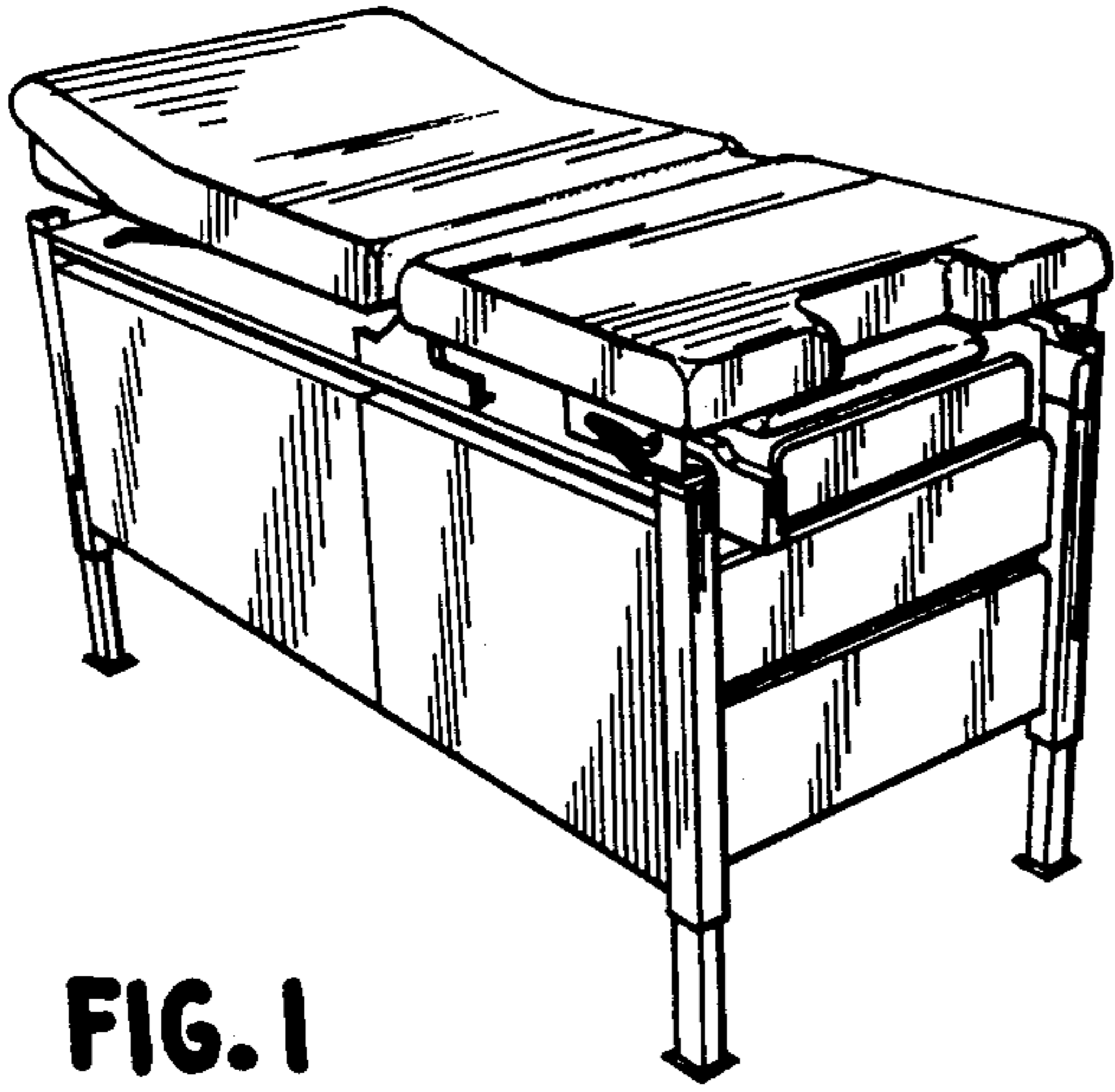


FIG. 1

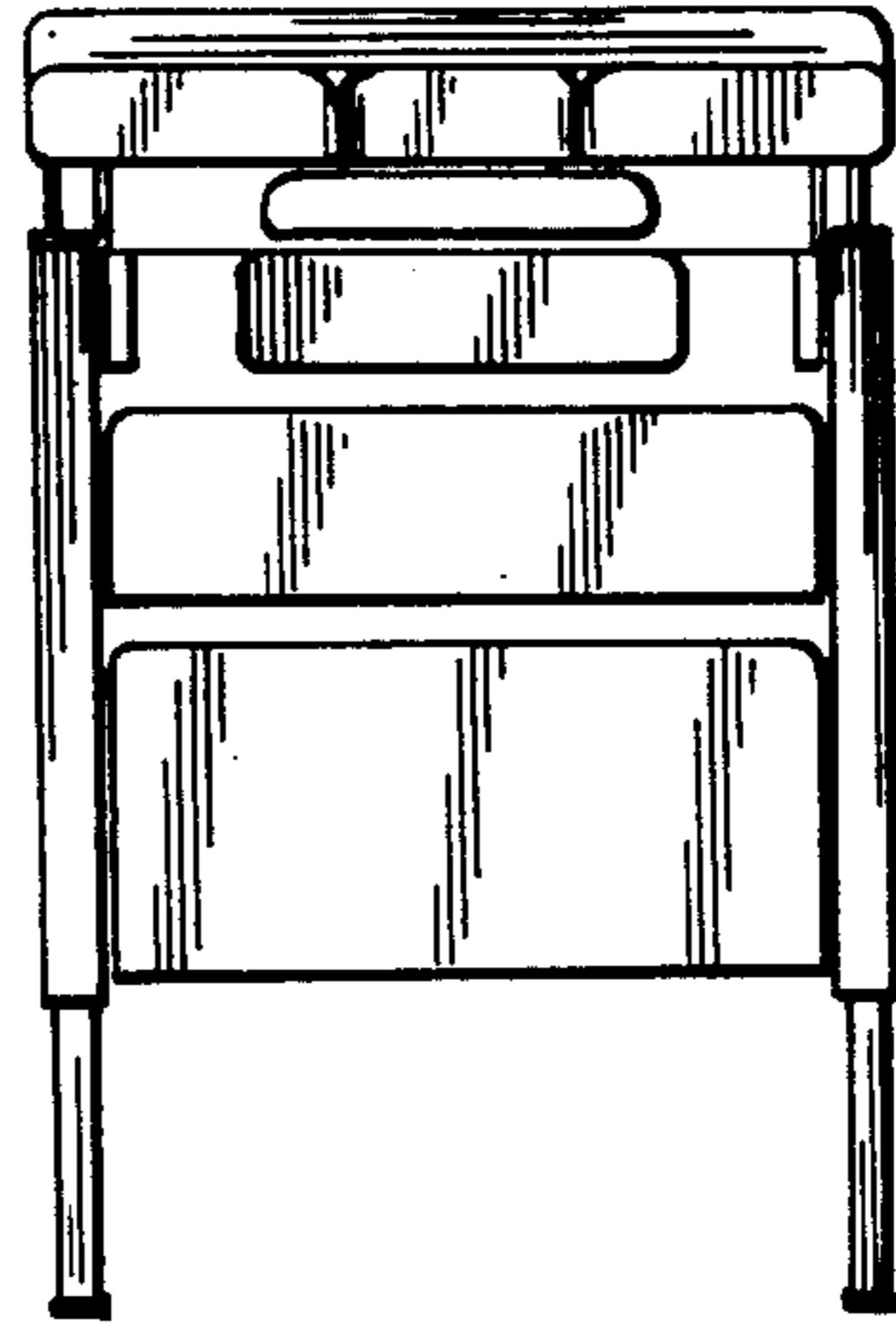


FIG. 2

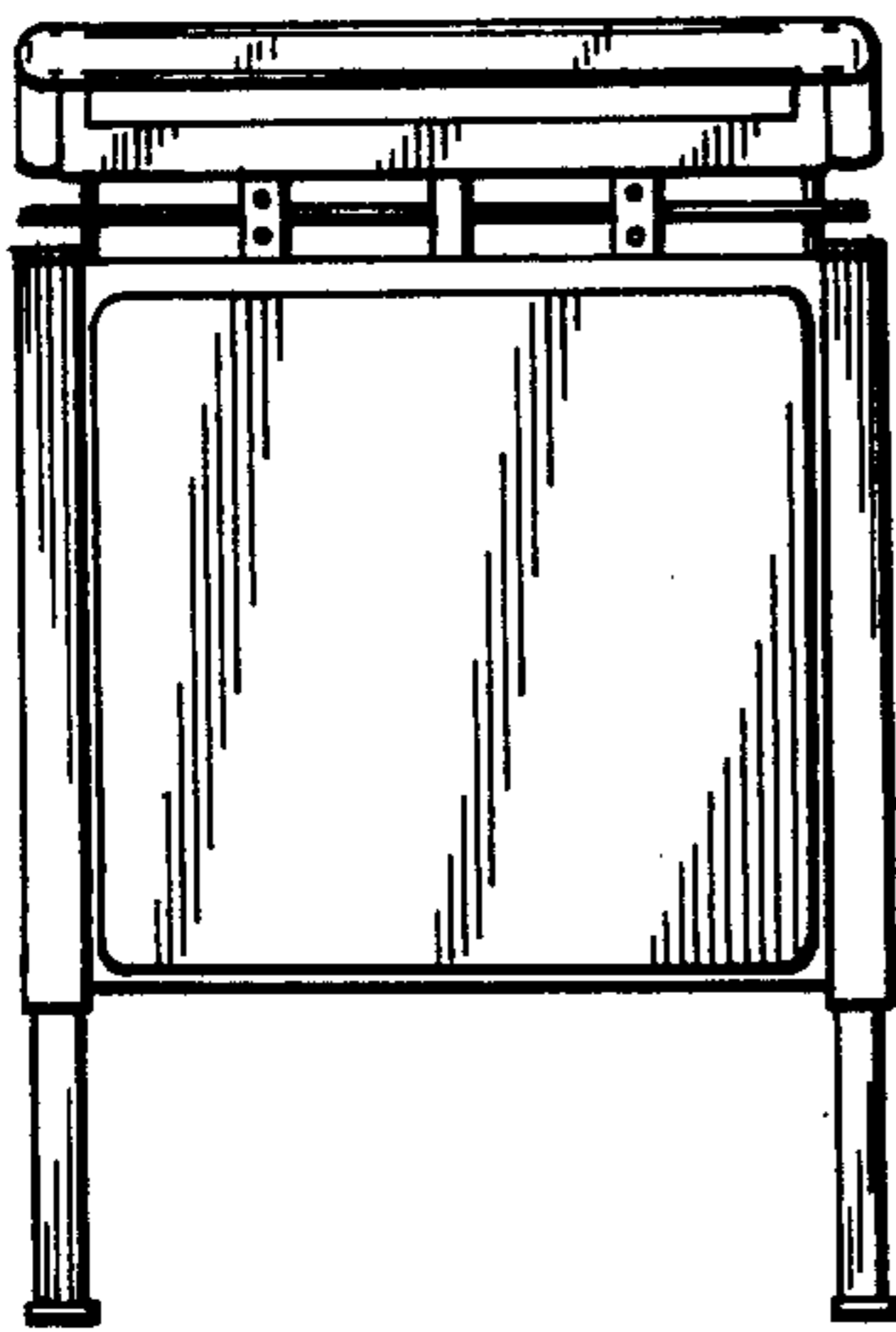


FIG. 3

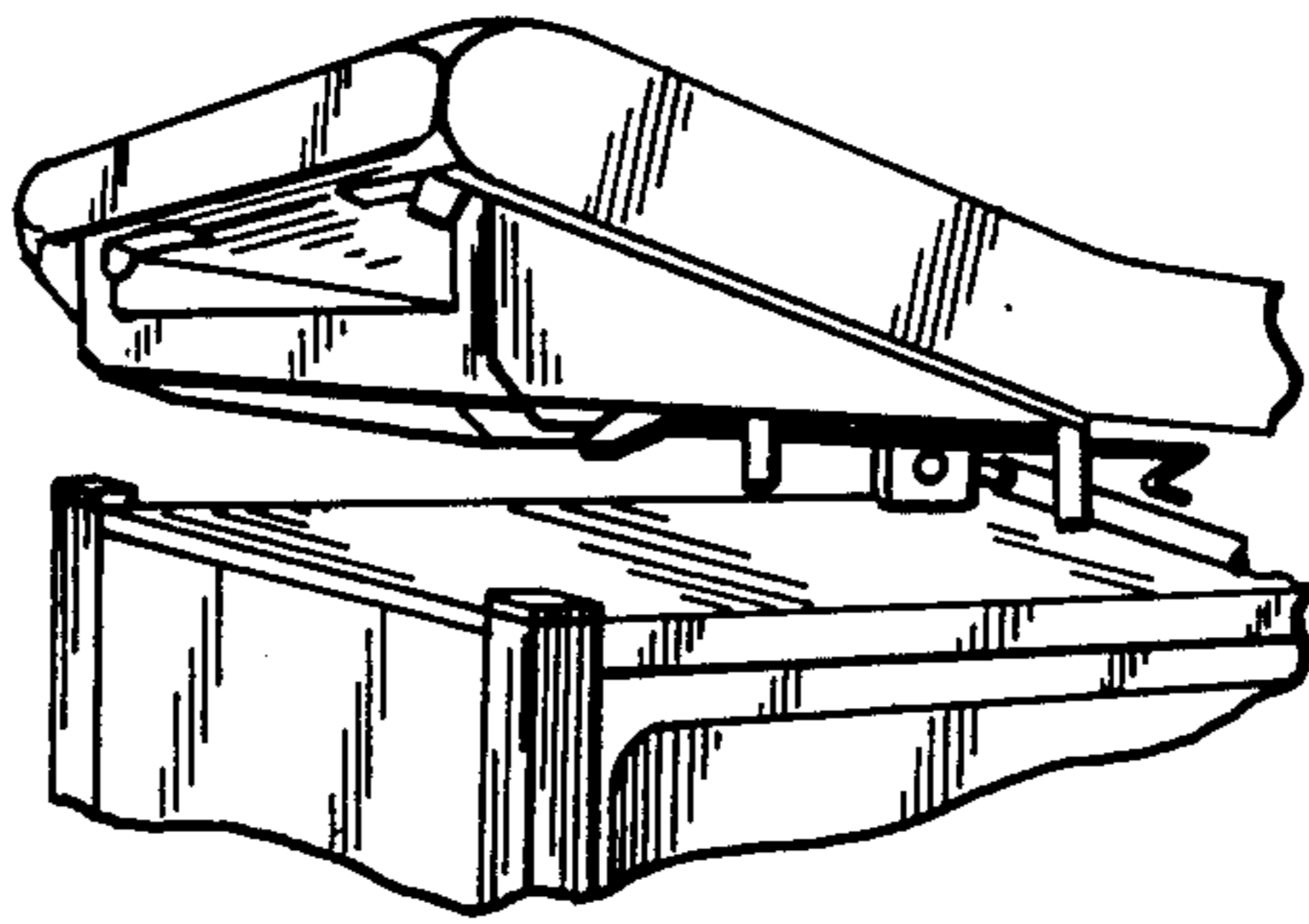


FIG. 4

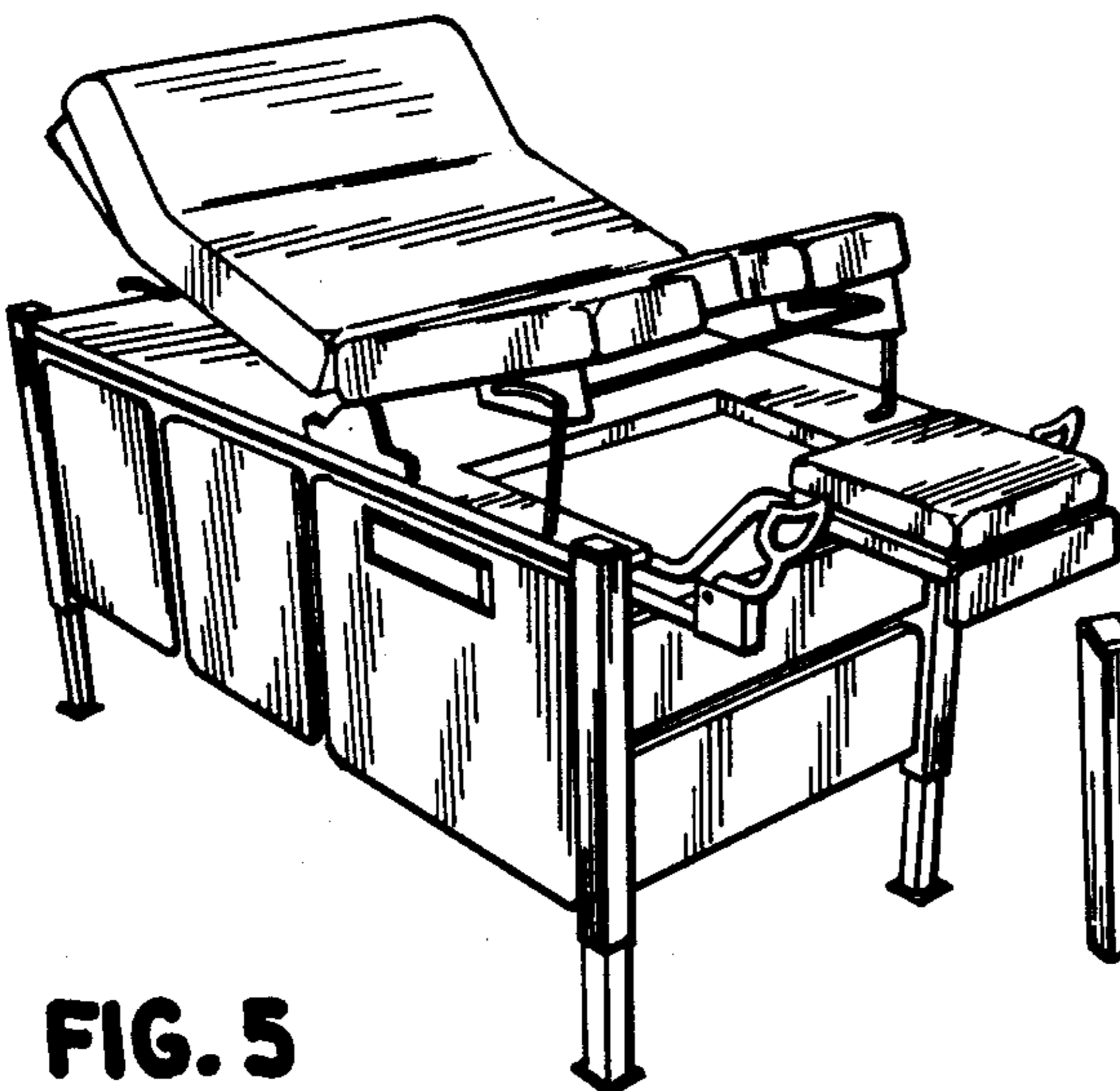


FIG. 5

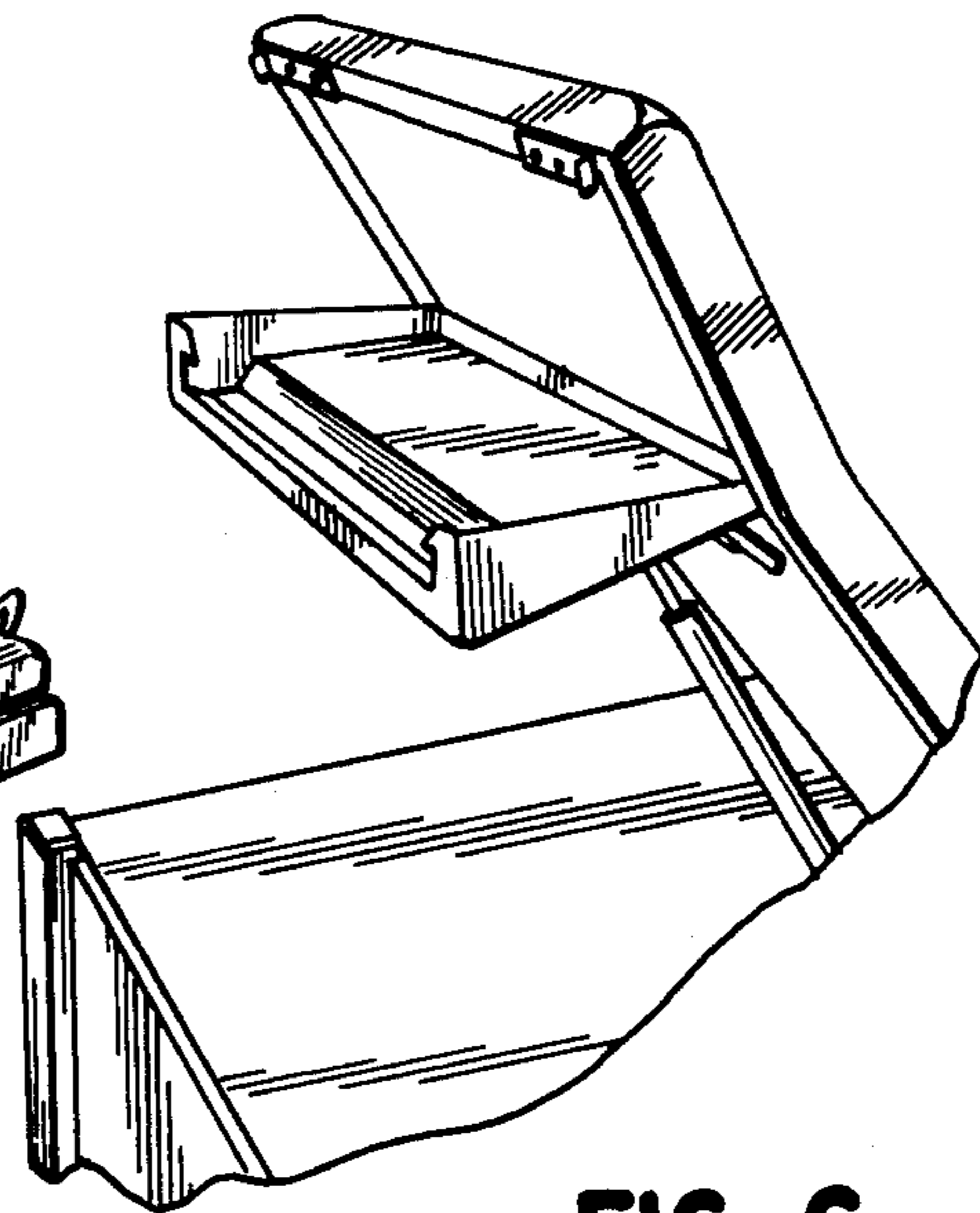


FIG. 6

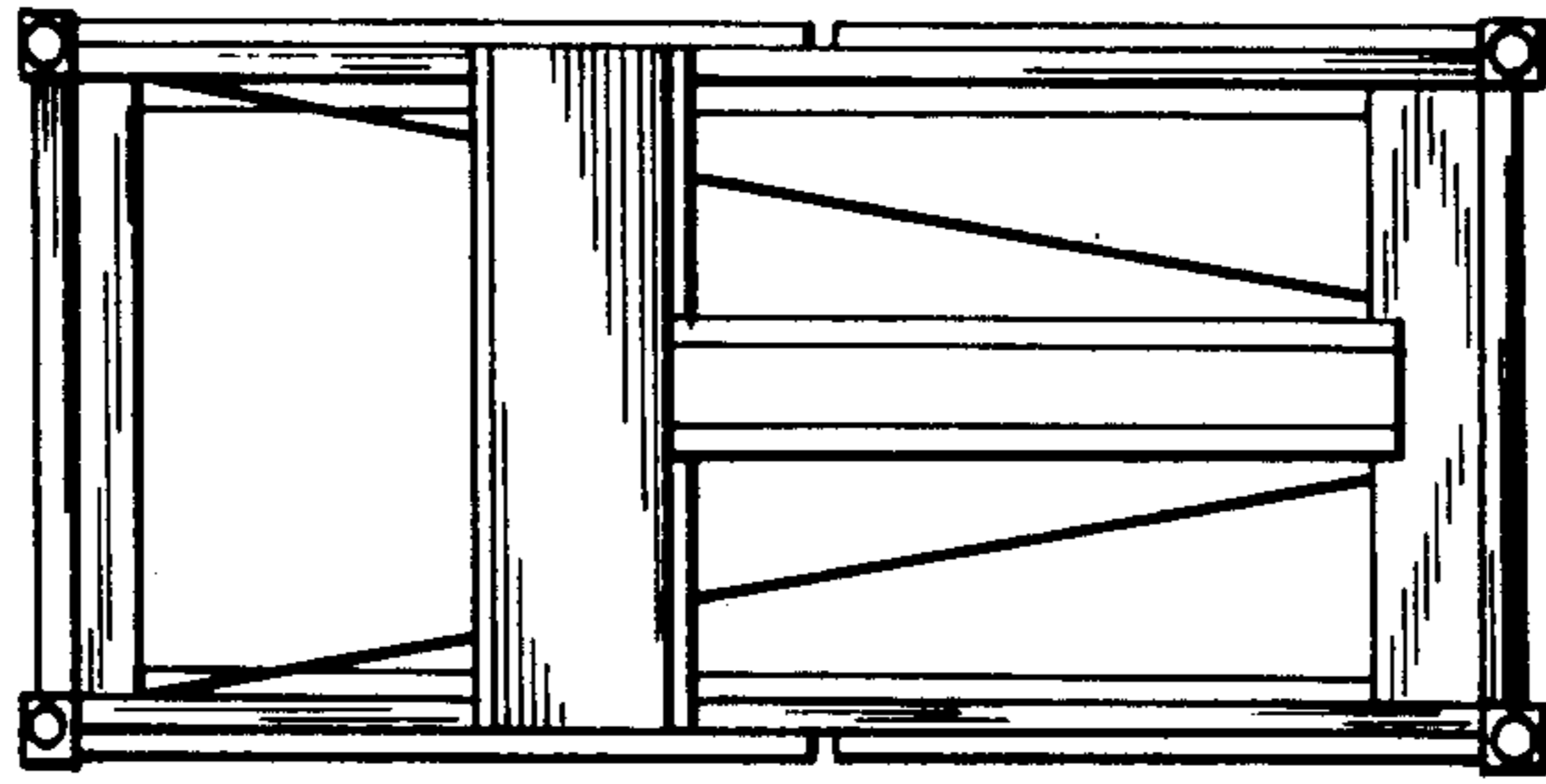


FIG. 7

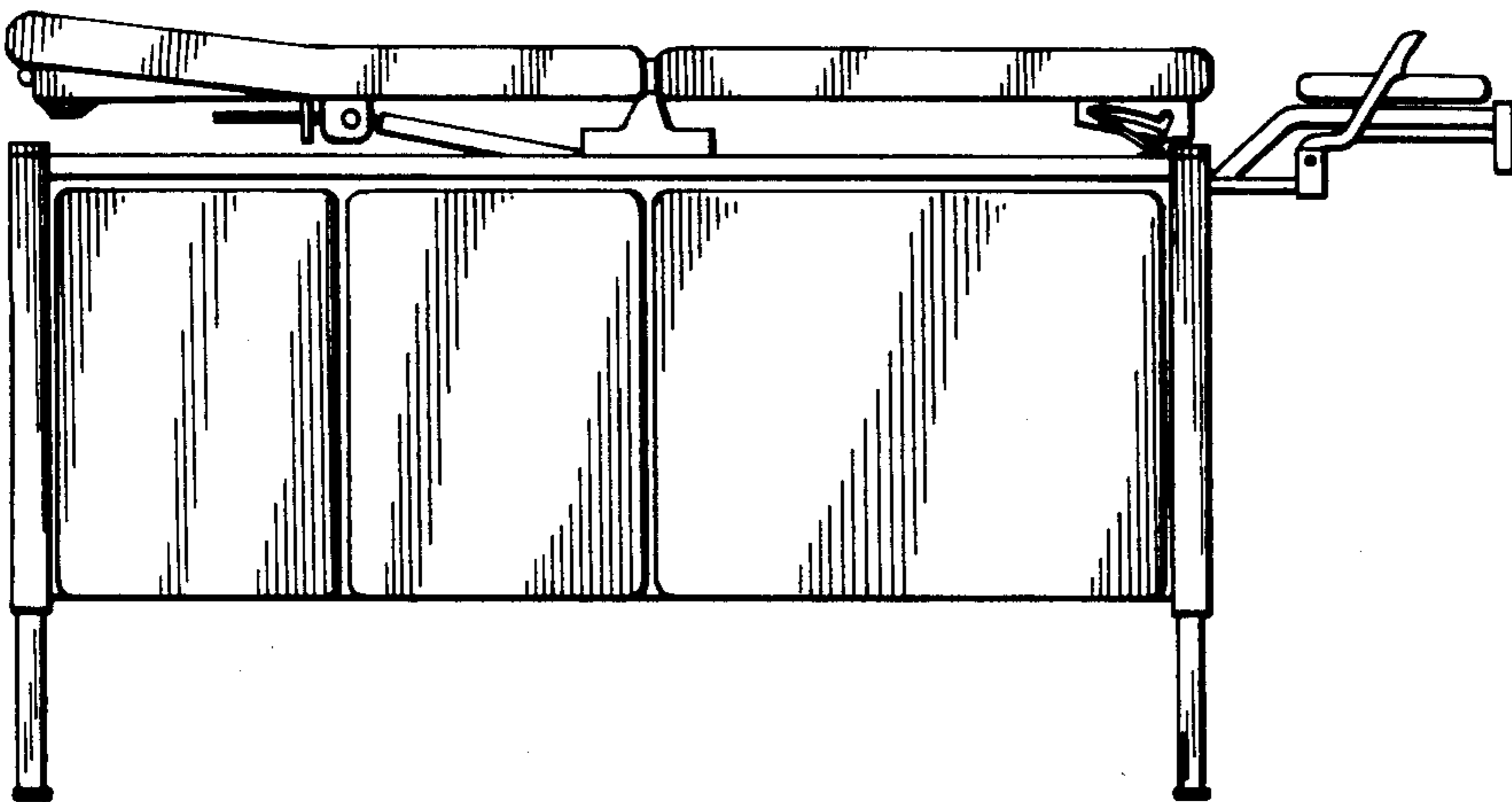


FIG. 8

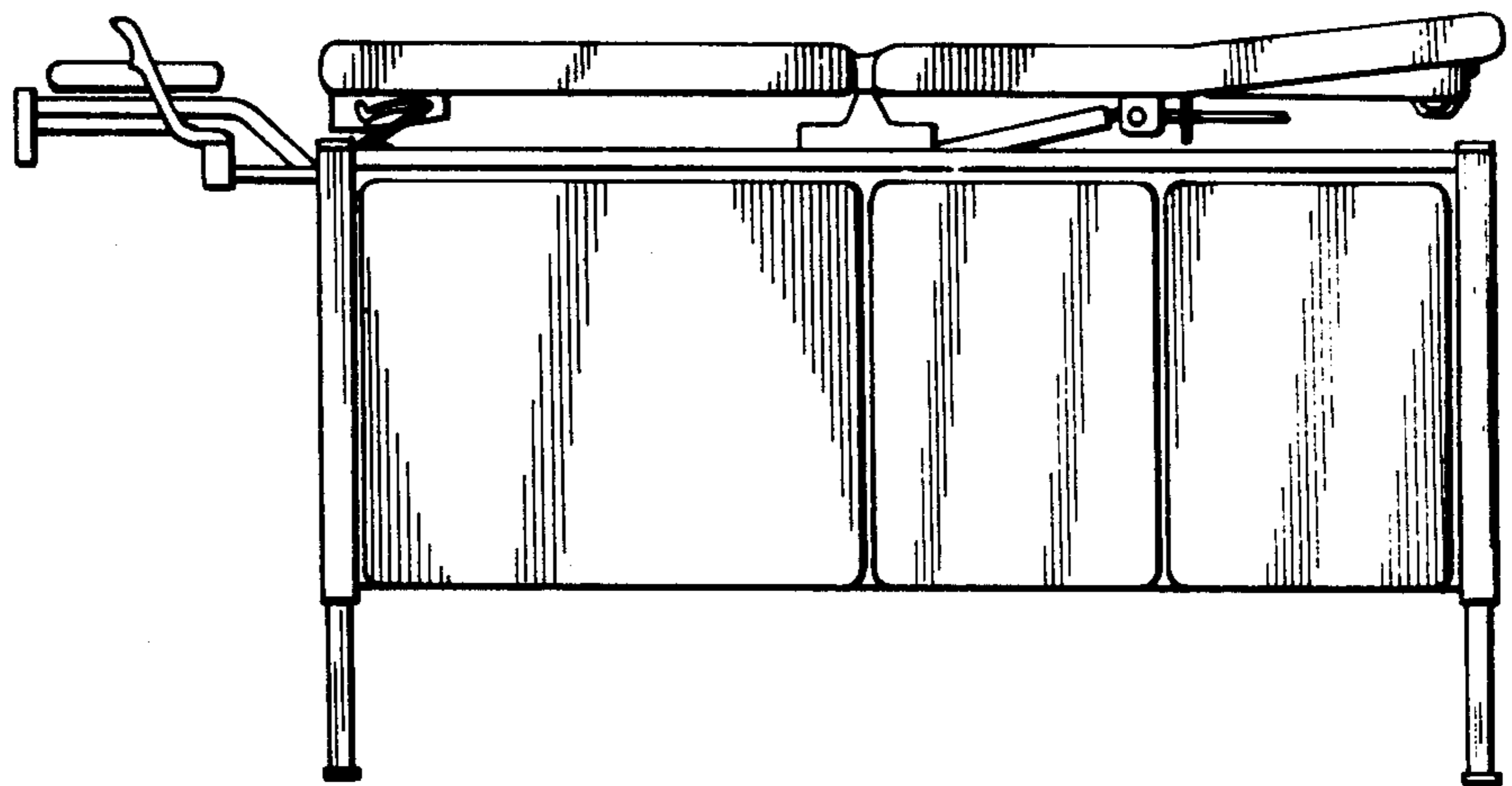


FIG. 9

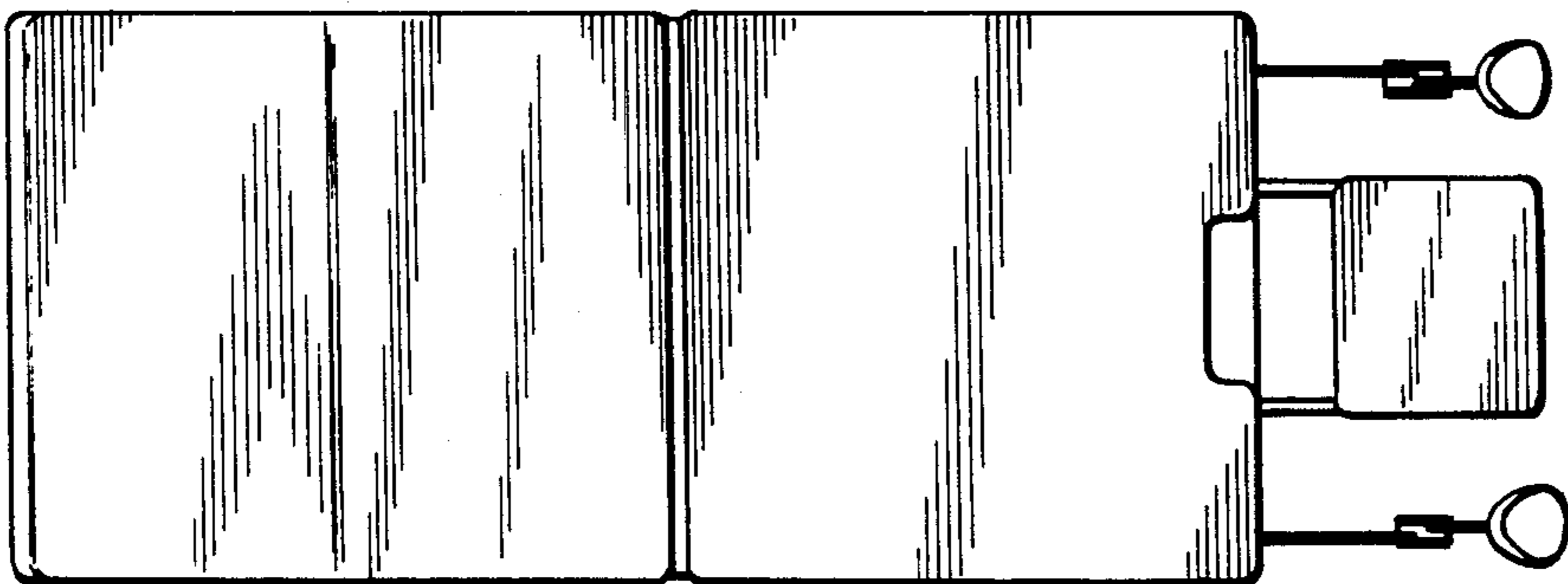


FIG. 10