

United States Patent [19]

Osterlund et al.

[11] **Des. 245,286**

[45] **** Aug. 2, 1977**

[54] **PRINT WHEEL HAMMER**

[75] Inventors: **Alfred G. Osterlund, Los Gatos;**
Mario G. Plaza, Fremont, both of
Calif.

[73] Assignee: **Xerox Corporation, Stamford, Conn.**

[**] Term: **14 Years**

[21] Appl. No.: **606,992**

[22] Filed: **Aug. 22, 1975**

[51] Int. Cl. **D18-99**

[52] U.S. Cl. **D64/11 R**

[58] Field of Search **D64/11 R; 197/54, 23,**
197/48, 49; 101/93.15, 93.16, 93.28, 93.48, 109

[56] **References Cited**

U.S. PATENT DOCUMENTS

3,354,820 11/1967 **Braxton, Jr.** 101/93.48

3,702,585 11/1972 **Landis et al.** 101/93.48 X
3,915,279 10/1975 **Schacht** 197/54
3,918,568 11/1975 **Shimodaira** 197/49
D. 240,271 6/1976 **Boumann et al.** D64/11 R

Primary Examiner—Wallace R. Burke
Assistant Examiner—Catherine Kemper
Attorney, Agent, or Firm—James J. Ralabate

[57] **CLAIM**

The ornamental design for a print wheel hammer, as shown.

DESCRIPTION

FIG. 1 is a perspective view of a print wheel hammer showing our new design;

FIG. 2 is a left end elevational view thereof;

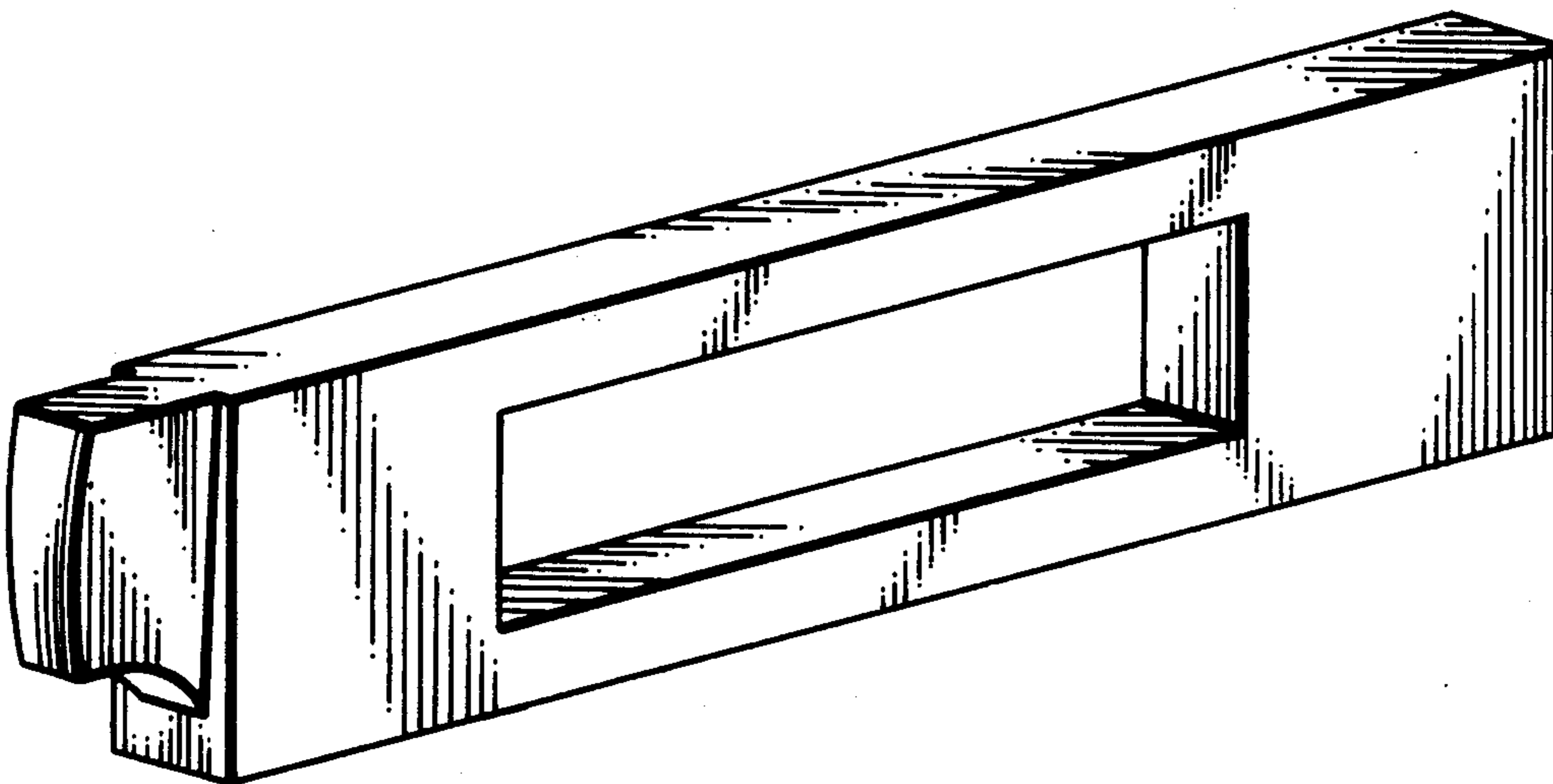
FIG. 3 is a right end elevational view thereof;

FIG. 4 is a right side elevational view thereof;

FIG. 5 is a left side elevational view thereof;

FIG. 6 is a top plan view thereof;

FIG. 7 is a bottom plan view thereof.



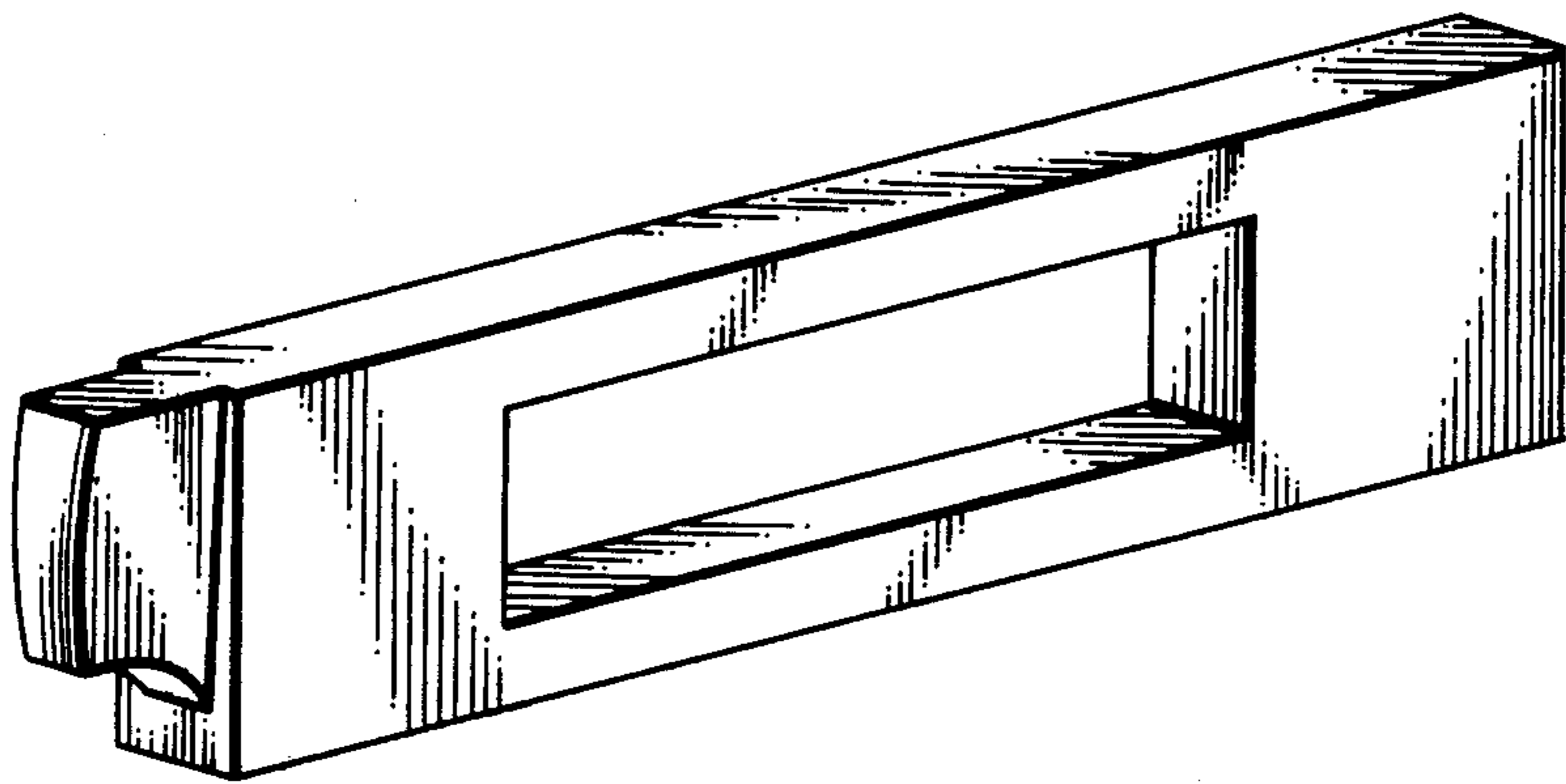


FIG. 1



FIG. 2



FIG. 3

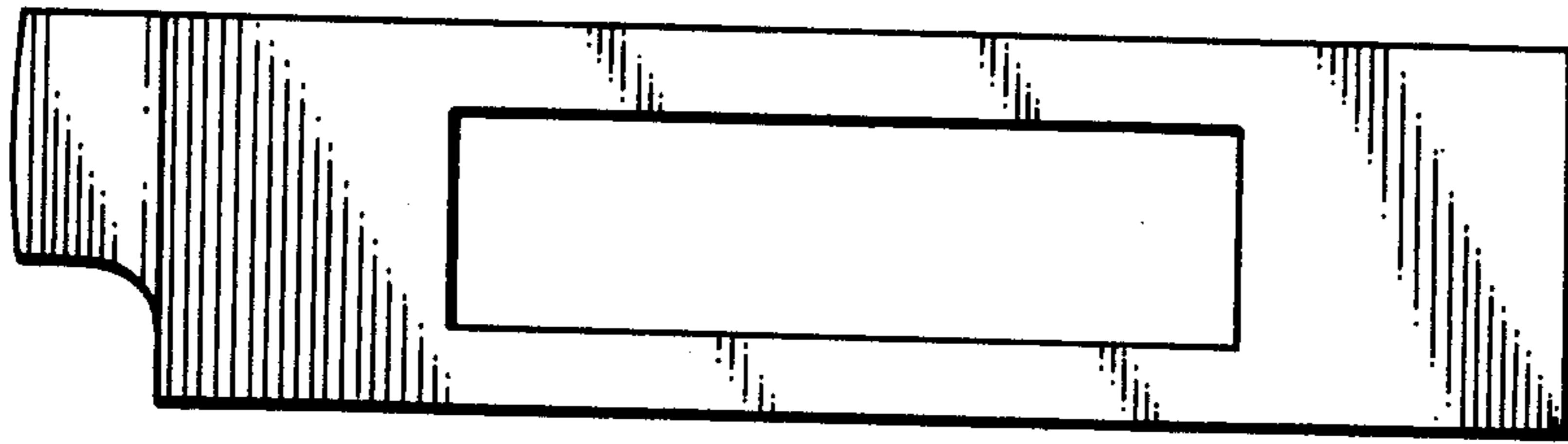


FIG. 4

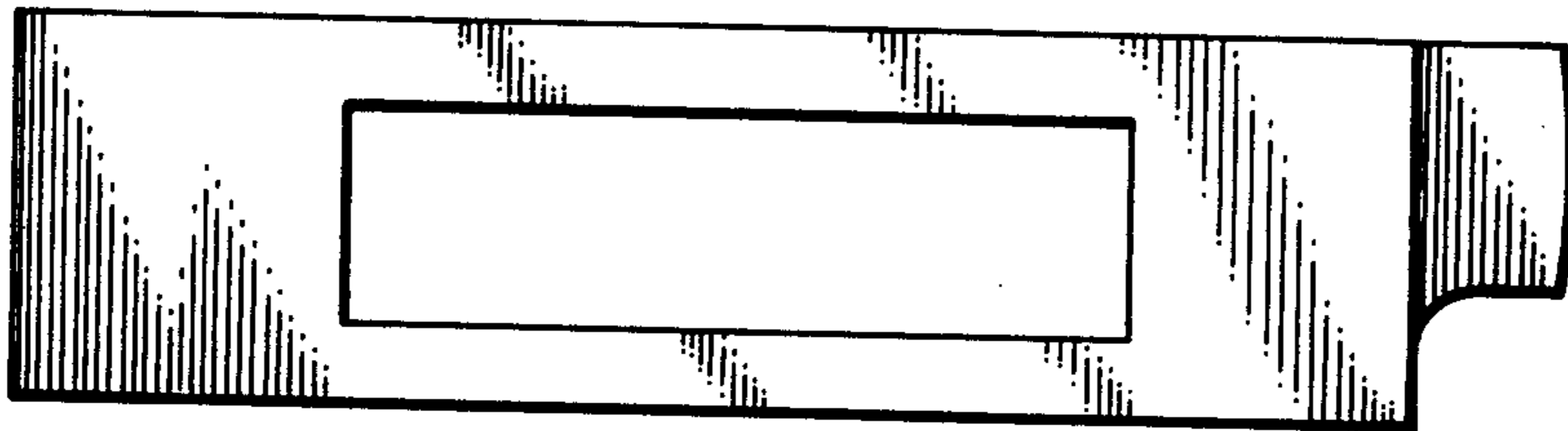


FIG. 5

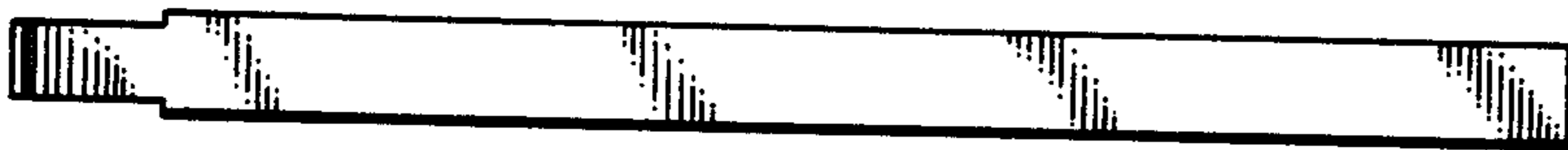


FIG. 6



FIG. 7