

[54] **HAND-HELD SPOTLIGHT**  
[75] **Inventor: John Baxter Brinkmann, New York, N.Y.**  
[73] **Assignee: Q-Beam Corporation**  
[\*\*] **Term: 14 Years**  
[21] **Appl. No.: 596,801**  
[22] **Filed: July 17, 1975**  
[51] **Int. Cl. .... D26-02**  
[52] **U.S. Cl. .... D48/20 K**  
[58] **Field of Search .... D48/20 K, 24 R;**  
**240/8.18, 10.6, 10.61, 10.63, 10.64, 10.65, 10.67,**  
**11.2, 11.4**

[56] **References Cited**  
**U.S. PATENT DOCUMENTS**  
2,784,305 3/1957 Lawson et al. .... 240/8.18  
D. 223,389 4/1972 Schifrin ..... D48/24 R  
**FOREIGN PATENT DOCUMENTS**  
1,285,472 8/1972 United Kingdom ..... 240/8.18

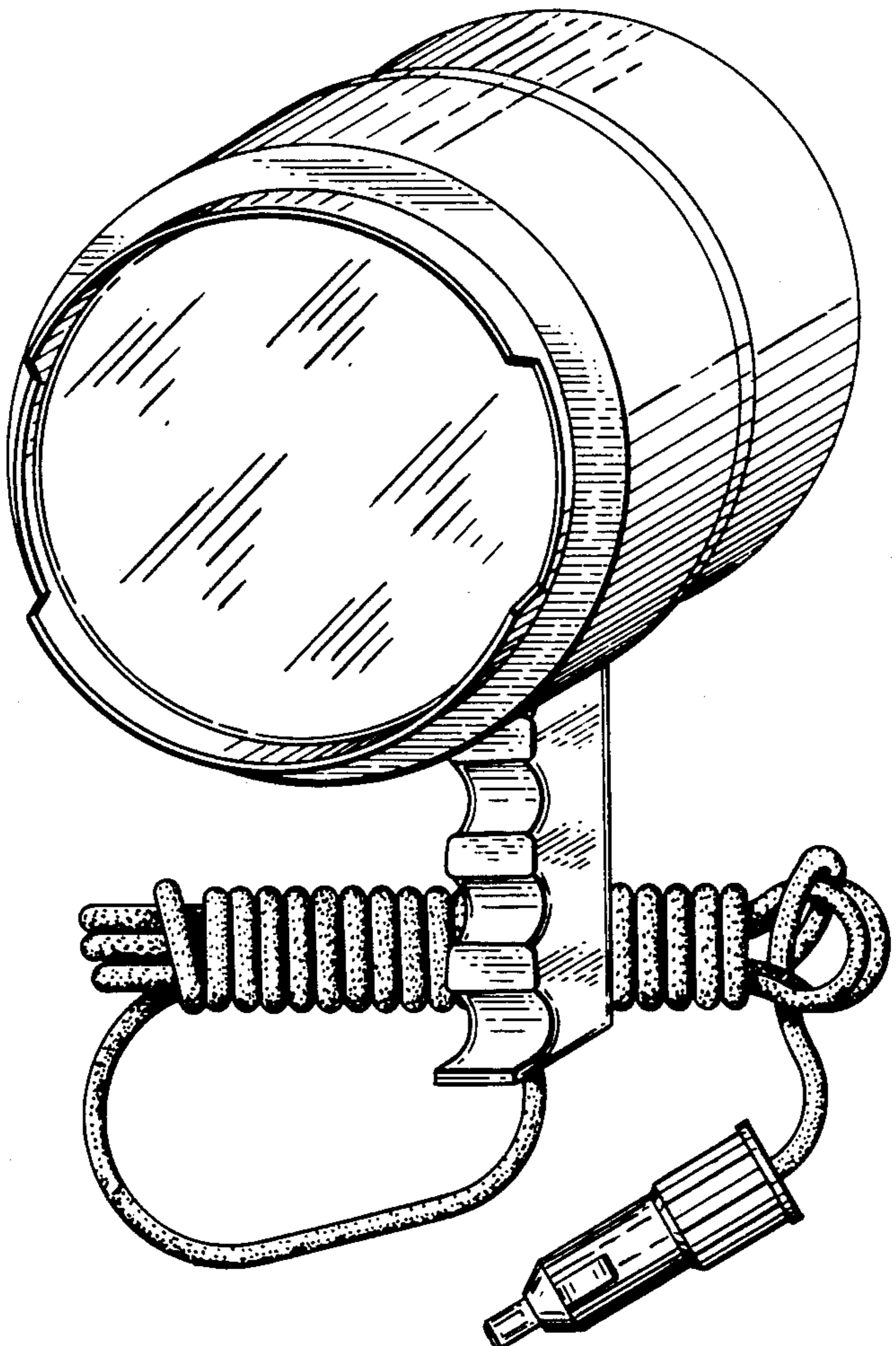
*Primary Examiner—Susan J. Lucas*  
*Attorney, Agent, or Firm—John R. Kirk, Jr.*

[57] **CLAIM**

The ornamental design for a hand-held spotlight, substantially as shown and described.

**DESCRIPTION**

FIG. 1 is a perspective view taken from the front of the spotlight embodying my new design.  
FIG. 2 is a fragmentary rear elevational view thereof, the cord being fragmentarily shown for convenience of illustration; and  
FIG. 3 is a fragmentary side elevational view thereof, the handle being fragmentarily shown for convenience of illustration; and  
FIG. 4 is a fragmentary perspective view of the rear and side of the spotlight as seen from below, the cord being fragmentarily shown for convenience of illustration; and  
FIG. 5 is a fragmentary front elevational view of the spotlight; the handle and upper portion of the spotlight being fragmentarily shown for convenience of illustration.



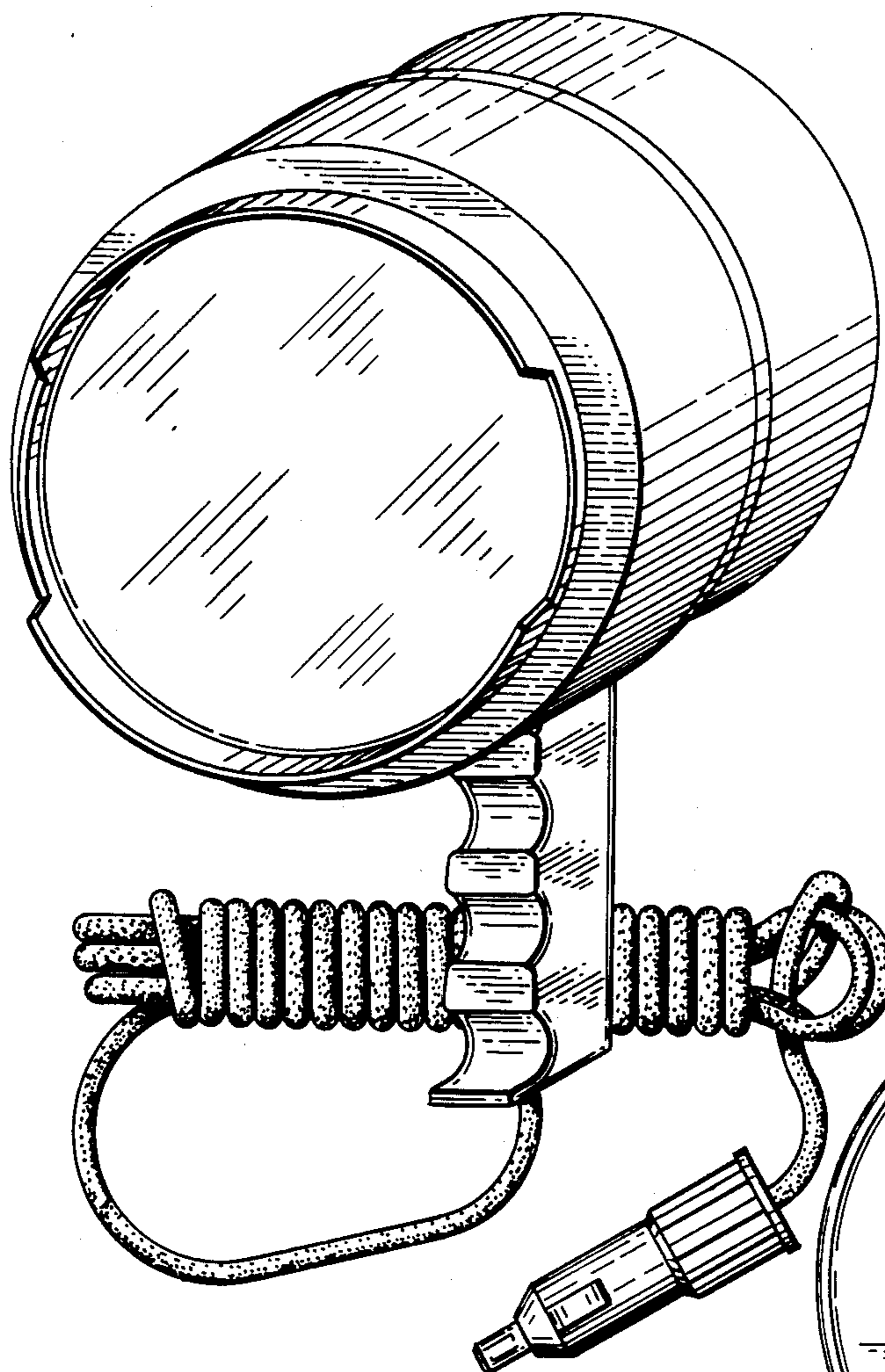


FIG. 1.

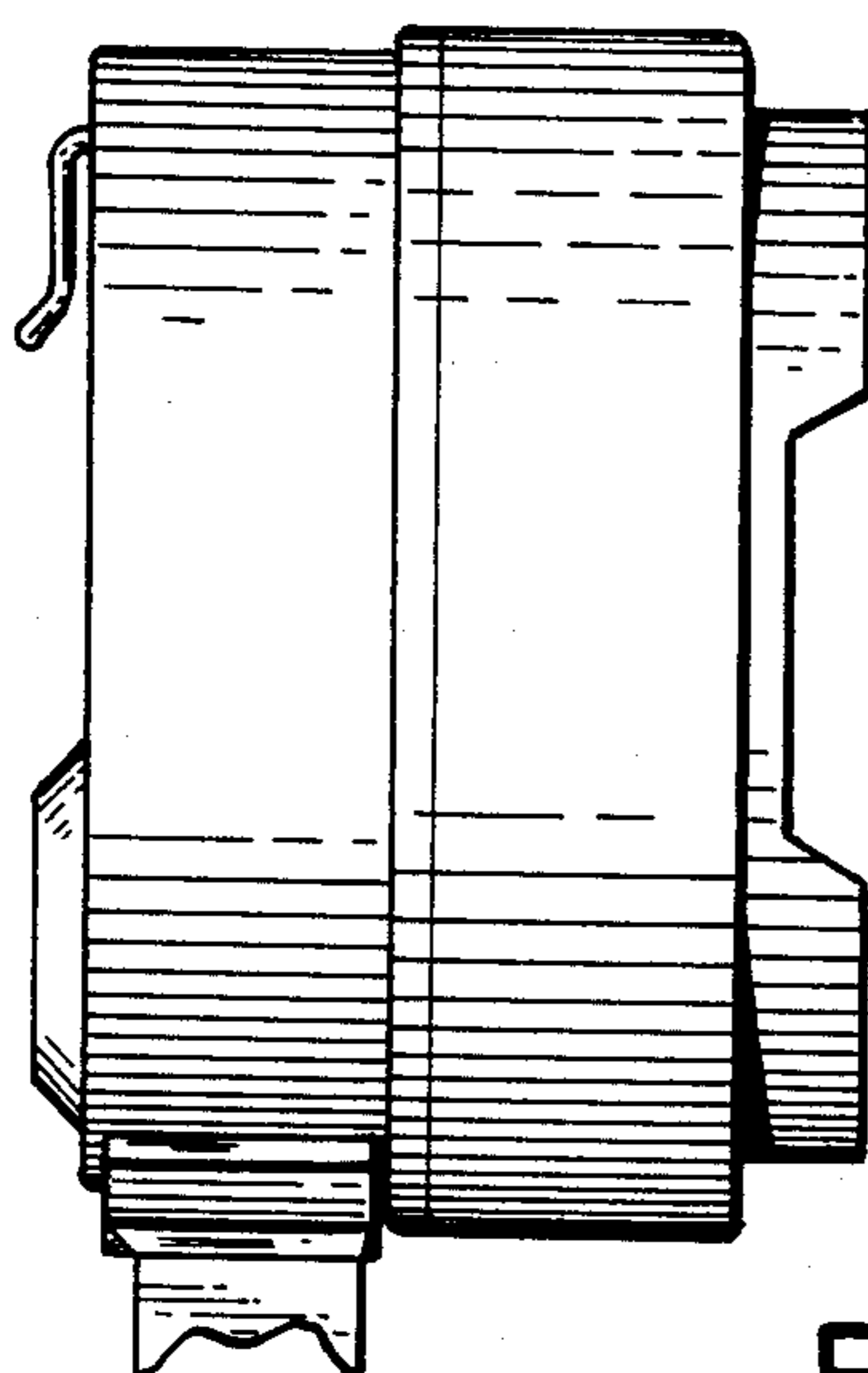


FIG. 2.

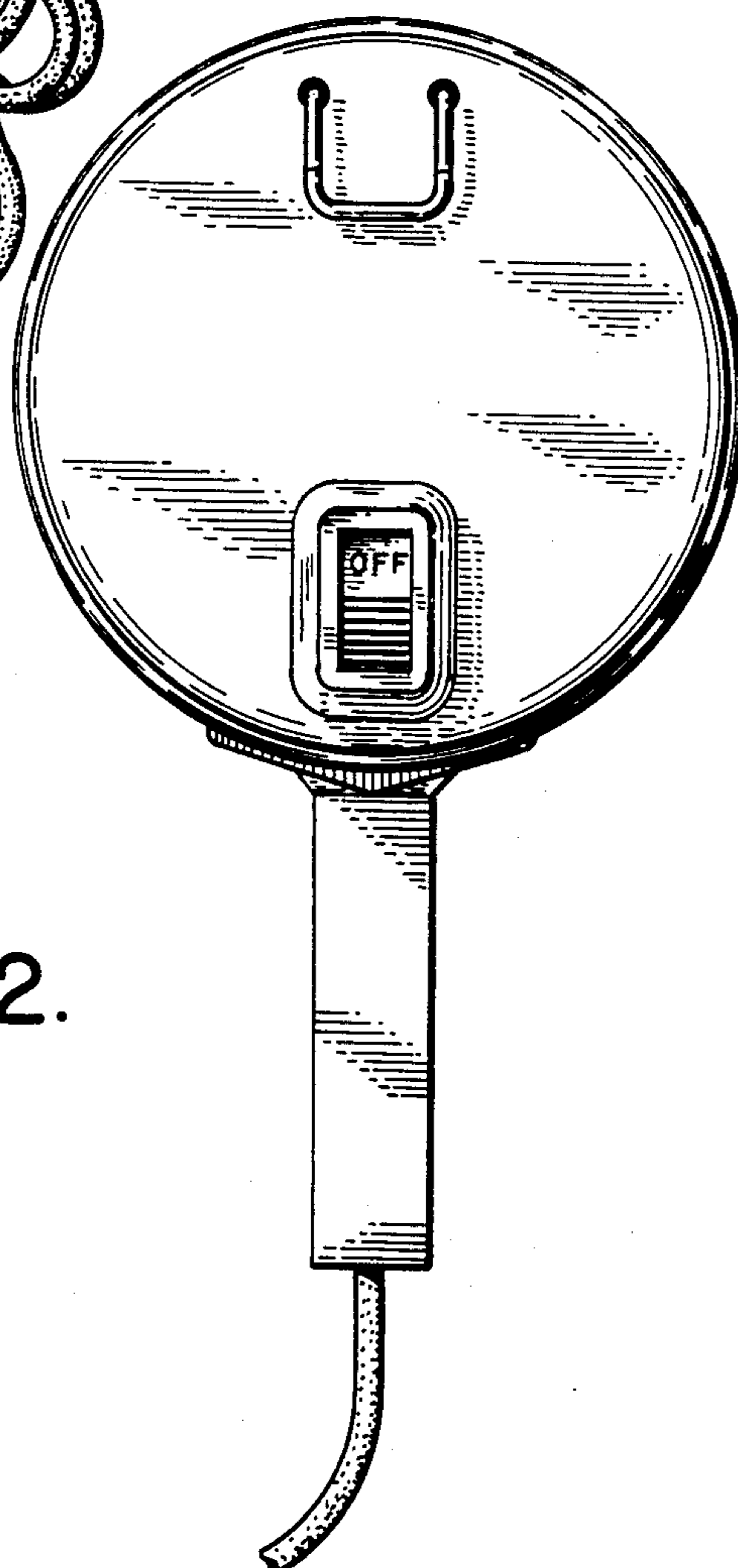


FIG. 3.

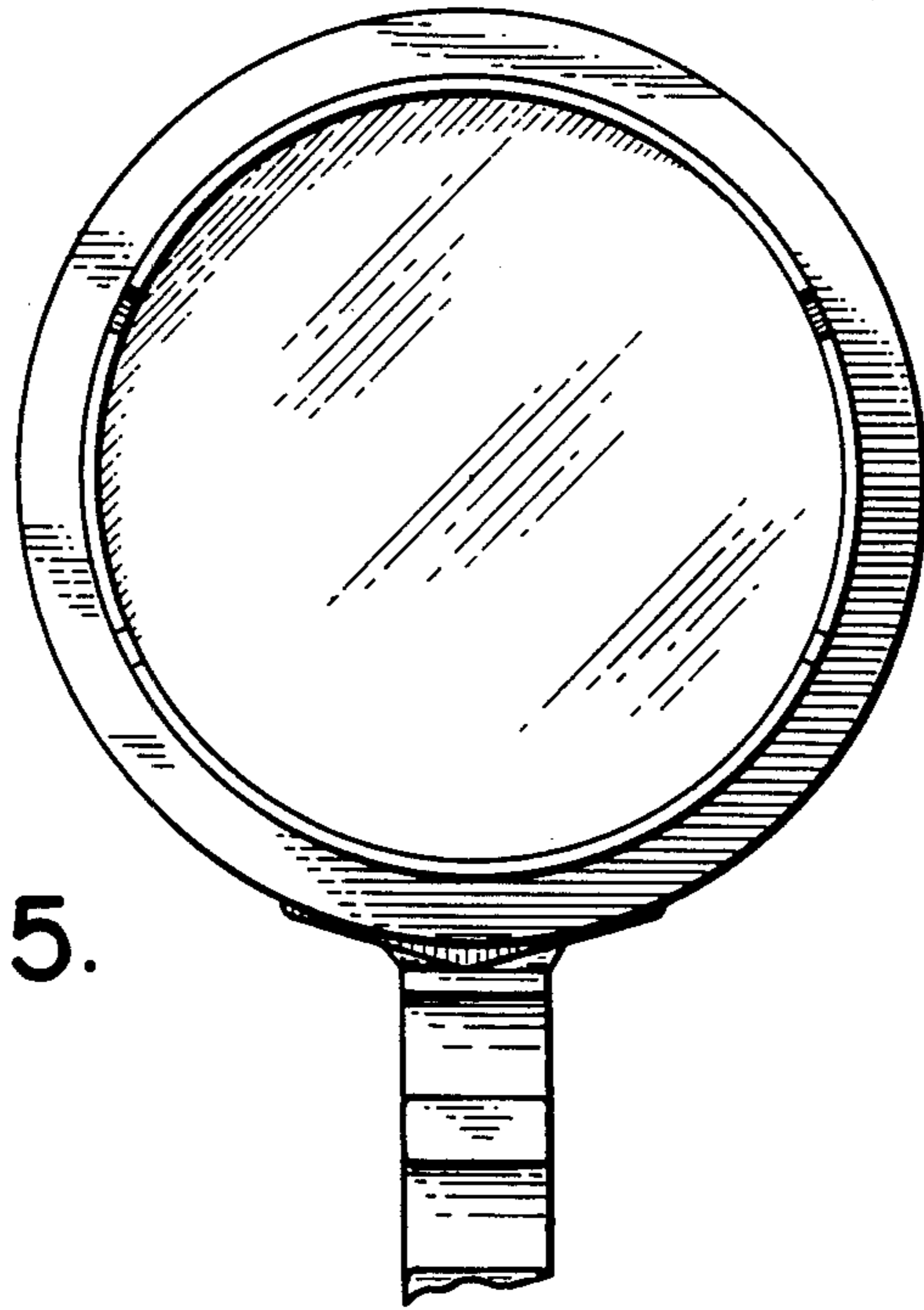


FIG. 5.

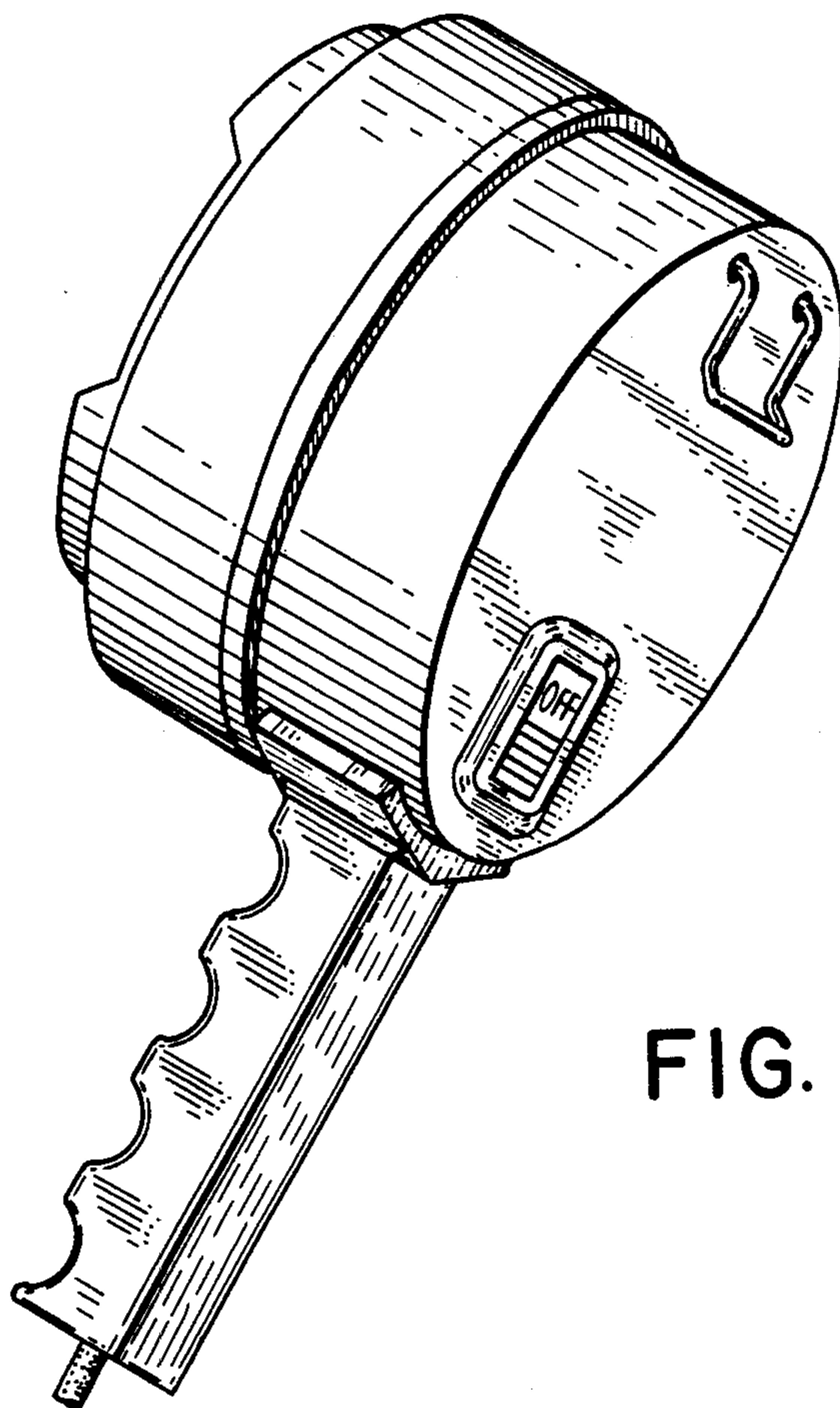


FIG. 4.