

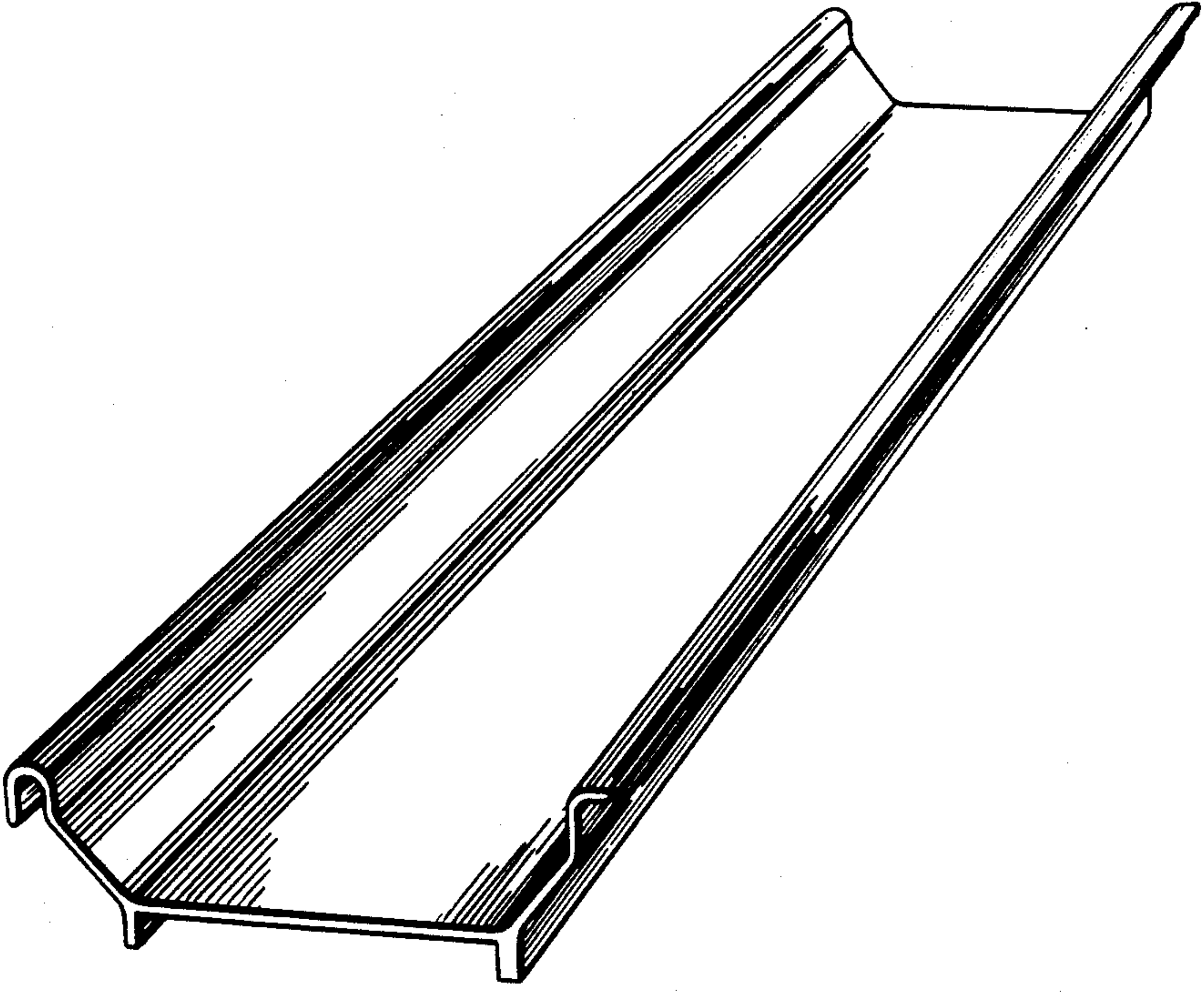
- [54] **SKI TRACK MEMBER**
- [75] **Inventor:** **Sven Gunnar Pettersson, Falun, Sweden**
- [73] **Assignee:** **Granges Essem Aktiebolag, Vasteras, Sweden**
- [**] **Term:** **14 Years**
- [21] **Appl. No.:** **619,045**
- [22] **Filed:** **Oct. 2, 1975**
- [30] **Foreign Application Priority Data**
Apr. 2, 1975 Sweden 669/75
- [51] **Int. Cl.** **D21—03; D25—01**
- [52] **U.S. Cl.** **D34/5 E**
- [58] **Field of Search** **272/56.5 R, 56.5 SS, 272/97; D34/5 E; D25/73, 74, 75, 76, 62, 68, 65**

- [56] **References Cited**
U.S. PATENT DOCUMENTS
3,363,583 1/1968 Greenberg 272/56.5 SS
3,970,300 7/1976 von Wendt 272/56.5 R
- FOREIGN PATENT DOCUMENTS**
2,135,797 1/1973 Germany 272/56.5 R
1,418,668 12/1975 United Kingdom 272/56.5 R

Primary Examiner—A. Hugo Word
Attorney, Agent, or Firm—Davidson C. Miller

[57] **CLAIM**
The ornamental design for a ski track member, as shown and described.

DESCRIPTION
FIG. 1 is a perspective view of one side of a ski track member of my design;
FIG. 2 is a perspective view of the other side of the ski track member of FIG. 1;
FIG. 3 is a bottom view of the ski track member of FIG. 1; and
FIG. 4 is an end view of the ski track member of my design.



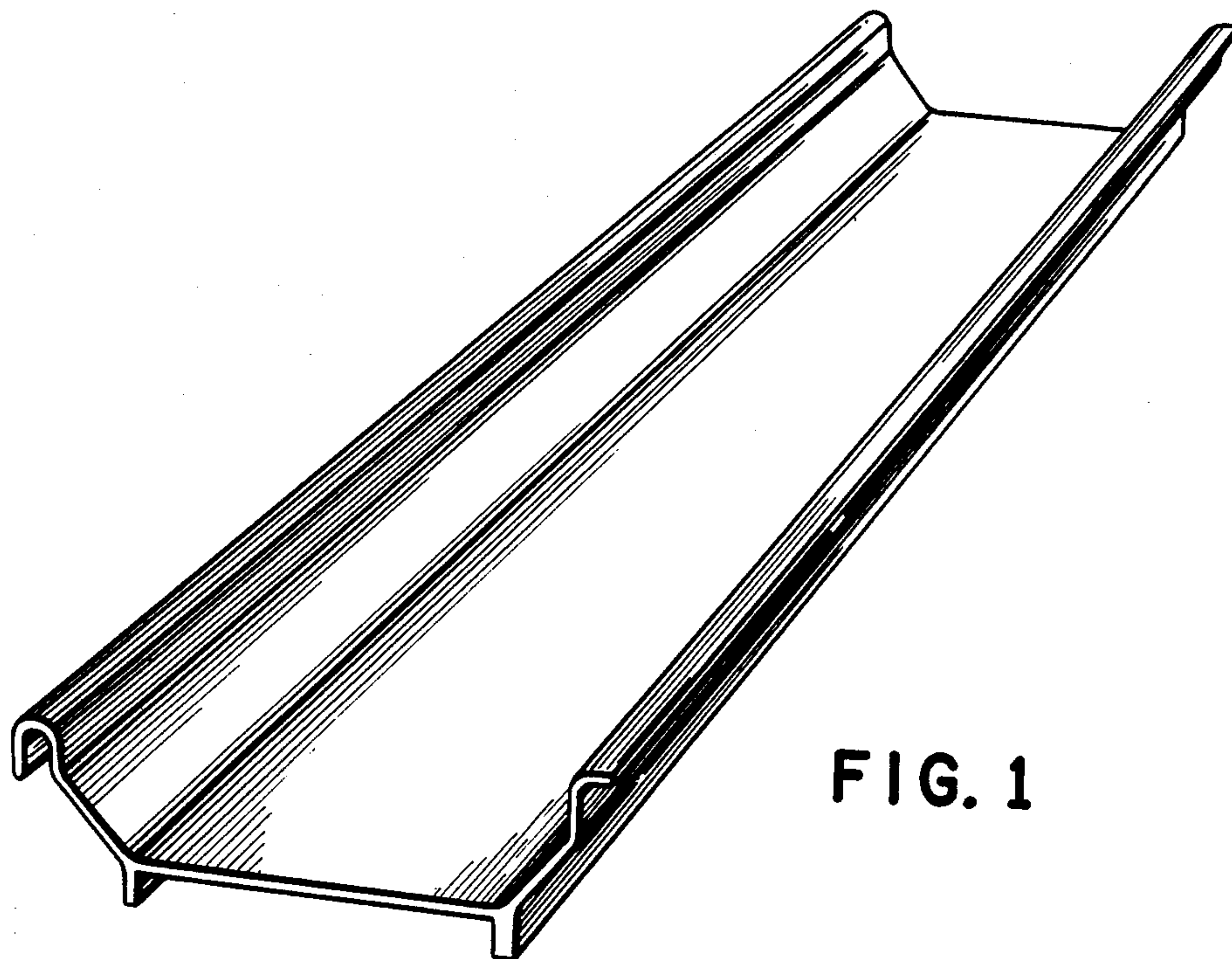


FIG. 1

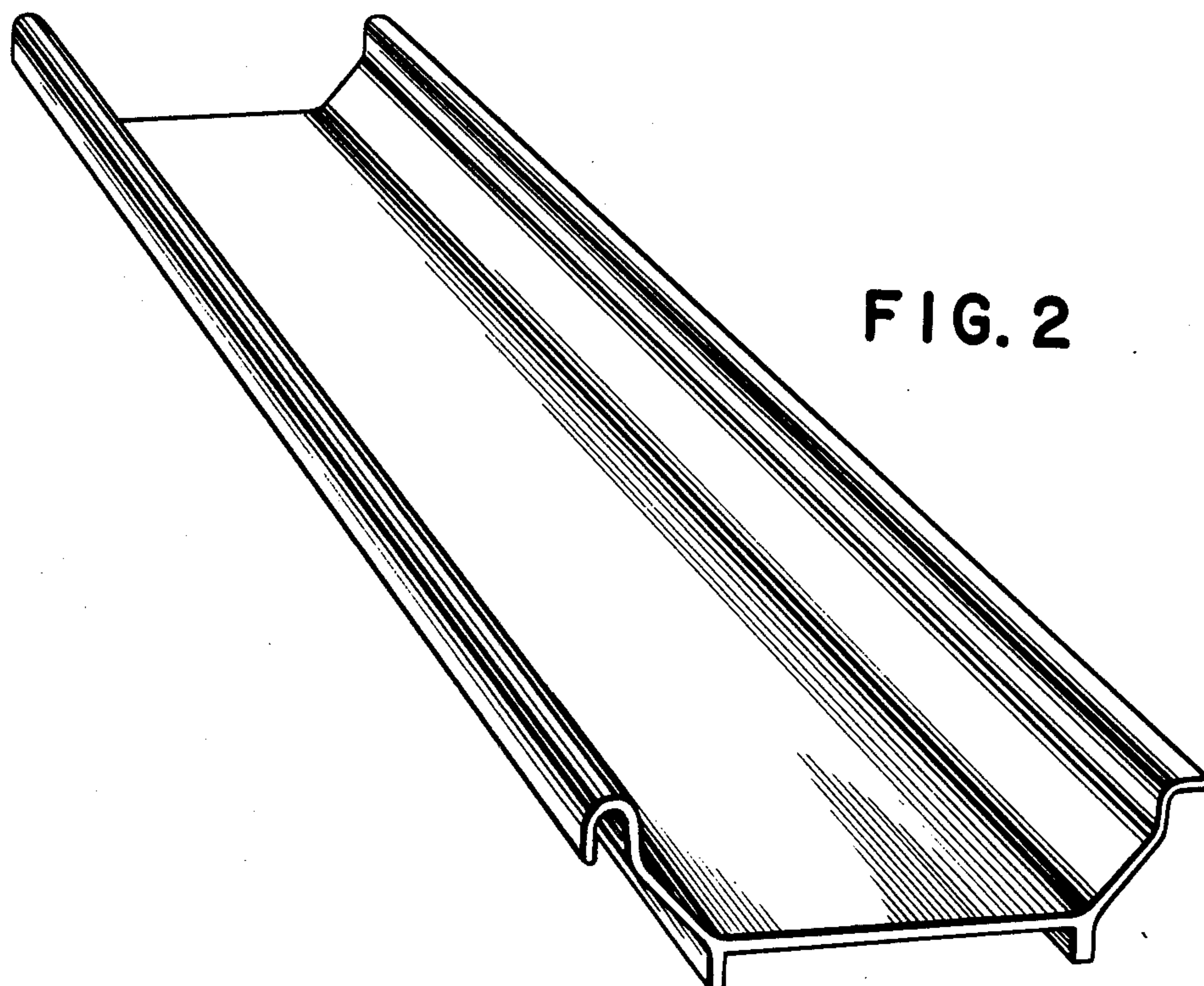


FIG. 2

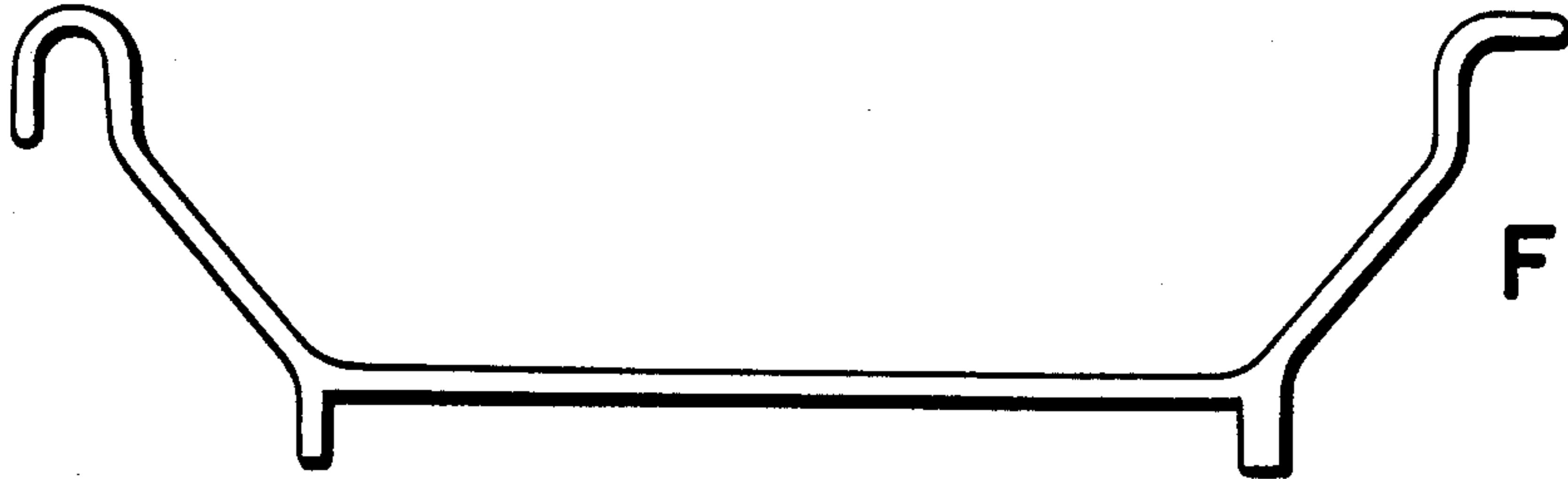


FIG. 4

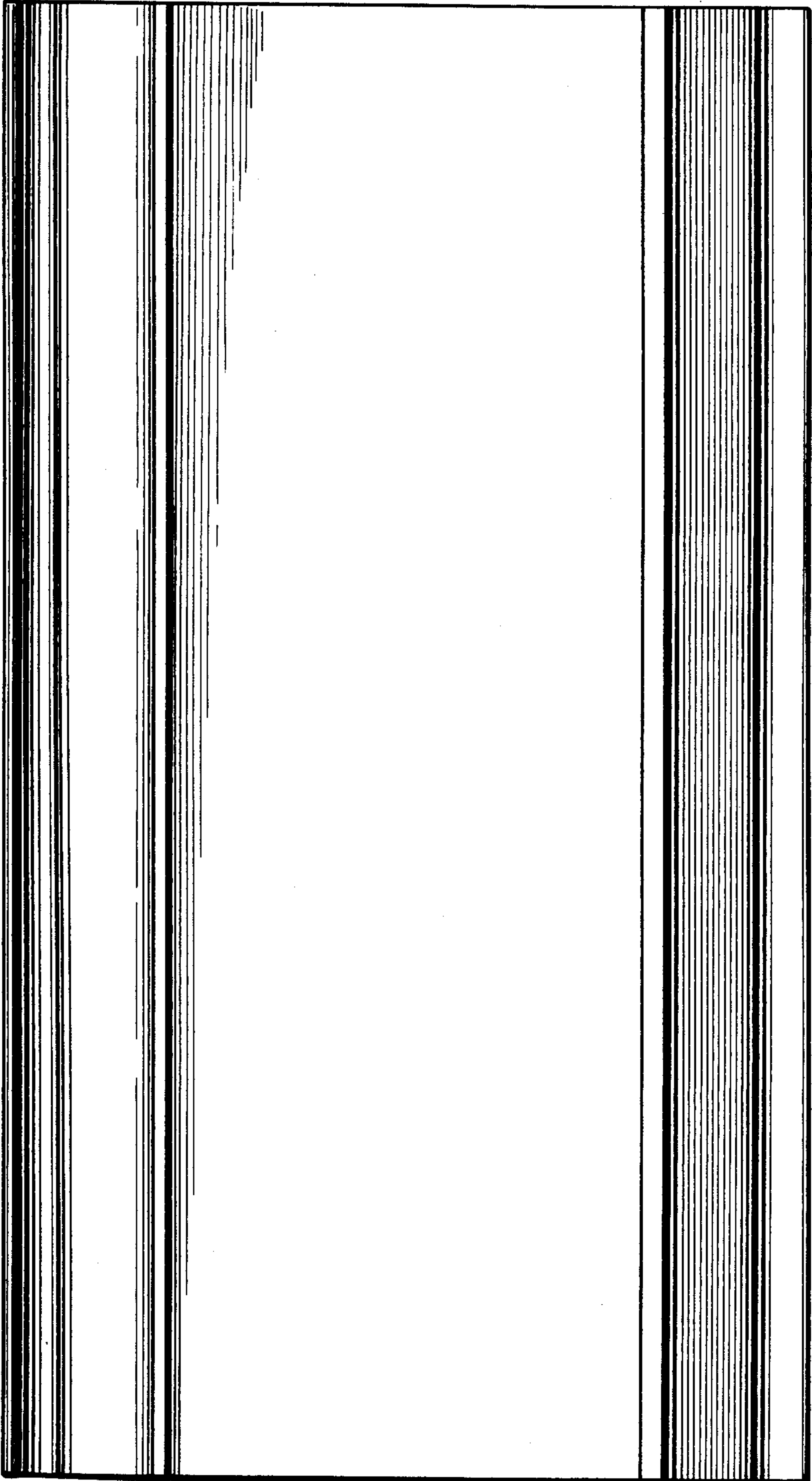


FIG. 3