

[54] GARAGE DOOR

[76] Inventor: Conrad L. Andresen, 5180 N. Wishon Ave., Fresno, Calif. 93705

[**] Term: 14 Years

[21] Appl. No.: 603,217

[22] Filed: Aug. 8, 1975

[51] Int. Cl. D25-02

[52] U.S. Cl. D25/48

[58] Field of Search D25/47, 48, 49; 52/311, 52/314, 455, 316; D6/192, 193, 151, 158, 159, 160, 164, 167, 168, 169, 149

[56] References Cited

U.S. PATENT DOCUMENTS

3,634,986	1/1972	Ford et al.	52/455 X
D. 224,926	10/1972	Adkinson	D6/169
D. 227,843	7/1973	Adkinson	D6/164 X

OTHER PUBLICATIONS

Handbook of Standard Door Designs, © 1970, p. 5 Door, Style 307-2.

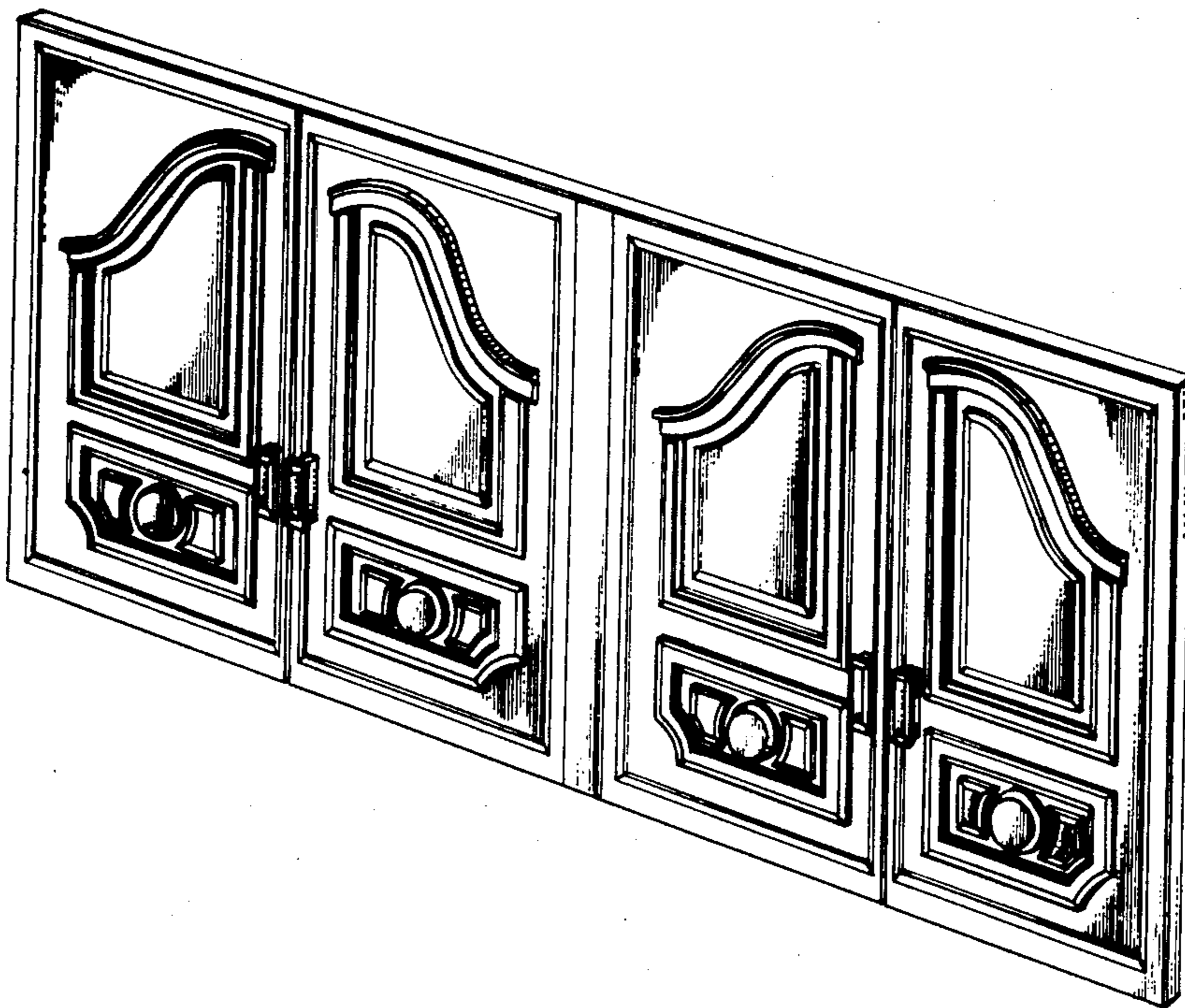
Primary Examiner—A. Hugo Word
Attorney, Agent, or Firm—Francis A. Utecht

[57] CLAIM

The ornamental design for a garage door, substantially as shown and described.

DESCRIPTION

FIG. 1 is a front perspective view of a garage door showing my new design;
 FIG. 2 is a front elevational view of the door shown in FIG. 1;
 FIG. 3 is a back perspective view of the door shown in FIG. 1;
 FIG. 4 is a right hand end view of the door shown in FIG. 2;
 FIG. 5 is a bottom view of the door shown in FIG. 2; and
 FIG. 6 is a partial, vertical sectional view in enlarged scale, taken along the line 6-6 of FIG. 2.



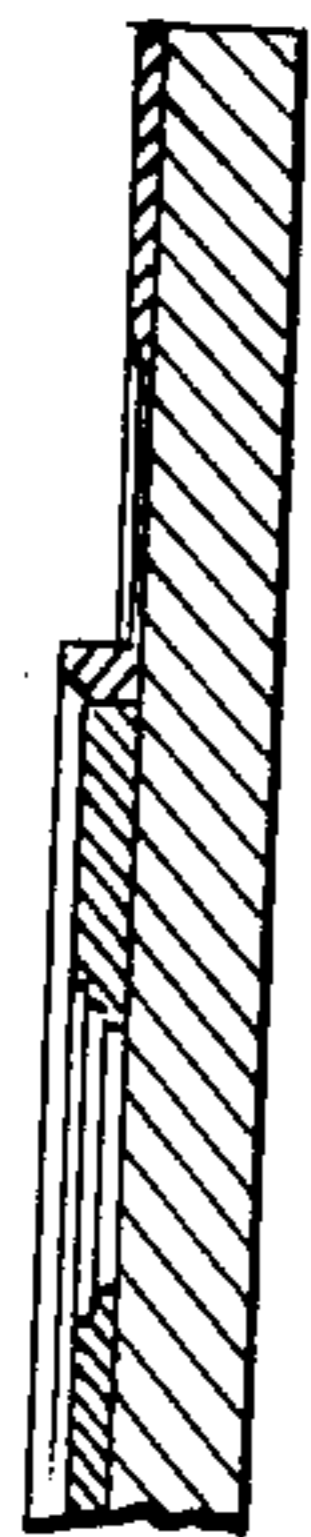
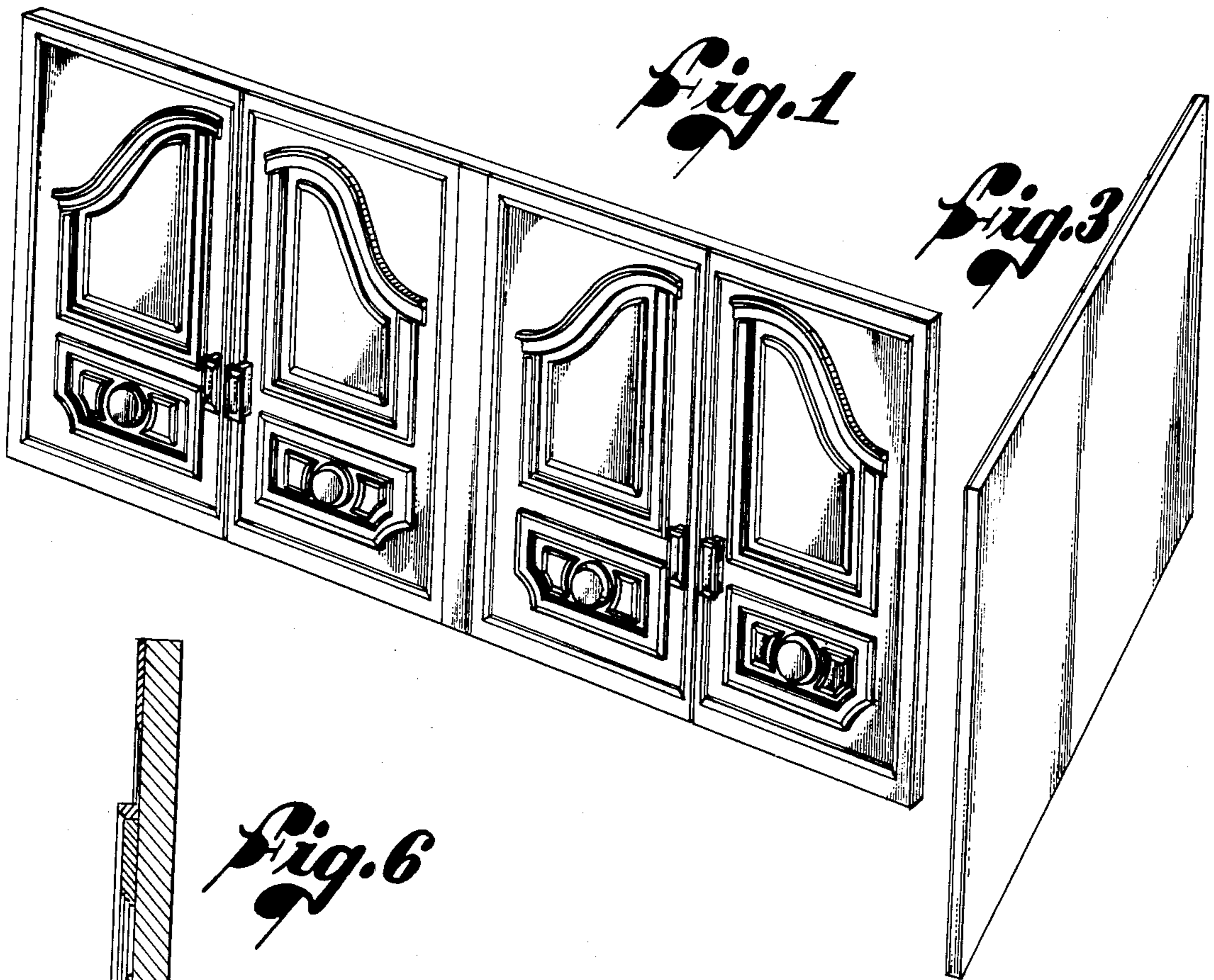


Fig. 6

6

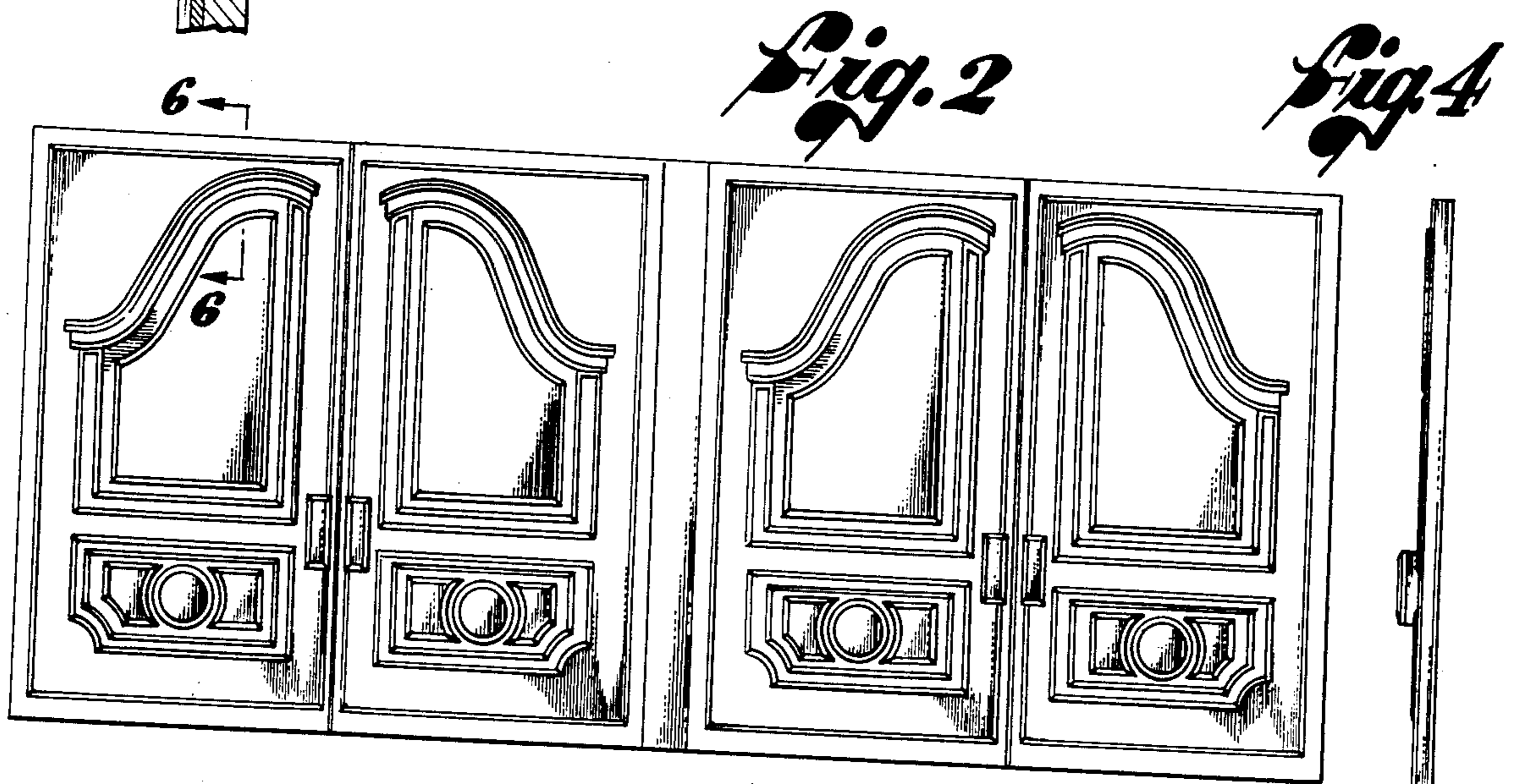


Fig. 2

Fig. 4

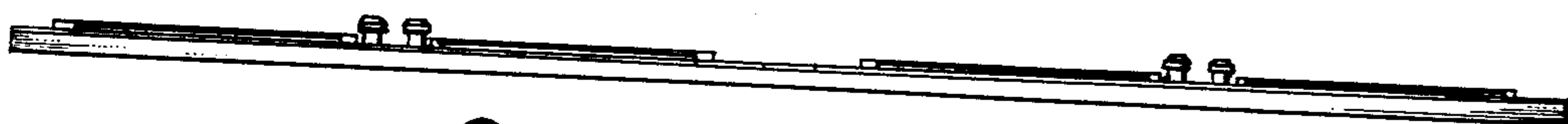


Fig. 5