

[54] TIBIAL PROSTHESIS

[75] Inventor: George Shen, Warsaw, Ind.

[73] Assignee: Zimmer U.S.A. Inc.

[**] Term: 14 Years

[21] Appl. No.: 653,340

[22] Filed: Jan. 29, 1976

[51] Int. Cl. D24-03

[52] U.S. Cl. D24/33

[58] Field of Search D83/1 E; 128/92 CA,
128/92 C, DIG. 21; 3/1.91, 1.911, 1.913;
D24/33

[56] References Cited

U.S. PATENT DOCUMENTS

3,872,519	3/1975	Giannestras	3/1.91
3,953,899	5/1976	Charnley	3/1.911
4,000,525	1/1977	Klawitter	3/1.91

Primary Examiner—Bernard Ansher

Attorney, Agent, or Firm—David J. Mugford

[57] CLAIM

The ornamental design for a tibial prosthesis, as shown and described.

DESCRIPTION

FIG. 1 is a front perspective view of a tibial prosthesis showing my new design;

FIG. 2 is a top plan view thereof;

FIG. 3 is a side elevation thereof;

FIG. 4 is a side elevation as seen from the side opposite FIG. 3;

FIG. 5 is a front elevation thereof;

FIG. 6 is a bottom plan view thereof;

FIG. 7 is a bottom plan view of a second modified embodiment of the tibial prosthesis illustrated in FIGS. 1 and 6;

FIG. 8 is a front perspective view of a third modified embodiment of the tibial prosthesis illustrated in FIG. 1;

FIG. 9 is a front perspective of a fourth modified embodiment of the tibial prosthesis illustrated in FIG. 1; and

FIG. 10 is a front perspective view of a fifth modified embodiment of the tibial prosthesis illustrated in FIG. 1.

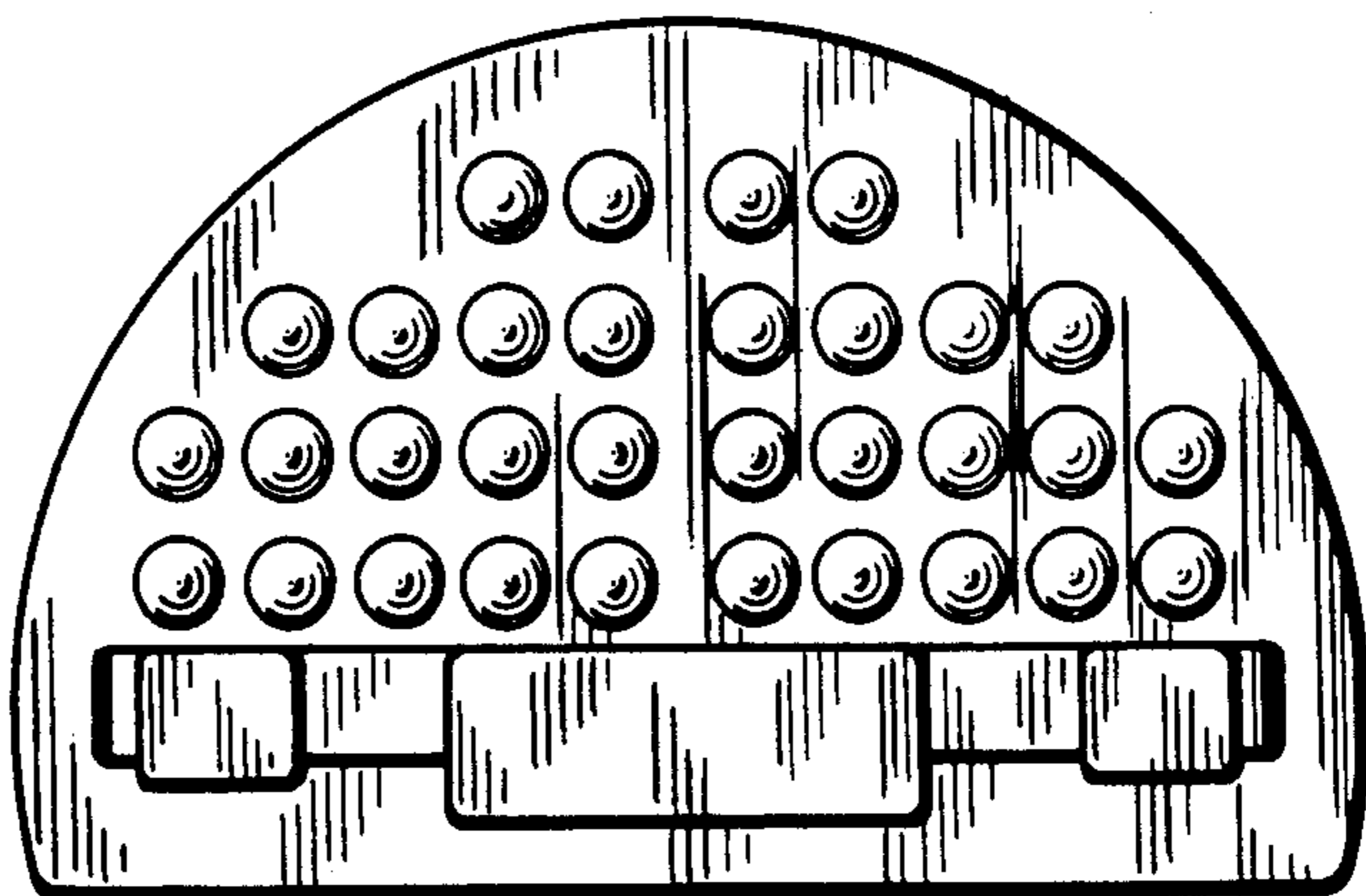
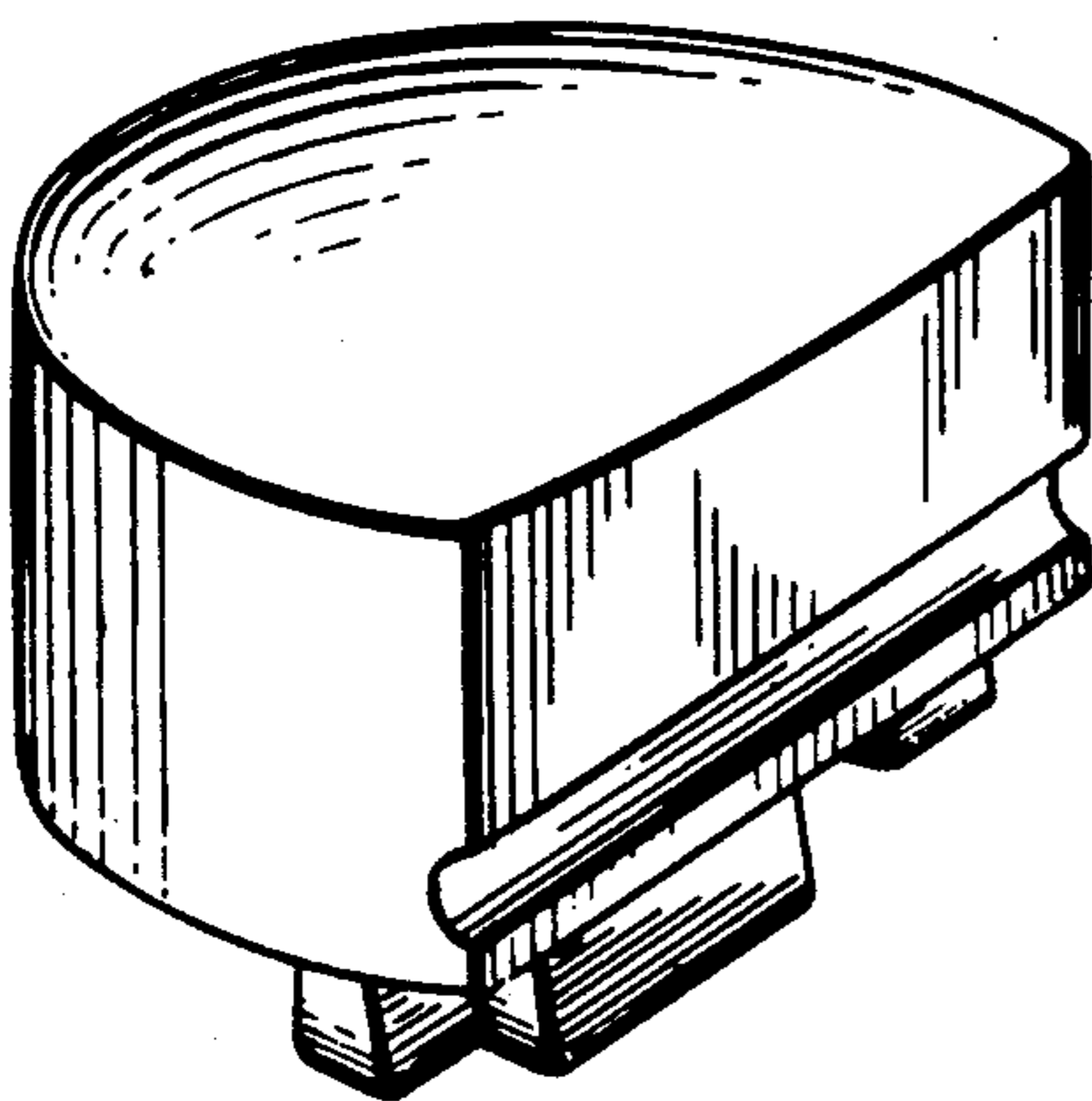


Fig. 1.

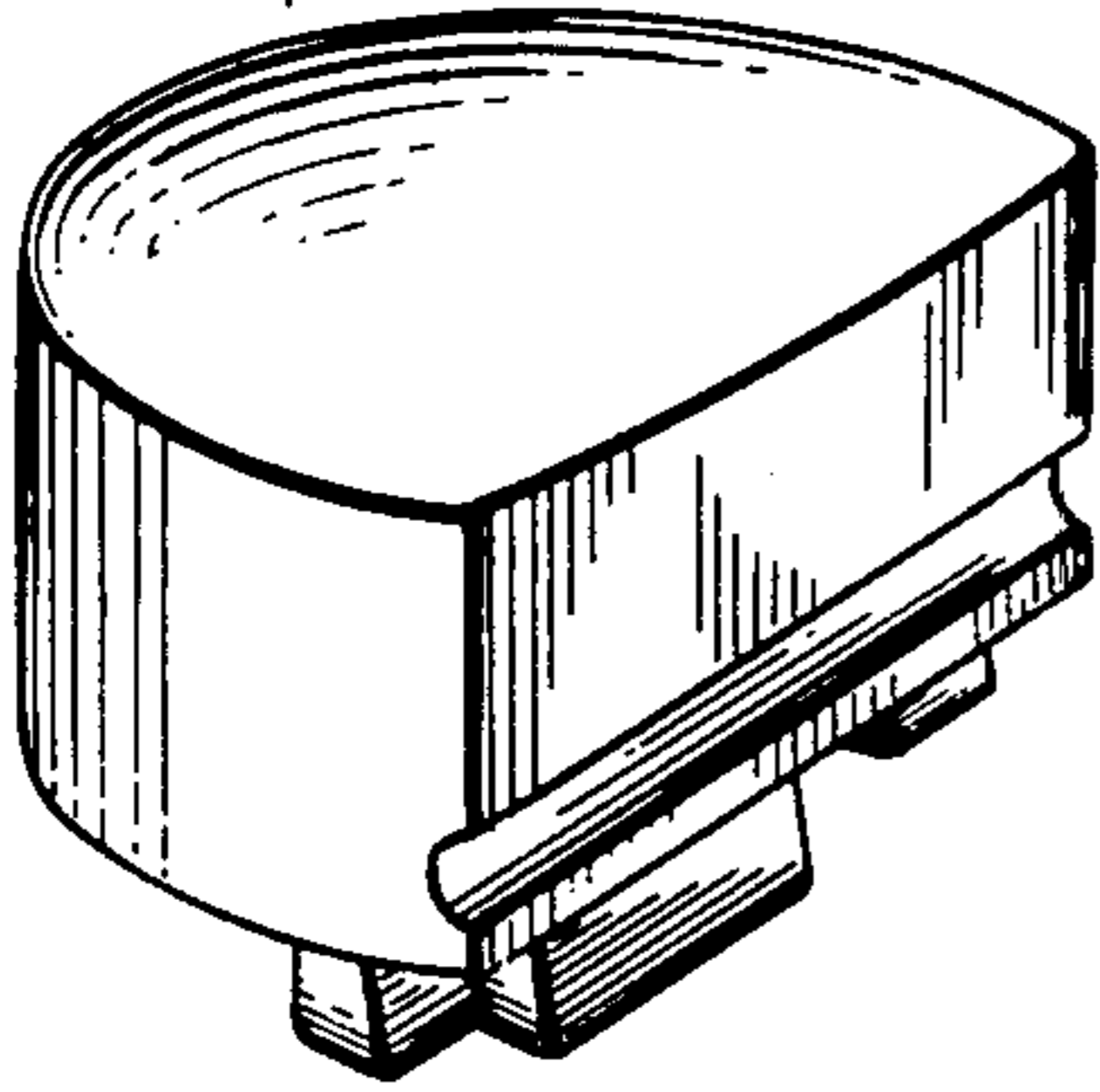


Fig. 10.

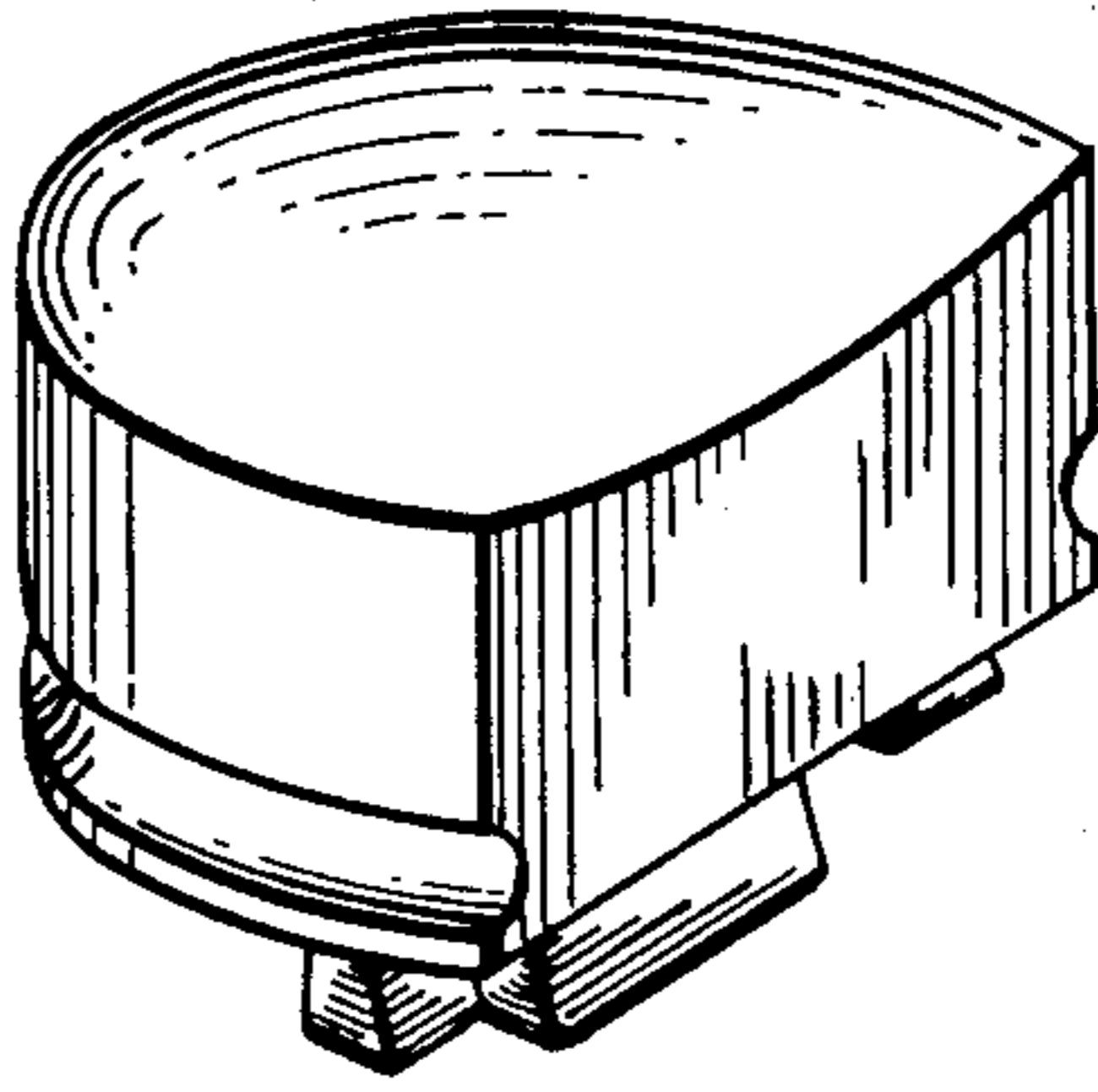


Fig. 5.

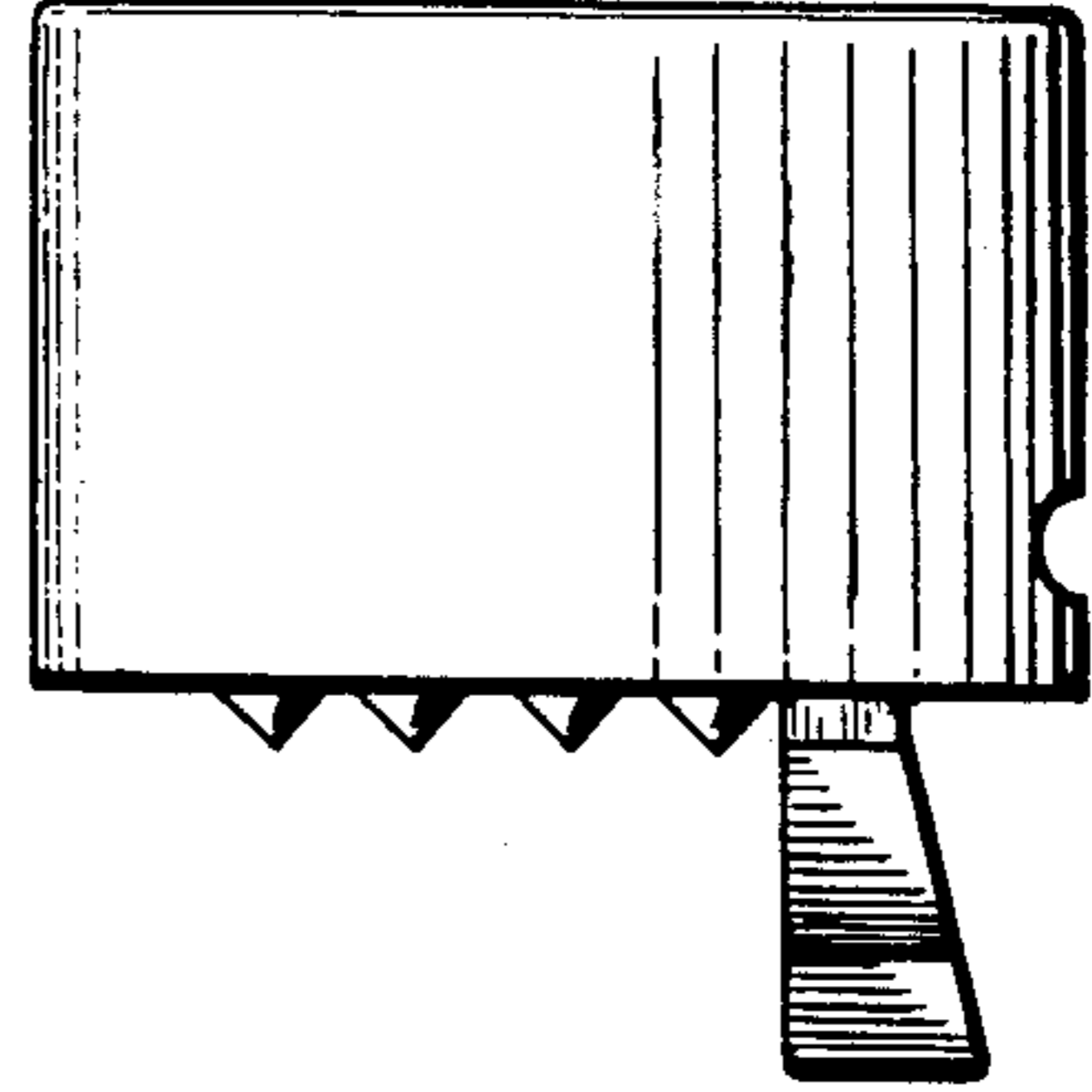


Fig. 8.

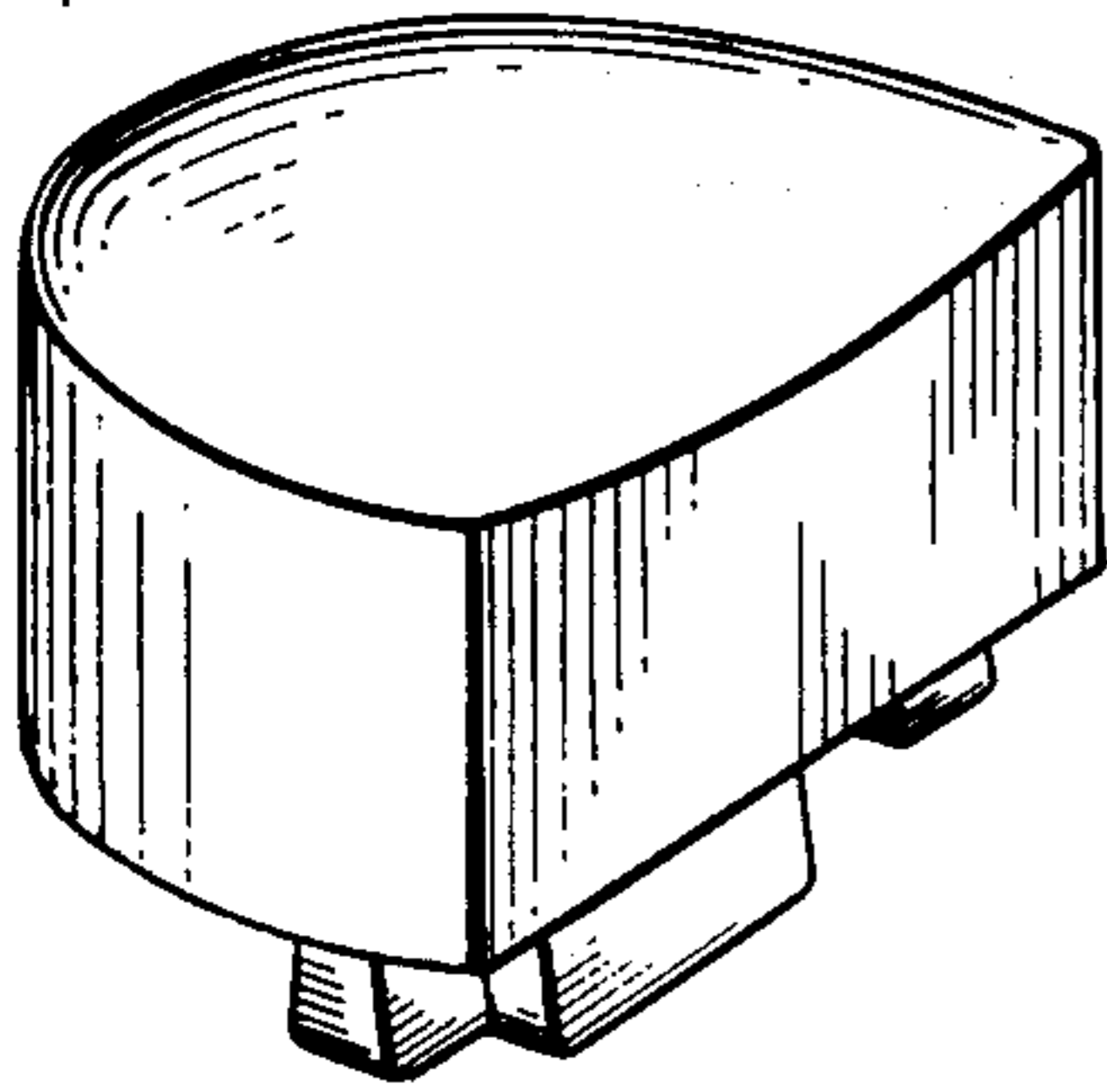


Fig. 2.

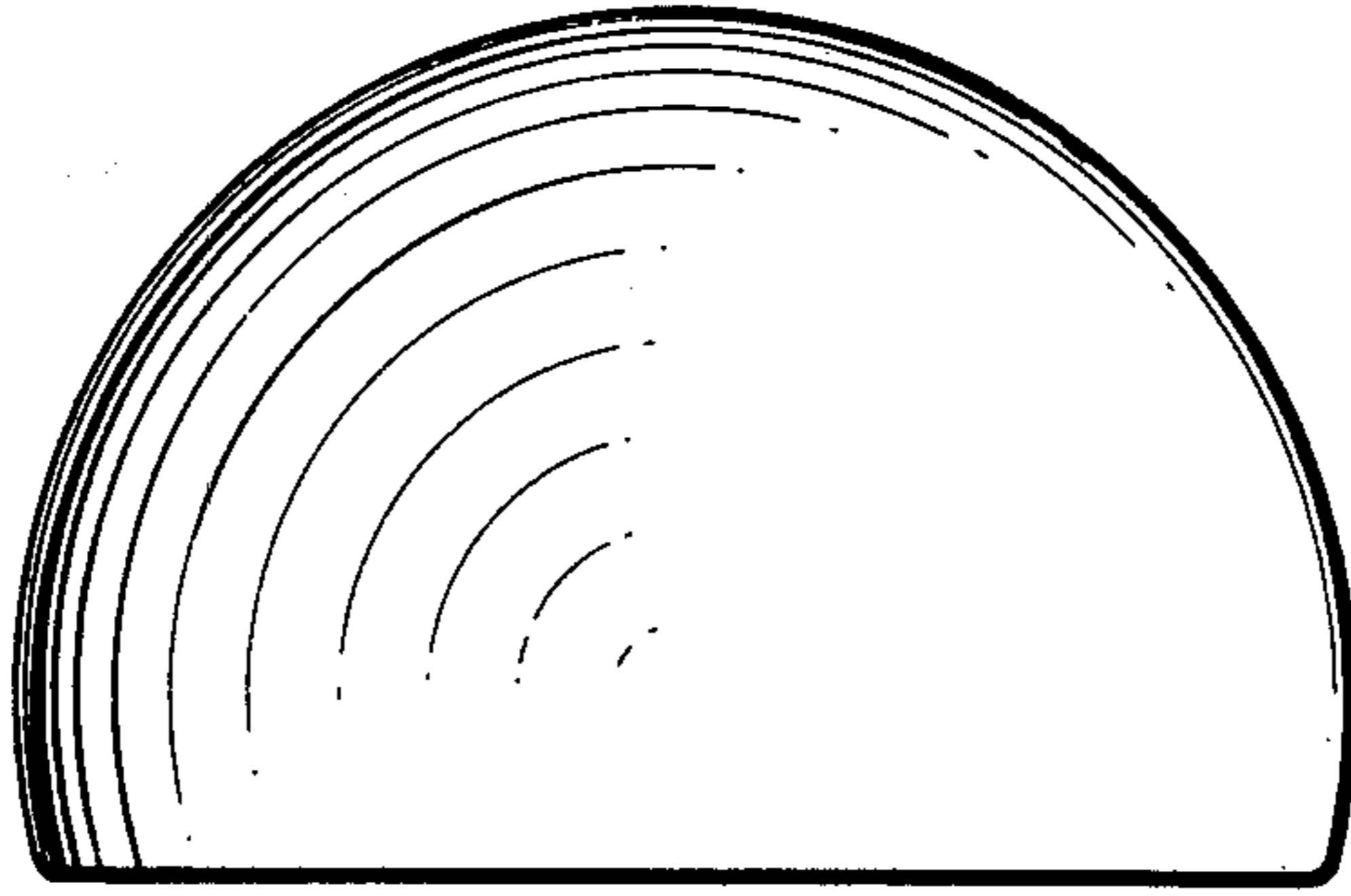


Fig. 9.

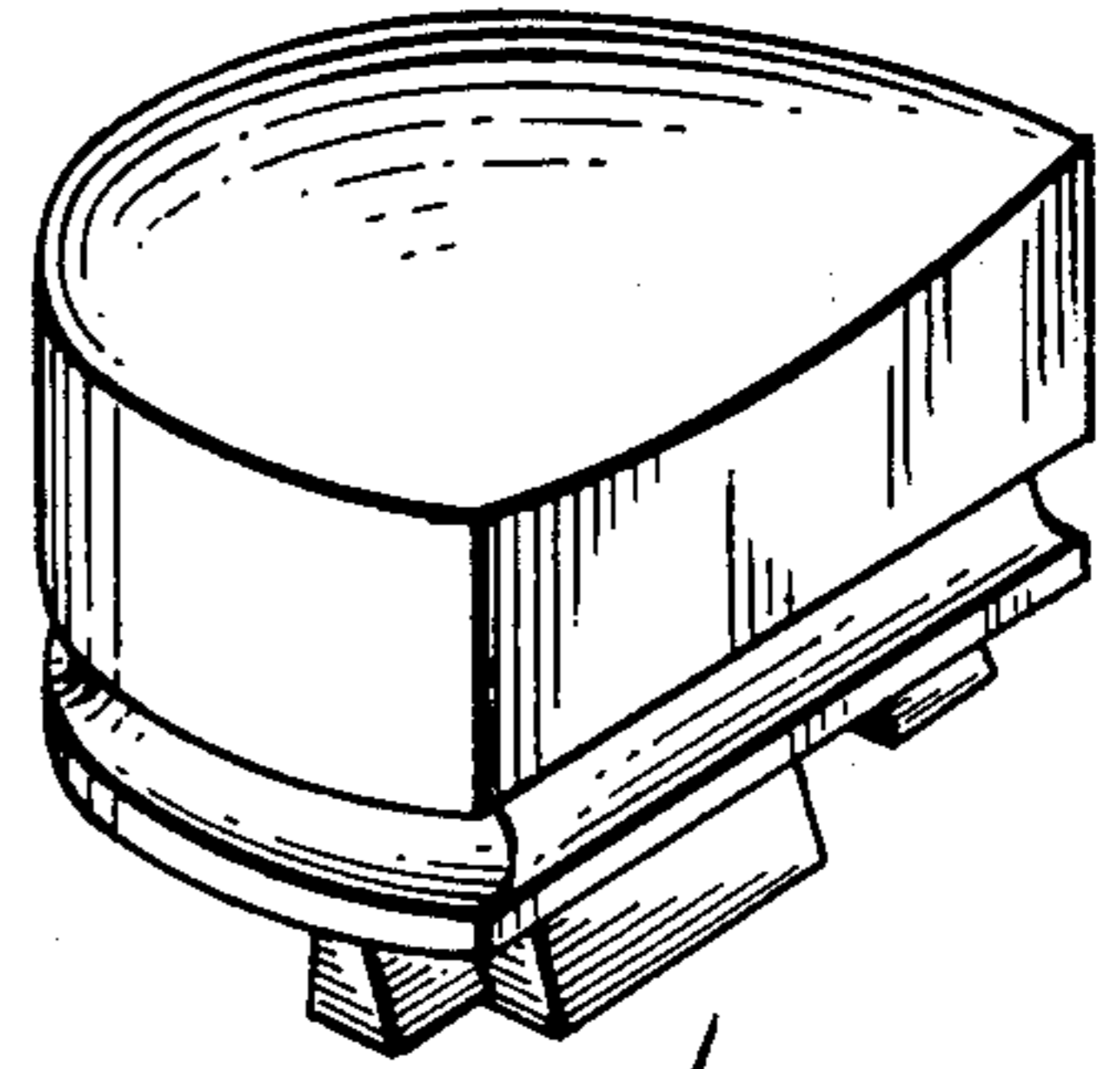


Fig. 3.

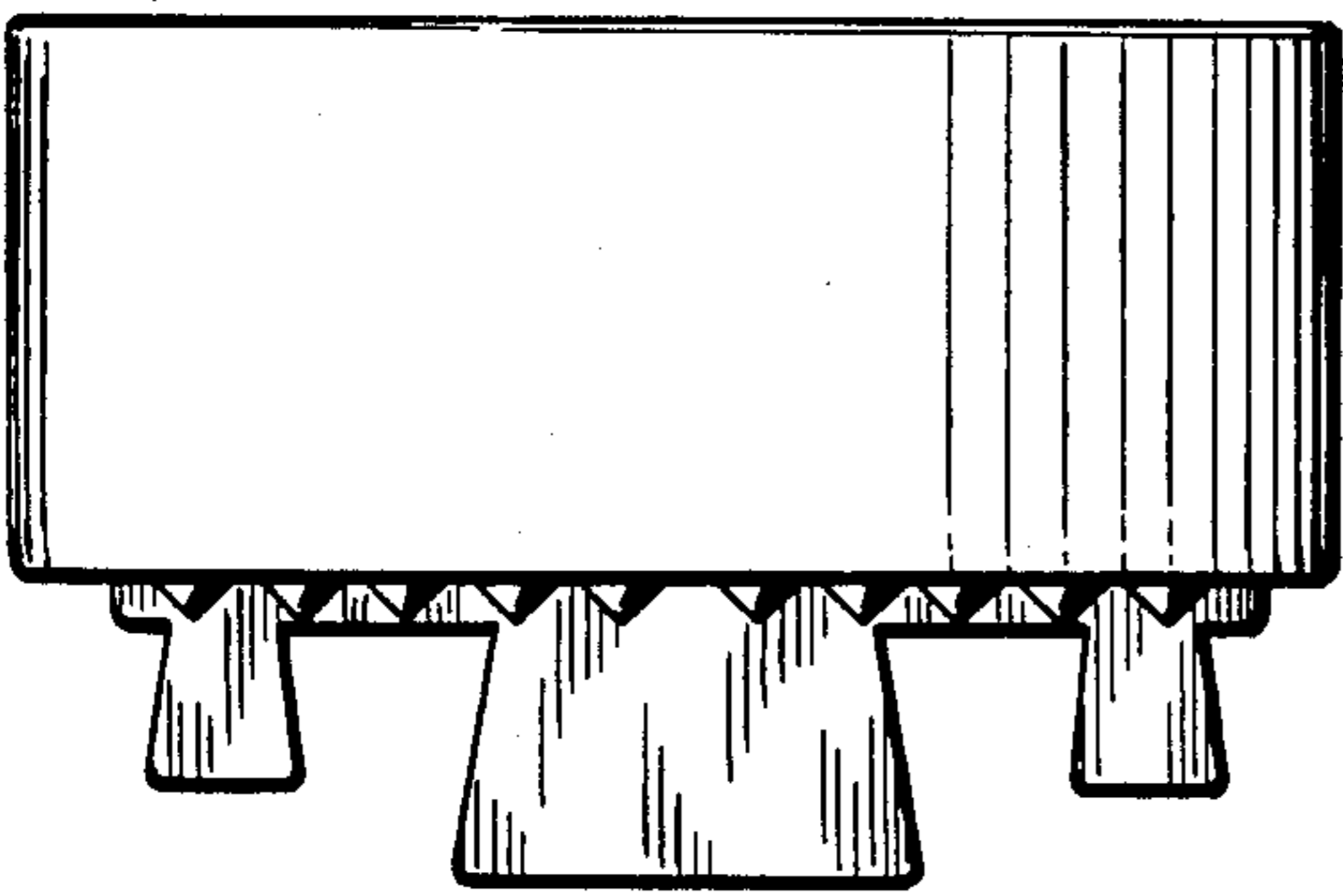


Fig. 4.

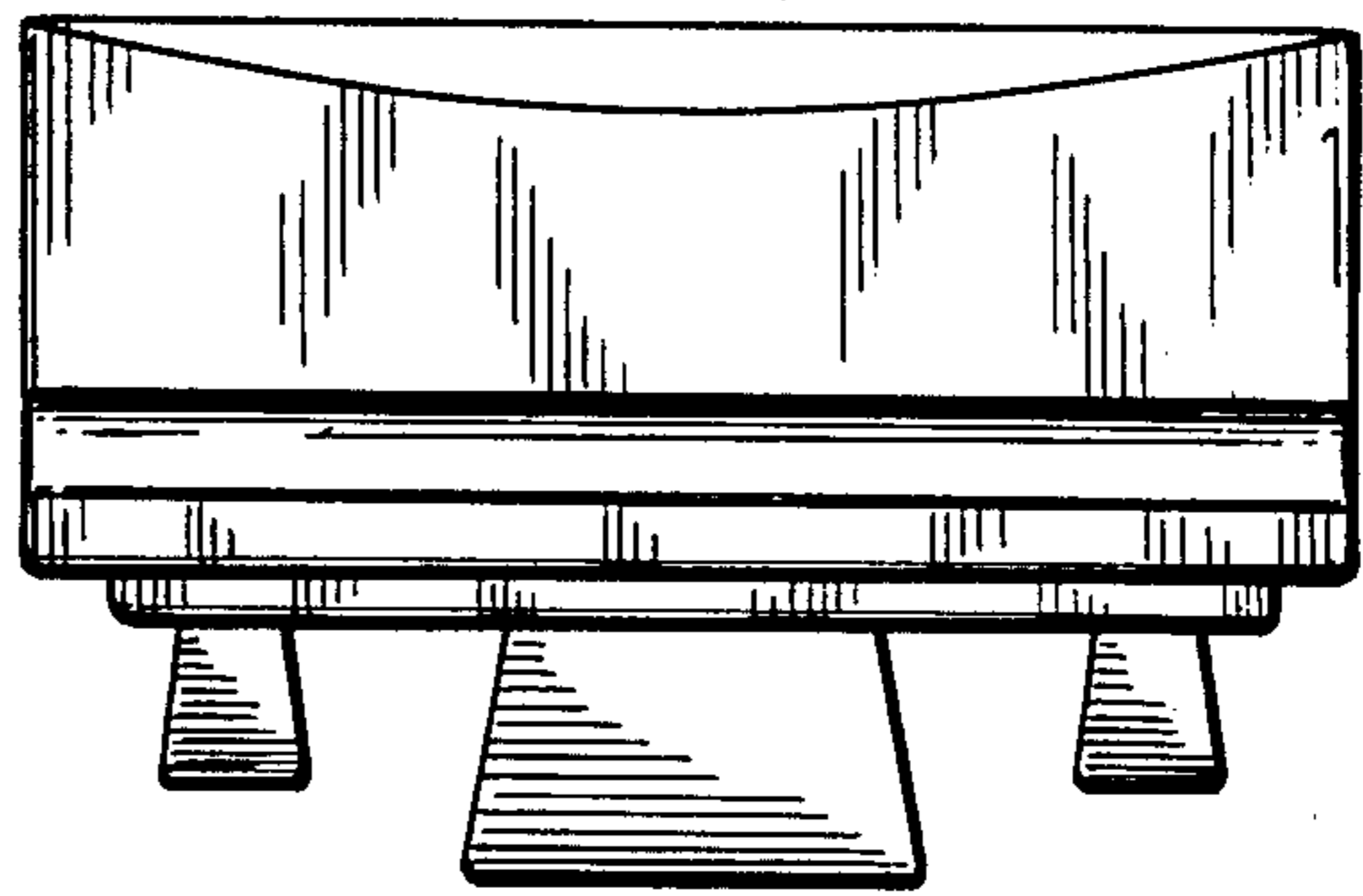


Fig. 6.

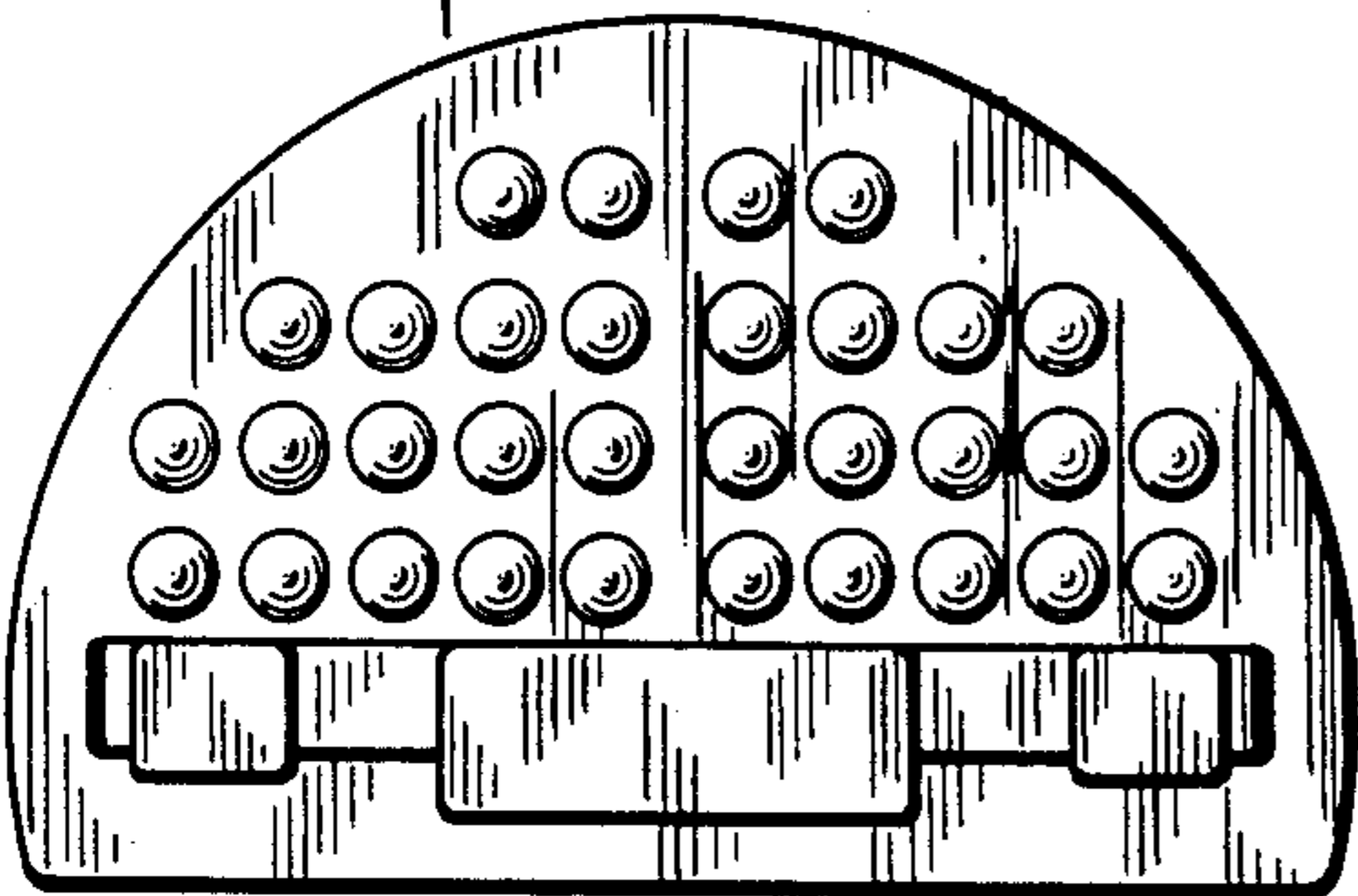


Fig. 7.

