

United States Patent [19]

Heidelbach

[11] **Des. 245,256**

[45] **** Aug. 2, 1977**

[54] **COLLAPSIBLE CHARCOAL LIGHTER**

[76] Inventor: **C. Arthur Heidelbach**, 12 Simpson St., Geneva, Ill. 60134

[**] Term: **14 Years**

[21] Appl. No.: **569,820**

[22] Filed: **Apr. 21, 1975**

[51] Int. Cl. **D23-03**

[52] U.S. Cl. **D23/90.1**

[58] Field of Search **D23/72, 77, 90.1;**
110/1 F; 44/34, 35

[56] **References Cited**

U.S. PATENT DOCUMENTS

2,920,614 1/1960 Phelps 110/1 F

3,453,975	7/1969	Gunter	110/1 F
3,734,034	5/1973	Fowler	110/1 F
3,884,214	6/1973	Duncan	126/25 B
3,934,520	1/1976	Brennan et al.	110/1 F

Primary Examiner—Wallace R. Burke

Assistant Examiner—B. J. Bullock

Attorney, Agent, or Firm—Jacque L. Meister

[57] **CLAIM**

The ornamental design for a collapsible charcoal lighter, substantially as shown.

DESCRIPTION

FIG. 1 is a front top perspective view of a collapsible charcoal lighter showing my new design;

FIG. 2 is a side and bottom perspective view thereof; and

FIG. 3 is a partial side elevation view thereof.

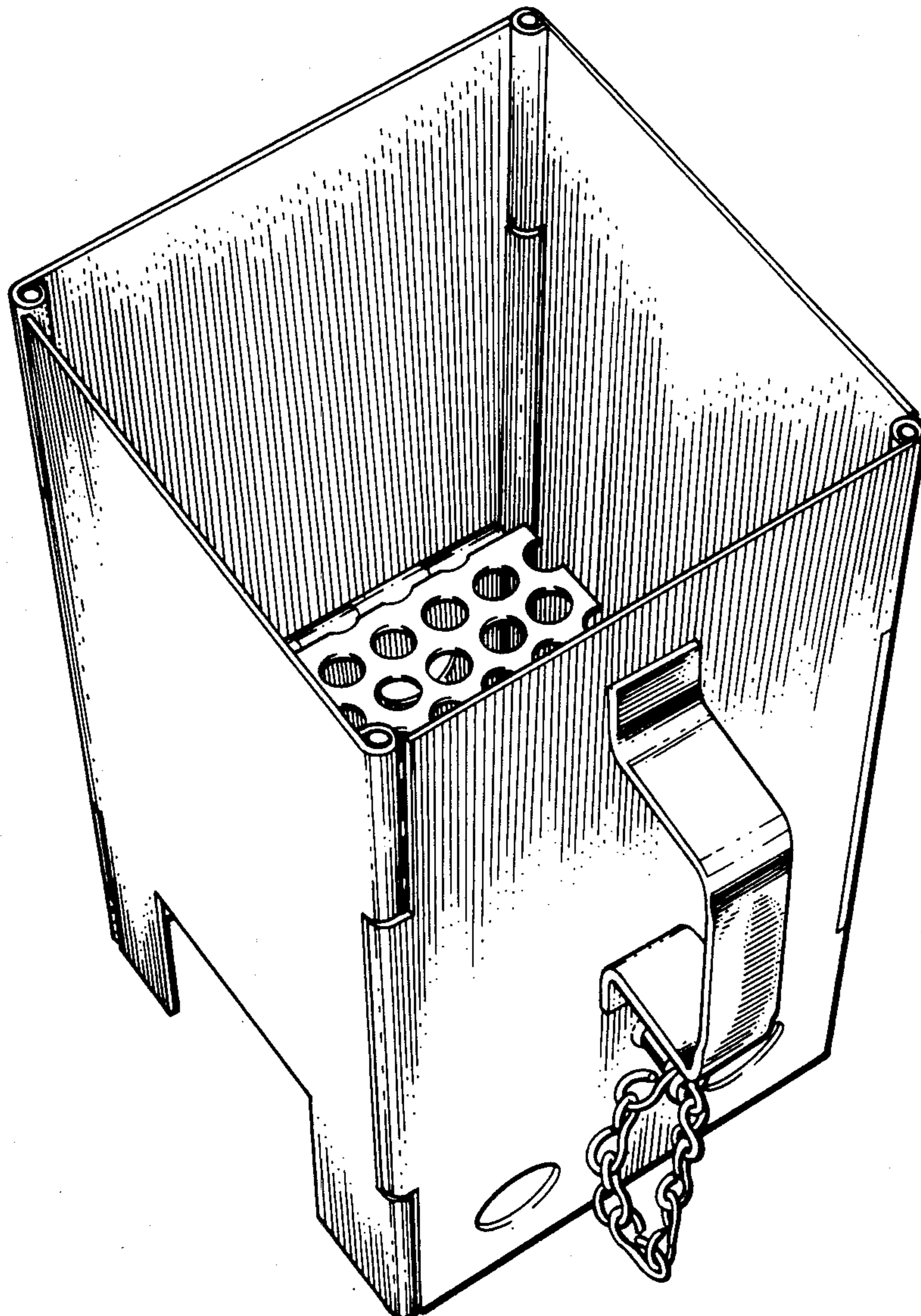


FIG. 1

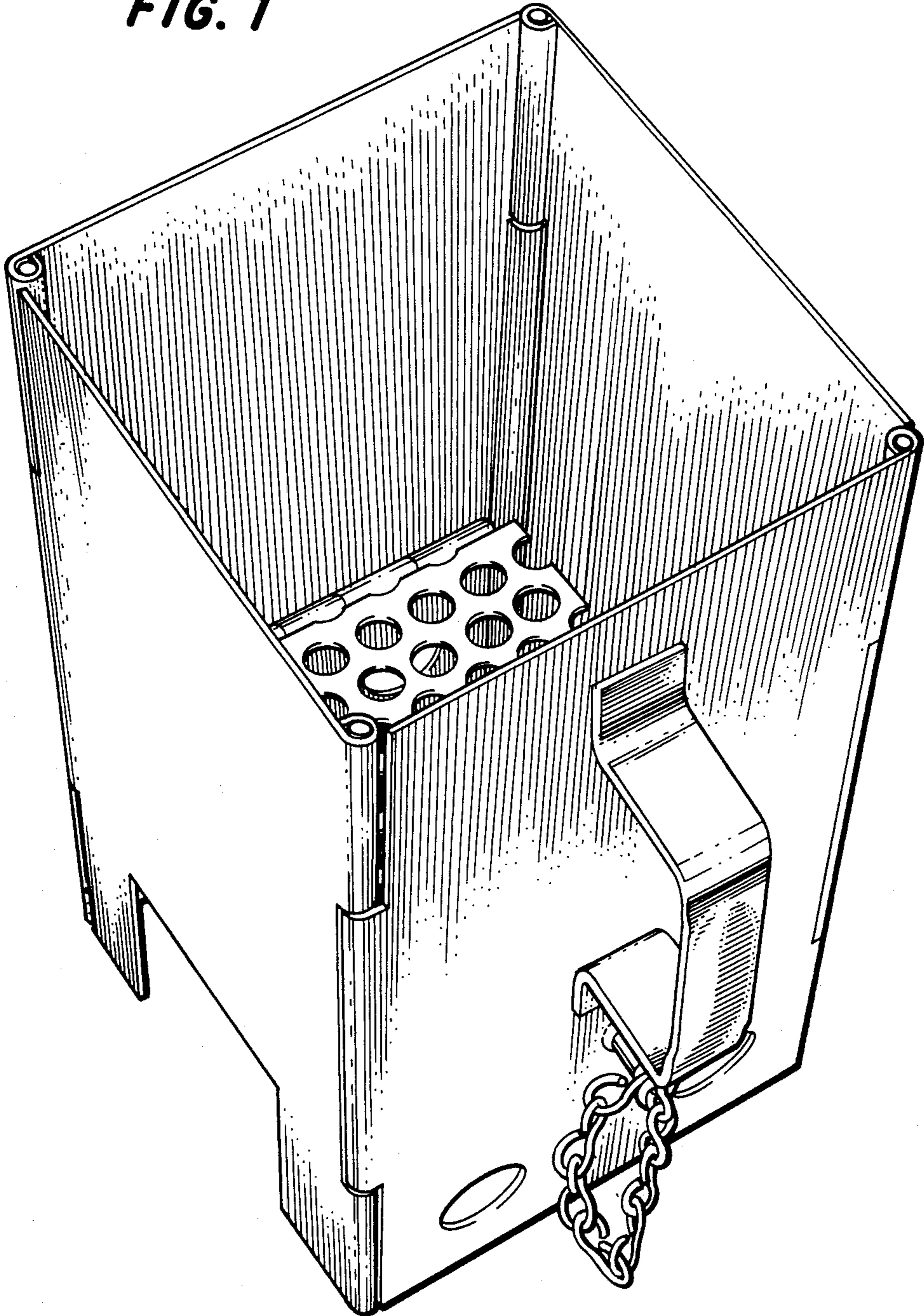


FIG. 2

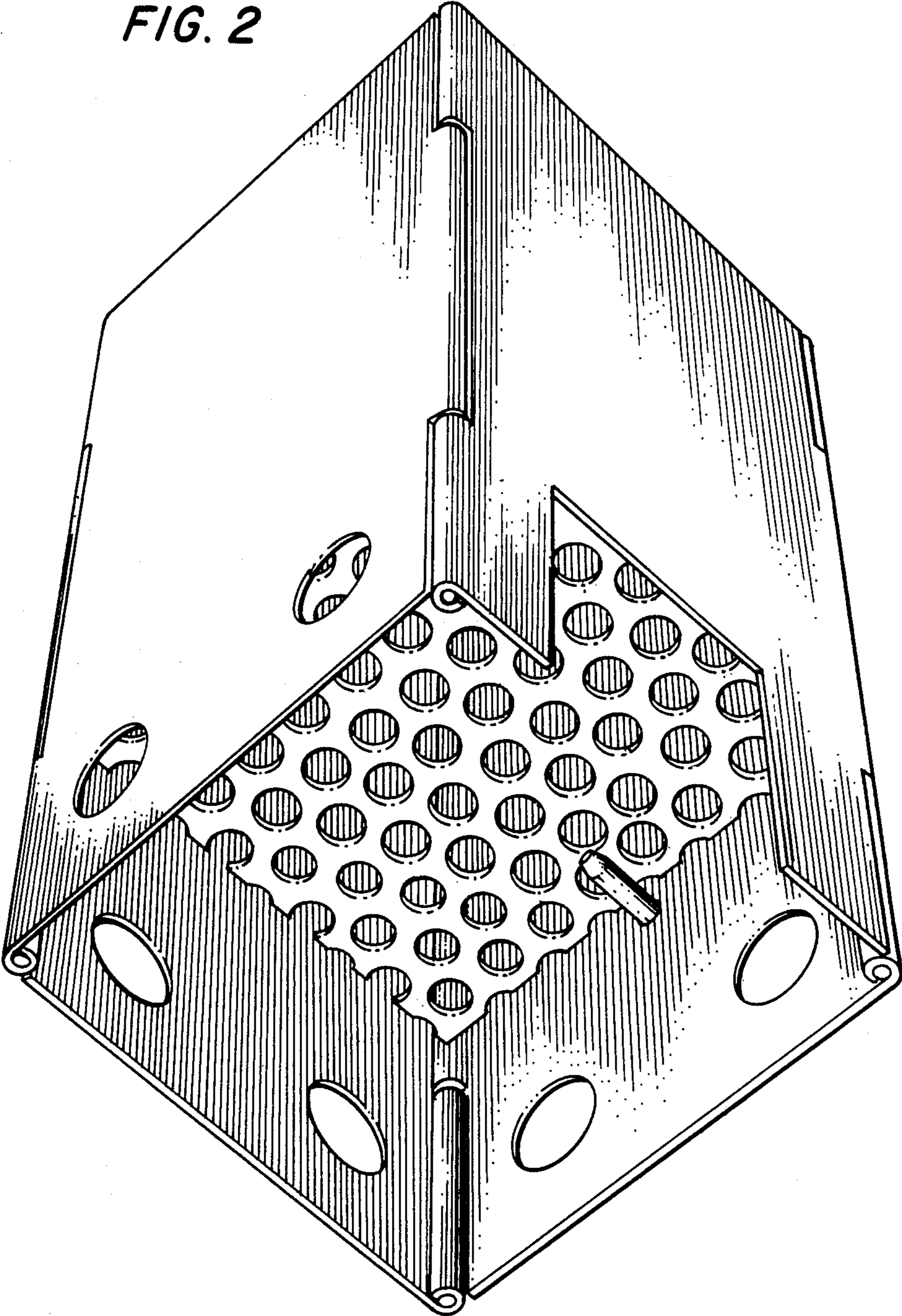


FIG. 3

