

# United States Patent [19]

Porter

[11] **Des. 245,255**

[45] **\*\* Aug. 2, 1977**

[54] **VENT COVER**

[76] Inventor: **William V. Porter**, c/o The Porter Company, 1620 S. Seguin, New Braunfels, Tex. 78130

[\*\*] Term: **14 Years**

[21] Appl. No.: **661,397**

[22] Filed: **Feb. 25, 1976**

[51] Int. Cl. .... **D23—01**

[52] U.S. Cl. .... **D23/41**

[58] Field of Search ..... **D23/41; 98/61, 61 A, 98/122; 220/371, 372**

[56] **References Cited**

## U.S. PATENT DOCUMENTS

1,719,932	7/1929	Holtson	98/122 UX
1,868,730	7/1932	Dowrio	98/122 UX
2,601,820	7/1952	Paul et al.	98/122
2,825,276	3/1958	Porter	98/122

3,469,520	9/1969	Foy et al.	98/122
D. 179,739	2/1957	McClelland	D23/41
D. 211,875	8/1968	Porter	D23/41
D. 223,358	4/1972	Porter	D23/41

*Primary Examiner*—James R. Largen  
*Attorney, Agent, or Firm*—John R. Powell

[57] **CLAIM**

The ornamental design for vent cover, as shown.

## DESCRIPTION

FIG. 1 is a top perspective view of a vent cover showing my new design.

FIG. 2 is a bottom perspective view thereof.

FIG. 3 is a top plan view thereof.

FIG. 4 is an end elevational view thereof.

FIG. 5 is a side elevational view thereof.

FIG. 6 is an elevational view taken from the end opposite that shown in FIG. 4.

FIG. 7 is a bottom plan view thereof.

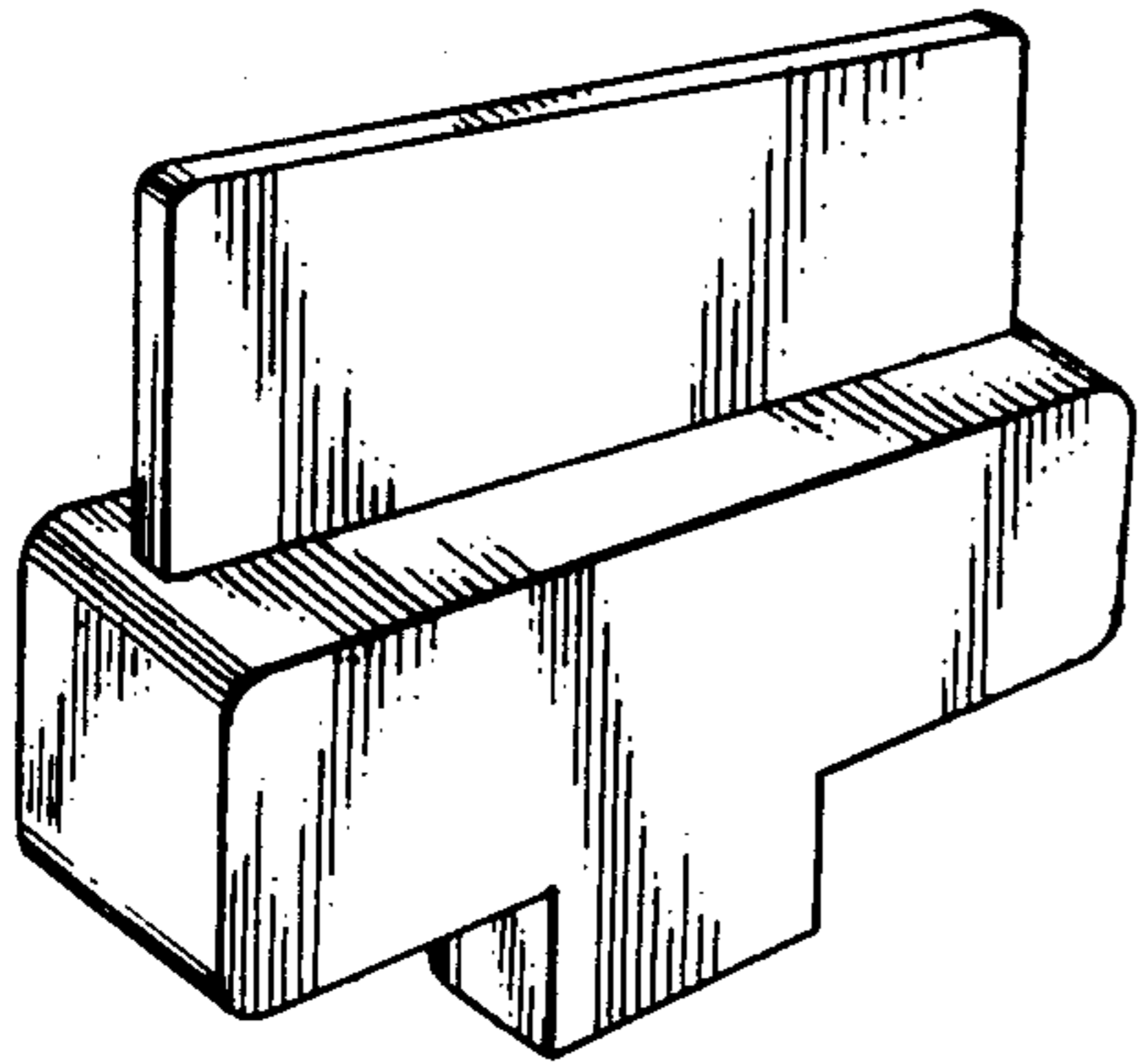


FIG. 1

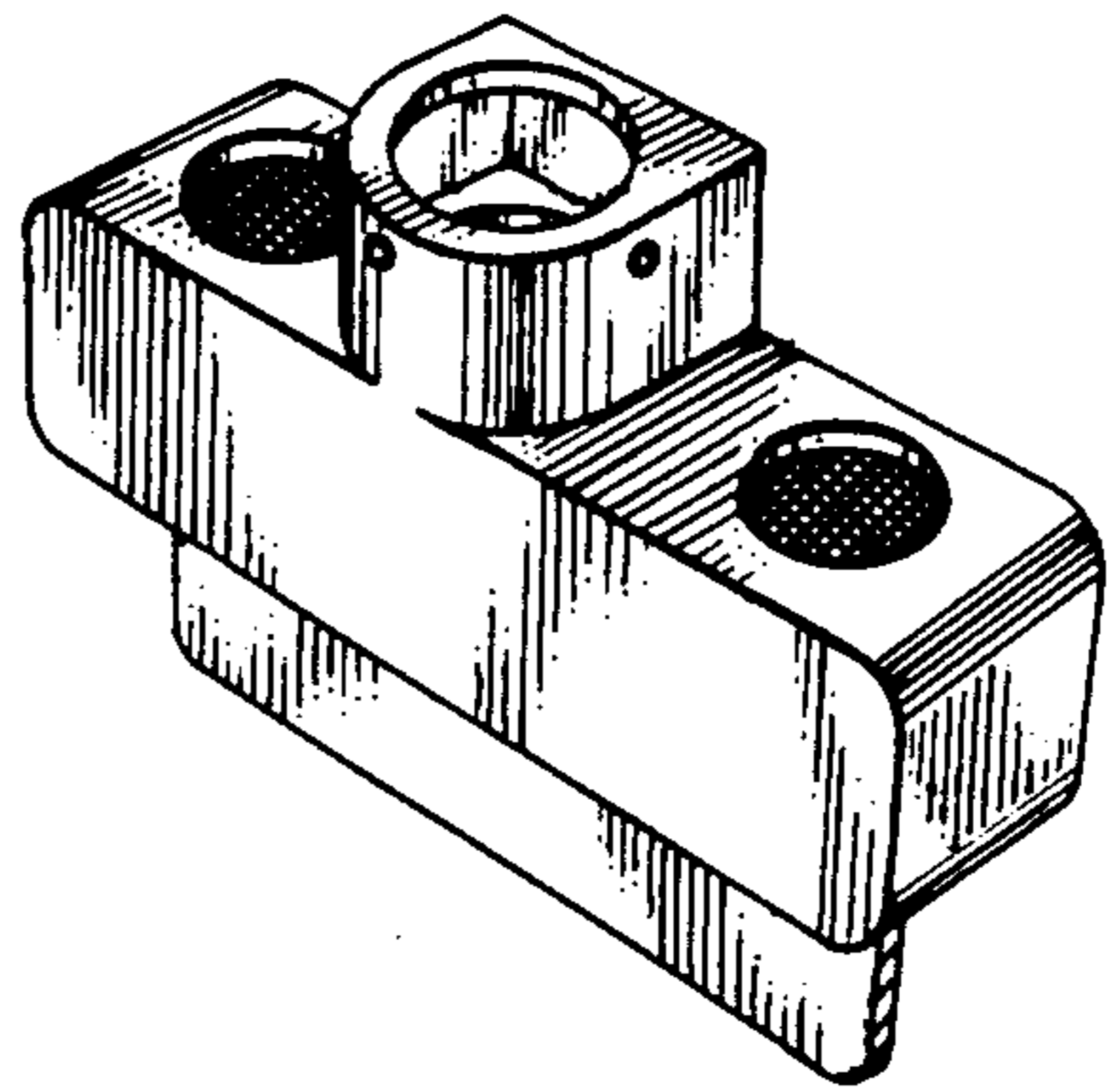


FIG. 2

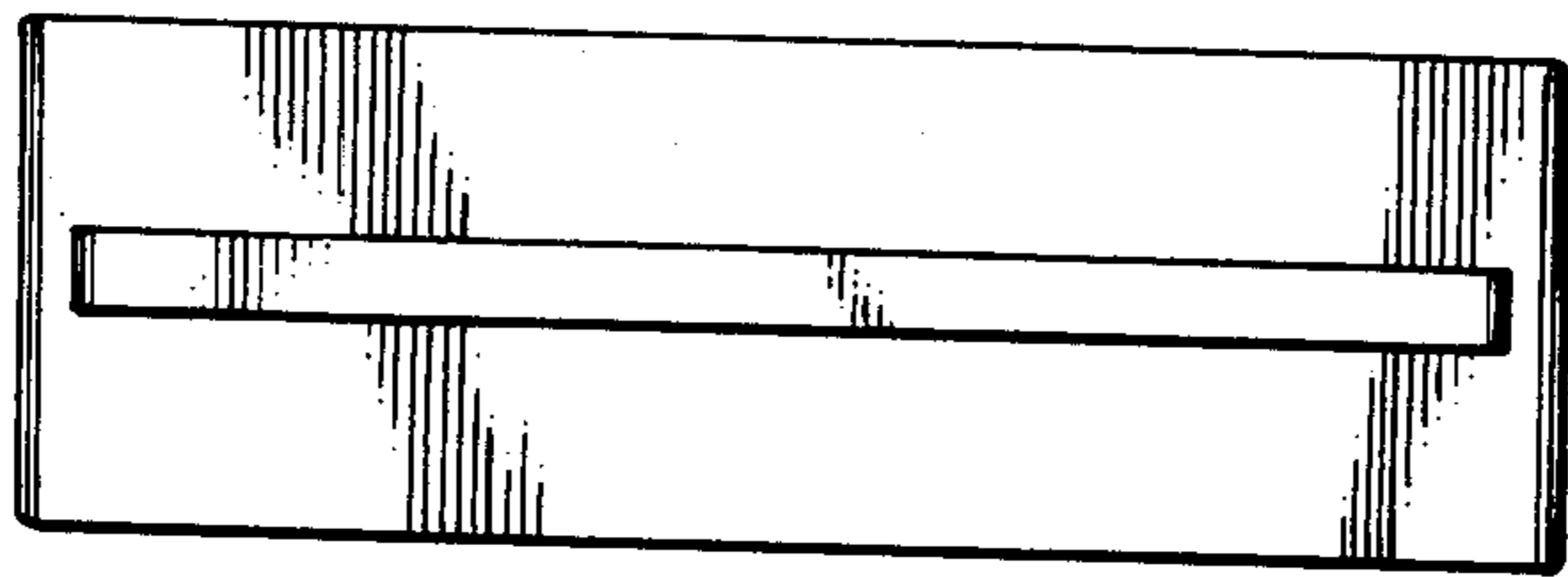


FIG. 3

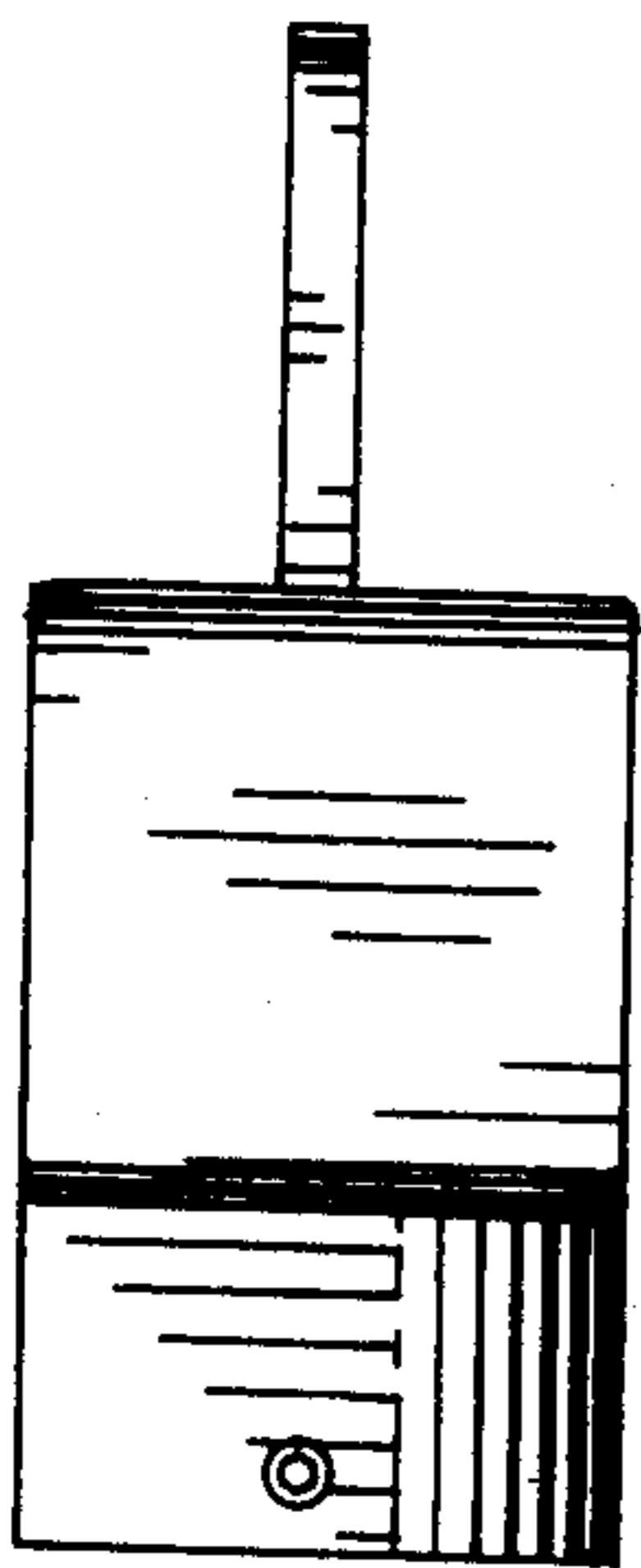


FIG. 4

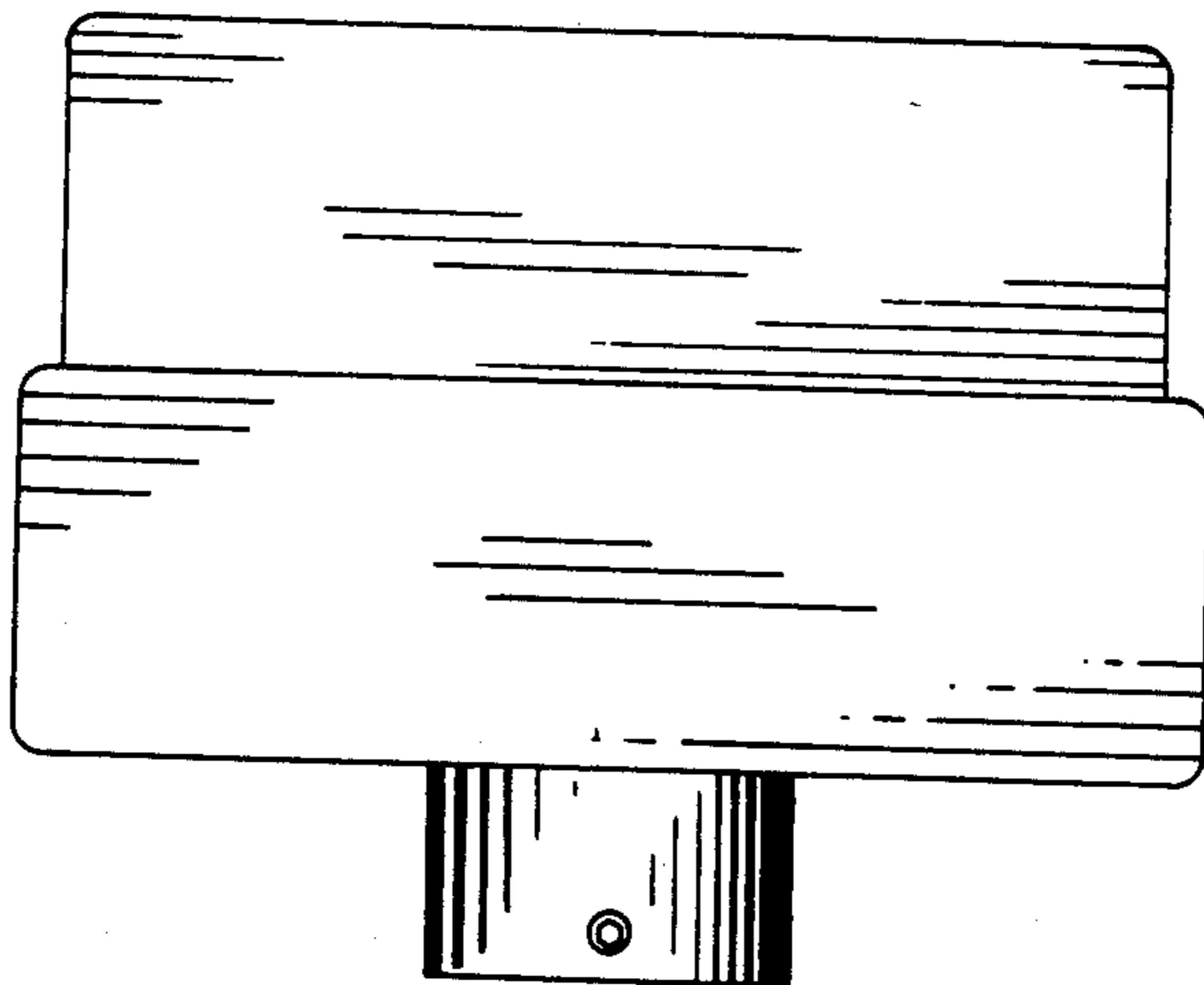


FIG. 5

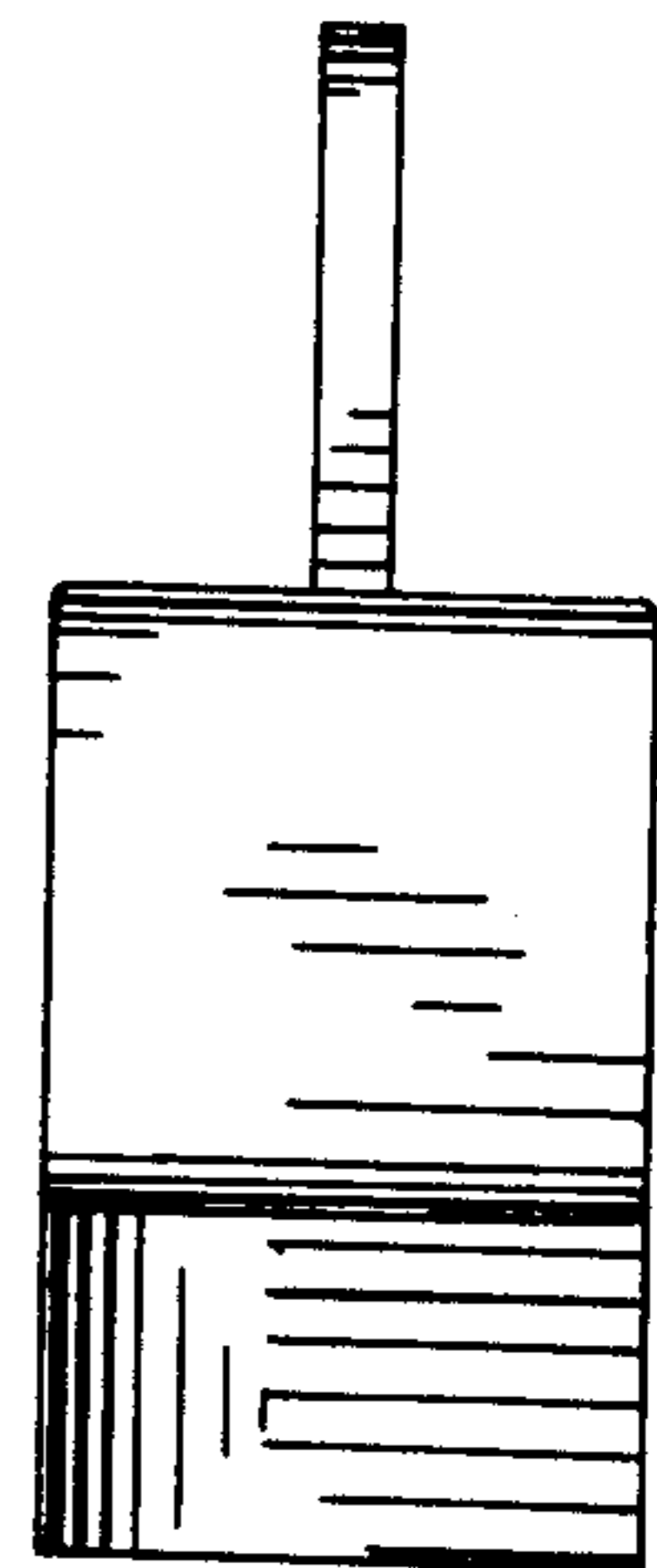


FIG. 6

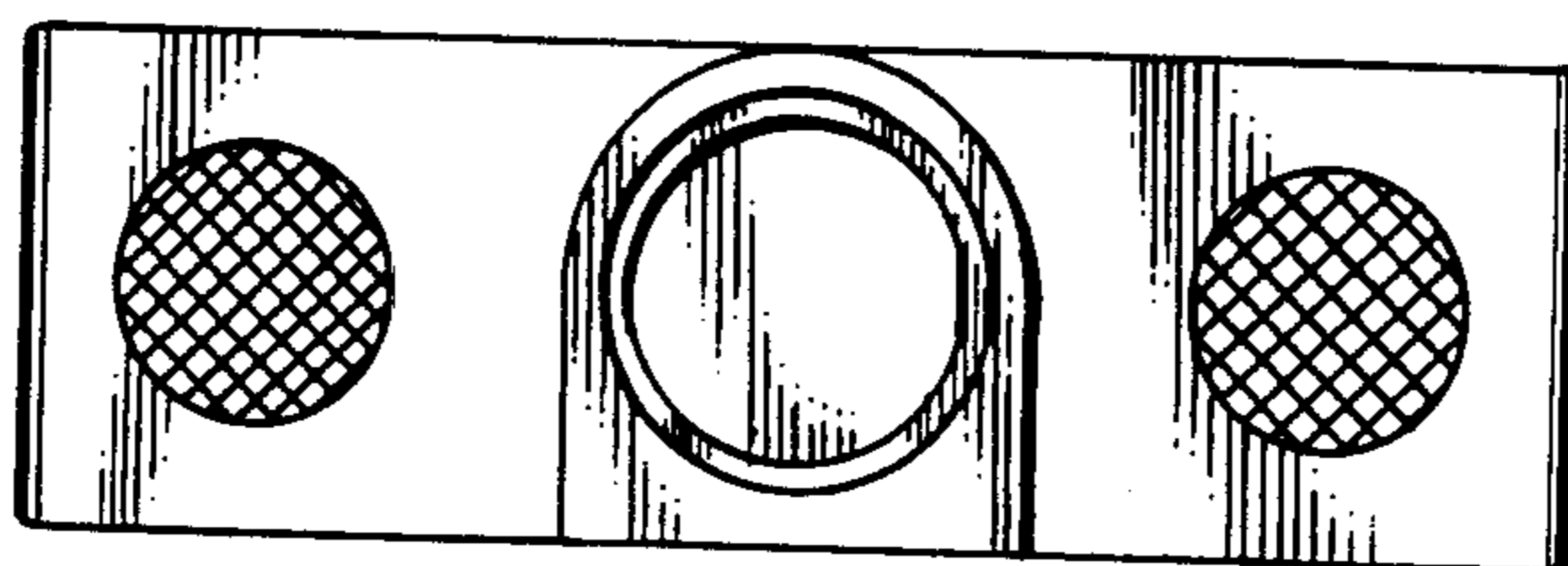


FIG. 7