

[54] AIR DEFLECTOR FOR TRAILERS

[76] Inventors: Robert W. Crowe, 4942 Encinita Blvd., Temple City, Calif. 91780; Joseph M. FitzGerald, 9331 Mikinda Ave., La Habra, Calif. 90631

[**] Term: 14 Years

[21] Appl. No.: 750,771

[22] Filed: Dec. 15, 1976

[51] Int. Cl. D12-16

[52] U.S. Cl. D12/181

[58] Field of Search D12/181, 93, 96; 296/1 R, 1 S, 91

[56] References Cited

U.S. PATENT DOCUMENTS

3,814,472 6/1974 Zelikovitz 296/1 S
D. 236,449 8/1975 De Vaughn D12/93

OTHER PUBLICATIONS

Commercial Car Journal, 9/74, p. 135, Streamliner, lower left side of page.

Primary Examiner—Wallace R. Burke
Assistant Examiner—James M. Gandy
Attorney, Agent, or Firm—Robert C. Comstock

[57] CLAIM

The ornamental design for an air deflector for trailers, as shown and described.

DESCRIPTION

FIG. 1 is an isometric view of an air deflector for trailers embodying our new design;
FIG. 2 is a side elevational view thereof, the opposite side being a mirror image of the side shown herein;
FIG. 3 is a front elevational view thereof;
FIG. 4 is a top plan view thereof;
FIG. 5 is a bottom plan view thereof.
The fragmentary broken line showing of the trailer in FIGS. 2-5 is for illustrative purposes only.

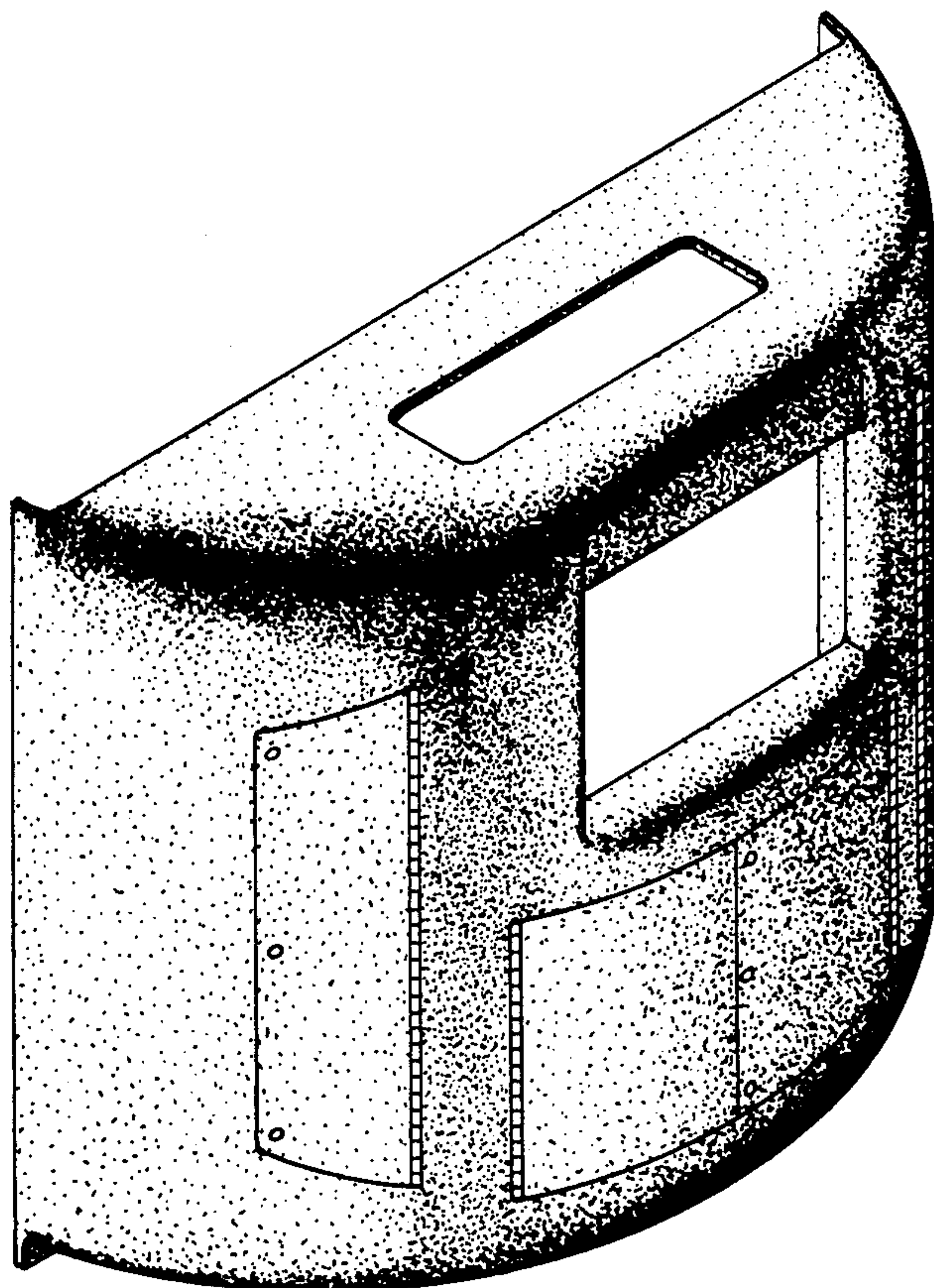


FIG. 1.

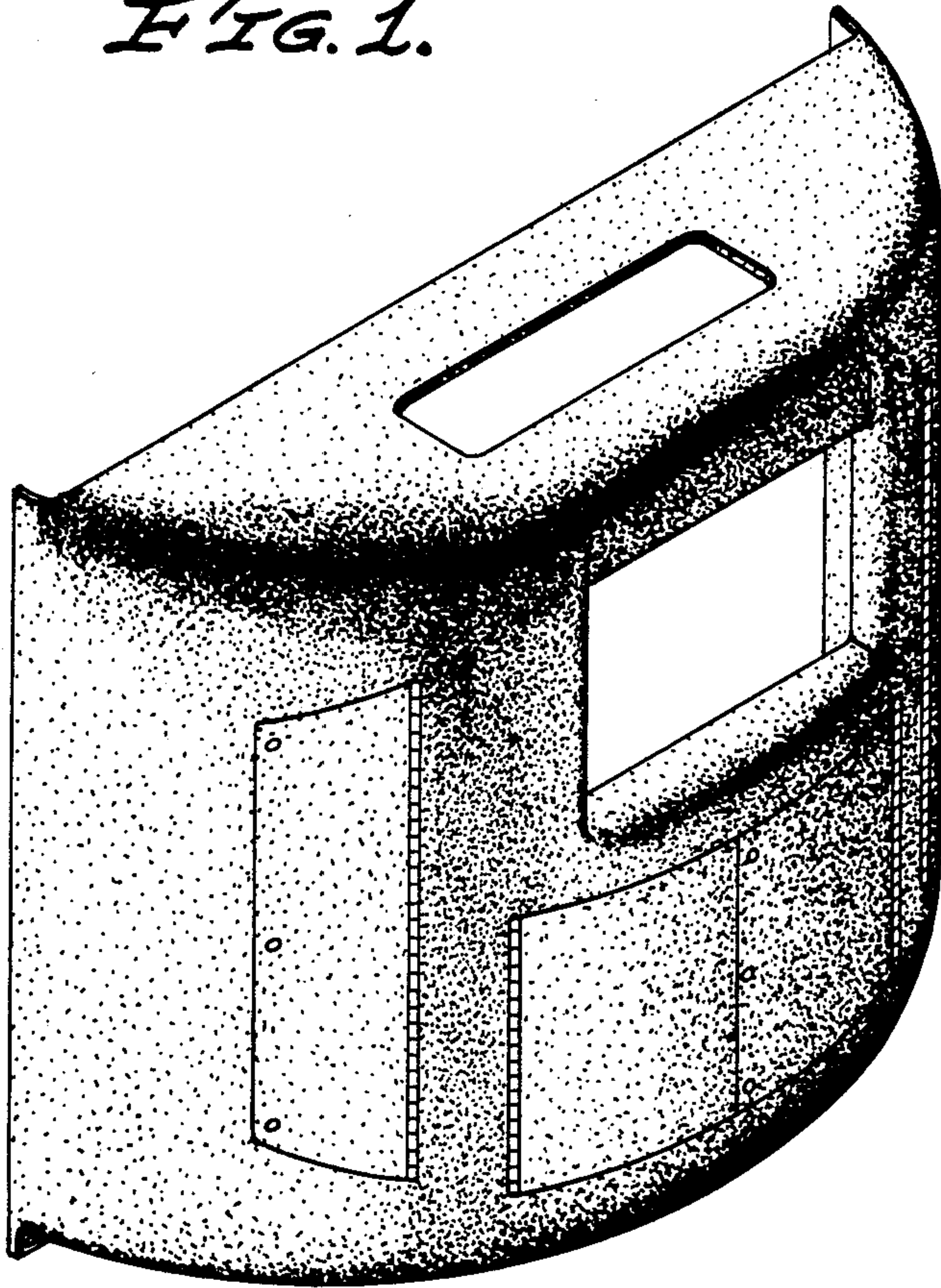


FIG. 2.

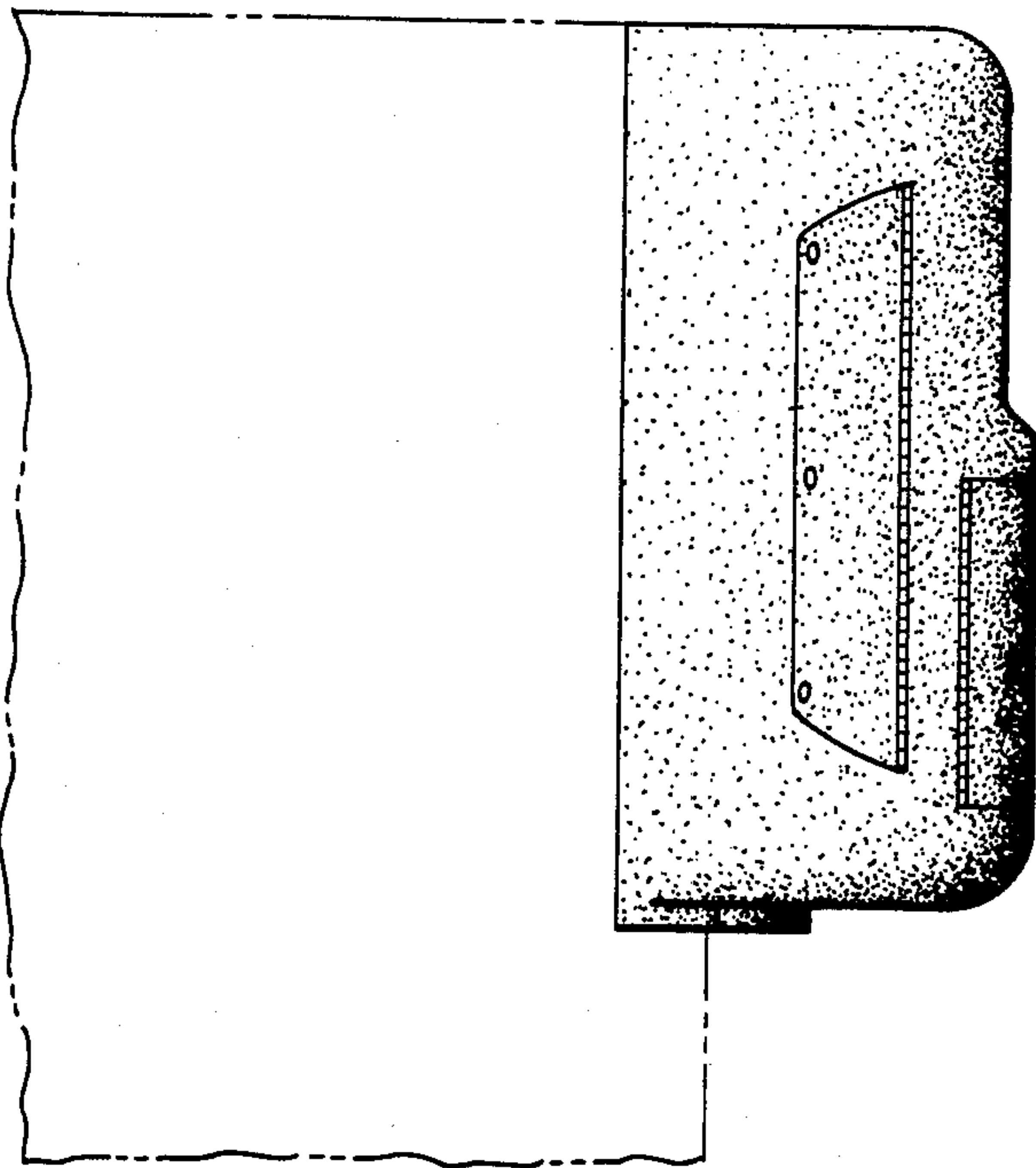


FIG. 4.

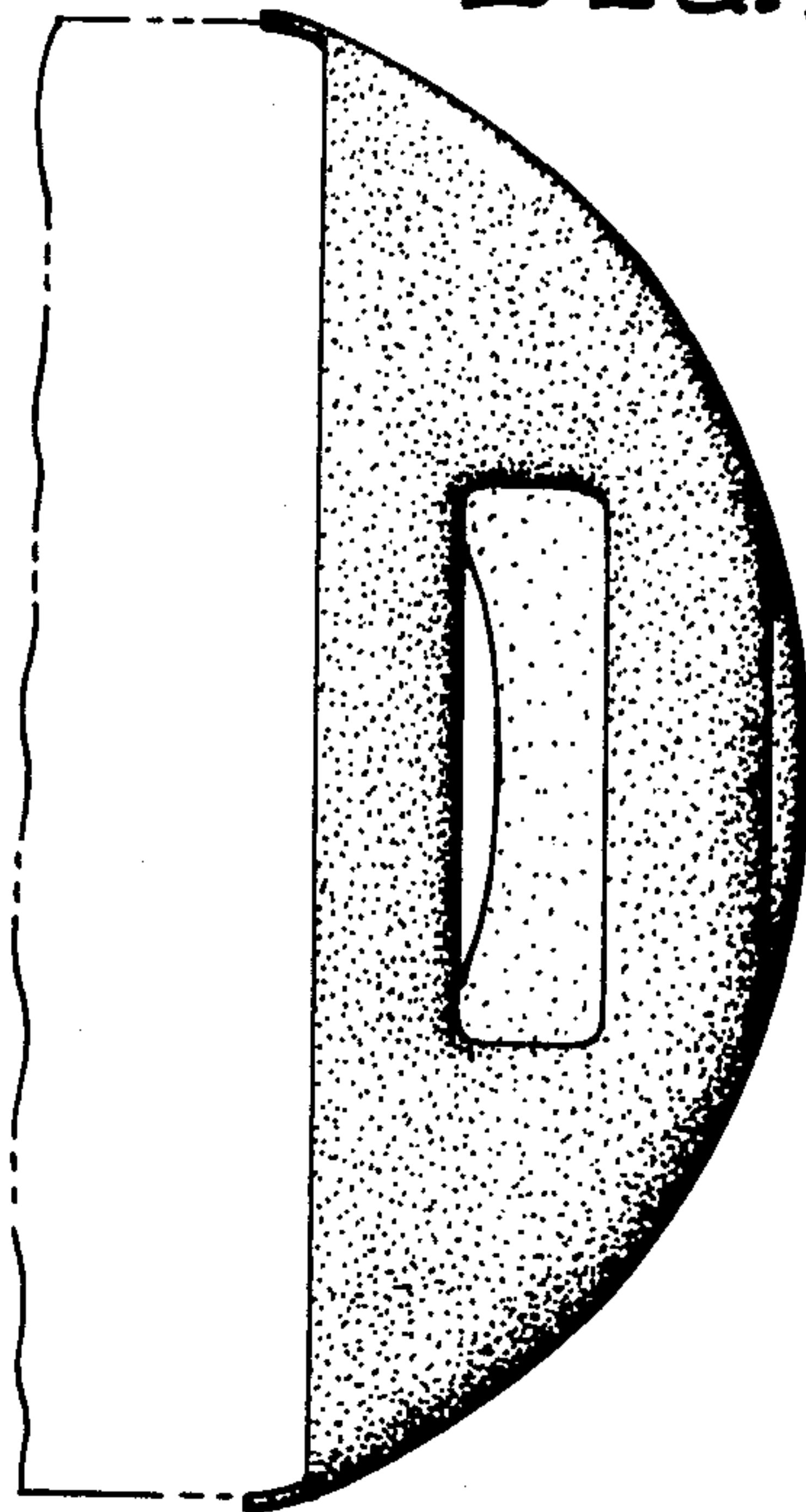


FIG. 3.

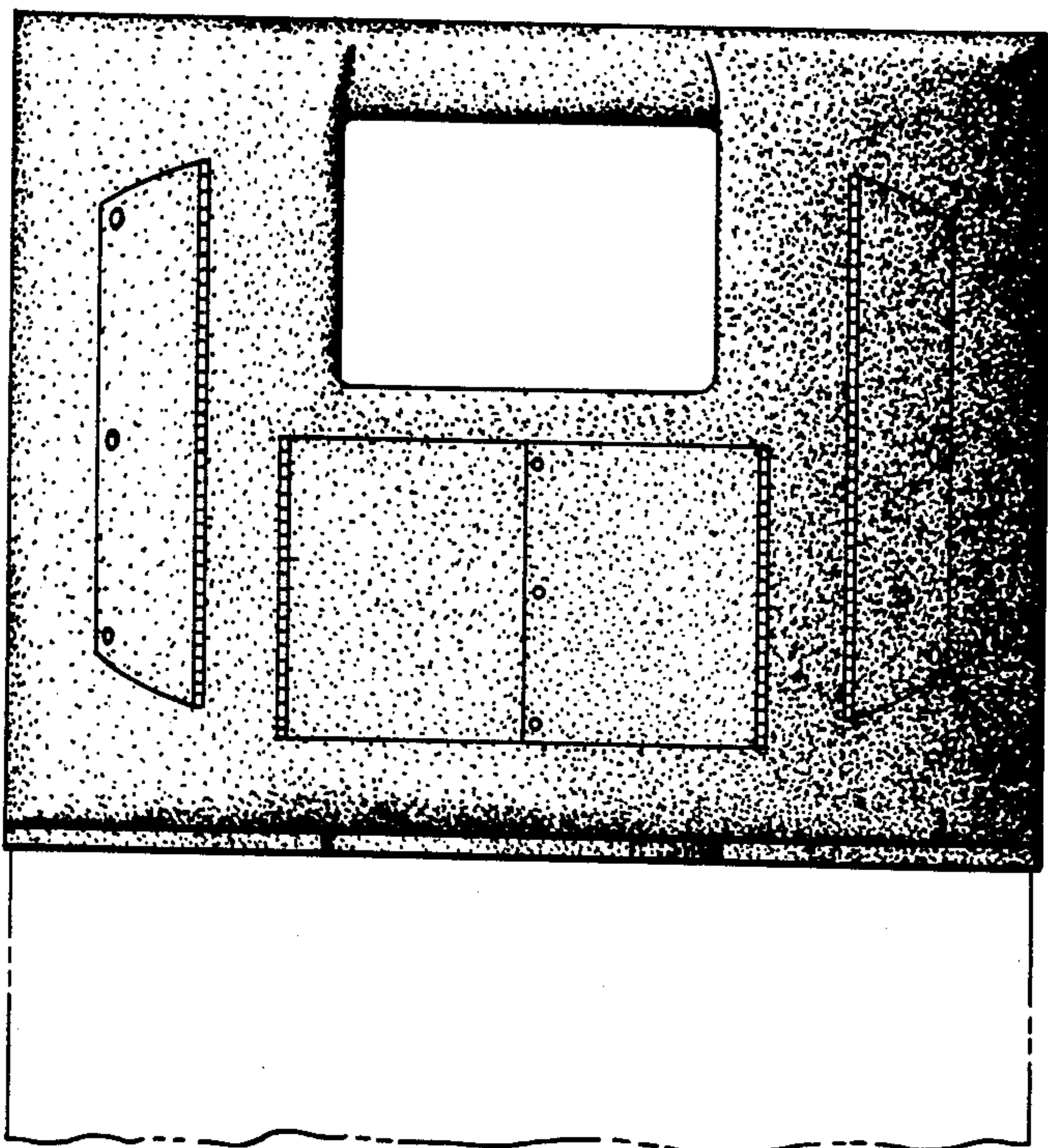


FIG. 5.

