

[54] SPEEDOMETER

[75] Inventor: **Howard J. Rasmussen**, Fox River Grove, Ill.

[73] Assignee: **Stewart-Warner Corporation**, Chicago, Ill.

[**] Term: **14 Years**

[21] Appl. No.: **649,534**

[22] Filed: **Jan. 15, 1976**

[51] Int. Cl. **D10-04**

[52] U.S. Cl. **D10/98**

[58] Field of Search **D10/98, 97; 116/116; 73/185**

[56]

References Cited

U.S. PATENT DOCUMENTS

1,128,417	2/1915	Cummings	73/185
2,408,302	9/1946	Eriksson	D10/97
D. 119,748	4/1940	Ford	D10/60
D. 199,808	12/1964	Gazzam	D10/53
D. 222,503	10/1971	Smith	D10/98
D. 239,008	3/1976	Rasmussen	D10/98

Primary Examiner—Nelson C. Holtje

[57]

CLAIM

The ornamental design for a speedometer, as shown.

DESCRIPTION

FIG. 1 is a left front perspective view of a speedometer showing my new design;

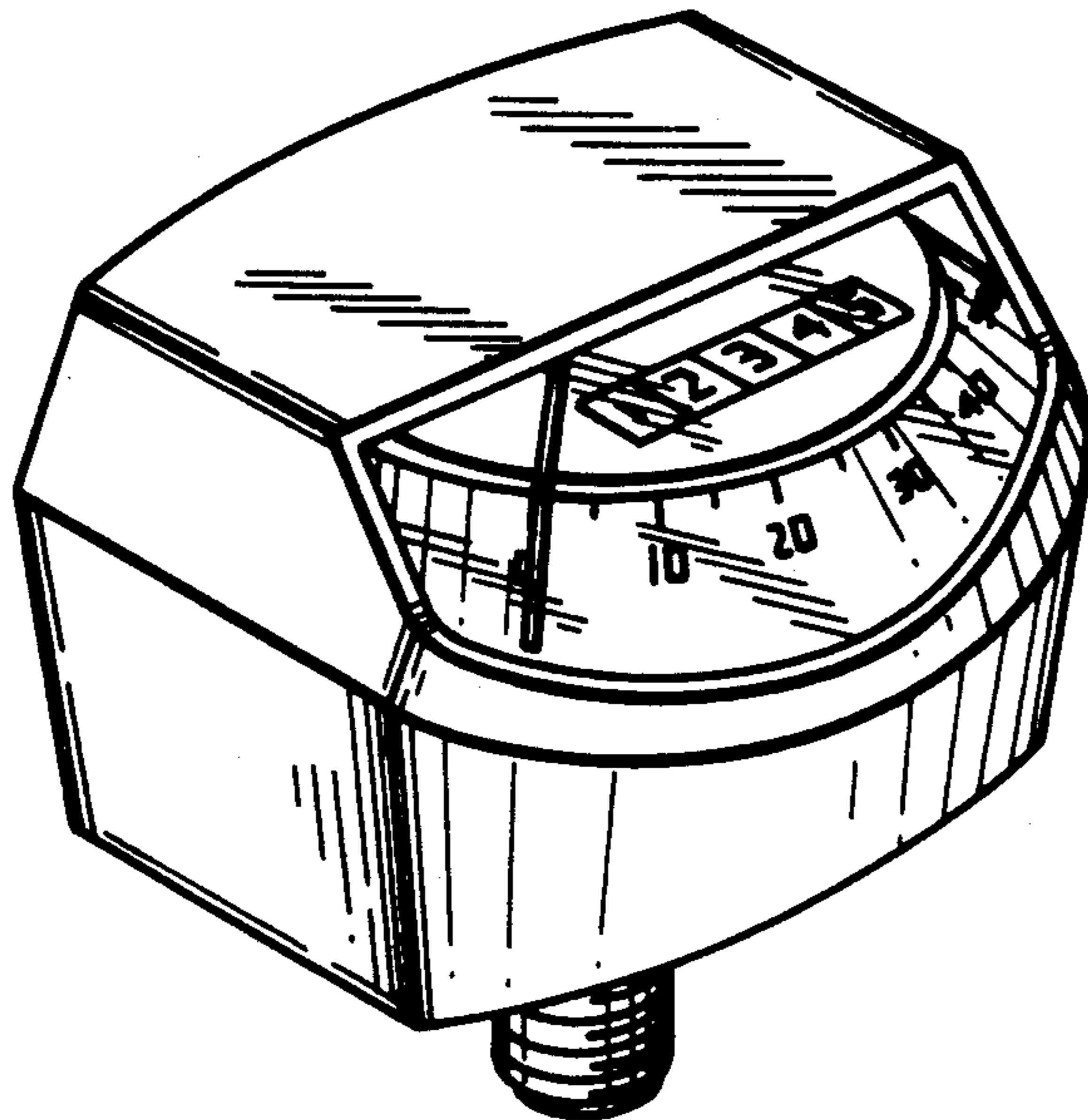
FIG. 2 is a top plan view thereof;

FIG. 3 is a front elevational view thereof;

FIG. 4 is a right side elevational view thereof;

FIG. 5 is a rear elevational view thereof;

FIG. 6 is a bottom plan view thereof.



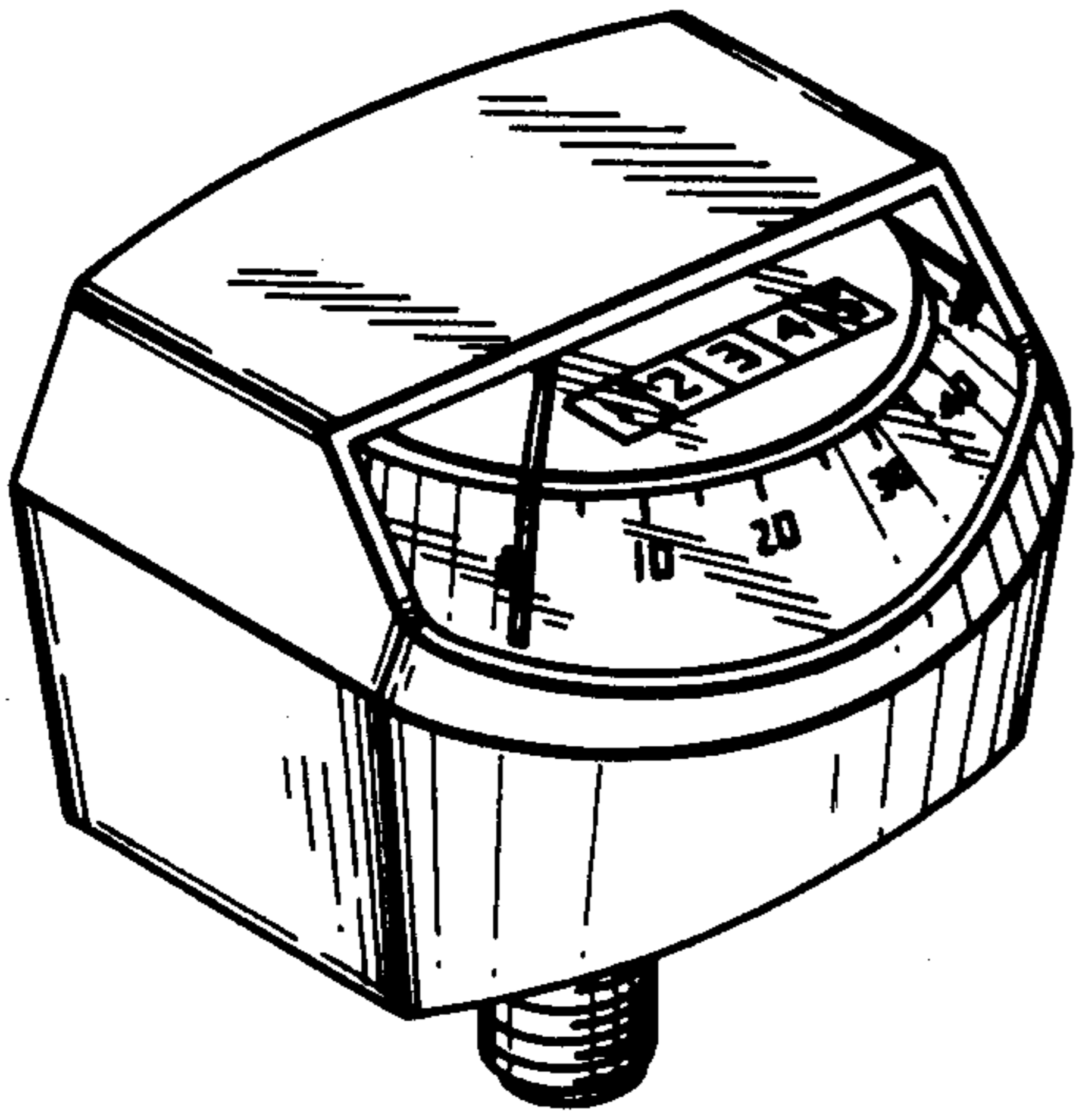


FIG. 1

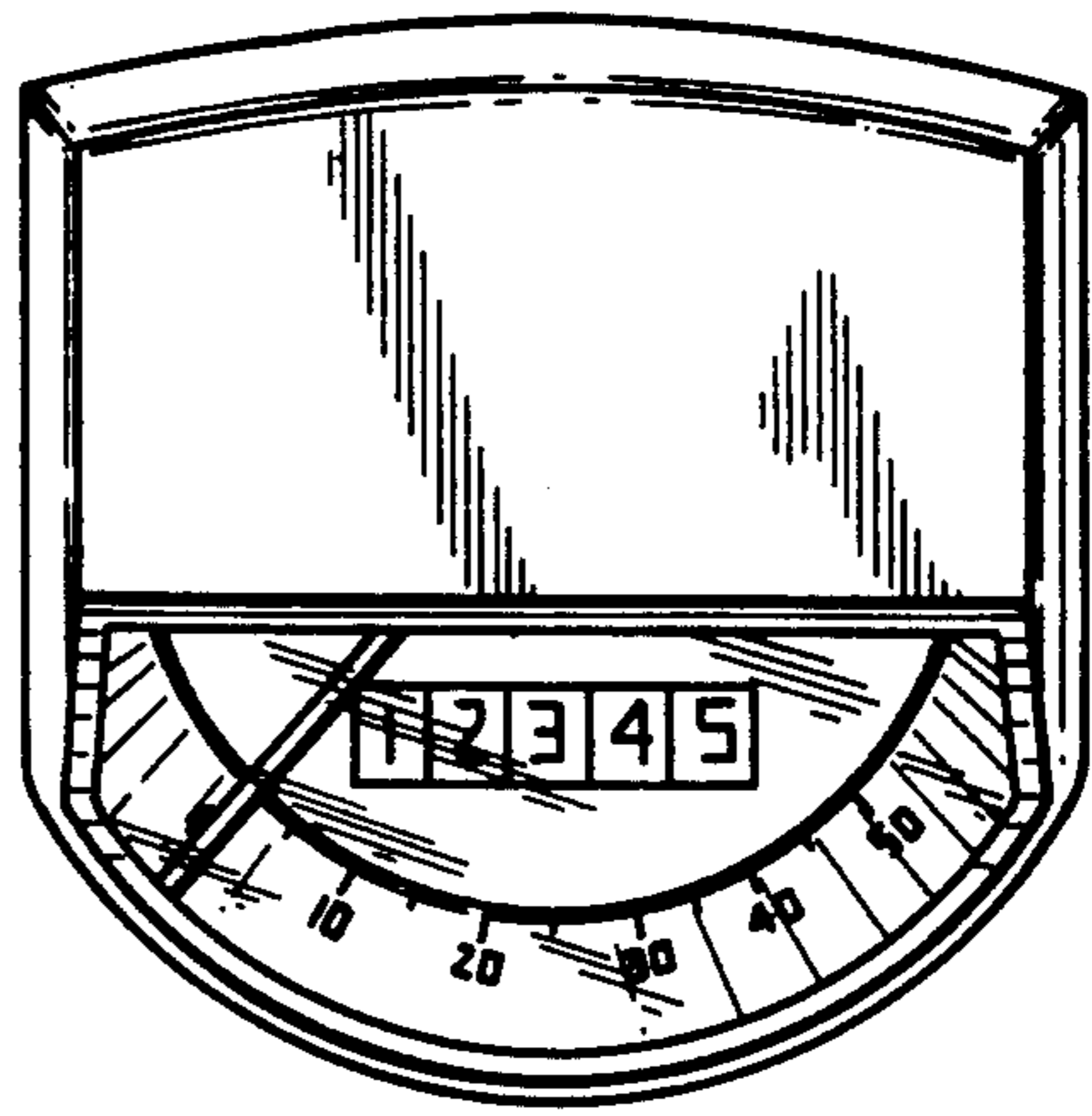


FIG. 2

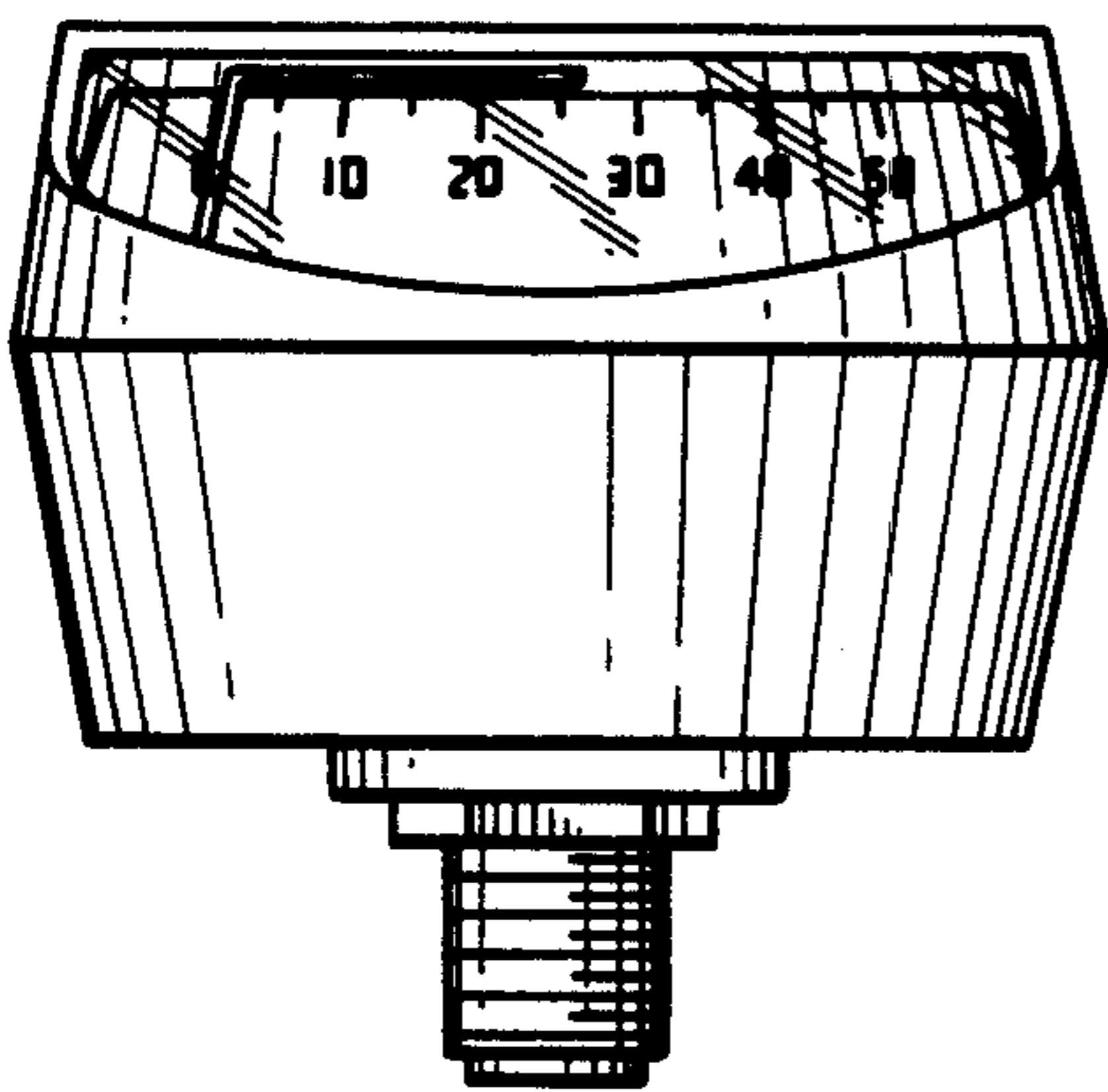


FIG. 3

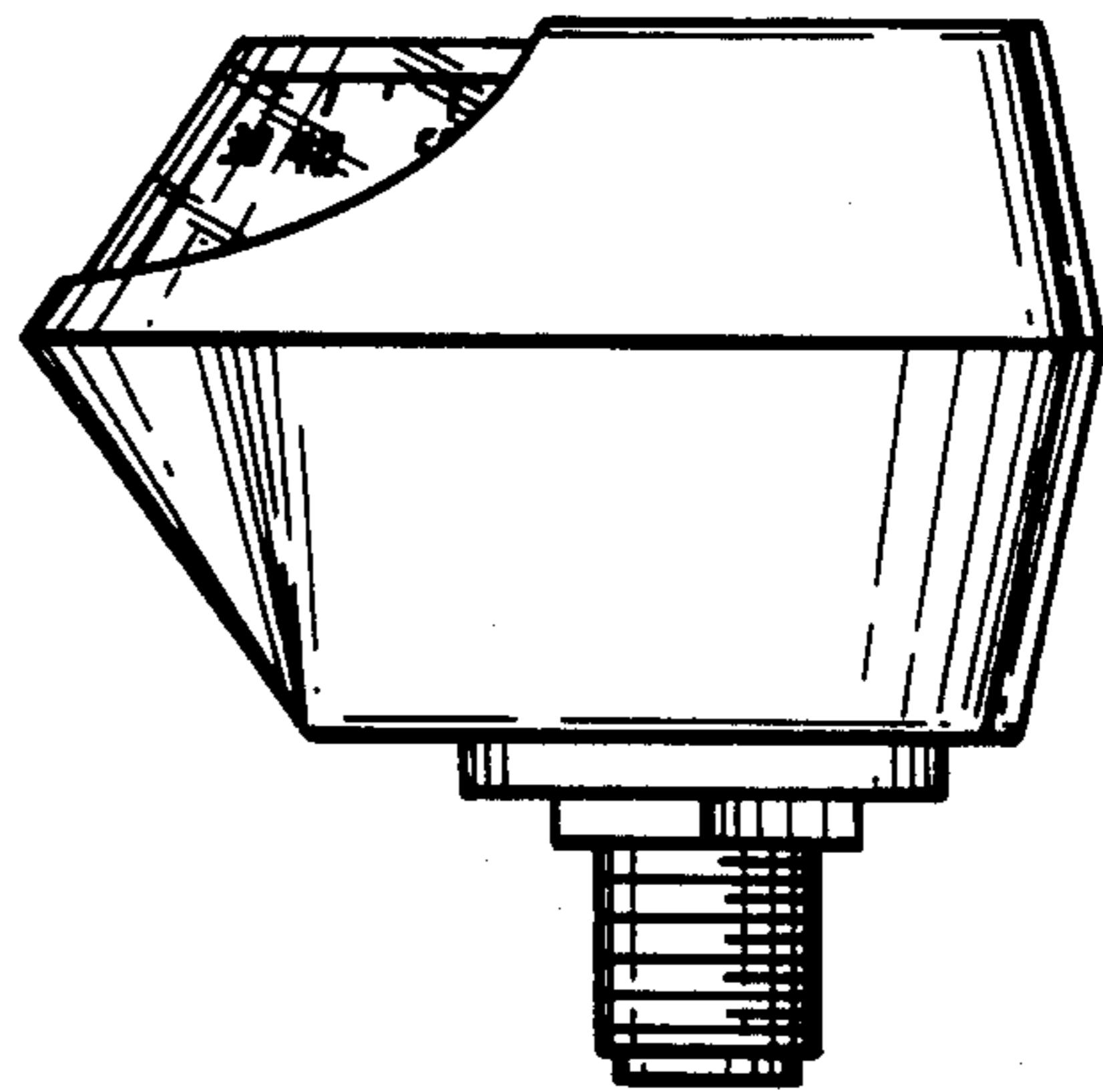


FIG. 4

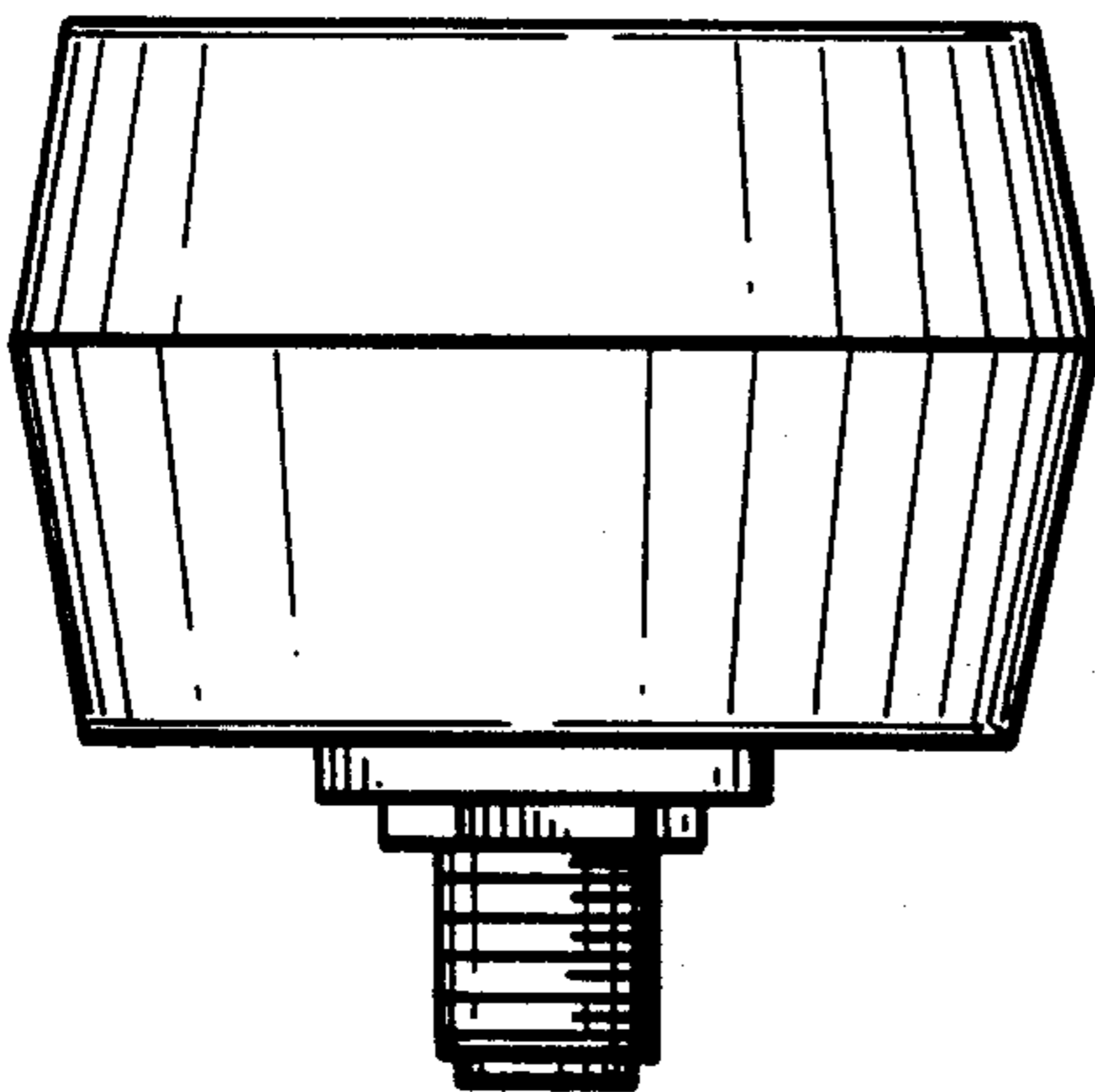


FIG. 5

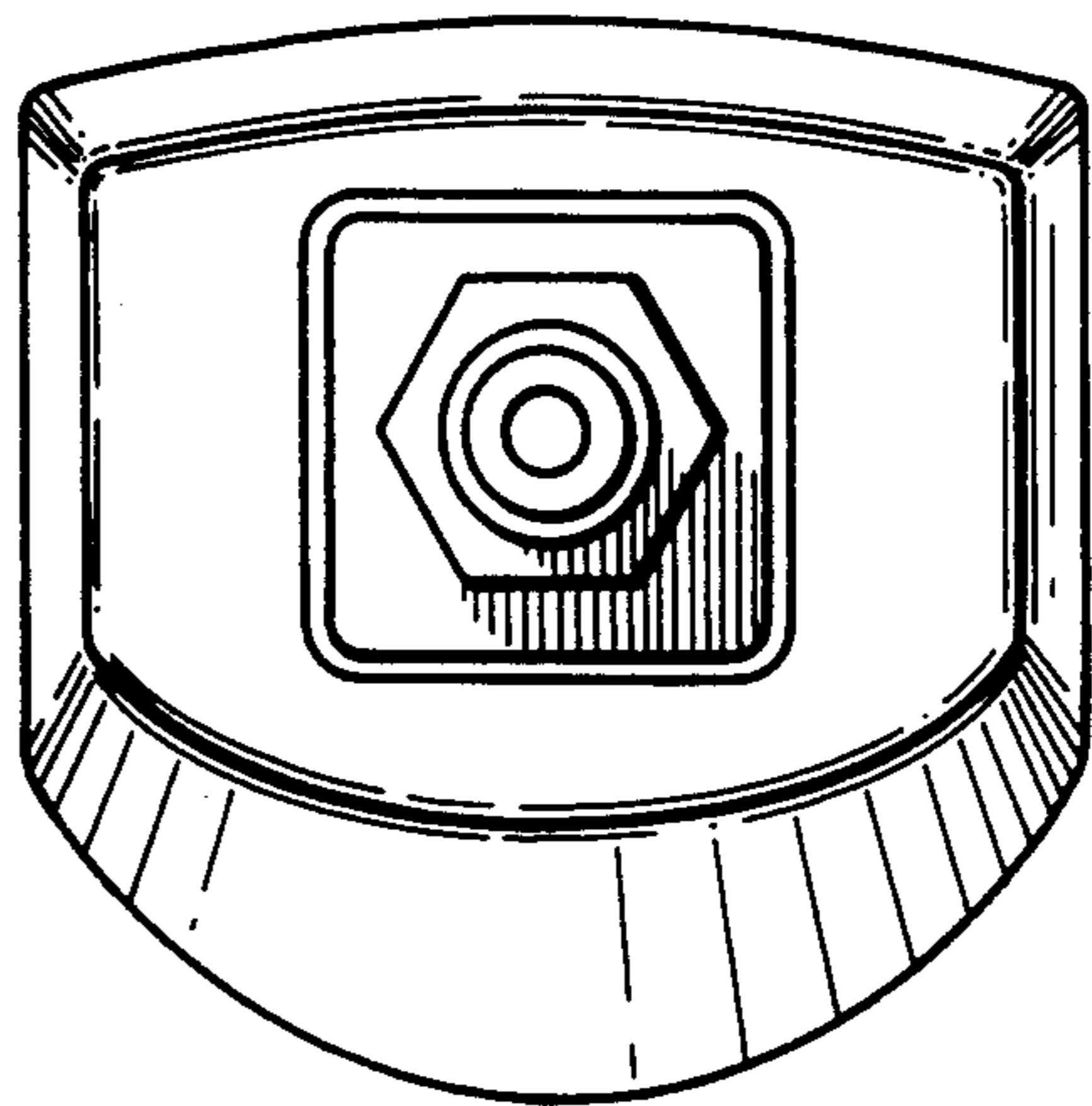


FIG. 6