

[54] WRIST WATCH

[76] Inventor: Carl J. Kleiner, 2302 Beach, Cisco, Tex. 76437

[**] Term: 14 Years

[21] Appl. No.: 633,701

[22] Filed: Nov. 20, 1975

[51] Int. Cl. D10-02
[52] U.S. Cl. D10/32
[58] Field of Search D10/30-39,
D10/32, 15, 1-29, 122-131; 58/53-56, 88 R, 88
G, 50 R, 50 A, 152 R

[56] References Cited
PUBLICATIONS

National Jeweler May 1973, p. 39, Watch at top left.
European Jeweler Oct. 1973, p. 94, Watch at center center.

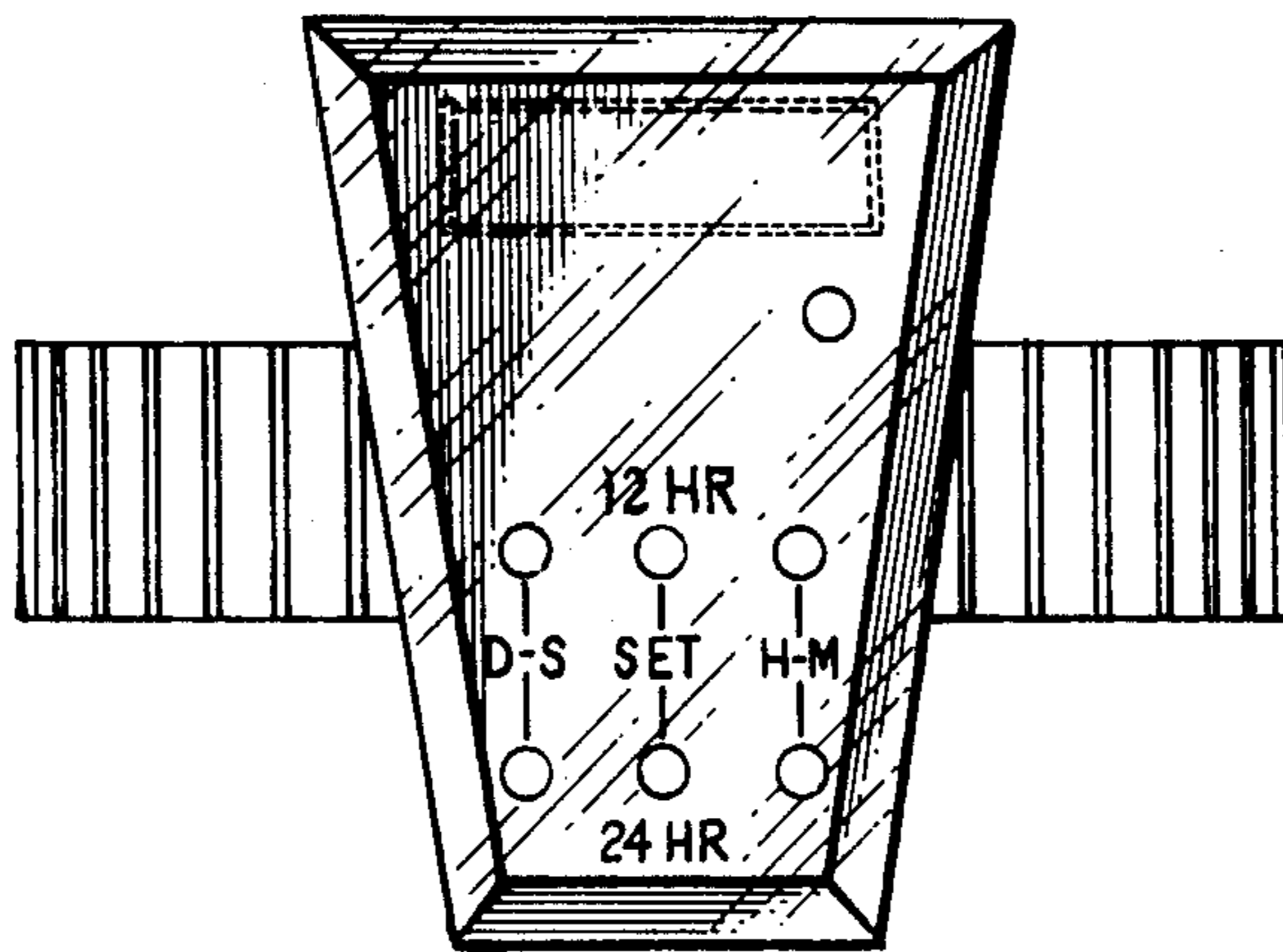
Primary Examiner—Nelson C. Holtje
Attorney, Agent, or Firm—Wm. T. Wofford

[57] CLAIM

The ornamental design of a wrist watch, as shown and described.

DESCRIPTION

FIG. 1 is a front elevational view of the wrist watch showing my new design;
FIG. 2 is a bottom plan view thereof;
FIG. 3 is a rear elevational view thereof;
FIG. 4 is a top plan view thereof;
FIG. 5 is a left side elevational view thereof, the right side being a mirror image thereto.



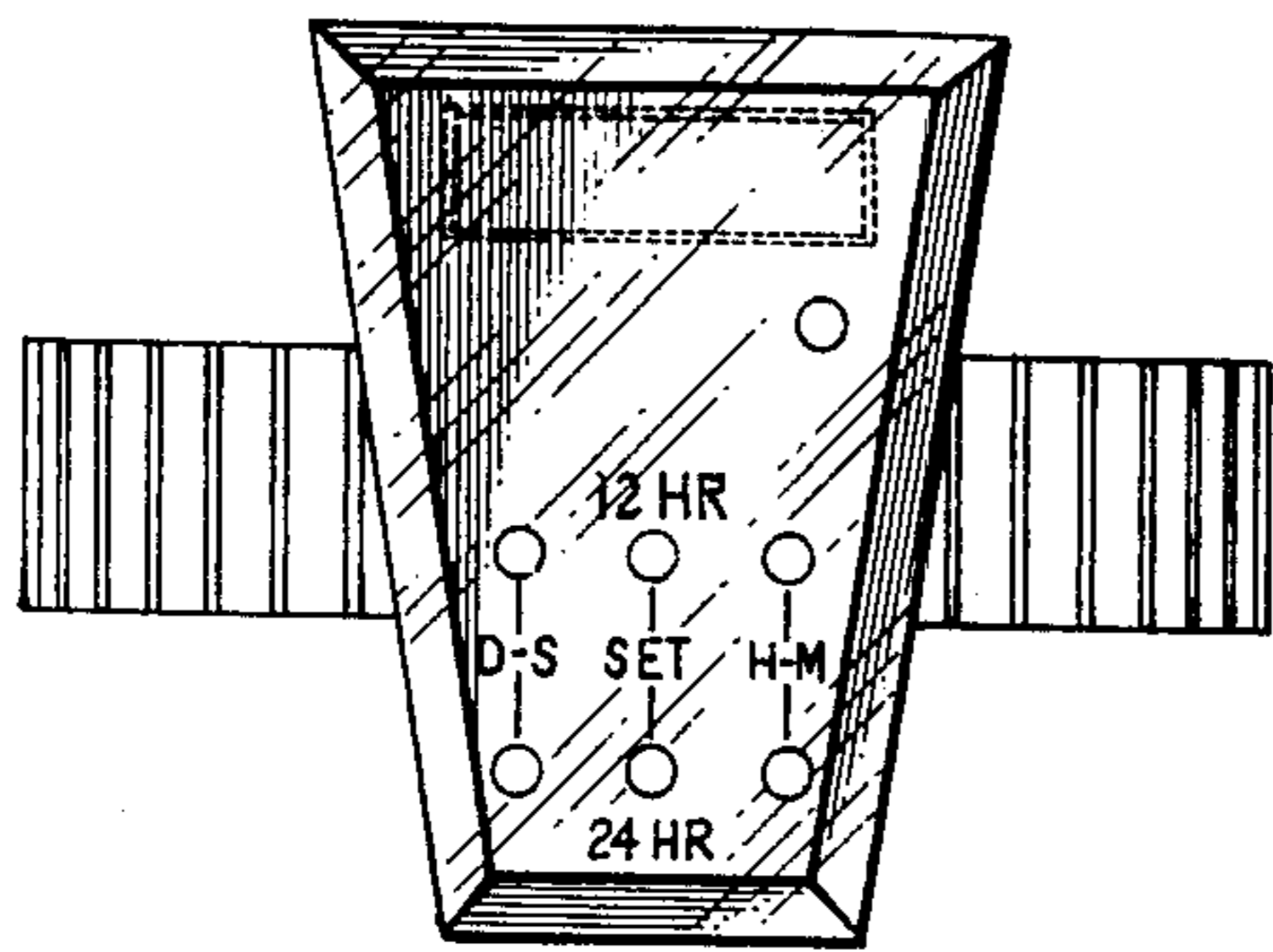


Fig. 1

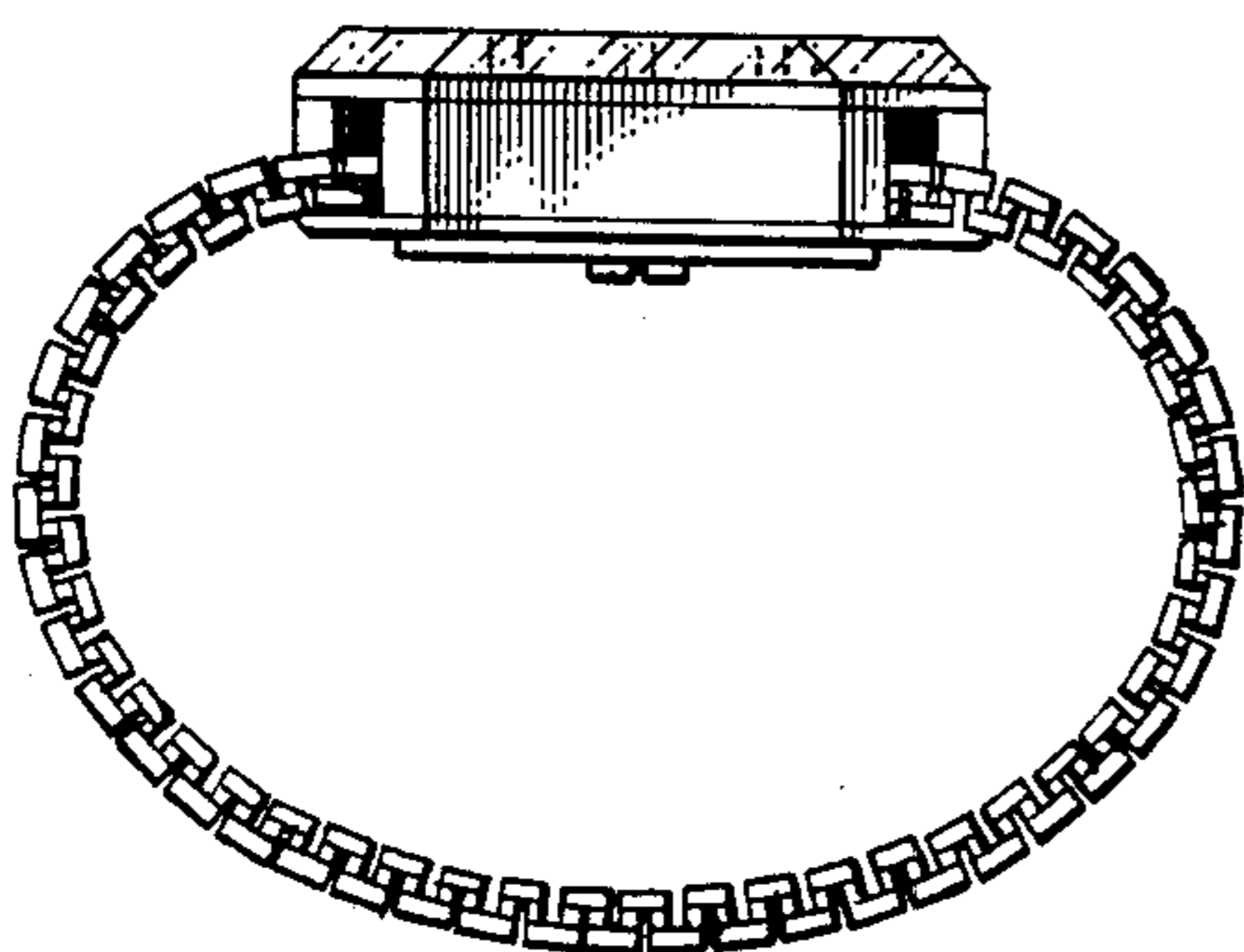


Fig. 2

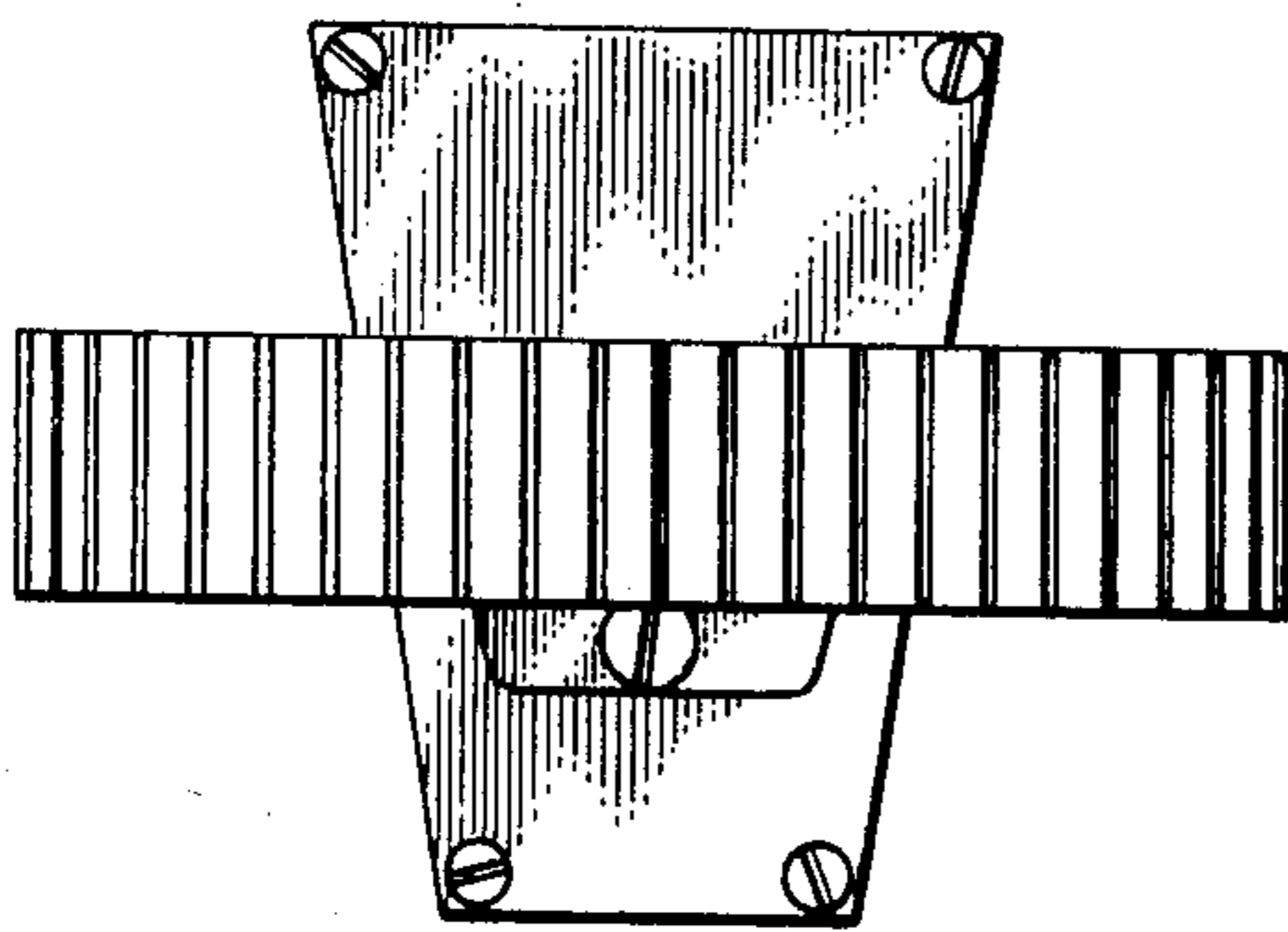


Fig. 3

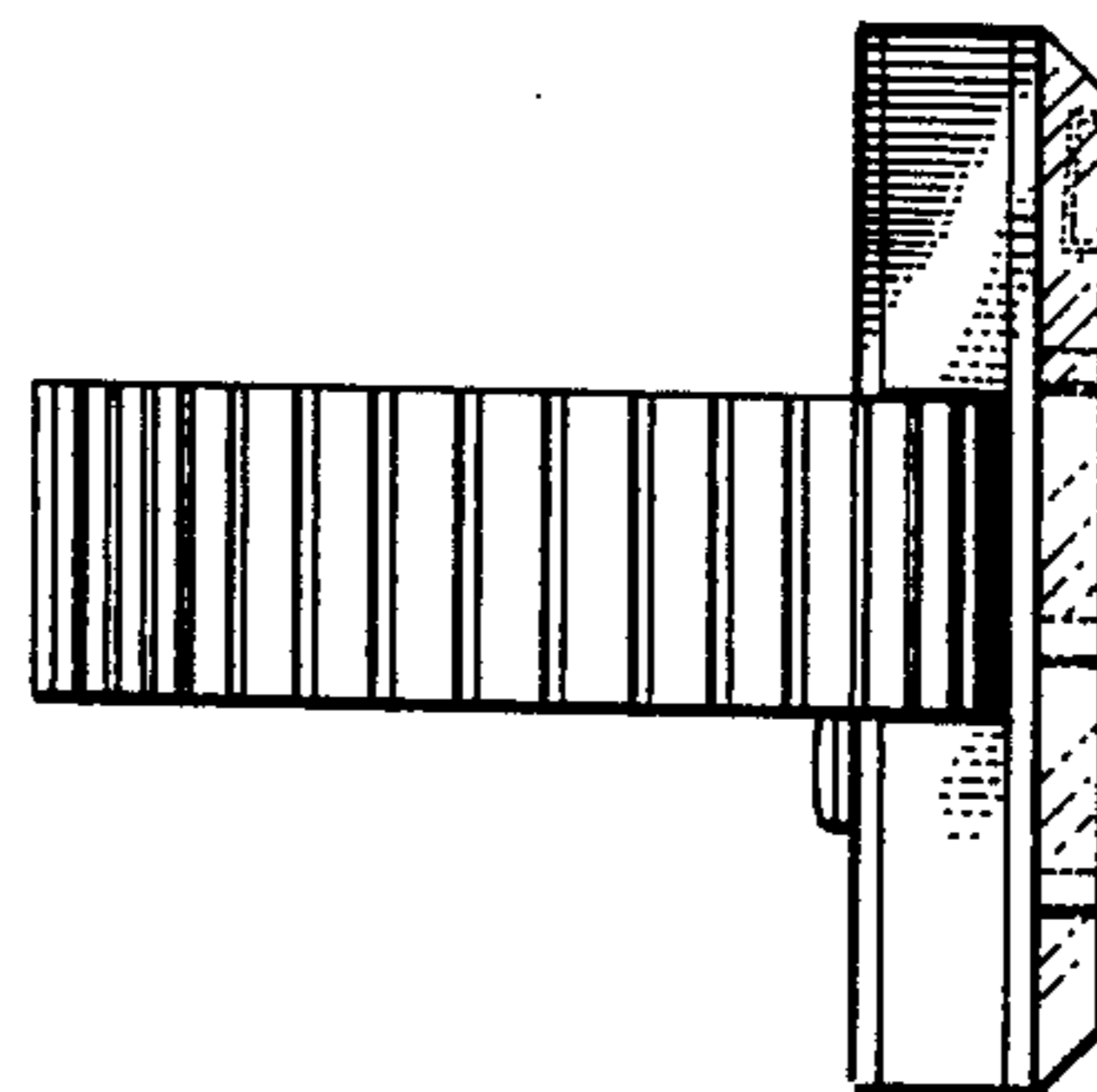


Fig. 5

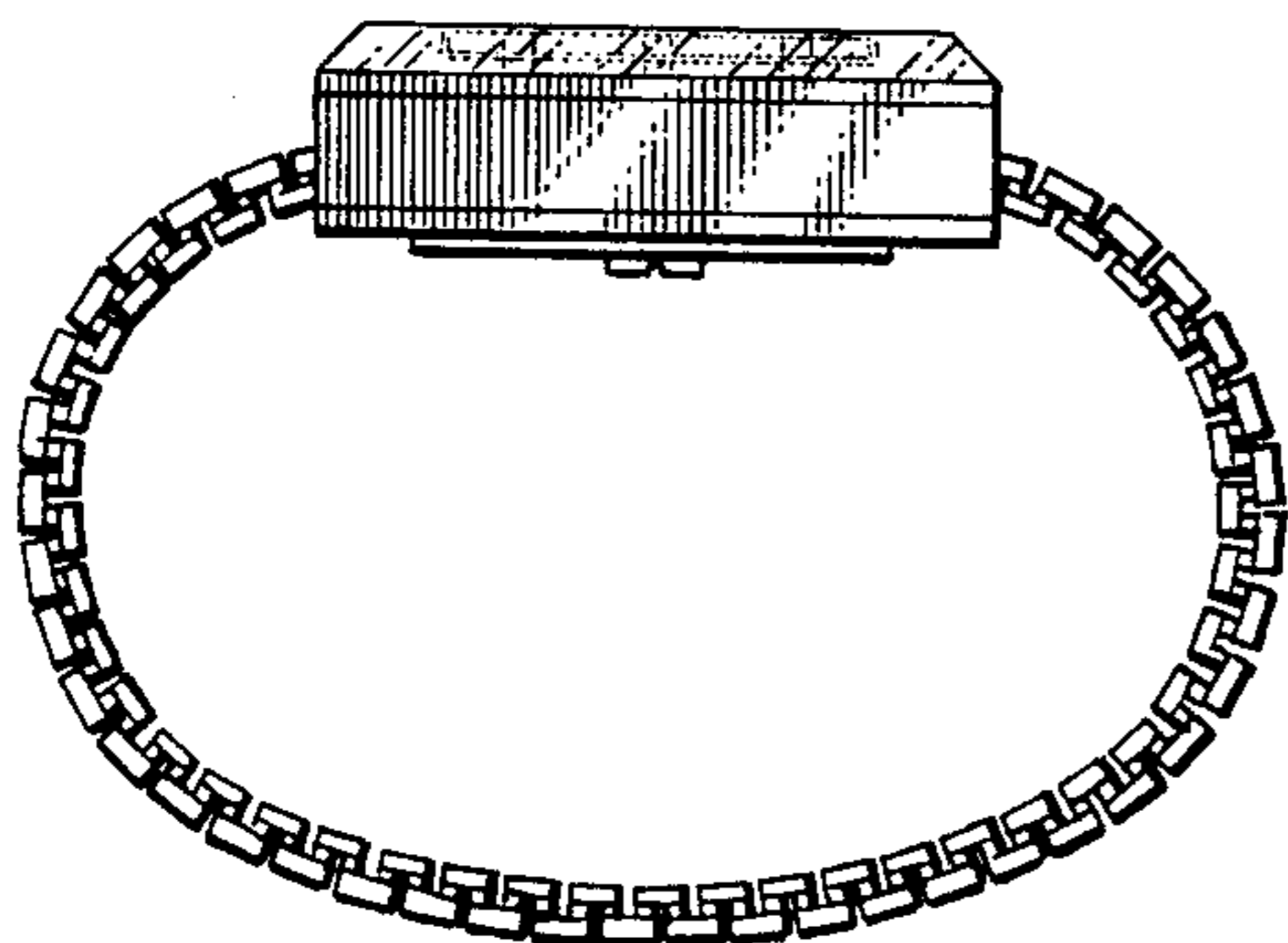


Fig. 4