

[54] **ARTICULATED BAG HOLDER**

[76] Inventor: **Frank M. Harding**, 1303 Brush Hill Circle, Naperville, Ill. 60540

[**] Term: **14 Years**

[21] Appl. No.: **623,953**

[22] Filed: **Oct. 20, 1975**

[51] Int. Cl. **D7-07**

[52] U.S. Cl. **D7/193**

[58] Field of Search **D7/187, 189-195;**
220/1 T; 248/95, 97, 99-101

[56] **References Cited**

U.S. PATENT DOCUMENTS

2,235,182 3/1941 Weston 248/100
3,610,560 10/1971 Dillabough 248/97

FOREIGN PATENT DOCUMENTS

1,120,352 12/1961 Germany 248/97

Primary Examiner—Joel Stearman
Assistant Examiner—Louis S. Zarfes
Attorney, Agent, or Firm—William Jacquet Gribble

[57] **CLAIM**

The ornamental design for an articulated bag holder, as shown and described.

DESCRIPTION

FIG. 1 is a top plan view of an articulated bag holder showing my new design;
FIG. 2 is a right side elevational view thereof, the left side being a mirror image;
FIG. 3 is a front elevational view thereof; and
FIG. 4 is a perspective view of the holder in folded position.

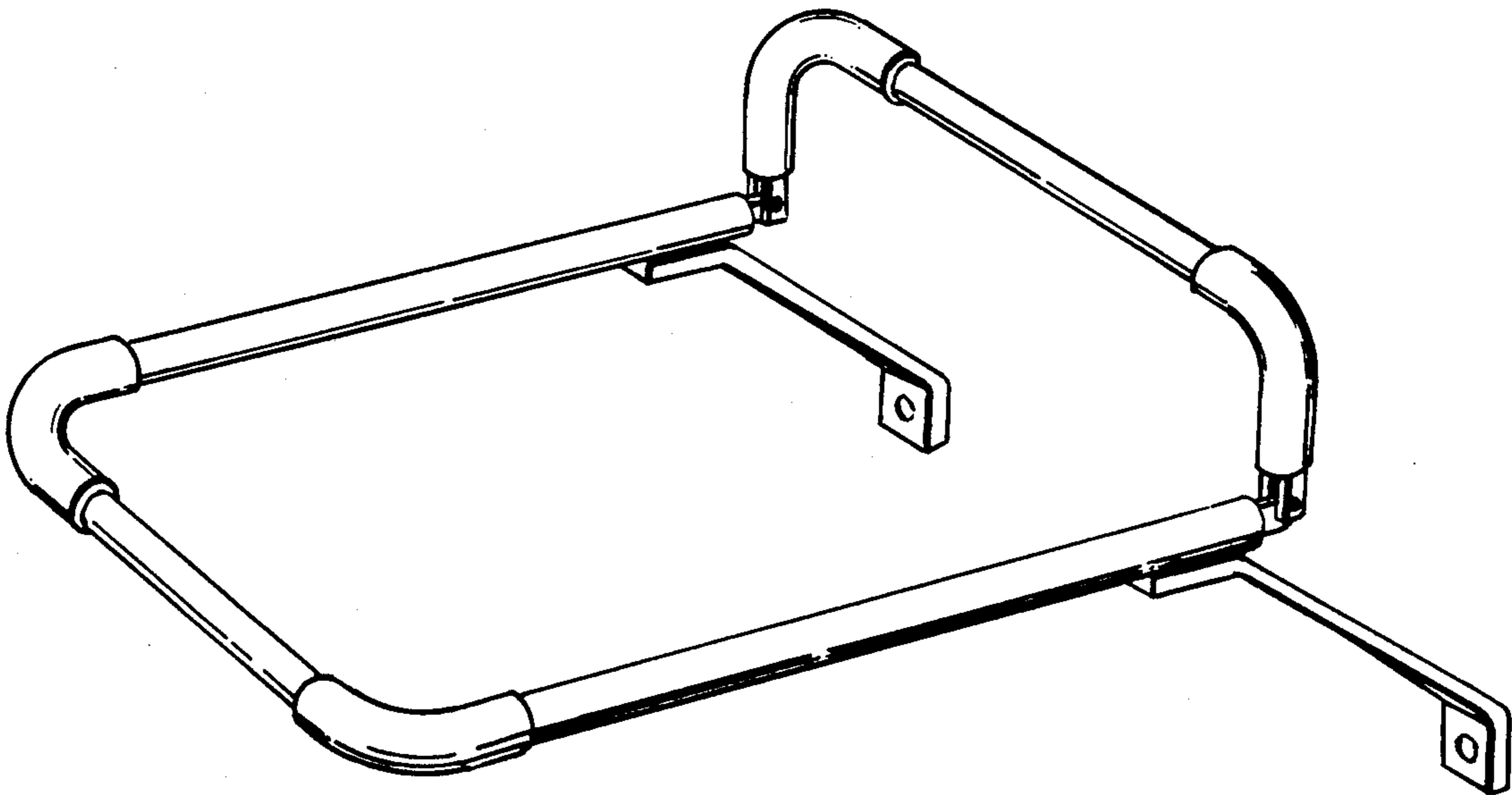


FIG. 1.

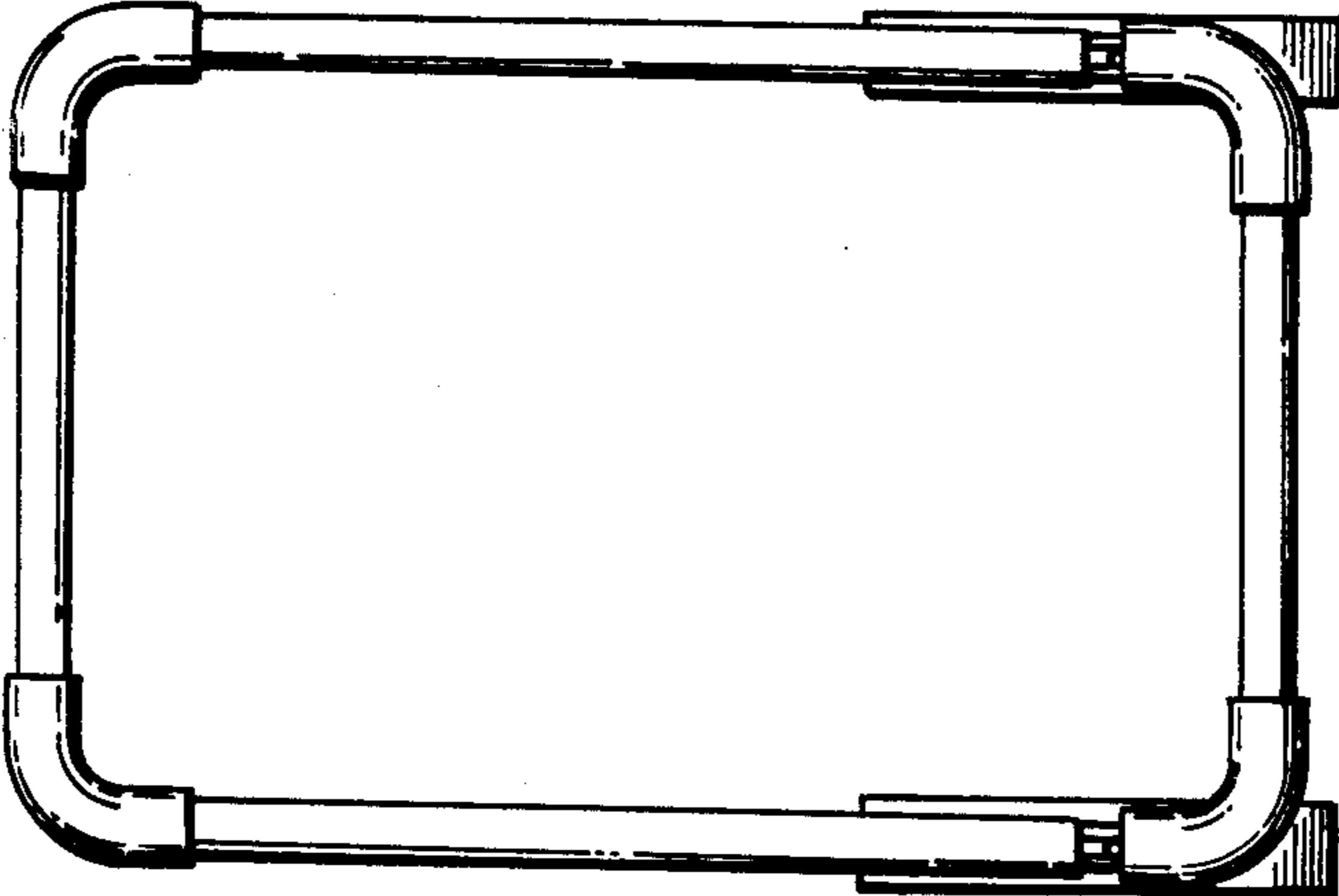


FIG. 2.

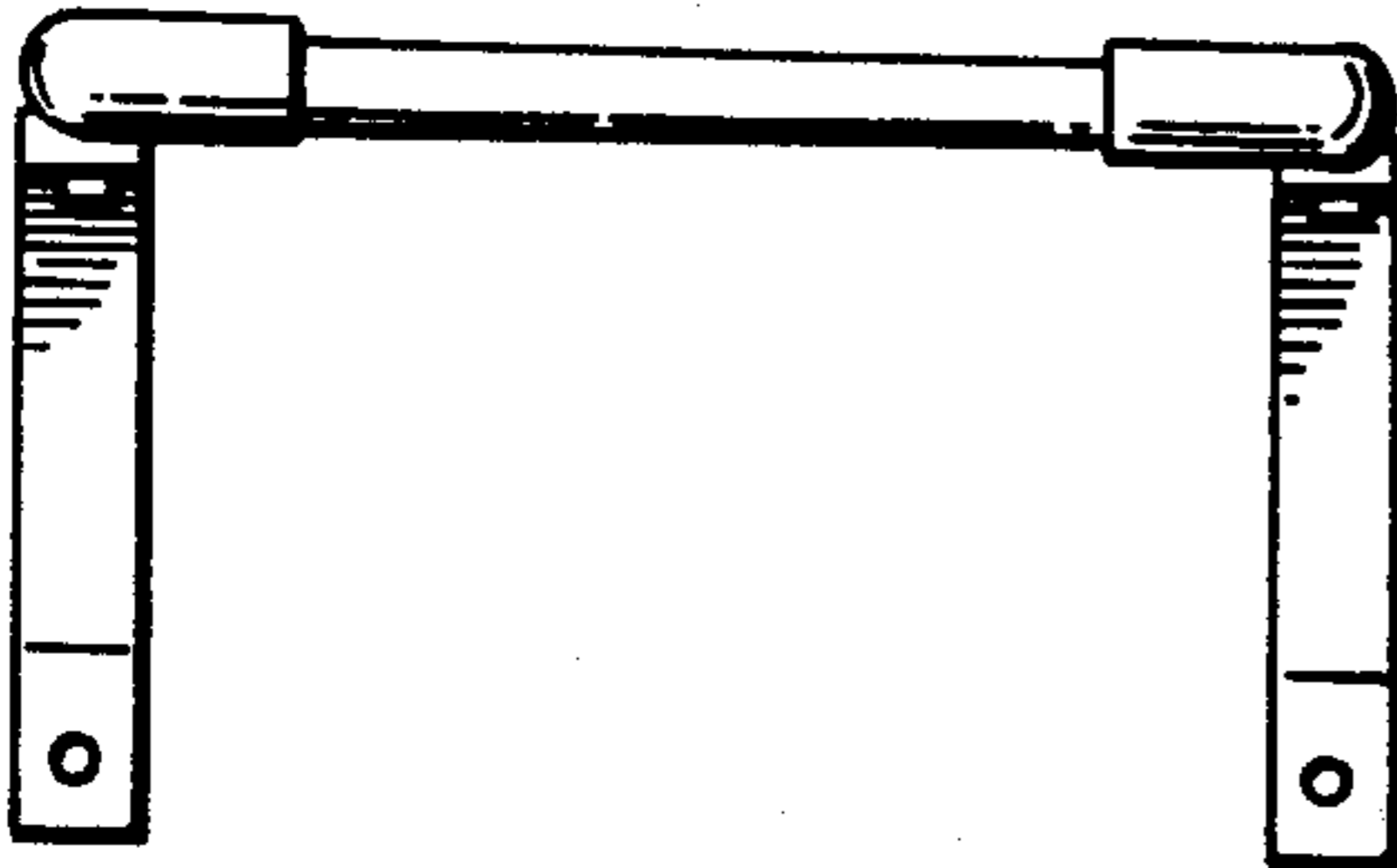
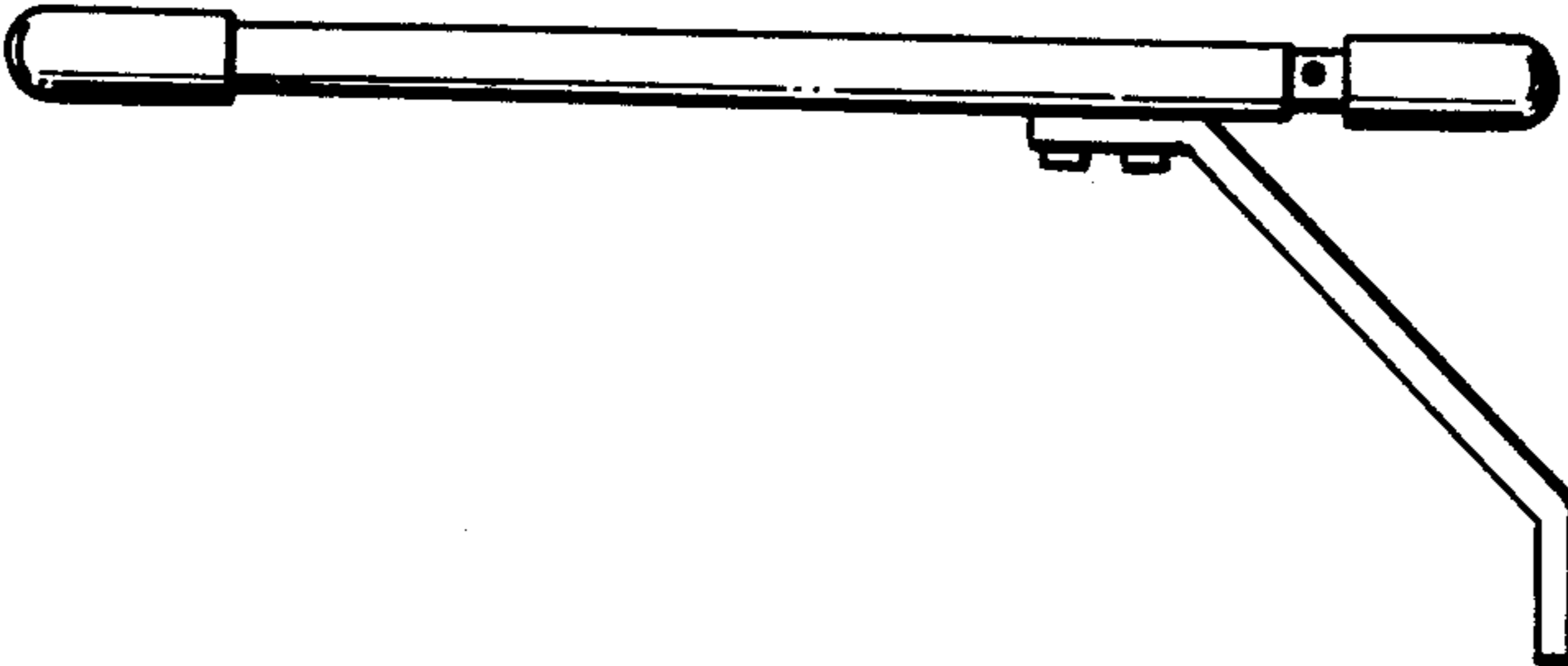


FIG. 3.

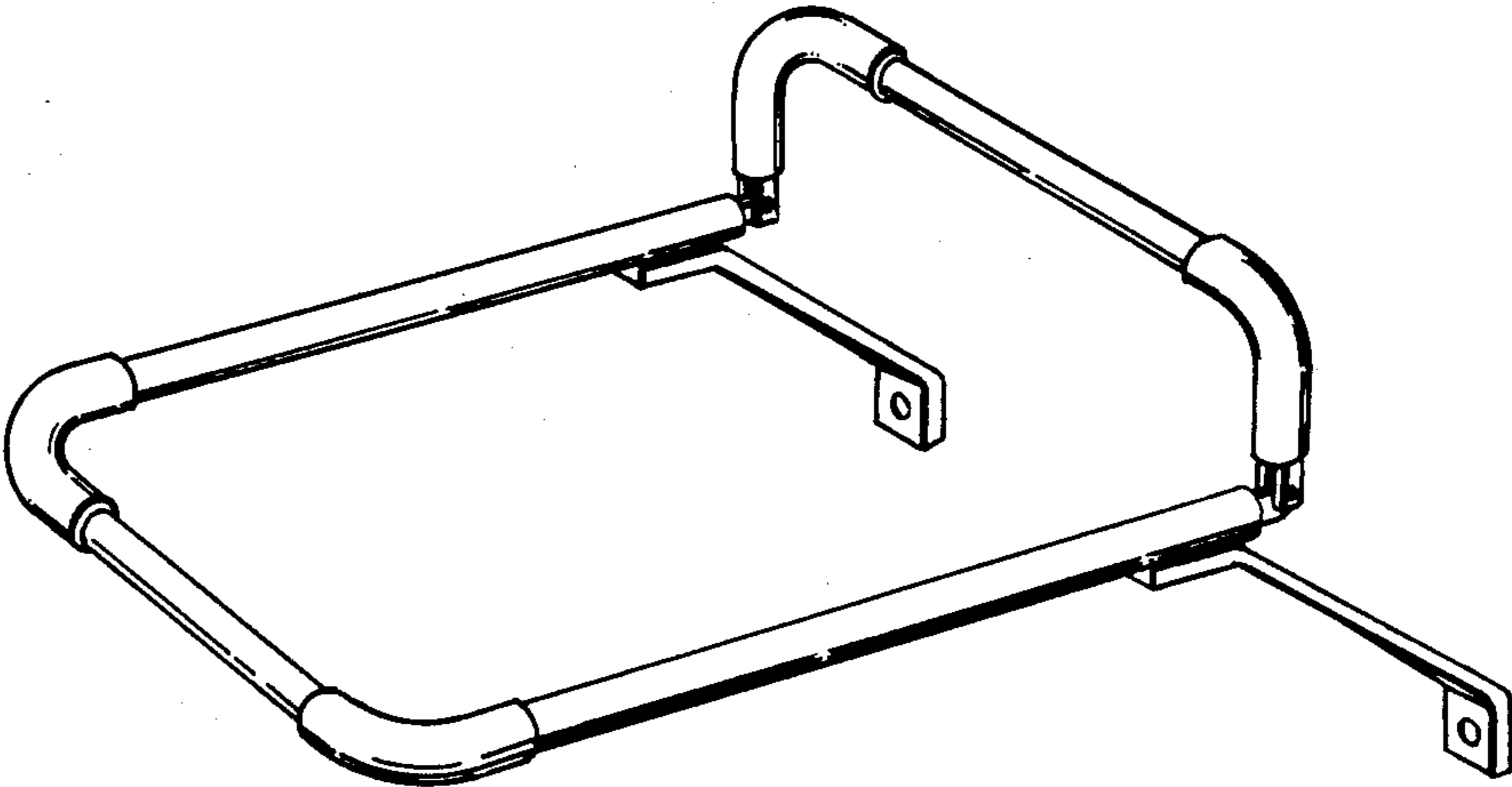


FIG. 4.