

[54] DISPOSABLE APPLICATOR WITH LIQUID SUPPLY

[76] Inventor: Earl Hoyt, 127 E. Crescent Ave., Ramsey, N.J. 07446

[\*\*] Term: 14 Years

[21] Appl. No.: 669,003

[22] Filed: Mar. 22, 1976

[51] Int. Cl. .... D7-05

[52] U.S. Cl. .... D7/178

[58] Field of Search ..... D4/1, 2, 6, 7, 17, 19-21; D7/178; D83/12 A, 12 R; D86/14; 15/159 R, 159 A, 160, 208, 209, 210, 244; 401/196-207, 118-130, 134, 137, 139, 140; 128/260, 270

[56] References Cited

U.S. PATENT DOCUMENTS

2,919,455 1/1960 Turner ..... 15/210 R X  
3,386,793 6/1968 Stanton ..... 401/132

3,847,151 11/1974 D'Alessandro ..... 15/244 R X  
3,876,314 4/1975 Nehring ..... 128/269 X  
3,891,331 6/1975 Avery ..... 128/269 X  
3,896,808 7/1975 Szpur ..... 15/244 R X

Primary Examiner—Wallace R. Burke  
Assistant Examiner—Catherine Kemper  
Attorney, Agent, or Firm—Howard C. Miskin

[57] CLAIM

The ornamental design for a disposable applicator with liquid supply, substantially as shown and described.

DESCRIPTION

FIG. 1 is an exploded perspective view of a disposable applicator with liquid supply, showing my new design; FIG. 2 is a right side elevational view, the left side being a mirror image thereof; FIG. 3 is a top view with a portion of the applicator shown broken away; FIG. 4 is a top rear view thereof. The rear of the liquid supply element is substantially planar and unornamented.

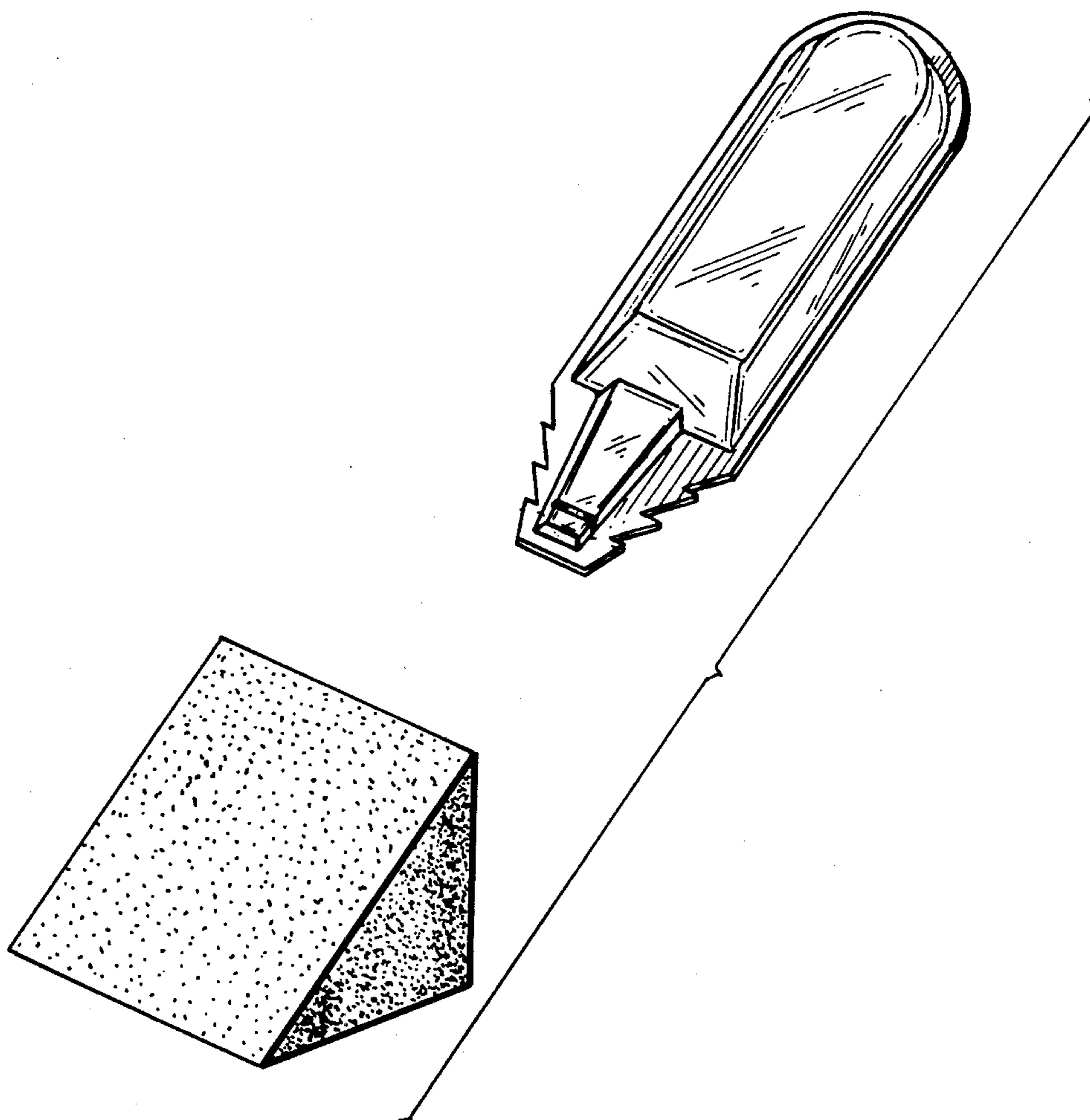


FIG. 1

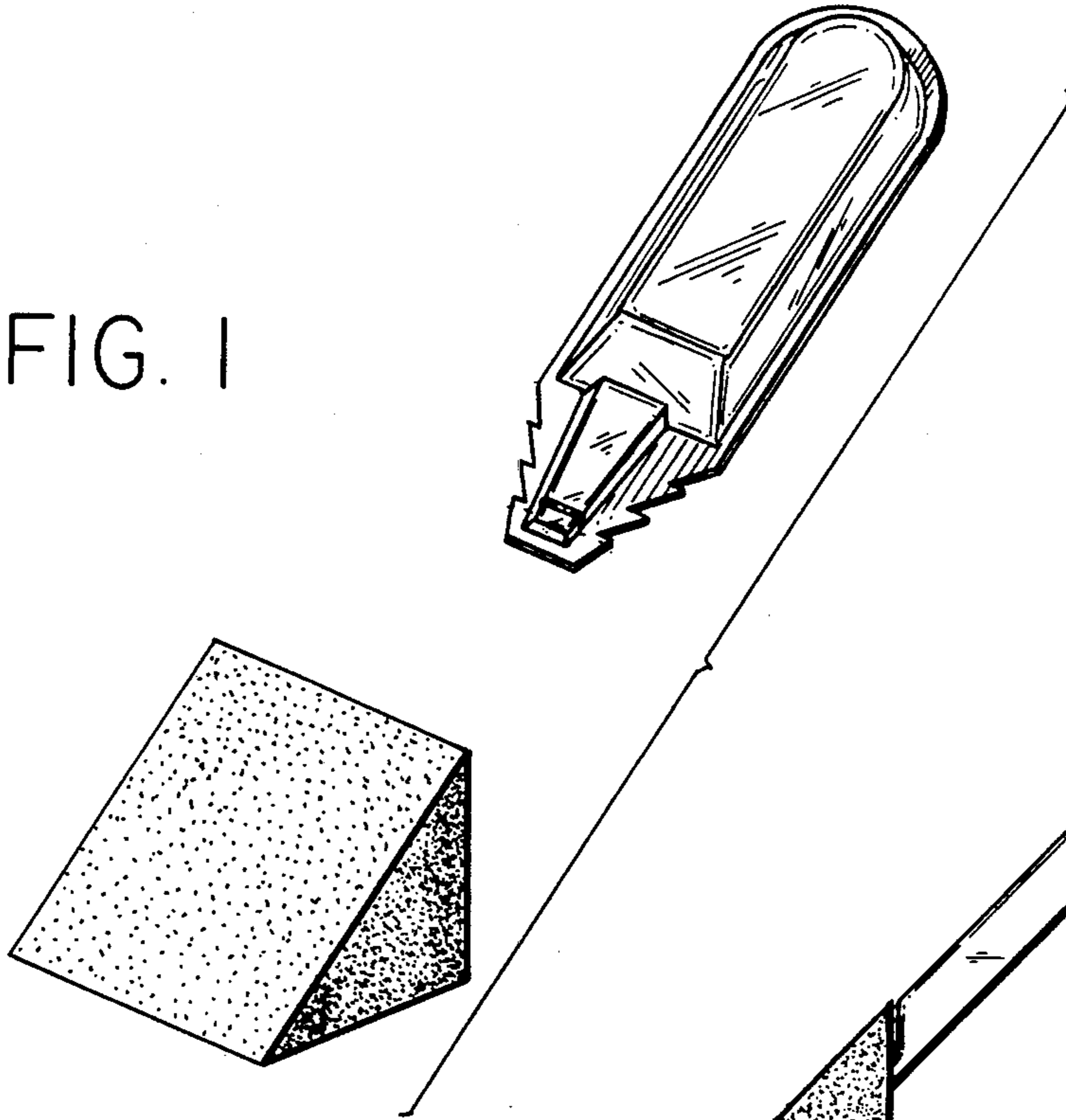


FIG. 2

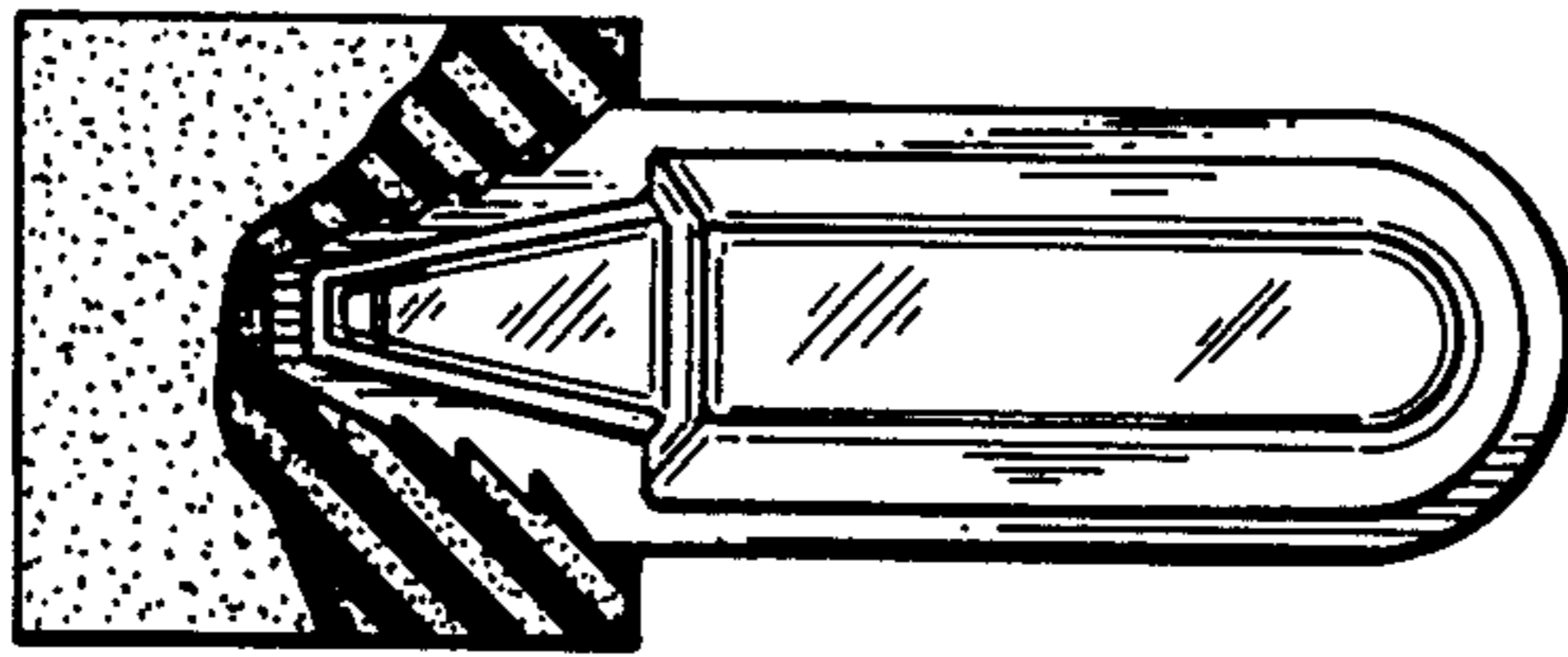
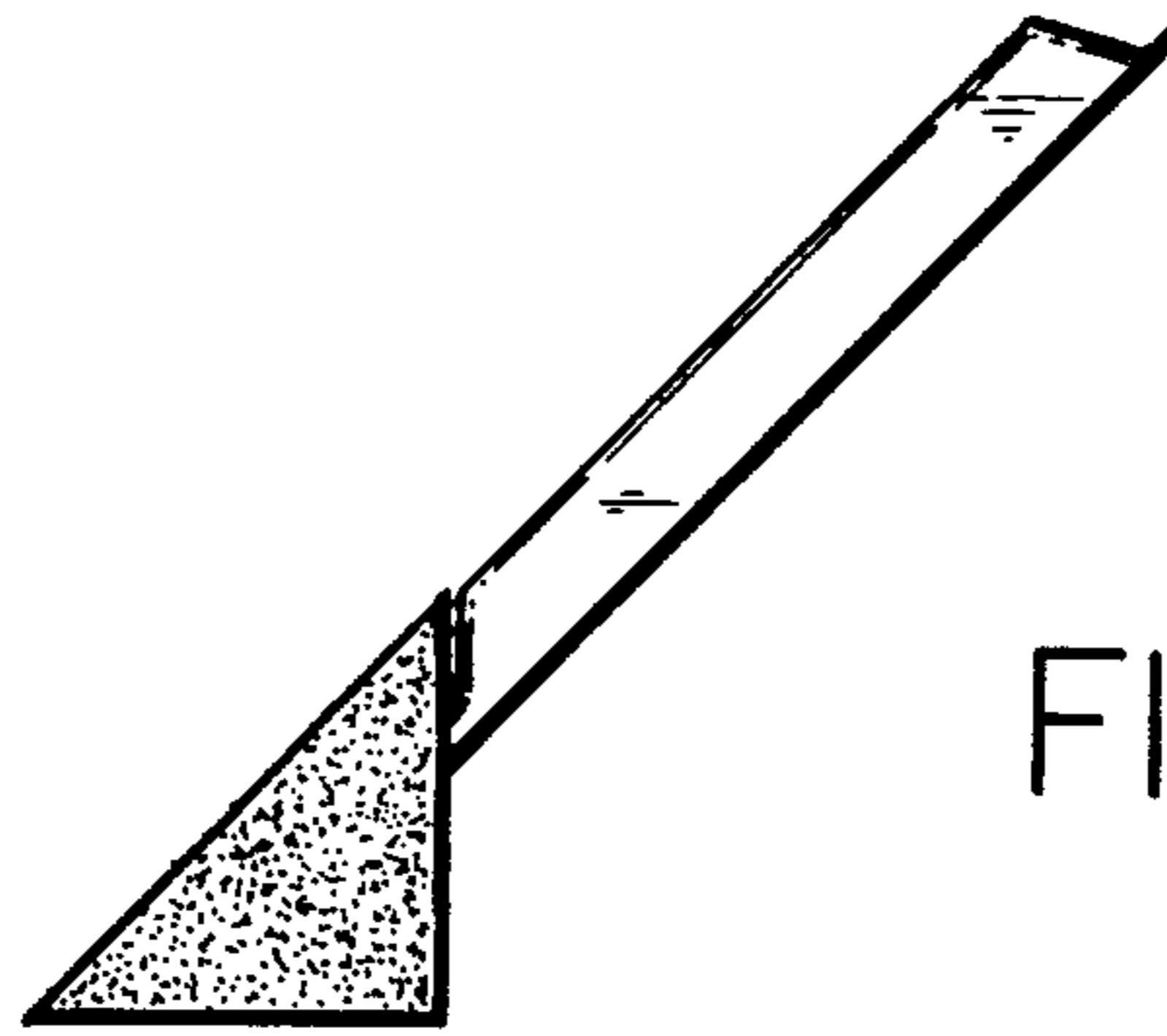


FIG. 3

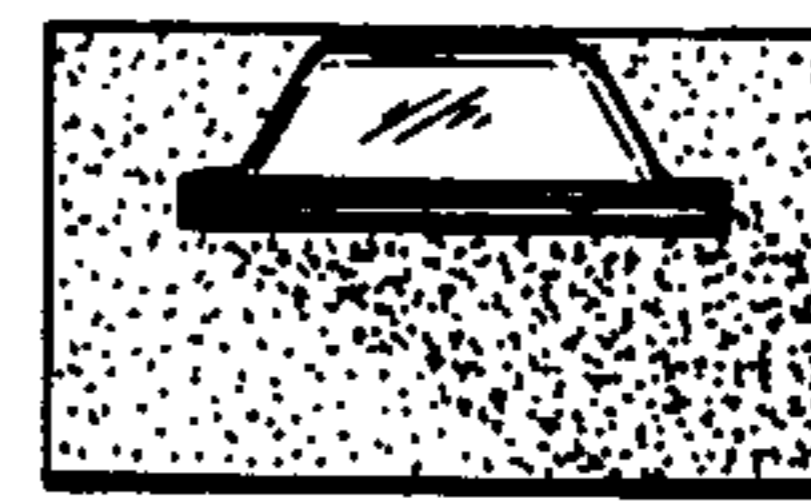


FIG. 4