

[54] PORTABLE COOKING STOVE

[76] Inventor: Ming Kong Chan, 58 Pau Chung St., Tokwawan, Kowloon, Hong Kong

[\*\*] Term: 14 Years

[21] Appl. No.: 585,918

[22] Filed: June 11, 1975

[30] Foreign Application Priority Data

Feb. 21, 1975 United Kingdom ..... 969973/75

[51] Int. Cl. .... D7-04

[52] U.S. Cl. .... D7/110

[58] Field of Search ..... D7/107-110, D7/136; 126/25, 29, 30, 9, 37, 38, 214 R

[56] References Cited

U.S. PATENT DOCUMENTS

1,742,458	1/1930	Yeager .....	126/38
3,478,733	11/1969	Meyerhoefer .....	D7/107 UX
3,485,567	12/1969	Hutchinson et al. ....	126/38 X
3,724,441	4/1973	Finley .....	126/214 R X
D. 227,850	7/1973	Benson .....	D7/110

D. 231,183 4/1974 Avant et al. .... D7/110

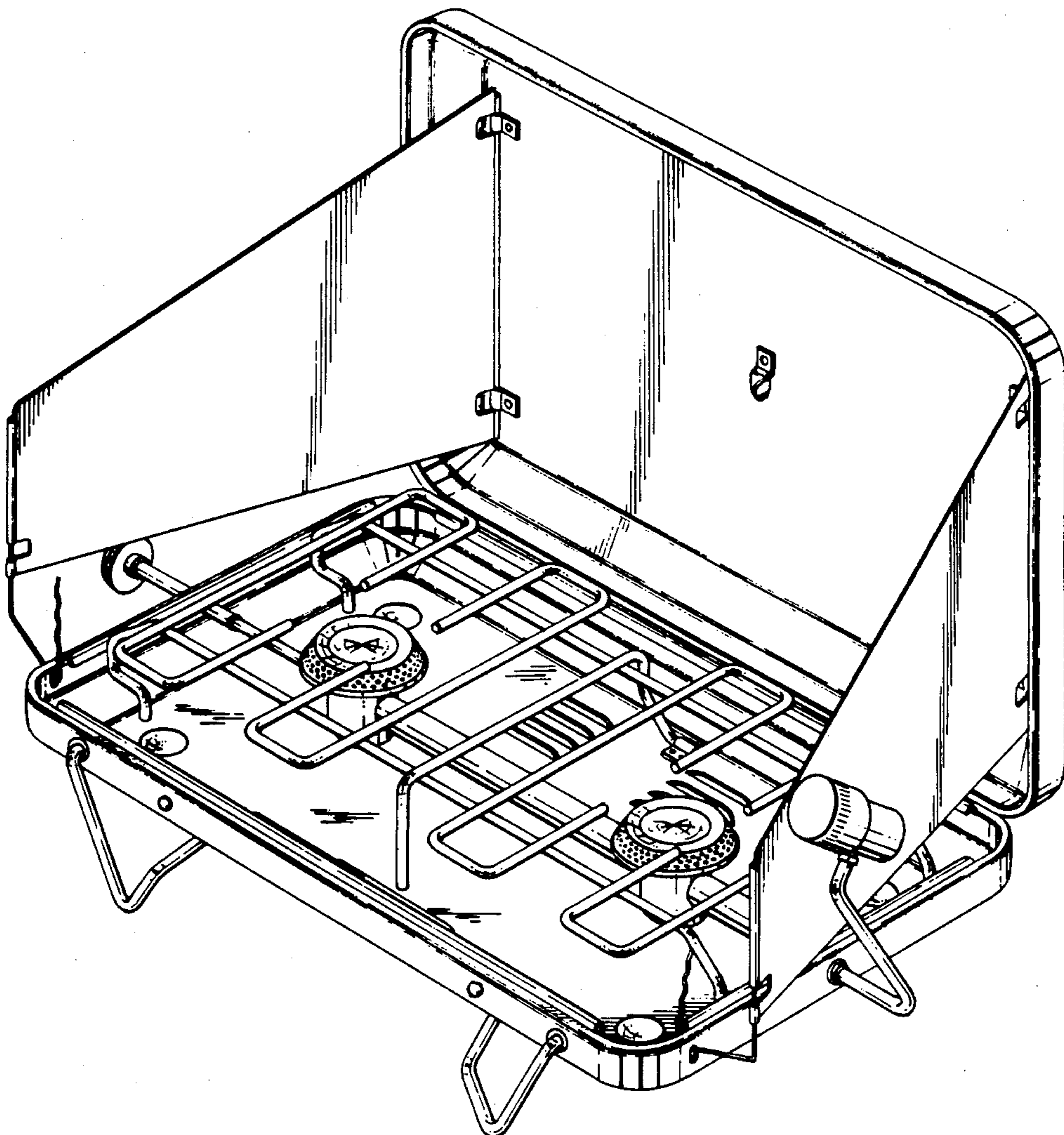
Primary Examiner—Wallace R. Burke  
Assistant Examiner—Catherine Kemper  
Attorney, Agent, or Firm—Neil F. Markva

[57] CLAIM

The ornamental design for a portable cooking stove, substantially as shown and described.

DESCRIPTION

FIG. 1 is a perspective top view of a portable cooking stove showing my new design with the stove being in a closed position;  
FIG. 2 is a bottom plan view thereof;  
FIG. 3 is a front elevational view thereof in an open position;  
FIG. 4 is a top plan view of the stove as shown in FIG. 3;  
FIG. 5 is a side elevational view of the stove as shown in FIG. 3;  
FIG. 6 is an opposite side elevational view of the stove as shown in FIG. 5;  
FIG. 7 is a perspective top view showing the stove in an open position.



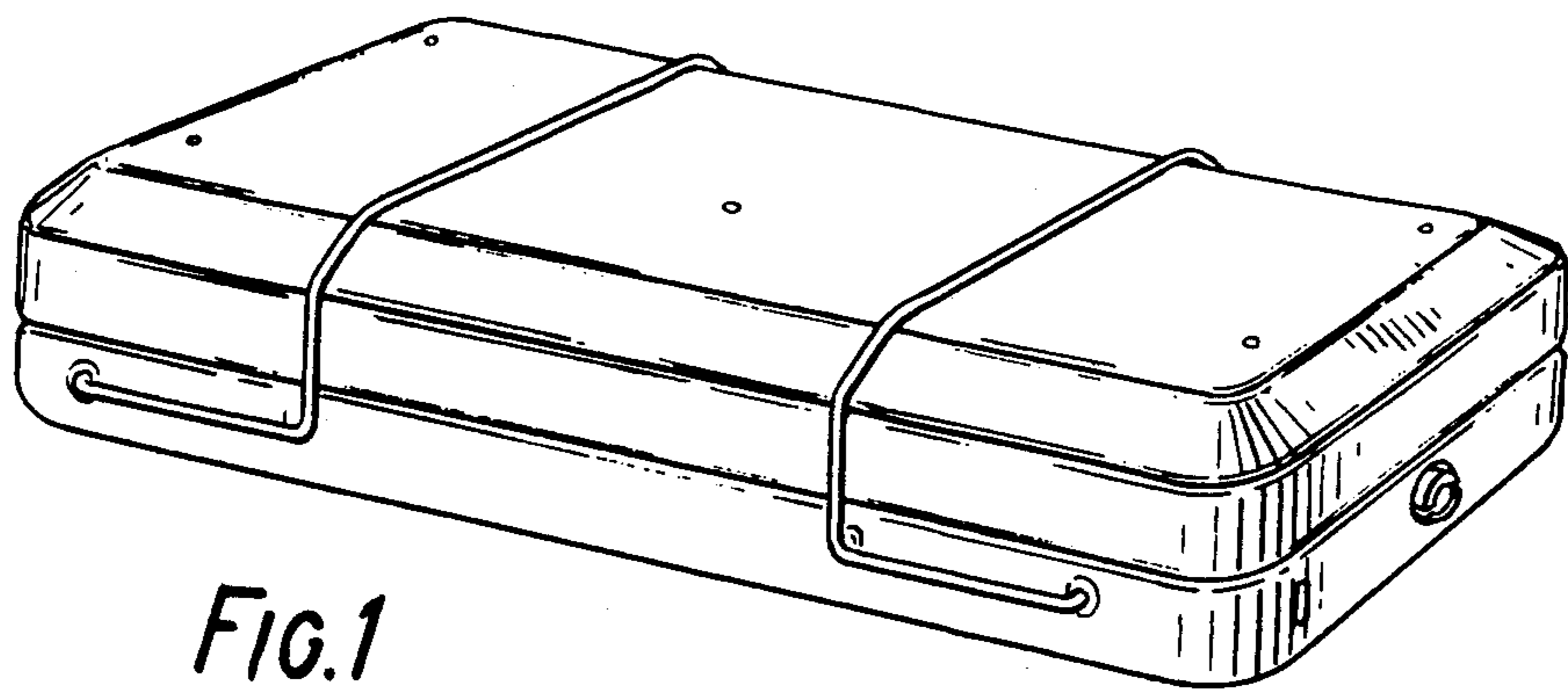


FIG. 1

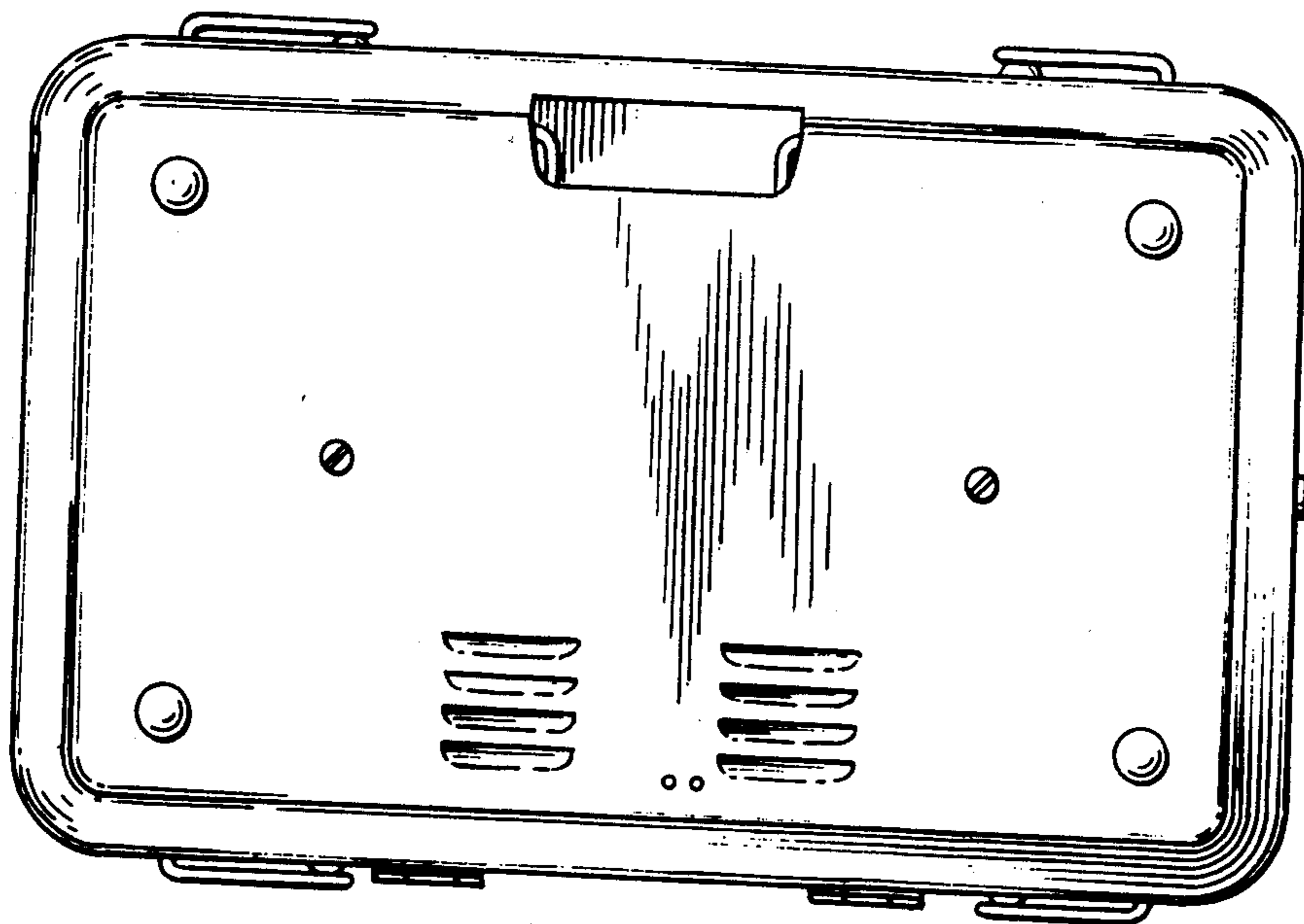
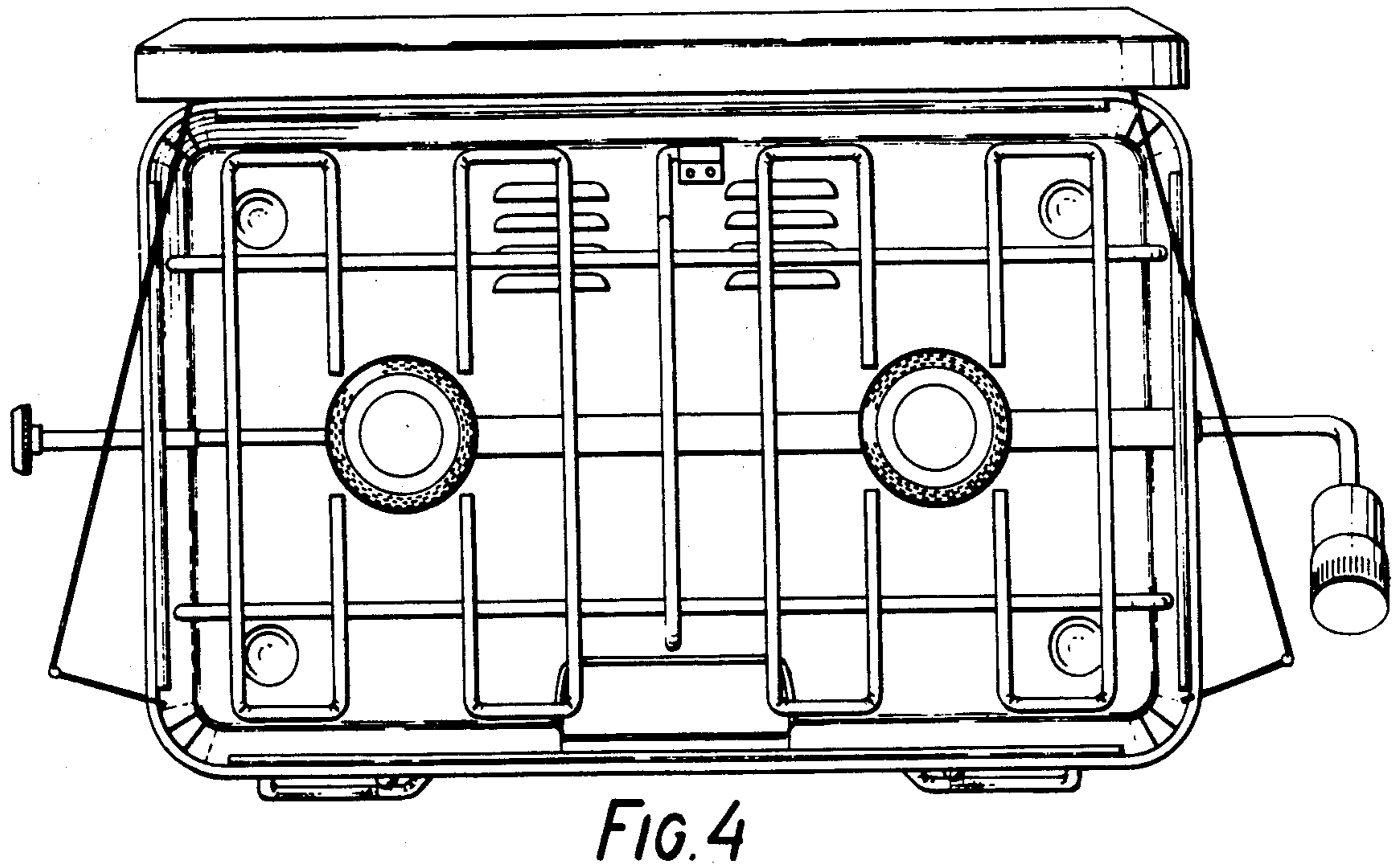
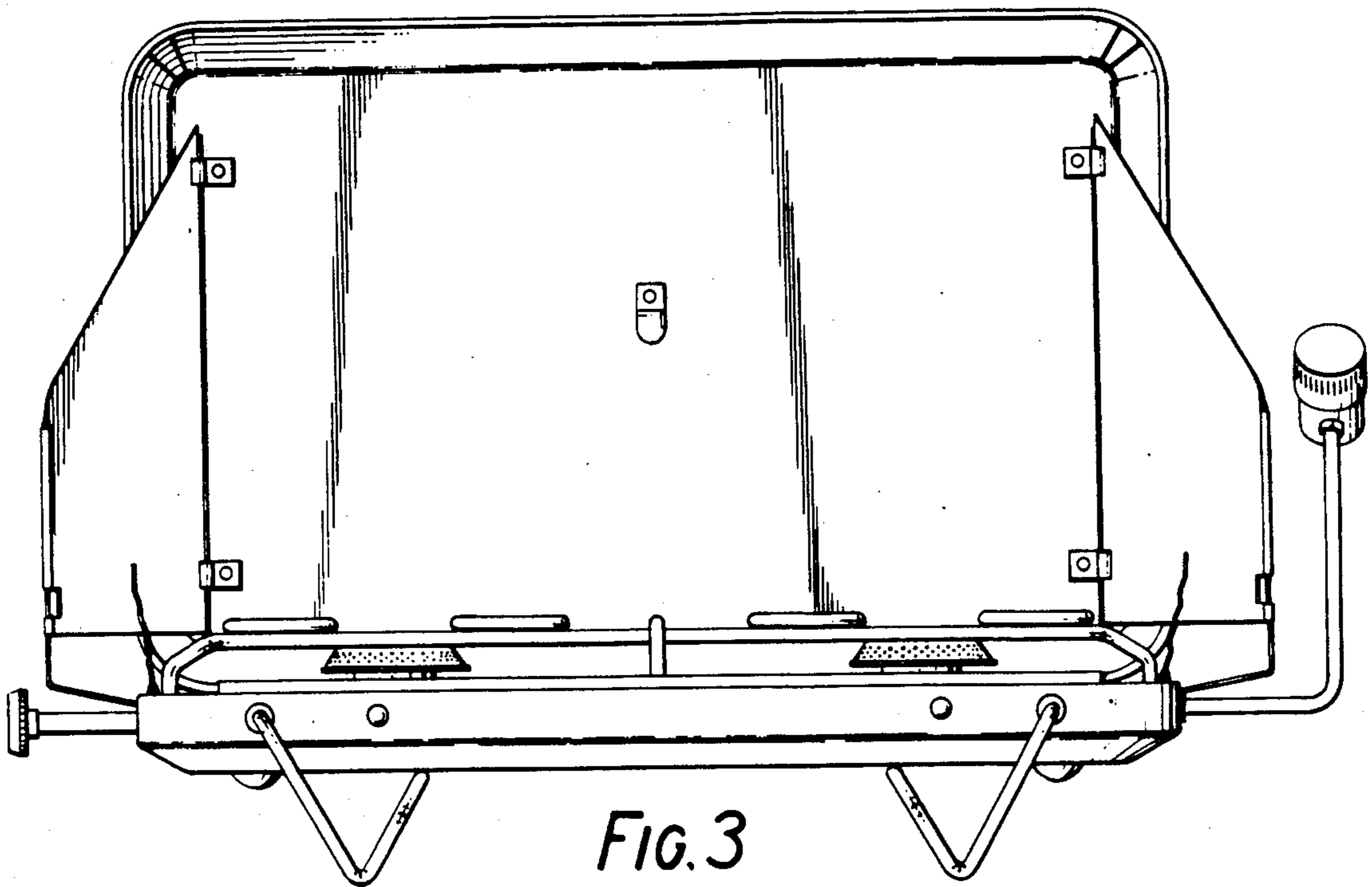


FIG. 2



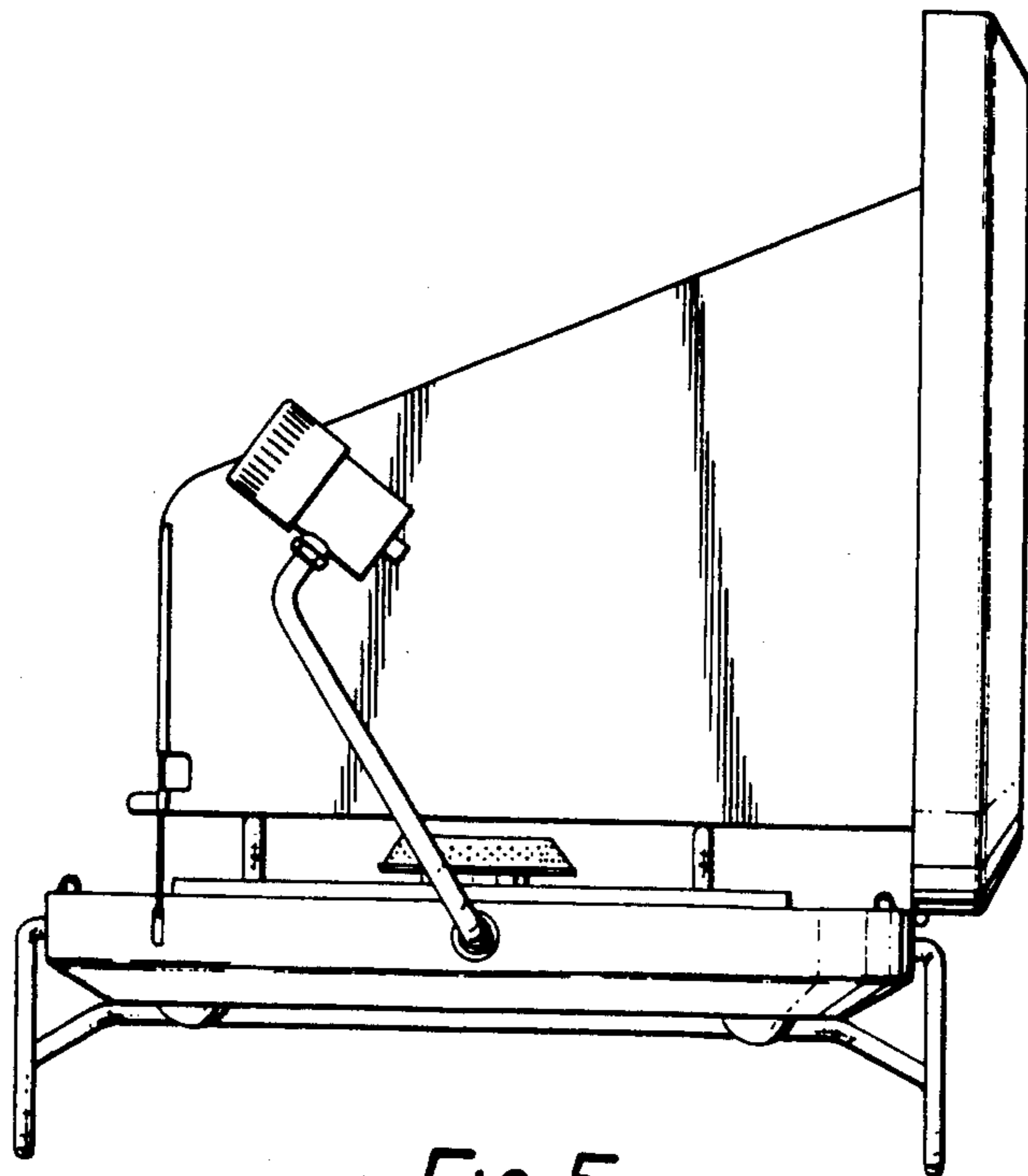


FIG. 5

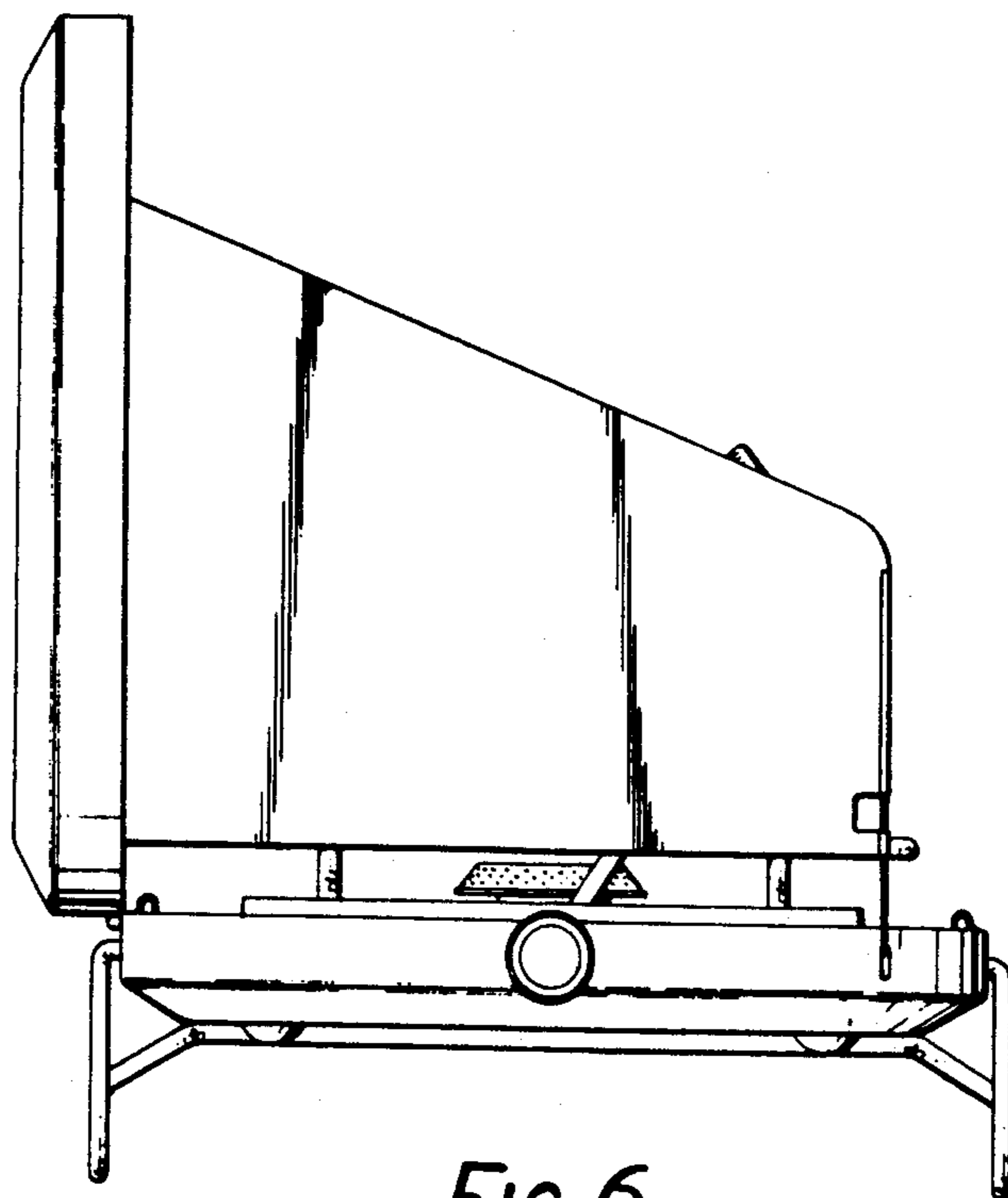


FIG. 6

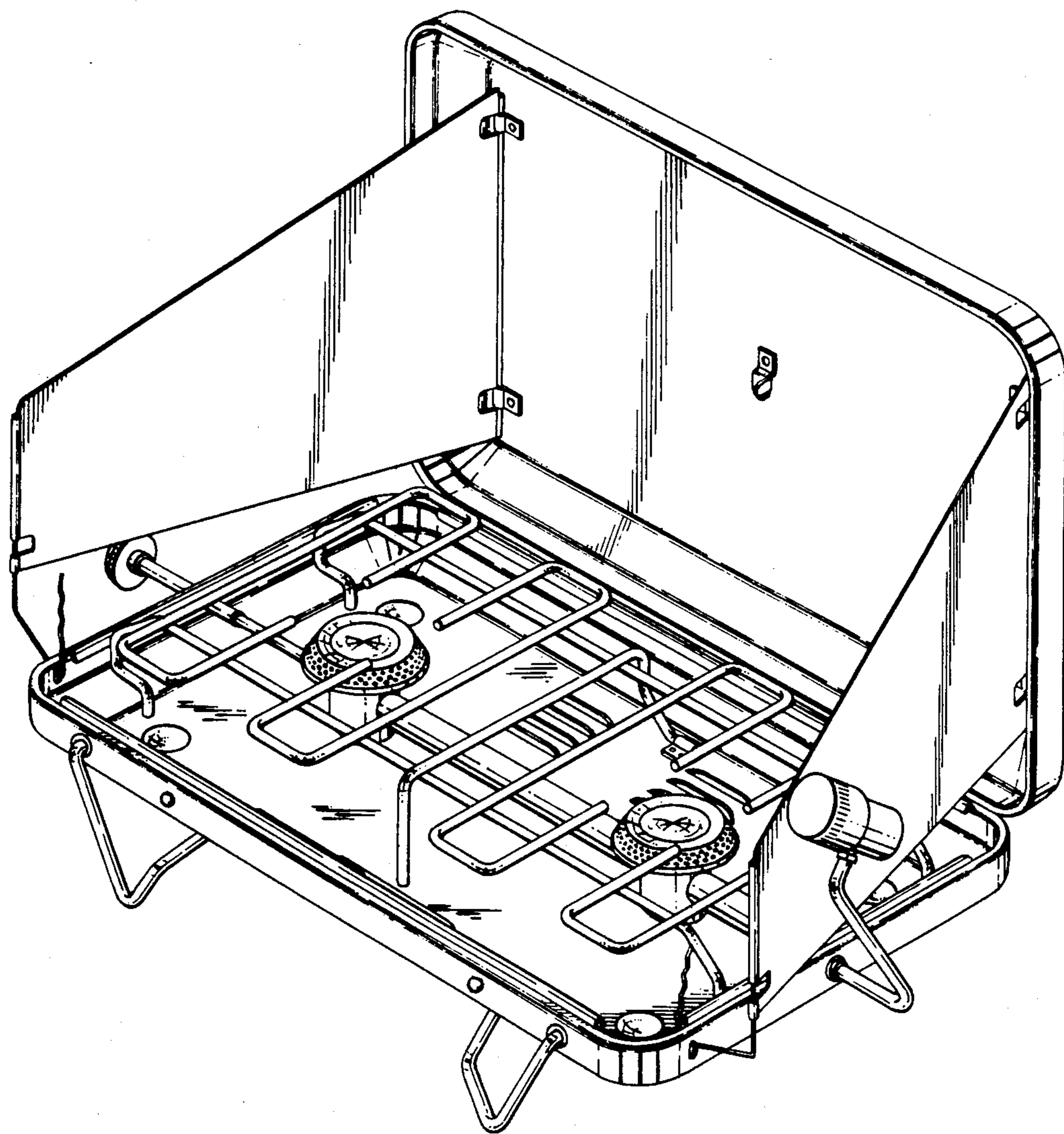


FIG. 7