

[54] **TABLE HAVING AN ADJUSTABLE TOP**

[76] Inventors: **Ellen M. Silvay**, 25A Josham Lane,
Lake Hiawatha, N.J. 07034

[**] Term: **14 Years**

[21] Appl. No.: **607,121**

[22] Filed: **Sept. 10, 1975**

[51] Int. Cl. **D6-03**

[52] U.S. Cl. **D6/179**

[58] Field of Search **D6/177, 178, 179, 85**

[56] **References Cited**

U.S. PATENT DOCUMENTS

2,522,748	9/1950	Claude	D6/177 X
3,241,633	3/1966	Bond et al.	D6/178 X
D. 109,503	5/1938	Schaffer	D6/177
D. 184,828	4/1959	Mitchell	D6/178

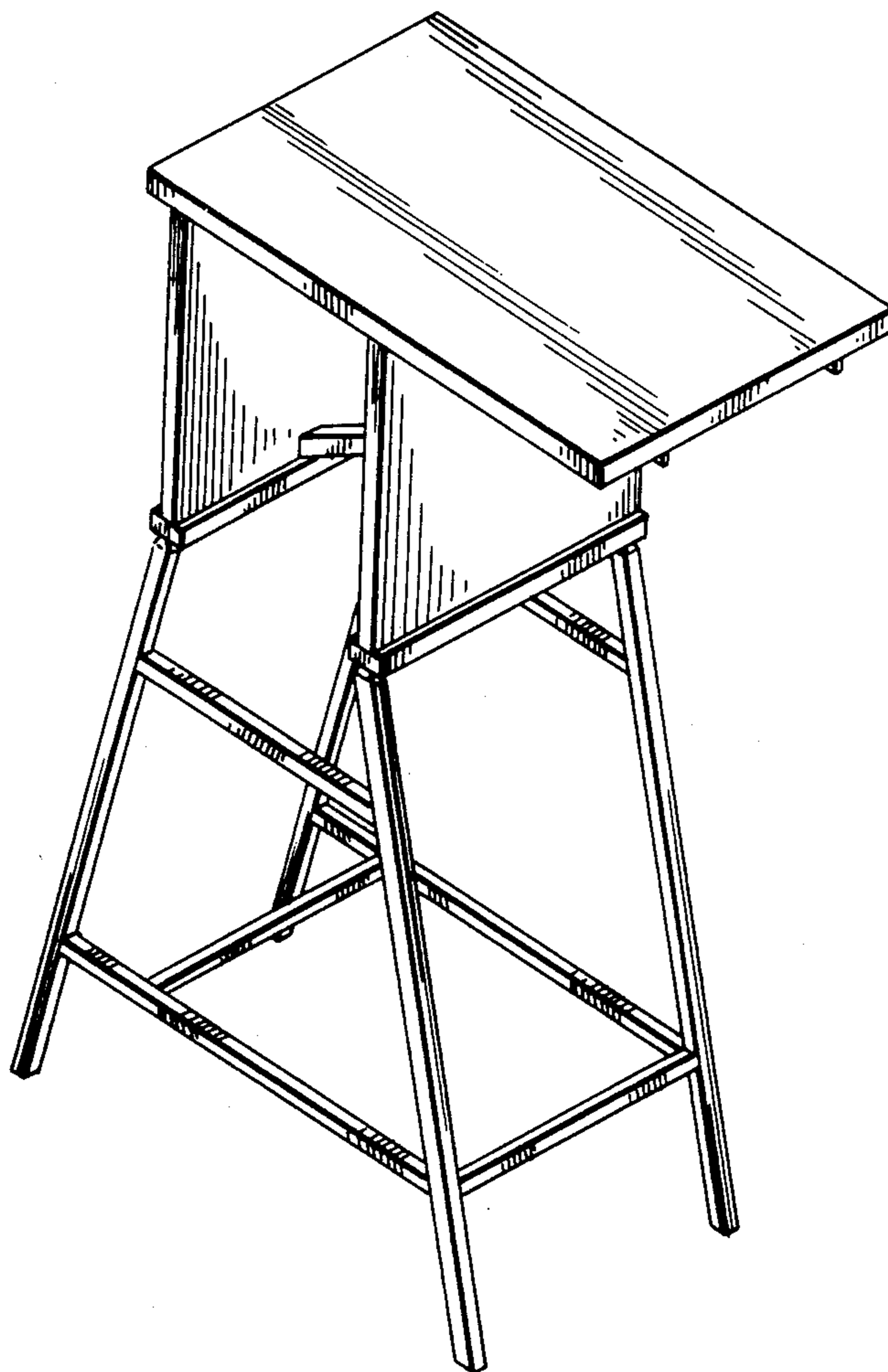
Primary Examiner—Bruce W. Dunkins
Attorney, Agent, or Firm—Robert F. Bischoff, Jr.

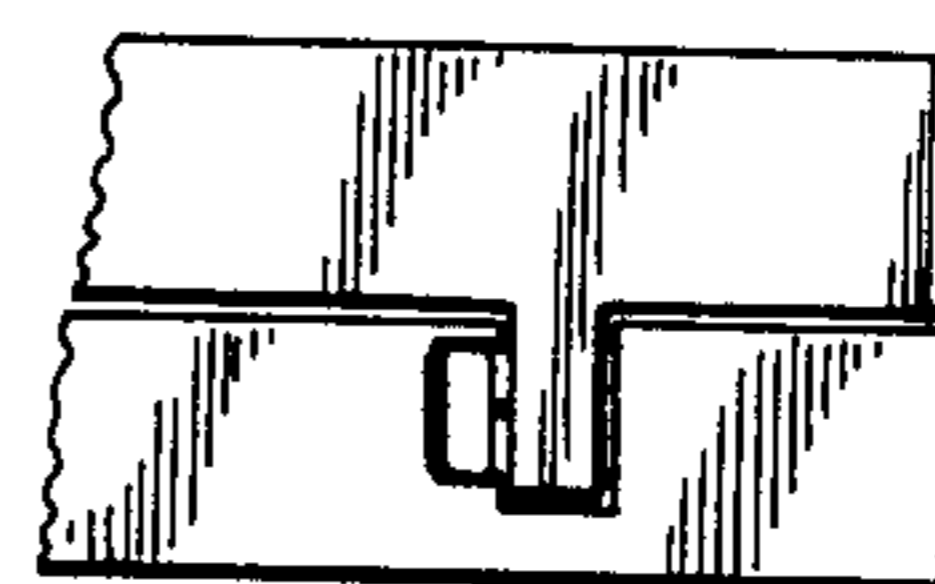
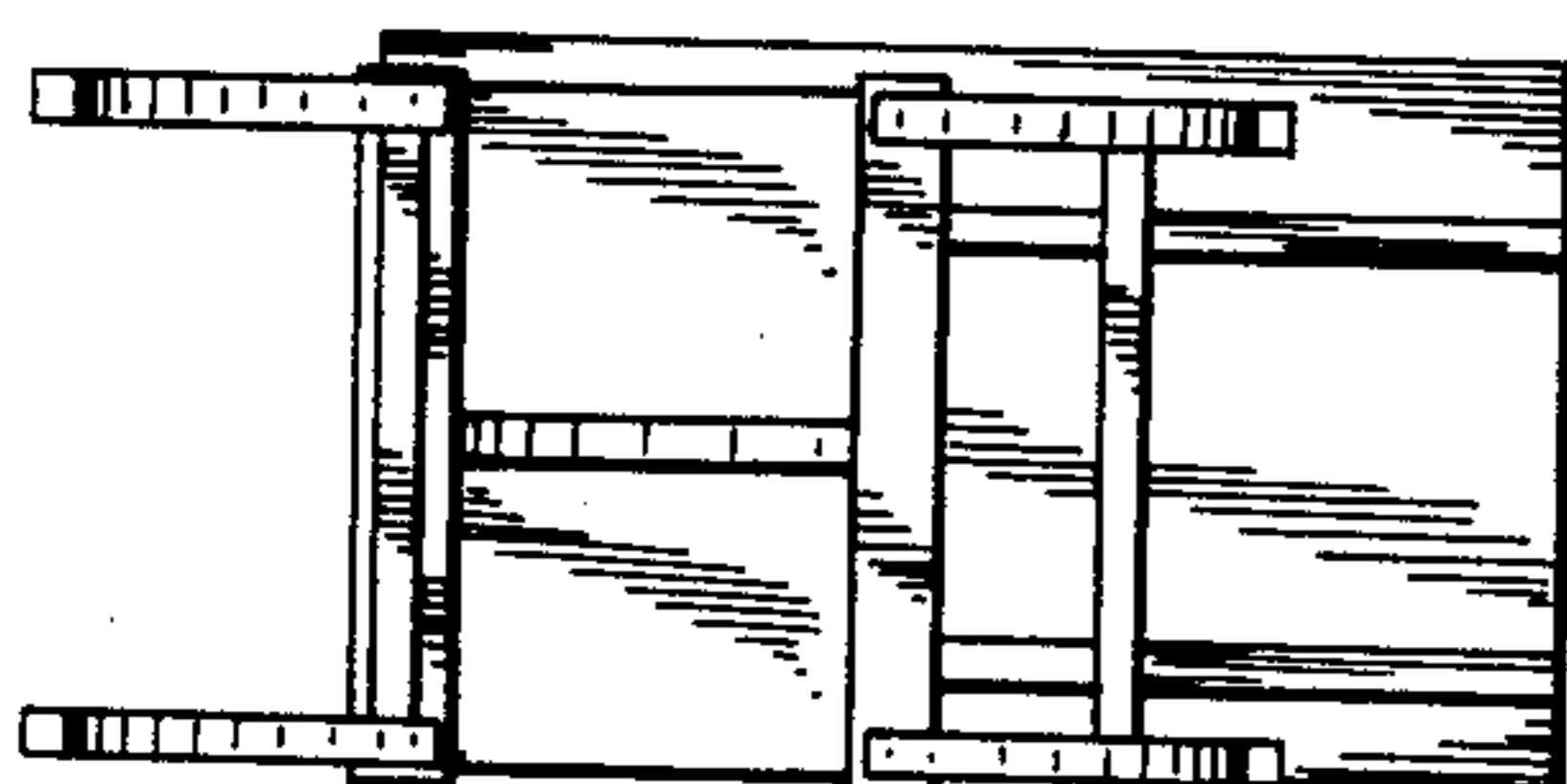
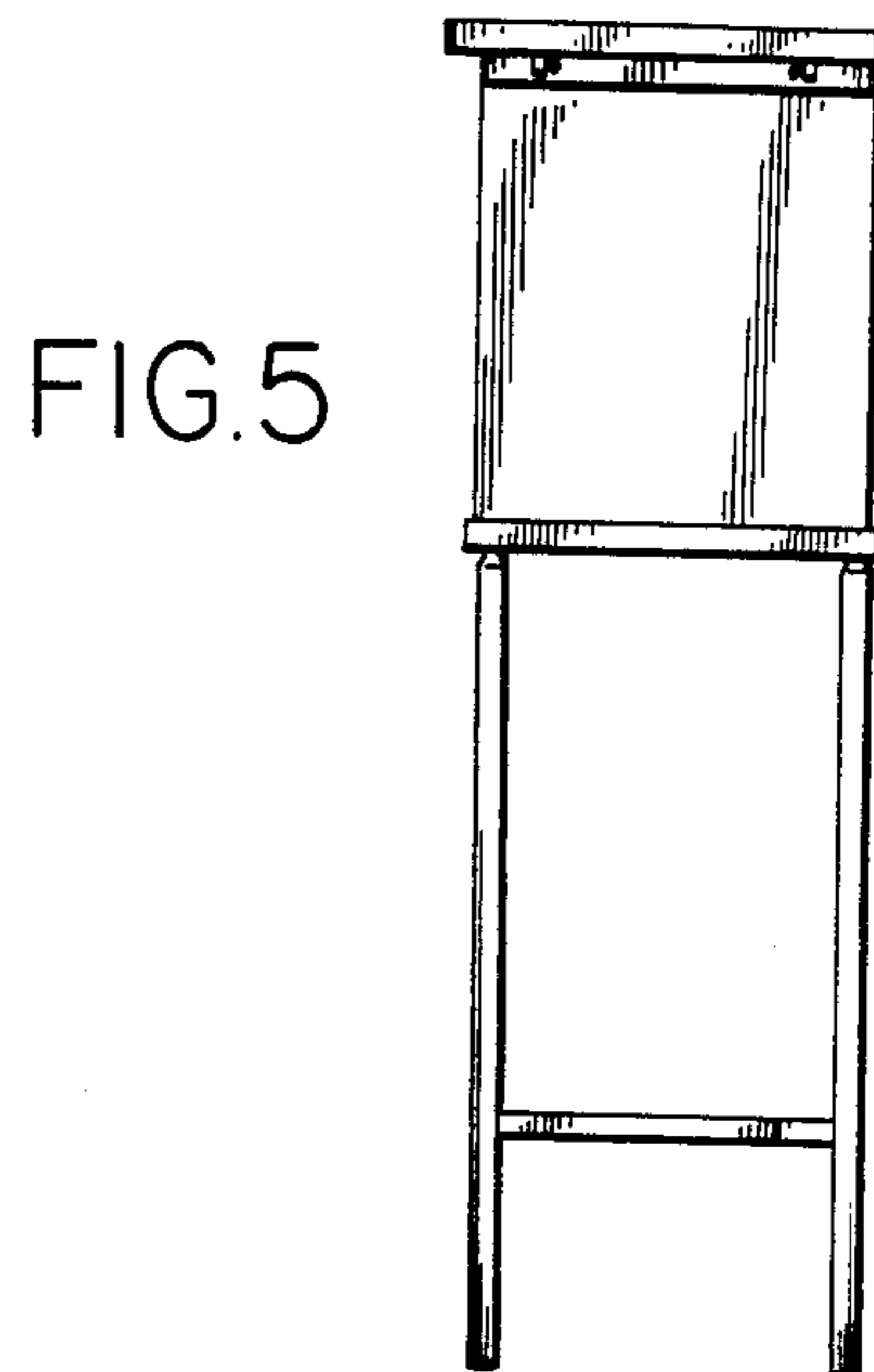
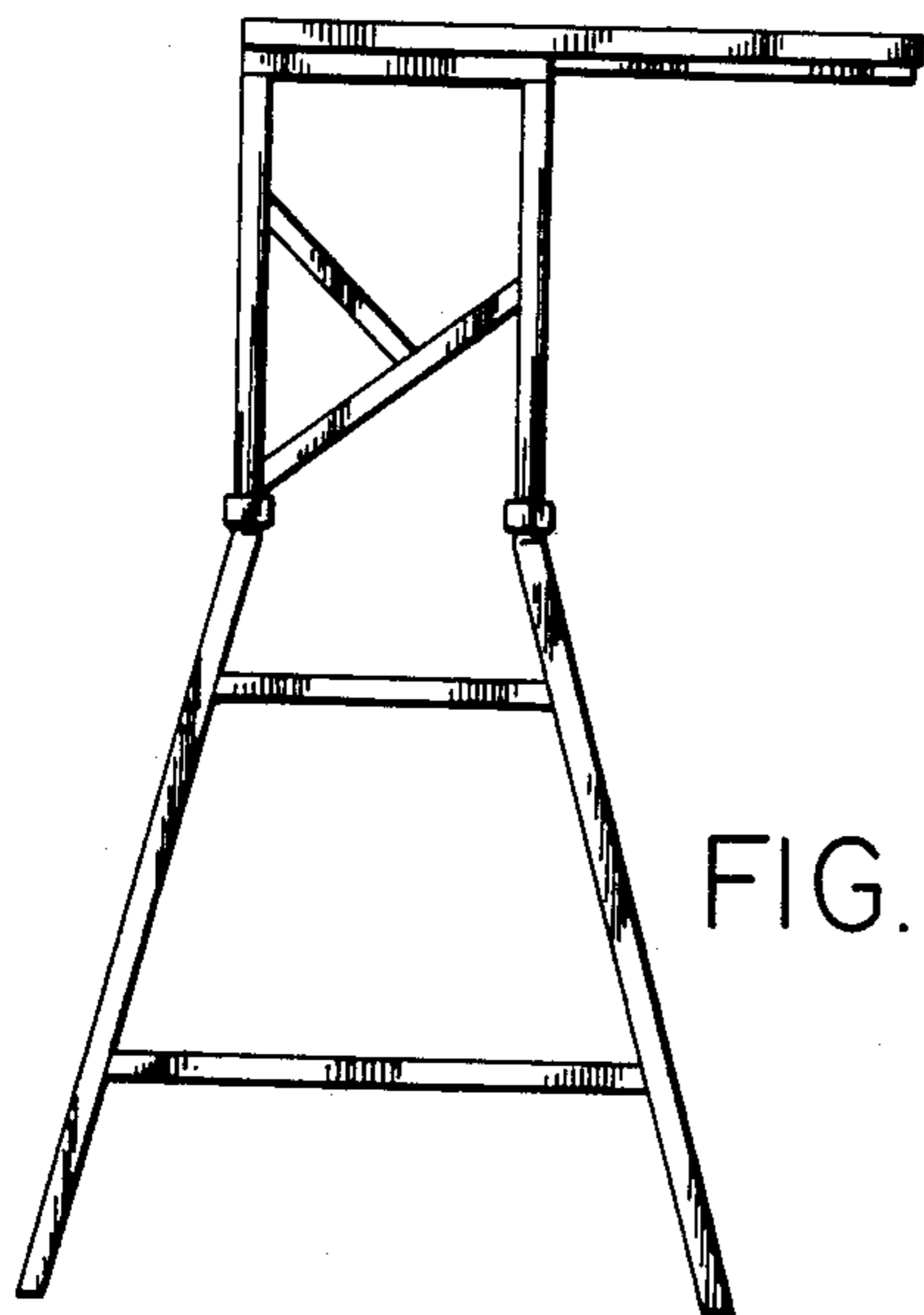
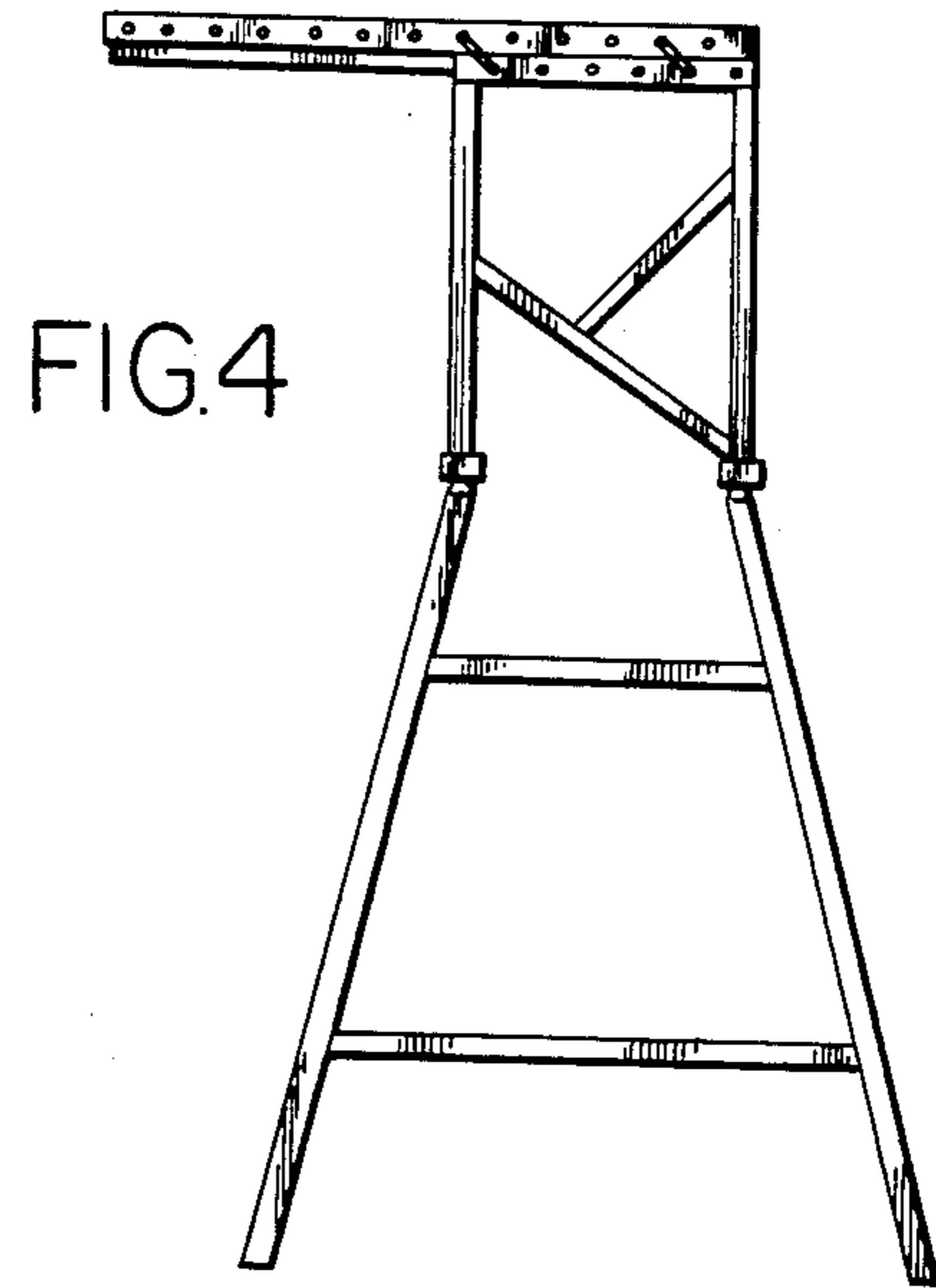
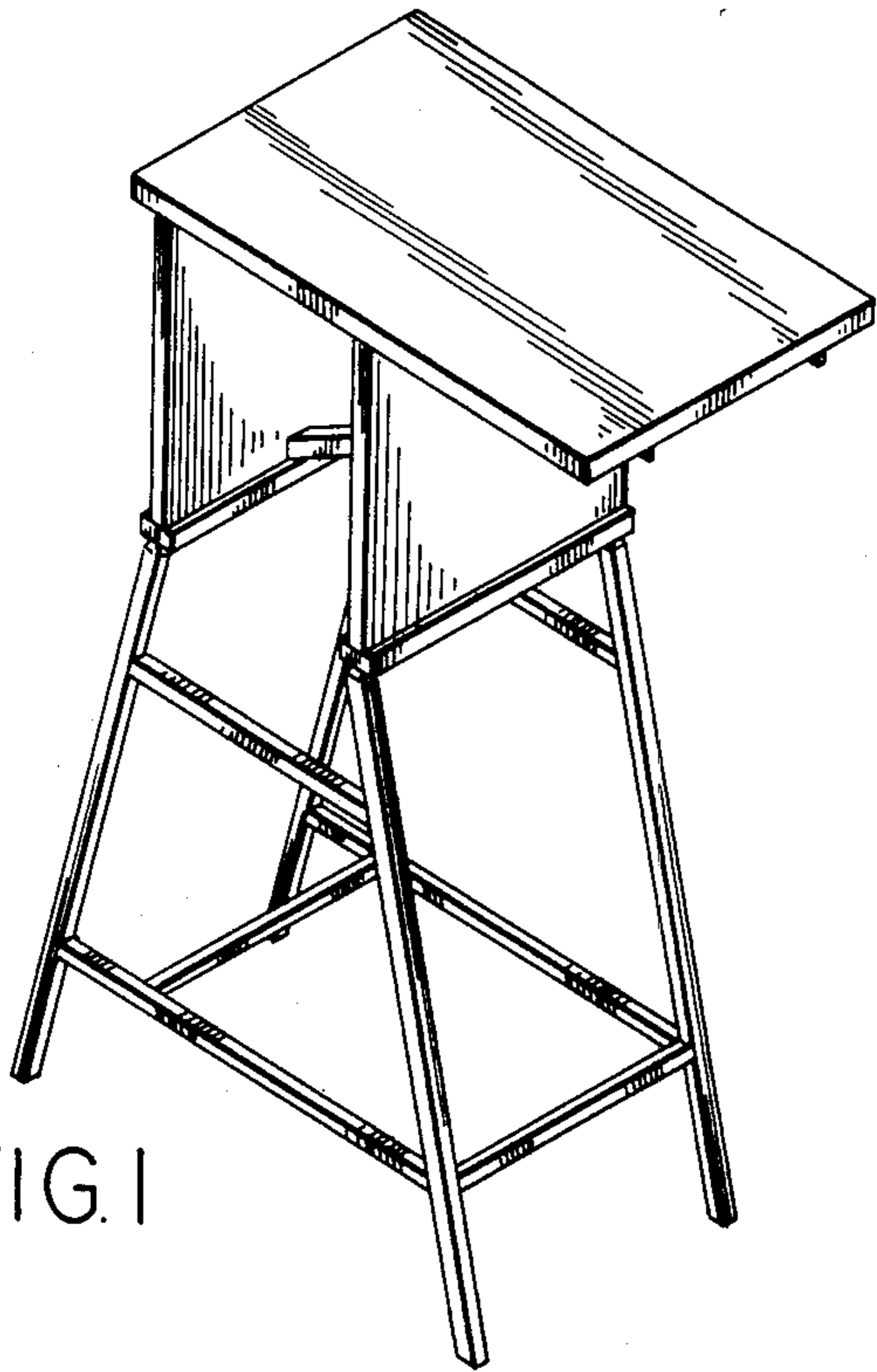
[57] **CLAIM**

The ornamental design for a table having an adjustable top, substantially as shown and described.

DESCRIPTION

FIG. 1 is a perspective view of a table showing our design;
FIG. 2 is a view in front elevation;
FIG. 3 is a bottom plan view;
FIG. 4 is a rear elevational view of the table showing the U-clamps retaining the top in one of its alternate positions;
FIG. 5 is a view in side elevation thereof;
FIG. 6 is a perspective view showing a modified form of the table of FIG. 1 wherein two lower shelves have been added.
FIG. 7 is an enlarged detailed view of the sliding mechanism which allows movement of the table top.





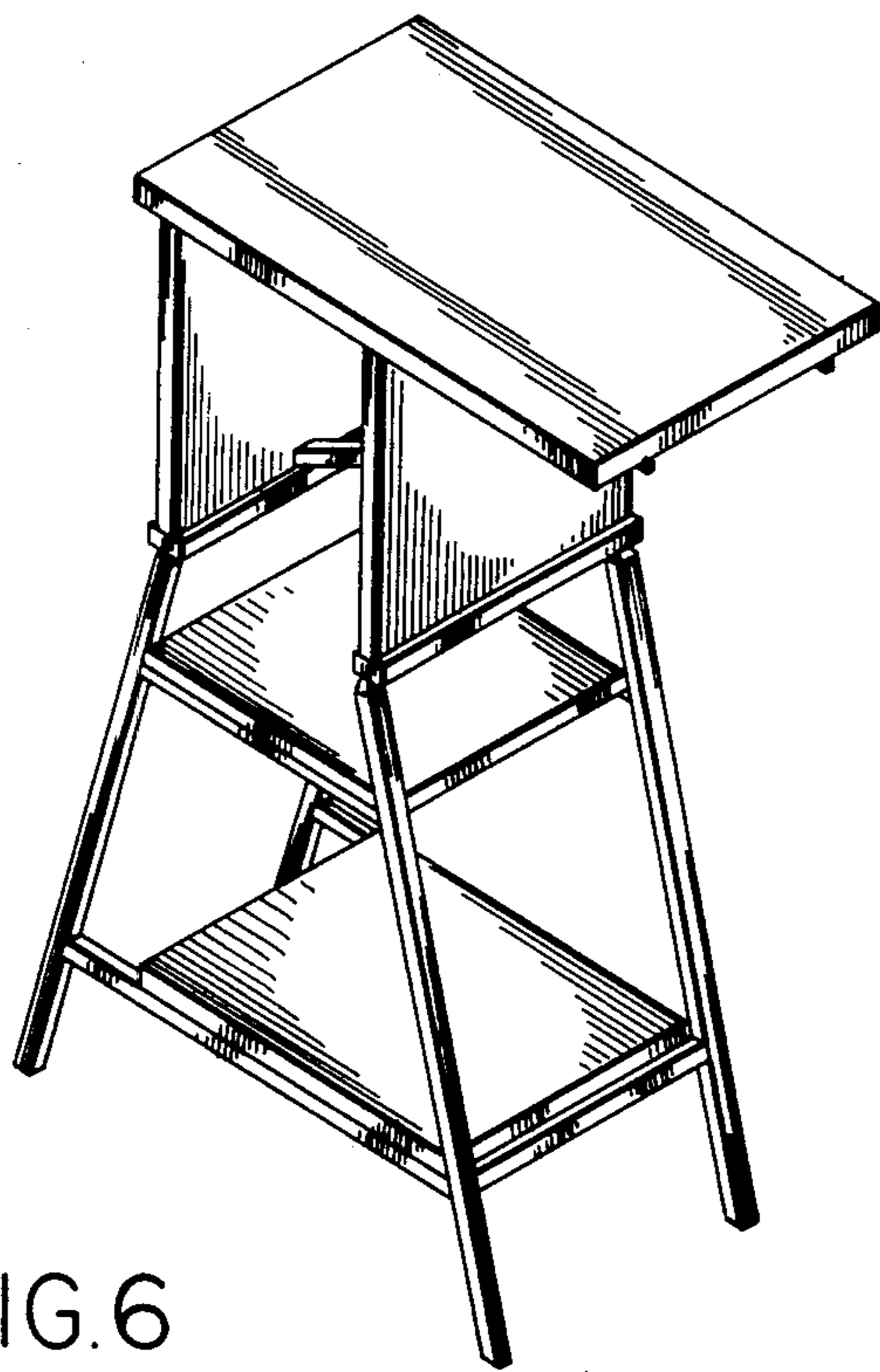


FIG.6