

[54] WALL MOUNTED COMBINED RACK FOR TENNIS RACKETS AND TENNIS BALL CANS

[76] Inventor: Billy W. Allen, 3320 Augusta, Rockwall, Tex. 75087

[\*\*] Term: 14 Years

[21] Appl. No.: 698,179

[22] Filed: June 21, 1976

[51] Int. Cl. .... D6-04

[52] U.S. Cl. .... D6/125

[58] Field of Search ..... D6/85, 88, 113, 114, D6/116-118, 120, 122, 123, 125, 127, 129, 130, 132, 137; 211/13, 40, 60 R, 60 SK, 87

[56] References Cited

U.S. PATENT DOCUMENTS

2,506,897	5/1950	Sheker .....	211/13
3,854,588	12/1974	Kinard .....	211/13
3,858,725	1/1975	Pietrack et al. ....	D6/114

D. 198,349	6/1964	Saunders .....	D6/132
D. 231,167	4/1974	Stap .....	D6/114
D. 238,735	2/1976	Trieschmann .....	D6/114

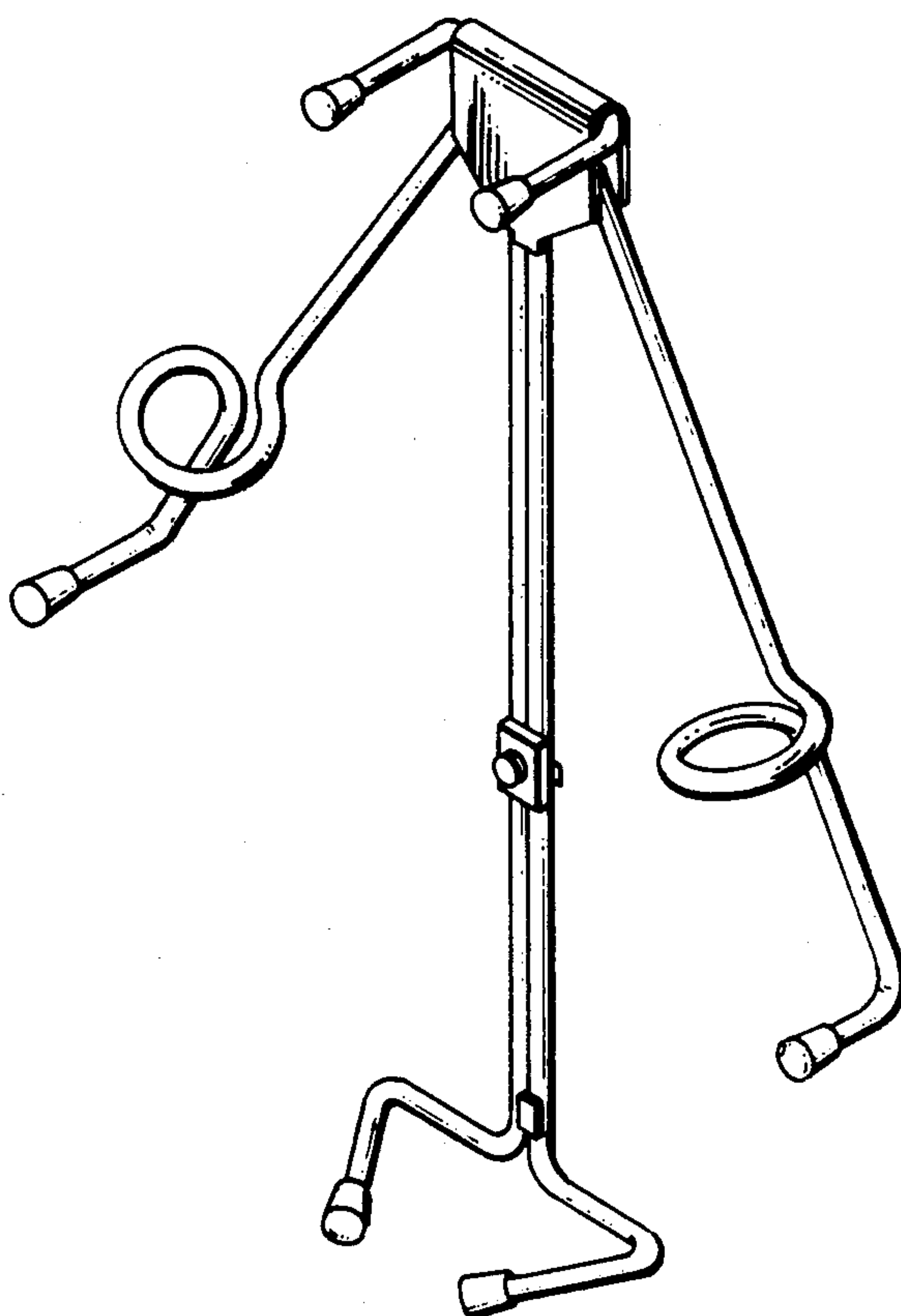
Primary Examiner—Wallace R. Burke  
Assistant Examiner—B. J. Bullock  
Attorney, Agent, or Firm—Jack A. Kanz

[57] CLAIM

The ornamental design for a wall mounted combined rack for tennis rackets and tennis ball cans, substantially as shown.

DESCRIPTION

FIG. 1 is a perspective view of a wall mounted combined rack for tennis rackets and tennis ball cans showing my new design;  
FIG. 2 is a front elevational view thereof;  
FIG. 3 is a side elevational view thereof;  
FIG. 4 is a rear elevational view thereof;  
FIG. 5 is a top plan view thereof; and  
FIG. 6 is a bottom plan view of the wall mounted combined rack for tennis rackets and tennis ball cans.



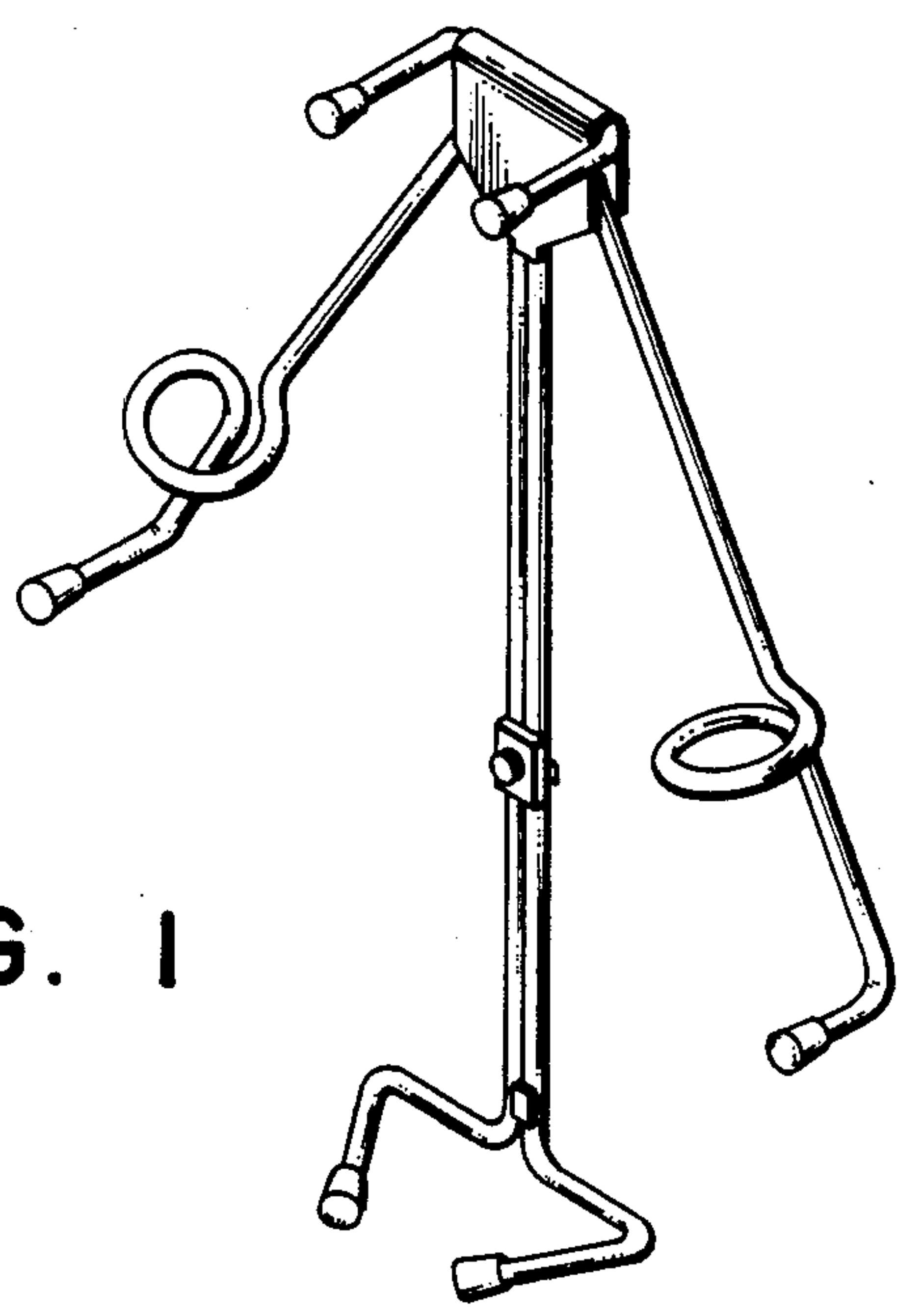


FIG. 1

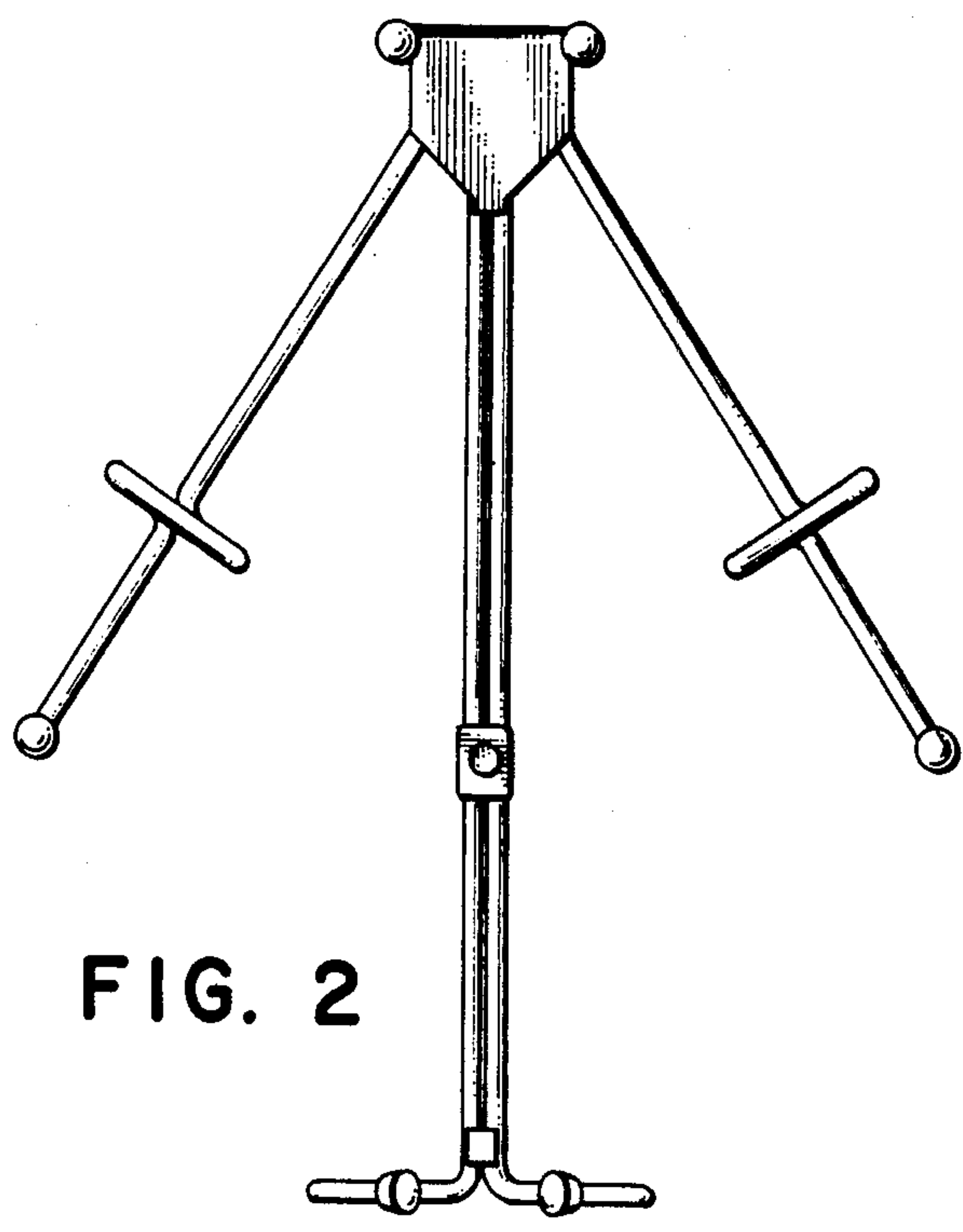


FIG. 2

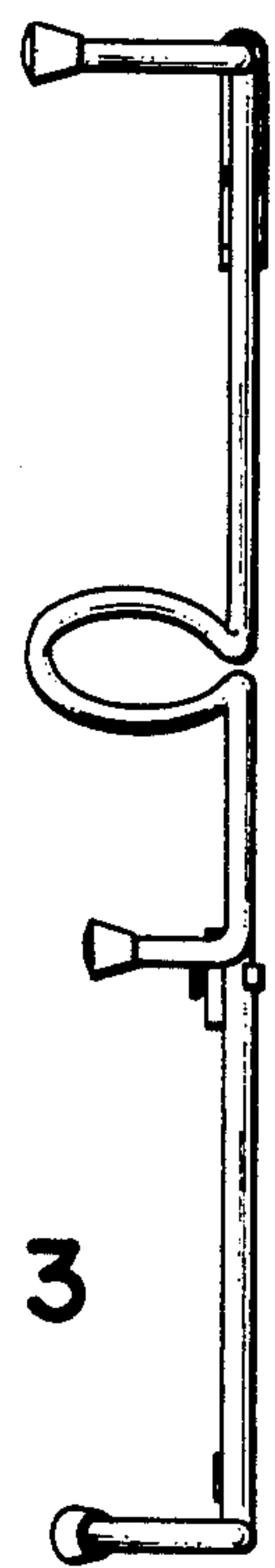


FIG. 3

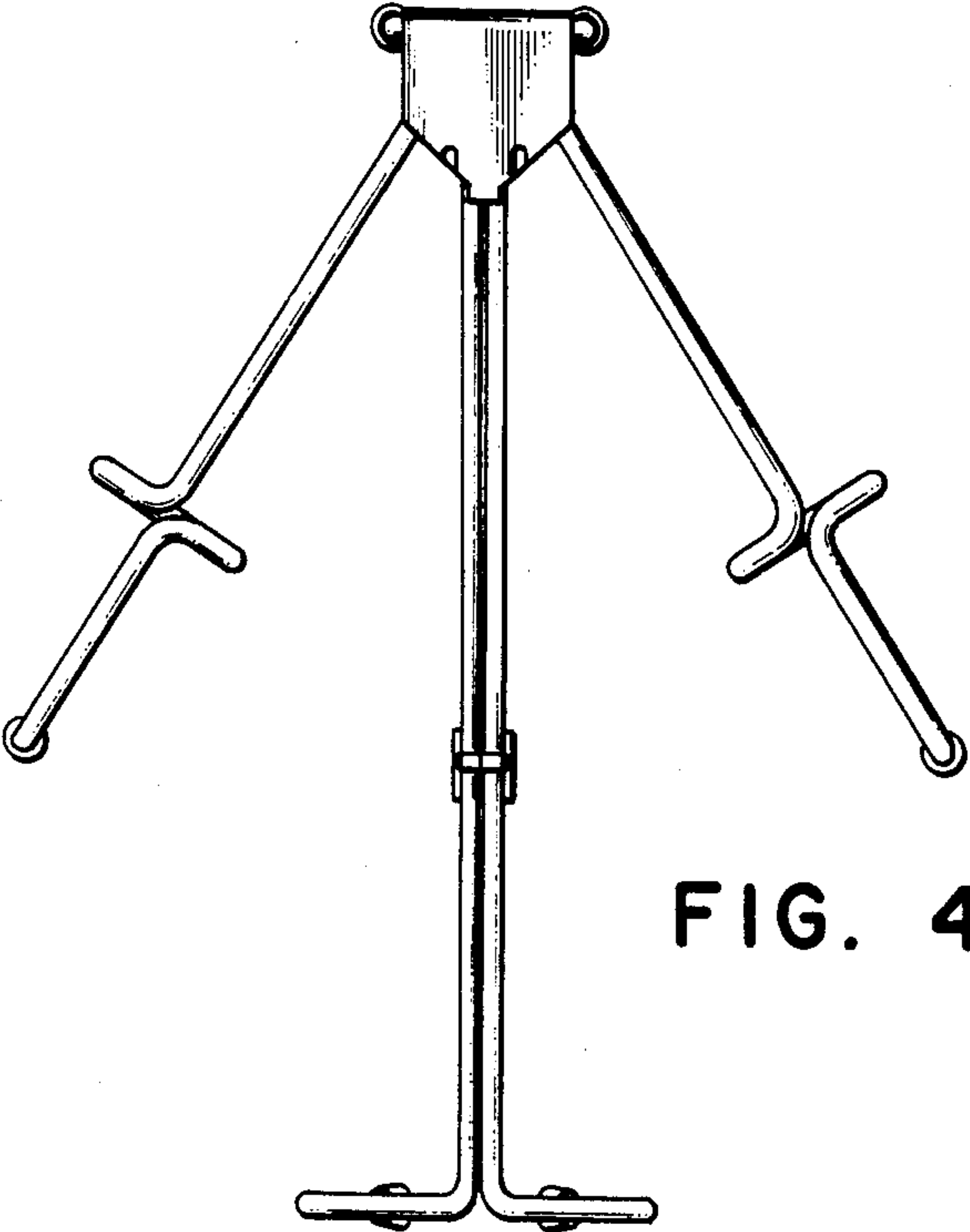


FIG. 4

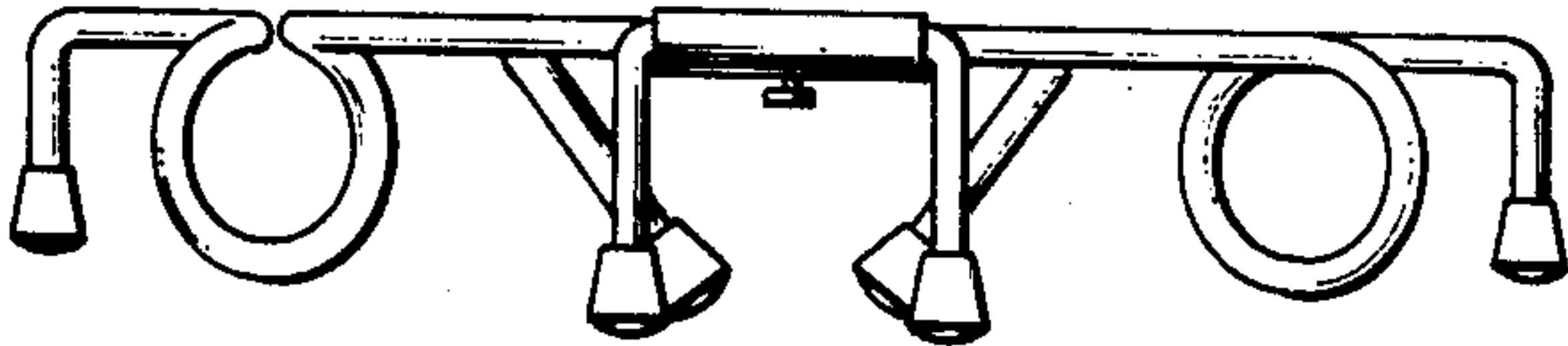


FIG. 5

FIG. 6

